



Type Document	Crimp Specification	Revised /Edition	A
Date Issued:	2014/04/08	Data Revised:	2014/04/08
Subject: 1201T-PV01 1.20mm Pitch Wire to Board Series Terminal.			Issued By: Engineering Dept.

Description:

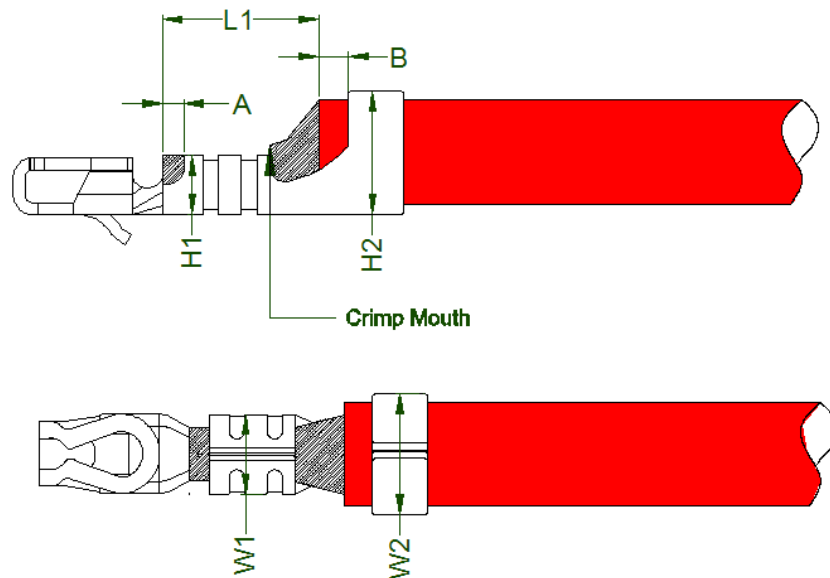
Height and width of crimped core should be set as required.

(Crimped height and width of wire barrel)

According to the external diameter and the type of electric wire, the width of crimped sheath shall be adjusted wire won't be easily taken off from contact nor too much crimped.

(Crimped width of insulation barrel)

Position Graph:



Note:

1. Conductor crimp width. W1
2. Conductor crimp height. H2
3. Insulator crimp width. W1
4. Insulator crimp height. W2
5. Conductor wire shall be dimension long (mm) out A.
6. Naked part of sheathed wire must be located in the vicinity of center B.
7. The Crimp mouth must be equipped like Shell.



Type Document	Crimp Specification	Revised /Edition	A
Date Issued:	2014/04/08	Data Revised:	2014/04/08
Subject: 1201T-PV01 1.20mm Pitch Wire to Board Series Terminal.			Issued By: Engineering Dept.

Requirement:

Subject: UL 1571 or UL3302 and equivalent type electric wire					
AWG#	Conductor (mm ²)		Insulation Diameter	Insulator skins length	Dim. L (mm) out
#30~#28	0.05~0.09mm ²		0.5~0.70mm	1.0~1.2mm	0.2~0.4mm
Wire Gauge (AWG#)	Conductor Crimp Area		Insulator Crimp Area		Terminal Tensile Strength
	Width(W1)	Height(H1)	Width(W2)	Height(H2)	
#28	0.60~0.70mm	0.40~0.50mm	0.80mm Max	0.60~0.70mm	1.0Kgf
#30	0.60~0.70mm	0.30~0.40mm	0.80mm Max	0.50~0.60mm	0.5Kgf

Remarks:

Unlike equipments and crimp reel molds skill facility or not shall be difference to result in dissimilar.

Signature: BAOK ENG
Dongguan SWB CONNECTOR CO.,LTD.