

■ Specifications :

- Voltage rating: 50V AC / DC
- Current rating: 1A AC / DC
- Withstanding voltage: 250V AC/minute
- Temperature range: -25°C~+85°C
- Insulation resistance: ≥100MΩ
- Contact resistance: ≤10mΩ
- After environmental testing: ≤20mΩ

1259 H V -XX X-N0 XX

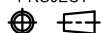
① ② ③ ④ ⑤ ⑥ ⑦

- ① Series No.
- ② Category: H-HSG
- ③ Welding Board Angle: V-Straight 180°
- ④ Row No.-Pin No.: XX-02P~15P
- ⑤ Plug the Pin & Special N0.
- ⑥ Material: N0-PA66 94V-0
- ⑦ Color: Blank-Natural Color

Poles	Dimensions(mm)		Poles	Dimensions(mm)	
	A	B		A	B
02	1.25	3.05	09	10.00	11.80
03	2.50	4.30	10	11.25	13.05
04	3.75	5.55	11	12.50	14.30
05	5.00	6.80	12	13.75	15.55
06	6.25	8.05	13	15.00	16.80
07	7.50	9.30	14	16.25	18.05
08	8.75	10.55	15	17.50	19.30

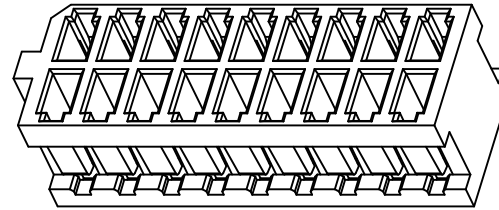
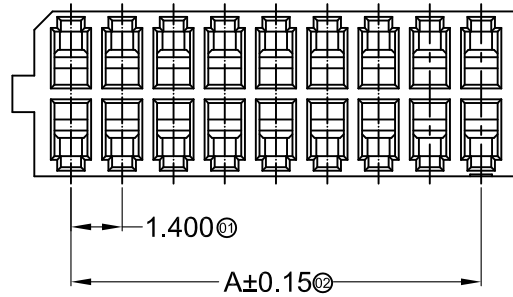
1259HV-XX-N0	Nylon 66 UL 94V-0	1259BT
PART N0	Material	Suitable ADZL Terminal

DATE	OLD REV	NEW REV	ECN	DESCRIPTION	CHECK	APPROVAL

GENERAL TOLERANCE	X ±0.30
	.XX ±0.20
	.XXX ±0.10
PROJECT	

 思量连接器有限公司 ADZL CONNECTORS CO.,LTD			
APPROVAL	CHECK	DRAWN	DATA
Ken	Wisely He	Allen	2014/06/06

PART NO. 1259HV-XX-N0			
TITLE 1.25mm Board In Connectors			
UNIT MM	SCALE 1:1	NUMBER A-080	REV B



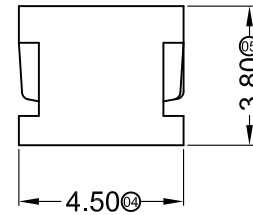
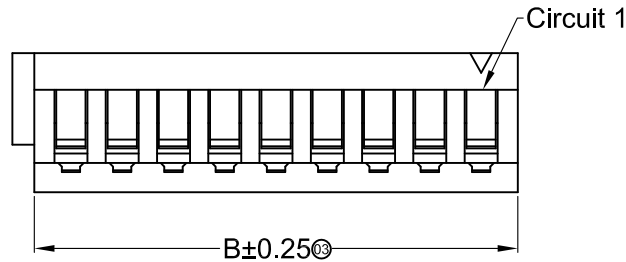
■ Specifications :

- Voltage rating: 50V AC / DC
- Current rating: 1A AC / DC
- Withstanding voltage: 250V AC/minute
- Temperature range: -25°C~+85°C
- Insulation resistance: ≥100MΩ
- Contact resistance: ≤10mΩ
- After environmental testing: ≤20mΩ

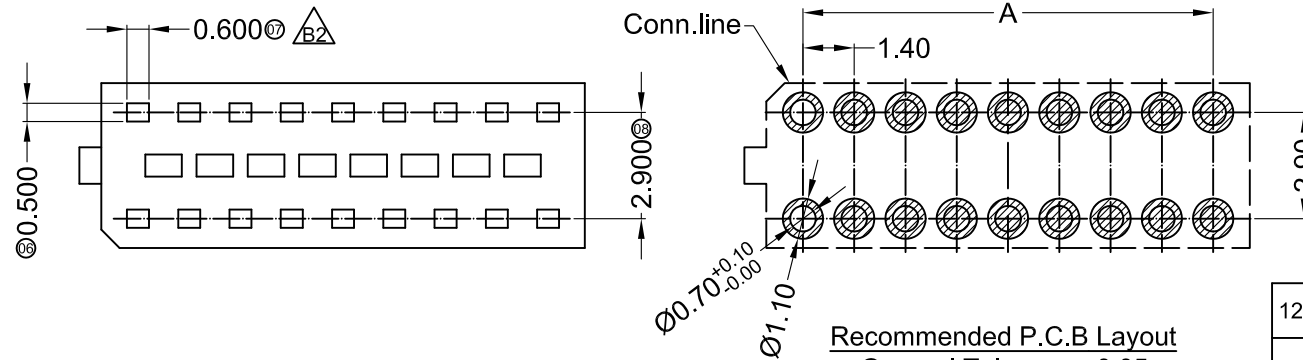
1259 H V -2*XX X-N0 HF

① ②③ ④ ⑤ ⑥ ⑦

- ① Series No.
- ② Category: H-HSG
- ③ Welding Board Angle: V-Straight 180°
- ④ Row No.-Pin No.: 2*XX-2*02P~2*17P
- ⑤ Plug the Pin & Special N0.
- ⑥ Material: N0-PA66 94V-0
- ⑦ HF-Halogen Free



Poles	Dimensions(mm)		Poles	Dimensions(mm)	
	A	B		A	B
2x02	1.40	3.40	2x09	11.20	13.20
2x03	2.80	4.80	2x10	12.60	14.60
2x04	4.20	6.20	2x14	18.20	20.20
2x05	5.60	7.60	2x15	19.60	21.60
2x06	7.00	9.00	2x16	21.00	23.00
2x07	8.40	10.40	2x17	22.40	24.40
2x08	9.80	11.80			



Recommended P.C.B Layout
General Tolerance ±0.05

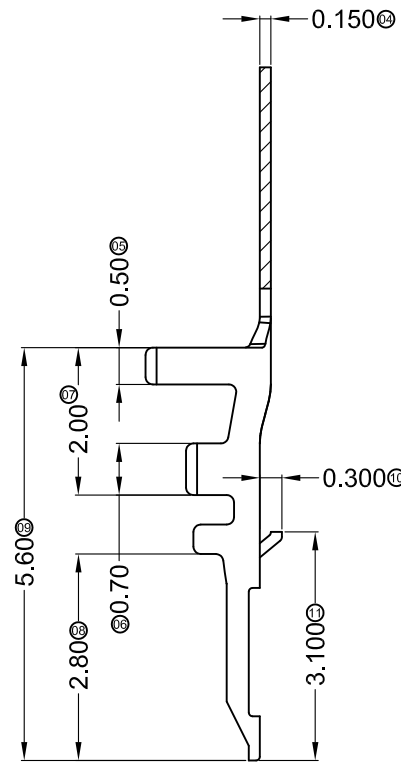
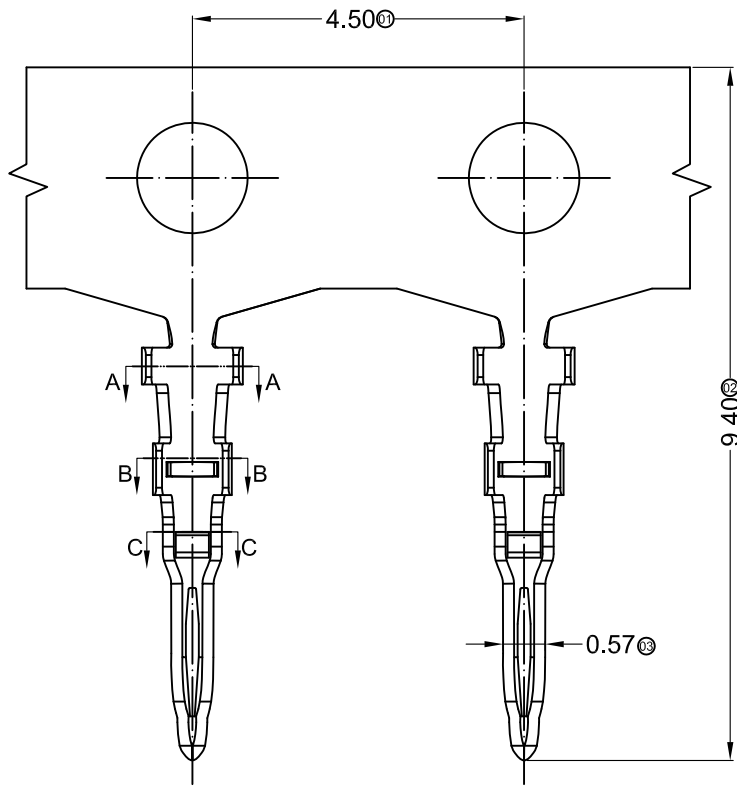
1259HV-2*XX-N0HF	Nylon 66 UL 94V-0	1259BT
PART N0	Material	Suitable ADZL Terminal

DATE	OLD REV	NEW REV	ECN	DESCRIPTION	CHECK	APPROVAL	PROJECT	APPROVAL	CHECK	DRAWN	DATA	UNIT	SCALE	NUMBER	REV
							ADZL	Ken	Wisely He	Allen	2014/05/04	MM	1:1	A-014	B

ADZL 思量连接器有限公司
ADZL CONNECTORS CO.,LTD

PART NO. 1259HV-2*XX-N0HF

TITLE 1.40mm Board-IN Connectors

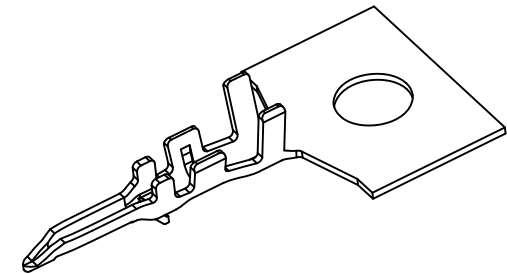
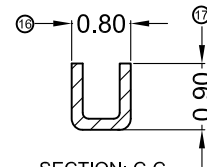
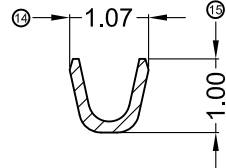
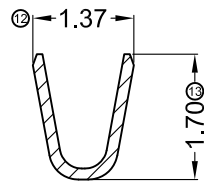


■ Specifications :

- Voltage rating: 50V AC / DC
- Current rating: 1A AC / DC
- Withstanding voltage: 250V AC/minute
- Temperature range: -25°C~+85°C
- Insulation resistance: ≥100MΩ
- Contact resistance: ≤10mΩ
- After environmental testing: ≤20mΩ

1259 BT X-P SN X - X
 ① ② ③ ④ ⑤ ⑥ ⑦

- ① Series Number
- ② Category: BT- Board-IN terminal
- ③ Shape: Blank-ordinary
- ④ Material: P-Phosphor bronze
- ⑤ Plating style: SN-Bright tin plating
- ⑥ Plating method: Blank-Stamping before plating
- ⑦ Mold No./Mark/Special No.



1259BT-PSN	Phosphor Bronze	AWG#28-32	1.00mm(Max)	Stamping Before Plating:30u"MIN. Ni; 70u"Sn	1259H
PART NO	Material	Wire Range	Insulation O.D.	Finish	Used In ADZL Housing

GENERAL TOLERANCE

X	±0.30
.XX	±0.20
.XXX	±0.10

 思量连接器有限公司
ADZL CONNECTORS CO.,LTD

PART NO. 1259BT-PSN

TITLE 1.25mm Crimp Style Connectors

APPROVAL	CHECK	DRAWN	DATA
Ken	Wisely He	Allen	2014/06/04

UNIT	SCALE	NUMBER	REV
MM	1:1	A-080	D

DATE	OLD REV	NEW REV	ECN	DESCRIPTION	CHECK	APPROVAL	PROJECT
							