



Type Document	Crimp Specification	Revised /Edition	A
Date Issued:		Data Revised:	2014/11/03
Subject: 9862T-PXX 1.25mm Pitch Wire to Board Series Terminal.			Issued By: Engineering Dept.

Description:

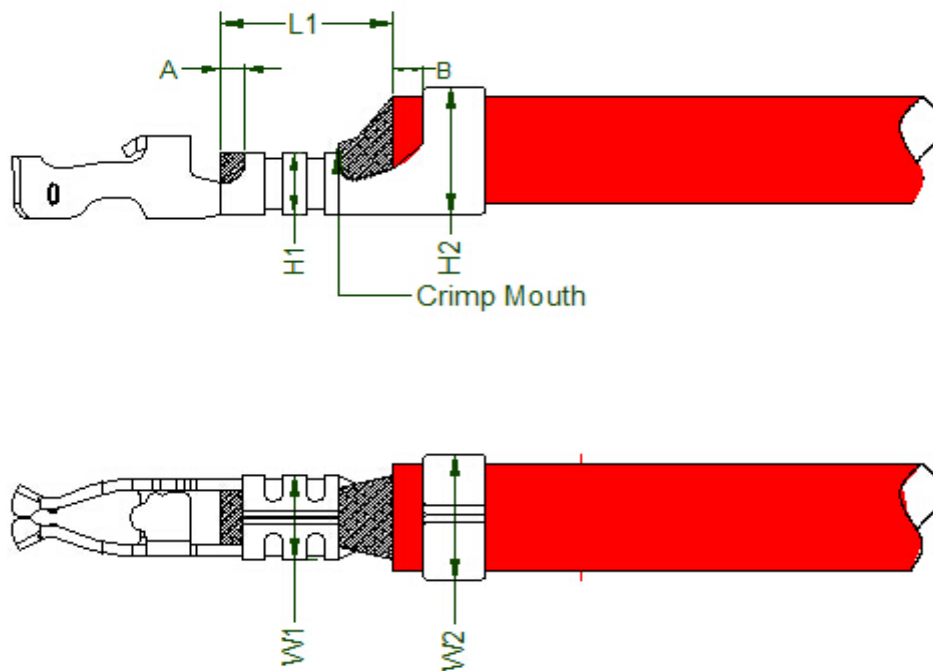
Height and width of crimped core should be set as required.

(Crimped height and width of wire barrel)

According to the external diameter and the type of electric wire, the width of crimped sheath shall be adjusted wire won't be easily taken off from contact nor too much crimped.

(Crimped width of insulation barrel)

Position Graph:



Note:

1. Conductor crimp width. W1
2. Conductor crimp height. H2
3. Insulator crimp width. W1
4. Insulator crimp height. W2
5. Conductor wire shall be dimension long (mm) out A.
6. Naked part of sheathed wire must be located in the vicinity of center B.
7. The Crimp mouth must be equipped like Shell.

