

Specifications :

- Voltage rating: 250V AC / DC
- Current rating: 3A AC / DC
- Withstanding voltage: 1000V AC/minute
- Temperature range: -25°C~+85°C
- Insulation resistance: ≥1000MΩ
- Contact resistance: ≤20mΩ
- After environmental testing: ≤30mΩ

4601 H X-XX A-N0 XX XX
 ① ② ③ ④ ⑤ ⑥ ⑦ ⑧

- ① Series No.
- ② Category: H-HSG
- ③ Appearance type: Blank-Ordinary
- ④ Row No.-Pin No.: XX-02P~17P
- ⑤ Plug the Pin & special No.:
A-With Salient Point
- ⑥ Material: N0-PA66 UL 94V-0
- ⑦ Color: Blank-Natural Color ;
BK-Black
- ⑧ HF-Halogen Free

Poles	Dimensions (mm)		Poles	Dimensions (mm)	
	A	B		A	B
02	2.00	4.40	10	18.00	20.40
03	4.00	6.40	11	20.00	22.40
04	6.00	8.40	12	22.00	24.40
05	8.00	10.40	13	24.00	26.40
06	10.00	12.40	14	26.00	28.40
07	12.00	14.40	15	28.00	30.40
08	14.00	16.40	16	30.00	32.40
09	16.00	18.40	17	32.00	34.40

4601H-XXA-N0BKHF	PA66 UL 94V-0 Halogen Free Black	4601T-A	4601W
4601H-XXA-N0HF	PA66 UL 94V-0 Halogen Free		
4601H-XXA-N0	PA66 UL 94V-0		
PART NO	Material	Suitable ADZL Terminal	Mates With ADZL Pin Heade Or Box Header

GENERAL TOLERANCE
 X ±0.30
 .XX ±0.20
 .XXX ±0.10

 思量连接器有限公司
 ADZL CONNECTORS CO.,LTD


PART NO. 4601H-XXA-N0XX

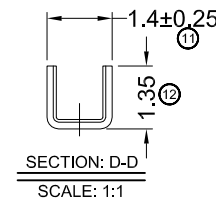
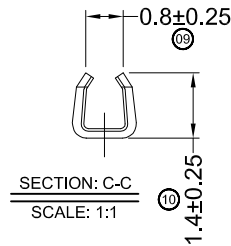
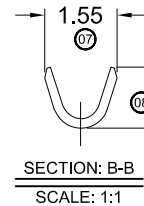
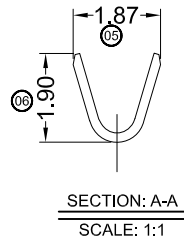
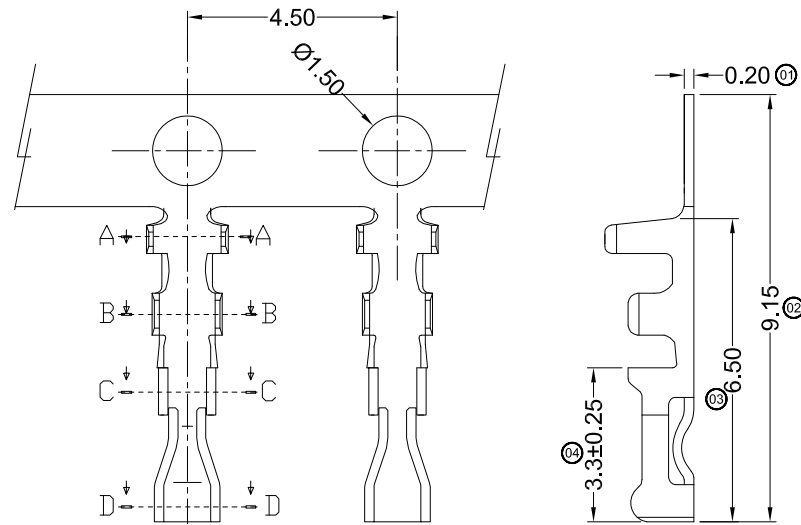
TITLE 2.00mm Crimp Style Connectors

APPROVAL CHECK DRAWN DATA

Ken Wisely He Allen 2007/05/03

UNIT SCALE NUMBER REV
 MM 1:1 A-106 E

DATE	OLD REV	NEW REV	ECN	DESCRIPTION	CHECK	APPROVAL	PROJECT
							



■ Specifications :

- Voltage rating: 250V AC / DC
- Current rating: 2A AC / DC
- Withstanding voltage: 1000V AC/minute
- Temperature range: -25°C~+85°C
- Insulation resistance: ≥1000MΩ
- Contact resistance: ≤20mΩ
- After environmental testing: ≤30mΩ

4601 T X-X XX X-L
① ② ③ ④ ⑤ ⑥ ⑦

- ① Series No.
- ② Category: T-Terminal
- ③ Appearance type: Blank-Ordinary
- ④ Material: P-Phosphor bronze
B-Brass
- ⑤ Plating Style: G**-Gold Plated Contact
V**- All Gold-Plated
01-Gold Flash 02-2u" 03-3u"
05-5u" 10-10u" 15-15u"
SN-Bright Tin Plating (70-120u")
SN1-Bright Tin Plating (120u" Min).
0-No Plating Material
SW- Fog Tin Plating
- ⑥ Plating Method : Blank-Stamping before Plating
B-Plating before stamping
- ⑦ Mold No./Mark/Special No. : L- Big Gap

4601T-BG01-L	Brass	AWG#26-30	1.40mm(Max)	Stamping Before Patting;30~50u" Ni;Contact Area Gold:1u" Min.	4601H	10,000Pcs
PART NO	Material	Wire Range	Insulation O.D.	Finish	Used In ADZL Housing	Q'ty/Reel

GENERAL TOLERANCE	
X	±0.30
.XX	±0.20
.XXX	±0.10

 思量连接器有限公司
ADZL CONNECTORS CO.,LTD

PART NO.		4601T-XXX-L	
TITLE			
2.00 mm Crimp Style Connector			
UNIT	SCALE	NUMBER	REV
MM	1 : 1	A-019	C

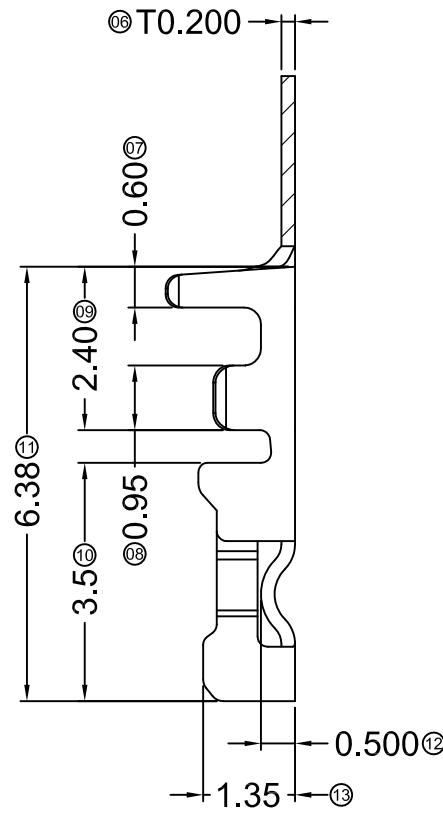
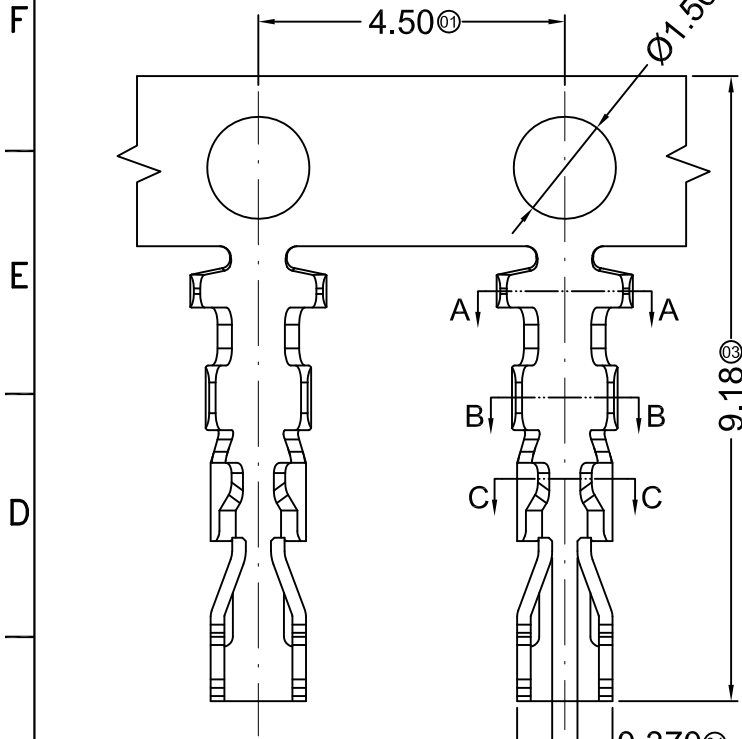
PROJECT


APPROVAL	CHECK	DRAWN	DATA
Ken	Wisely He	Allen	2011/08/01

DATE	OLD REV	NEW REV	ECN	DESCRIPTION	CHECK	APPROVAL

RoHS  Lead-free

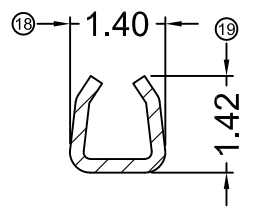
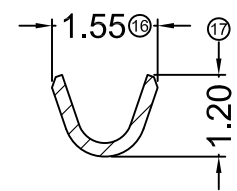
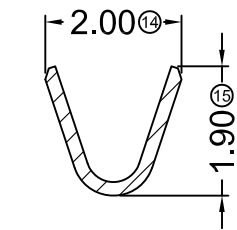
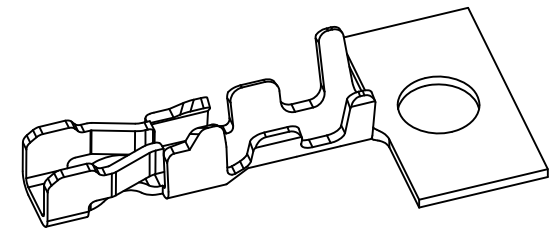
TEL:0769-82285488



- Specifications :**
- Voltage rating: 250V AC / DC
 - Current rating: 2A AC / DC
 - Withstanding voltage: 1000V AC/minute
 - Temperature range: -25°C~+85°C
 - Insulation resistance: ≥1000MΩ
 - Contact resistance: ≤20mΩ
 - After environmental testing: ≤30mΩ

4601 T X-X XX X - T
 ① ② ③ ④ ⑤ ⑥ ⑦

- ① Series Number
- ② Category: T-terminal
- ③ Shape: Blank-Ordinary
- ④ Material: P-Phosphor bronze
B-Brass
- ⑤ Plating style: V01- All Gold-Plated
G01-Gold Plated Contact
SN-Bright tin plating
- ⑥ Plating method: Blank-Stamping before plating
- ⑦ Mold No./Mark/Special No. : T- Small Gap



4601T-BG01-T	Brass	AWG#26-30	Stamping Before Pating:30u" MIN.Ni; Contact Area Gold:Gold Flash	4601H
PART NO	Material	Wire Range	Insulation O.D.	Finish
				Used In ADZL Housing

DATE	OLD REV	NEW REV	ECN	DESCRIPTION	CHECK	APPROVAL	PROJECT		

GENERAL TOLERANCE

X	±0.30
.XX	±0.20
.XXX	±0.10

ADZL 思量连接器有限公司
ADZL CONNECTORS CO.,LTD

APPROVAL	CHECK	DRAWN	DATA
Ken	Wisely He	Allen	2014/08/01

PART NO. 4601T-XXX-T			
TITLE 2.00mm Crimp Style Connectors			
UNIT	SCALE	NUMBER	REV
MM	1:1	A-019	E