

■ Specifications :

- Voltage rating: 250V AC / DC
- Current rating: 2A AC / DC
- Withstanding voltage: 1000V AC/minute
- Temperature range: -25°C~+85°C
- Insulation resistance: ≥1000MΩ
- Contact resistance: ≤20mΩ
- After environmental testing: ≤30mΩ

4601 K R X-2*XX B-XX V01 XX
① ②③④ ⑤ ⑥ ⑦ ⑧ ⑨

- ① Series No.
- ② Category: K-Cowfish Longhorn Connector
- ③ Welding Board Angle: R- Right Angle 90°
- ④ Welding Way: Blank-DIP
- ⑤ Row No.-Pin No.: 2*XX-Double Row
- ⑥ Plug the Pin & Special No.: B-With Convex platform
- ⑦ Material: LP-LCP 94V-0 ; 4T-PA4T 94V-0
6T-PA6T 94V0
- ⑧ Planting Category: V01-Gold Flash ;
- ⑨ Color: Blank-Natural Color

Poles	Dimensions(mm)			Poles	Dimensions(mm)		
	A	B	C		A	B	C
2*02	2.00	6.65	4.85	2*13	24.00	28.65	26.85
2*03	4.00	8.65	6.85	2*14	26.00	30.65	28.85
2*04	6.00	10.65	8.85	2*15	28.00	32.65	30.85
2*05	8.00	12.65	10.85	2*16	30.00	34.65	32.85
2*06	10.00	14.65	12.85	2*17	32.00	36.65	34.85
2*07	12.00	16.65	14.85	2*18	34.00	38.65	36.85
2*08	14.00	18.65	16.85	2*19	36.00	40.65	38.85
2*09	16.00	20.65	18.85	2*20	38.00	42.65	40.85
2*10	18.00	22.65	20.85	2*21	40.00	44.65	42.85
2*11	20.00	24.65	22.85	2*22	42.00	46.65	44.85
2*12	22.00	26.65	24.85	2*25	48.00	52.65	50.85

4601KR-2*XXB-6TV01	PA6T UL 94V-0	Brass	Gold-Flash	4601H-2*XXB
4601KR-2*XXB-4TV01	PA4T UL 94V-0	Brass	Gold-Flash	4601H-2*XXB
4601KR-2*XXB-LPV01	LCP UL 94V-0	Brass	Gold-Flash	4601H-2*XXB
PART NO	Material	Material(Pin)	Finish(Pin)	Mates With ADZL Housing

GENERAL TOLERANCE	
X	±0.30
.XX	±0.20
.XXX	±0.10

思量连接器有限公司
ADZL CONNECTORS CO.,LTD

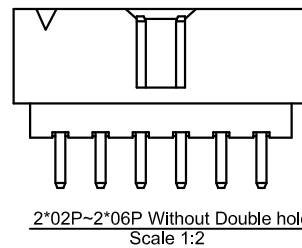
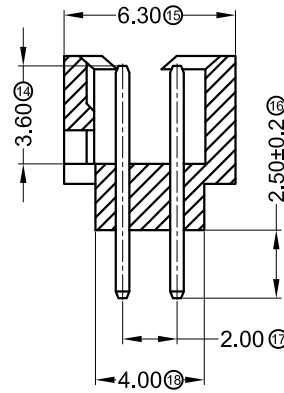
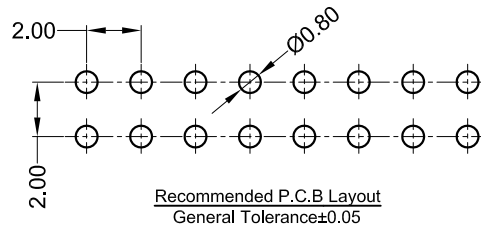
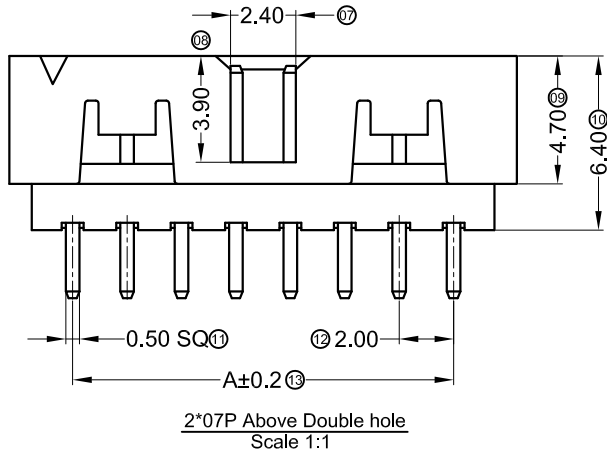
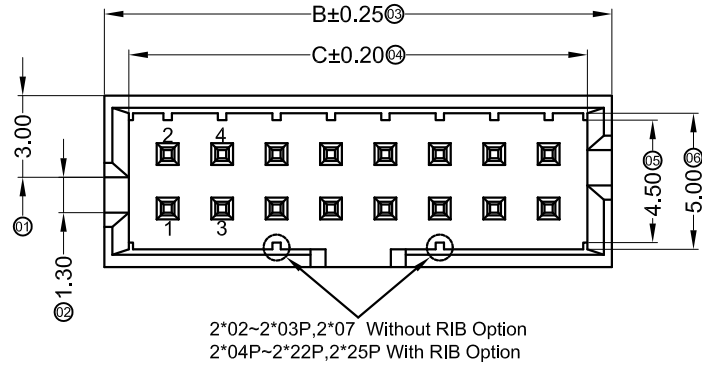
APPROVAL	CHECK	DRAWN	DATA
Ken	Wisely He	Allen	2018/07/29

PART NO.
4601KR-2*XXB-XXV01

TITLE
2.00 mm Crimp Style connectors

UNIT	SCALE	NUMBER	REV
MM	1:1	A-071	E

DATE	OLD REV	NEW REV	ECN	DESCRIPTION	CHECK	APPROVAL	PROJECT



■ Specifications :

- Voltage rating: 250V AC / DC
- Current rating: 2A AC / DC
- Withstanding voltage: 1000V AC/minute
- Temperature range: -25°C~+85°C
- Insulation resistance: ≥1000MΩ
- Contact resistance: ≤20mΩ
- After environmental testing: ≤30mΩ

4601 K V X-2*XX B-XX V01 XX
① ② ③ ④ ⑤ ⑥ ⑦ ⑧ ⑨

- ① Series No.
- ② Category: K-Cowfish Longhorn Connector
- ③ Welding Board Angle: V- Straight 180°
- ④ Welding Way: Blank-DIP
- ⑤ Row No.-Pin No.: 2*XX-Double Row
- ⑥ Plug the Pin & Special No.: B-With Convex platform
- ⑦ Material: LP-LCP 94V-0 ; 4T-PA4T 94V-0
- ⑧ Planting Category: V01-Gold Flash ;
- ⑨ Color: Blank-Natural Color

Poles	Dimensions(mm)			Poles	Dimensions(mm)		
	A	B	C		A	B	C
2*02	2.00	6.65	4.85	2*13	24.00	28.65	26.85
2*03	4.00	8.65	6.85	2*14	26.00	30.65	28.85
2*04	6.00	10.65	8.85	2*15	28.00	32.65	30.85
2*05	8.00	12.65	10.85	2*16	30.00	34.65	32.85
2*06	10.00	14.65	12.85	2*17	32.00	36.65	34.85
2*07	12.00	16.65	14.85	2*18	34.00	38.65	36.85
2*08	14.00	18.65	16.85	2*19	36.00	40.65	38.85
2*09	16.00	20.65	18.85	2*20	38.00	42.65	40.85
2*10	18.00	22.65	20.85	2*21	40.00	44.65	42.85
2*11	20.00	24.65	22.85	2*22	42.00	46.65	44.85
2*12	22.00	26.65	24.85	2*25	48.00	52.65	50.85

4601KV-2*XXB-4TV01	PA4T UL 94V-0	Brass	Gold-Flash	4601H
4601KV-2*XXB-LPV01	LCP UL 94V-0	Brass	Gold-Flash	4601H
PART NO	Material	Material(Pin)	Finish(Pin)	Mates With ADZL Housing

GENERAL TOLERANCE
.X ±0.30
.XX ±0.20
.XXX ±0.10

 思量连接器有限公司
ADZL CONNECTORS CO.,LTD

PART NO.
4601KV-2*XXB-XXV01

APPROVAL CHECK DRAWN DATA

TITLE
2.00 mm Crimp Style connectors

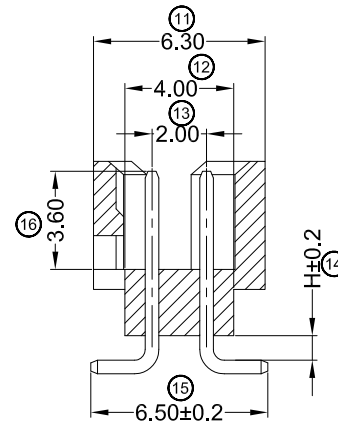
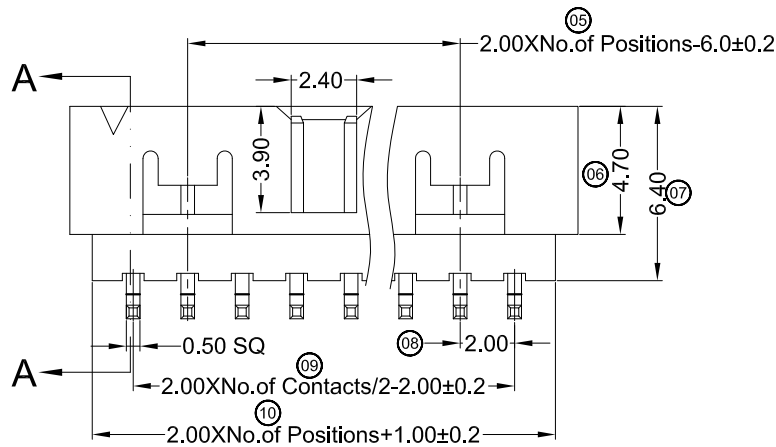
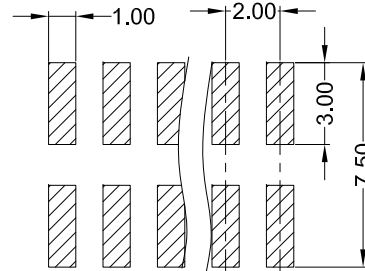
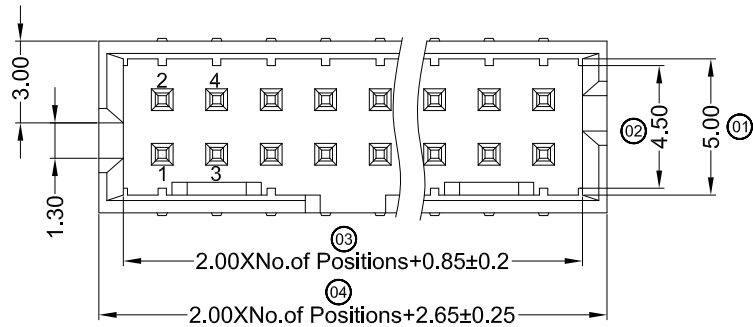
PROJECT


Ken Wisely He Allen 2017/07/29

UNIT SCALE NUMBER REV
MM 1:1 A-071 F

DATE	OLD REV	NEW REV	ECN	DESCRIPTION	CHECK	APPROVAL

1 2 3 4 5 6 7 8



SECTION : A-A
SCALE 1:1

■ Specifications :


- Voltage rating: 250V AC / DC
- Current rating: 2A AC / DC
- Withstanding voltage: 1000V AC/minute
- Temperature range: -25°C~+85°C
- Insulation resistance: ≥1000MΩ
- Contact resistance: ≤20mΩ
- After environmental testing: ≤30mΩ

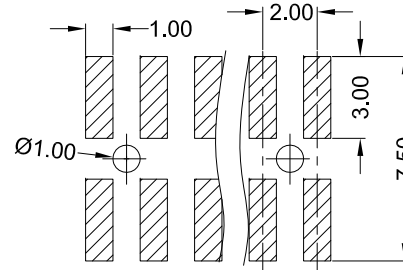
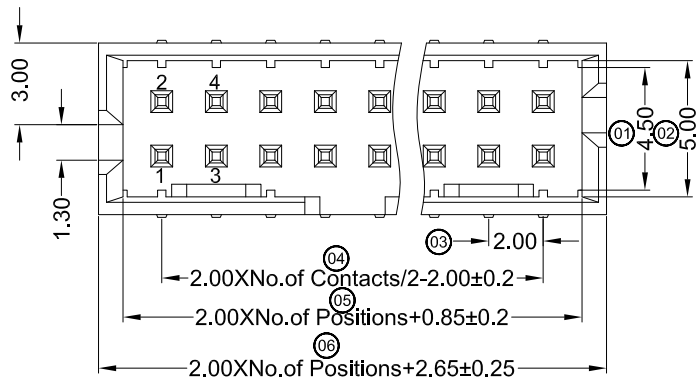
4601 K V S- 2*XX B-LP V01 XX
① ② ③ ④ ⑤ ⑥ ⑦ ⑧ ⑨

- ① Series No.
- ② Category: K-Cowfish Longhorn Connector
- ③ Welding Board Angle: V-180° ; R-90°
- ④ Welding Way: Blank-DIP ; S-SMT
- ⑤ Row No.-Pin No.: XX-Single Row ; 2*XX-Double Row
- ⑥ Plug the Pin & Special No. :
B-With Convex platform
- ⑦ Material: LP -LCP 94V-0
- ⑧ Plating Category: G**-Gold Plated Contact
V**- All Gold-Plated
01-Gold Flash 02-2u" 03-3u"
05-5u" 10-10u" 15-15u"
SN-Bright Tin Plating (70-120u")
SN1-Bright Tin Plating (120u" Min).
0-No Plating Material
SW- Fog Tin Plating
HS-Hight temperature Tin
- ⑨ Color : Blank-Natural Color

ITEM	H	
Standard	0	0.90
Alternate		

4601KVS-2*XXB-LPV01	LCP UL 94V-0	Brass	Gold-Flash	4601H
PART NO	Material	Material(Pin)	Finish(Pin)	Mates With ADZL Housing

DATE	OLD REV	NEW REV	ECN	DESCRIPTION	CHECK	APPROVAL	PROJECT	APPROVAL	CHECK	DRAWN	DATA	UNIT	SCALE	NUMBER	REV
							GENERAL TOLERANCE X ±0.30 .XX ±0.20 .XXX ±0.10	Ken	Wisely He	Allen	2013/07/29	MM	1:1	A-071	D
								 思量连接器有限公司 ADZL CONNECTORS CO.,LTD				PART NO. 4601KVS-2*XXB-LPV01 TITLE 2.00 mm Crimp Style connectors			

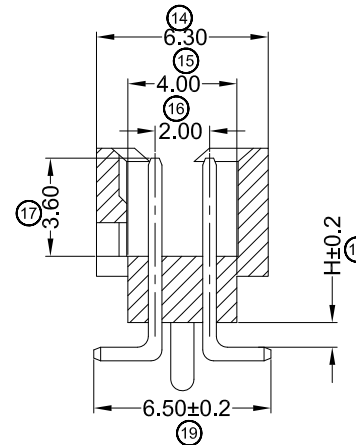
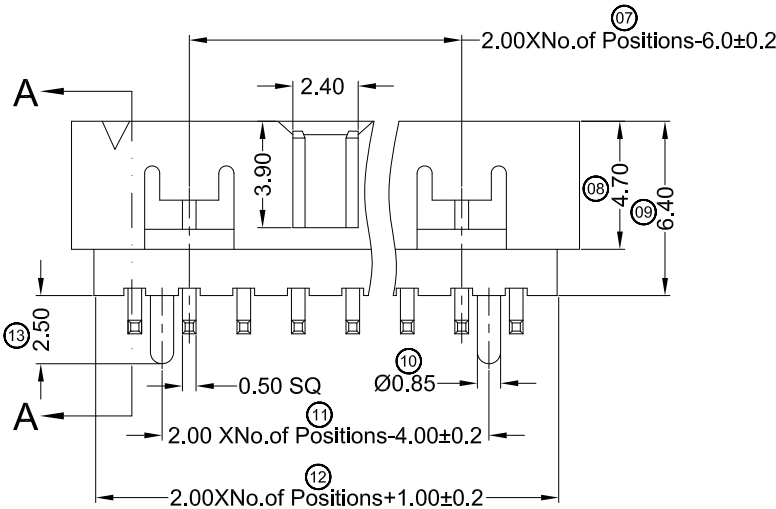


Specifications :

- Voltage rating: 250V AC / DC
- Current rating: 2A AC / DC
- Withstanding voltage: 1000V AC/minute
- Temperature range: $-55^{\circ}\text{C} \sim +105^{\circ}\text{C}$
- Insulation resistance: $\geq 1000\text{M}\Omega$
- Contact resistance: $\leq 20\text{m}\Omega$
- After environmental testing: $\leq 30\text{m}\Omega$

4601 K V S- 2*XX BS-LP VXX XX
 ① ② ③ ④ ⑤ ⑥ ⑦ ⑧ ⑨

- ① Series No.
- ② Category: K-Cowfish Longhorn Connector
- ③ Welding Board Angle: V- 180° ; R- 90°
- ④ Welding Way: Blank-DIP; S-SMT
- ⑤ Row No.-Pin No.: XX-Single Row; 2*XX-Double Row
- ⑥ Plug the Pin & Special No.:
BS-With Convex platform and With Post
- ⑦ Material: LP-LCP 94V-0
- ⑧ Plating Category: G**-Gold Plated Contact
V**- All Gold-Plated
01-Gold Flash 02-2u" 03-3u"
05-5u" 10-10u" 15-15u"
SN-Bright Tin Plating (70-120u")
SN1-Bright Tin Plating (120u" Min).
0-No Plating Material
SW- Fog Tin Plating
HS-High temperature Tin
- ⑨ Color : Blank-Natural Color



SECTION A-A
SCALE 1:1

ITEM	H	
Standard	0	0.90
Alternate		

4601KVS-2*XXBS-LPV15	LCP UL 94V-0	Brass	Gold15u"	4601H
4601KVS-2*XXBS-LPV01	LCP UL 94V-0	Brass	Gold-Flash	4601H
PART NO	Material	Material(Pin)	Finish(Pin)	Mates With ADZL Housing

GENERAL TOLERANCE

X	± 0.30
.XX	± 0.20
.XXX	± 0.10




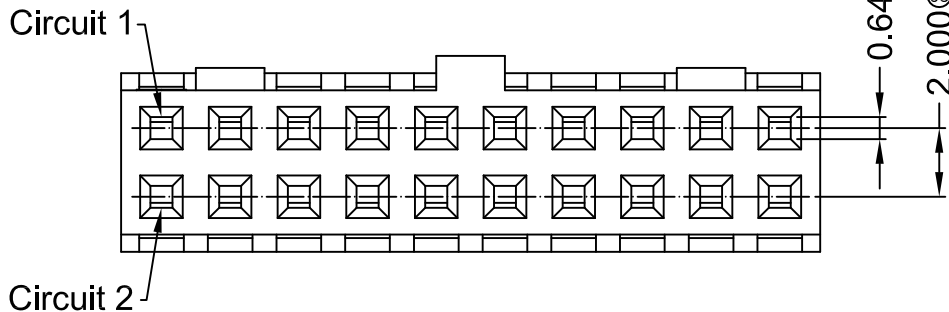
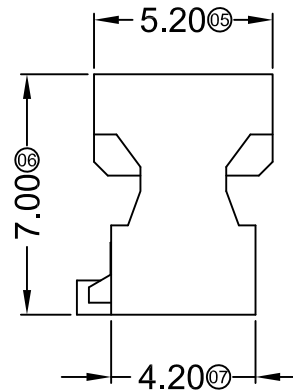
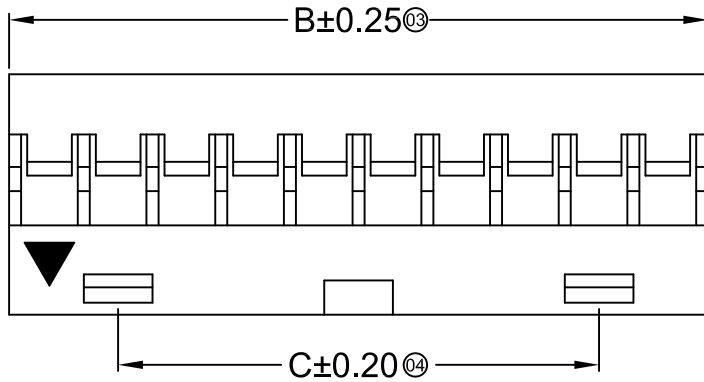
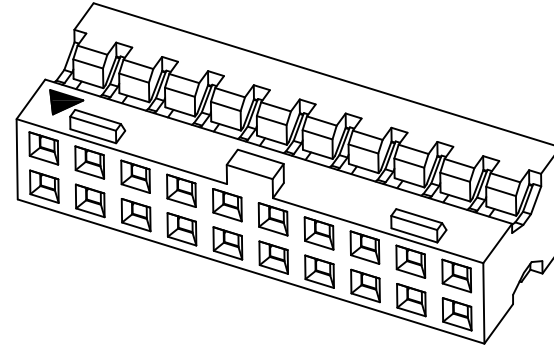
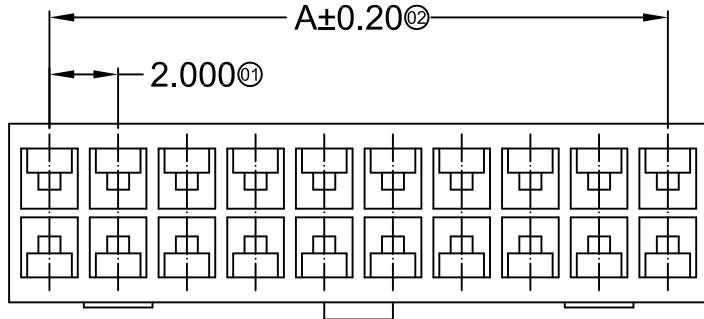
APPROVAL	CHECK	DRAWN	DATA
Ken	Wisely He	Allen	2013/07/29

PART NO.
4601KVS-2*XXBS-LPVXX

TITLE
2.00 mm Crimp Style connectors

UNIT	SCALE	NUMBER	REV
MM	1:1	A-071	E

DATE	OLD REV	NEW REV	ECN	DESCRIPTION	CHECK	APPROVAL	PROJECT
							



■ Specifications :



- Voltage rating: 250V AC / DC
- Current rating: 2A AC / DC
- Withstanding voltage: 1000V AC/minute
- Temperature range: $-25^{\circ}\text{C} \sim +85^{\circ}\text{C}$
- Insulation resistance: $\geq 1000\text{M}\Omega$
- Contact resistance: $\leq 20\text{m}\Omega$
- After environmental testing: $\leq 30\text{m}\Omega$

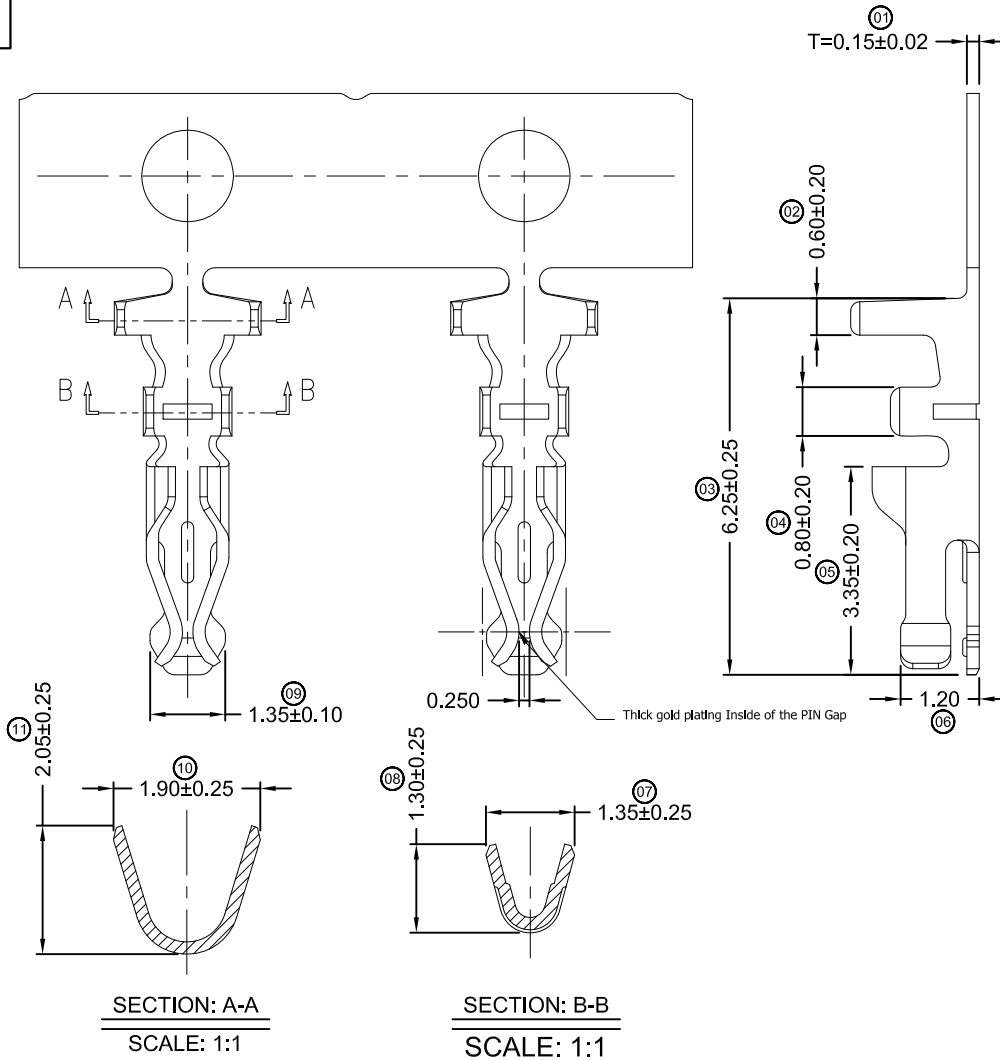
4601 H X-2*XX B-N0 XX
① ② ③ ④ ⑤ ⑥ ⑦

- ① Series No.
- ② Category: H-HSG
- ③ Appearance type: Blank-Ordinary
- ④ Row No.-Pin No.: 2*XX-2*02P~2*30P
- ⑤ Plug the Pin & special No.: B-Three Salient Point
- ⑥ Material: N0-PA66 UL 94V-0
- ⑦ Color: Blank-Natural Color

Poles	Dimensions (mm)			Poles	Dimensions (mm)		
	A	B	C		A	B	C
2*07	12.00	14.35	8.00	2*17	32.00	34.35	28.00
2*08	14.00	16.35	10.00	2*18	34.00	36.35	30.00
2*09	16.00	18.35	12.00	2*19	36.00	38.35	32.00
2*10	18.00	20.35	14.00	2*20	38.00	40.35	34.00
2*11	20.00	22.35	16.00	2*21	40.00	42.35	36.00
2*12	22.00	24.35	18.00	2*22	42.00	44.35	38.00
2*13	24.00	26.35	20.00	2*23	44.00	46.35	40.00
2*14	26.00	28.35	22.00	2*24	46.00	48.35	42.00
2*15	28.00	30.35	24.00	2*25	48.00	50.35	44.00
2*16	30.00	32.35	26.00				

4601H-2*XXB-N0	PA66 UL 94V-0	4601T	4601W
PART NO	Material	Suitable ADZL Terminal	Mates With ADZL Pin Heade Or Box Header

				GENERAL TOLERANCE				 思量连接器有限公司 ADZL CONNECTORS CO.,LTD				PART NO. 4601H-2*XXB-N0			
				.X ± 0.30 .XX ± 0.20 .XXX ± 0.10								TITLE 2.00mm Crimp Style Connectors			
DATE	OLD REV	NEW REV	ECN	DESCRIPTION	CHECK	APPROVAL	PROJECT	APPROVAL	CHECK	DRAWN	DATA	UNIT	SCALE	NUMBER	REV
								Ken	Wisely He	Allen	2007/05/03	MM	1:	A-018	E




■ Specifications :

- Voltage rating: 250V AC / DC
- Current rating: 2A AC / DC
- Withstanding voltage: 1000V AC/minute
- Temperature range: $-25^{\circ}\text{C} \sim +85^{\circ}\text{C}$
- Insulation resistance: $\geq 1000\text{M}\Omega$
- Contact resistance: $\leq 20\text{m}\Omega$
- After environmental testing: $\leq 30\text{m}\Omega$

4601 T X-X XX X-B
① ② ③ ④ ⑤ ⑥ ⑦

- ① Series No.
- ② Category: T-Terminal
- ③ Appearance type: Blank-Ordinary
- ④ Material: P-Phosphor bronze
B-Brass
- ⑤ Plating Style: G**-Gold Plated Contact
V**- All Gold-Plated
01-Gold Flash 02-2u" 03-3u"
05-5u" 10-10u" 15-15u"
SN-Bright Tin Plating (70-120u")
SN1-Bright Tin Plating (120u" Min).
0-No Plating Material
SW- Fog Tin Plating
- ⑥ Plating Method : Blank-Stamping before Plating
B-Plating before stamping
- ⑦ Mold No./Mark/Special No. : B- Mating 6501H-LA HSG

4601T-PG15-B	Phosphor Bronze	AWG#26-30	1.35mm(Max)	Stamping Before Pating:30~50u" Ni;Contact Area Gold:15u" Min.	4601H-B
4601T-PG01-B				Stamping Before Pating:30~50u" Ni;Contact Area Gold:1u" Min.	
PART NO	Material	Wire Range	Insulation O.D.	Finish	Used In ADZL Housing

				GENERAL TOLERANCE				 思量连接器有限公司 ADZL CONNECTORS CO.,LTD				PART NO. 4601T-PG01-B				
				.X ± 0.30 .XX ± 0.20 .XXX ± 0.10								TITLE 2.00 mm Crimp Style Connector				
				PROJECT				APPROVAL	CHECK	DRAWN	DATA	UNIT		SCALE	NUMBER	REV
DATE	OLD REV	NEW REV	ECN	DESCRIPTION	CHECK	APPROVAL	Ken	Wisely He	Allen	2017/08/01	MM	1:1	A-035	C		