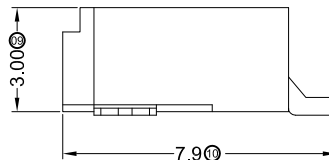
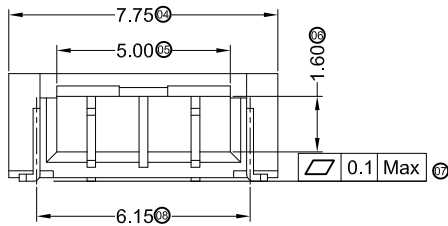


■ Specifications :

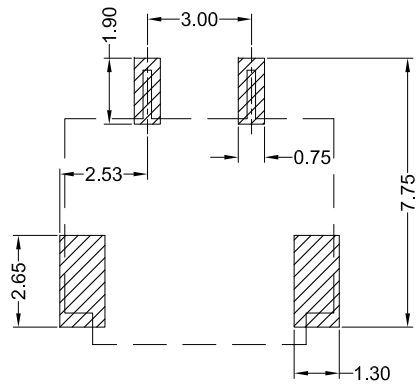
- Voltage rating: 150V AC / DC
- Current rating: 1A AC / DC
- Withstanding voltage: 1000V AC/minute
- Temperature range: -25°C~+85°C
- Insulation resistance: ≥1000MΩ
- Contact resistance: ≤20mΩ



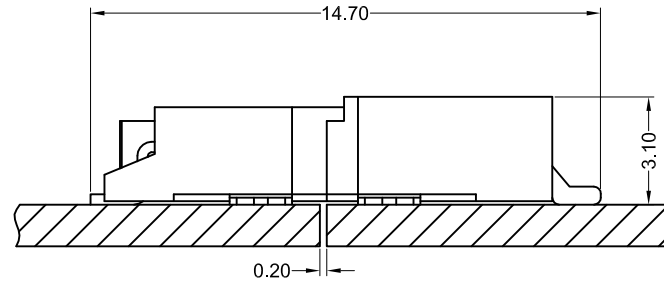
3001 W F - XX X - LP SW XX R

(1) (2) (3) (4) (5) (6) (7) (8) (9)

- (1) Series No.
- (2) Category: W-wafer
- (3) Welding Way: F-Female
- (4) Row No.-Pin No.XX-Single row
- (5) Plug the Pin & Special NO.
- (6) Material: LP-LCP 94V-0
- (7) Planting Category: SW-MatteTin Plated
- (8) Color: Blank-natural color
- (9) Packing Form:R-Reel



Recommended P.C.B Layout
General Tolerance±0.05



MATING VIEW

3001WF-02-LPSWR	LCP UL 94V-0	Phosphor Bronze	MatteTin-Plated
PART NO	Material	Material (Pin&Solder)	Finish (Pin&Solder)

GENERAL TOLERANCE
.X ±0.30
.XX ±0.20
.XXX ±0.10

 思量连接器有限公司
ADZL CONNECTORS CO.,LTD

PART NO. 3001WF-02-LPSWR

TITLE 3.00mm B to B Style Connectors

PROJECT 

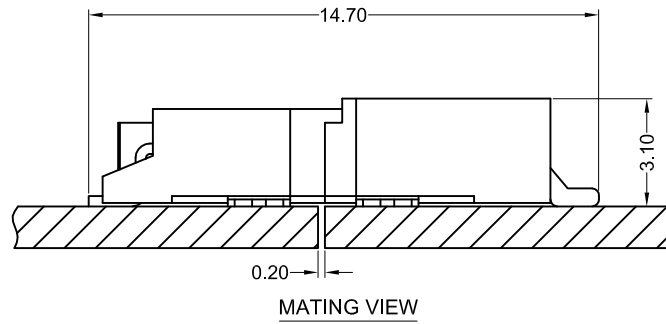
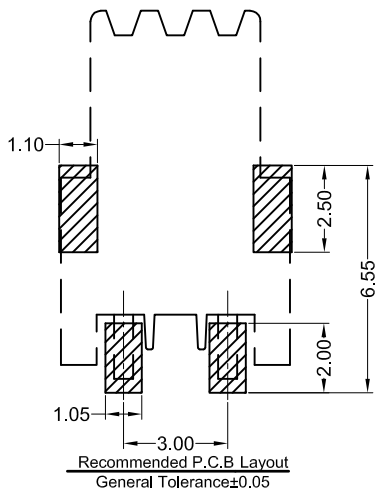
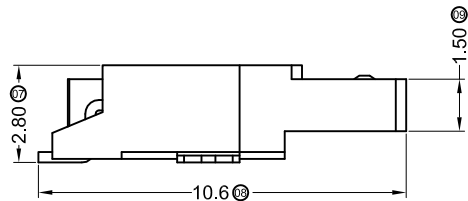
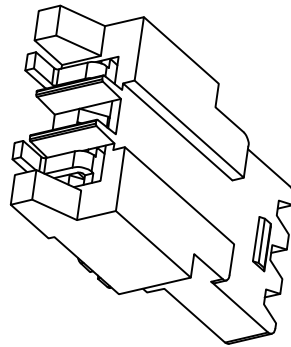
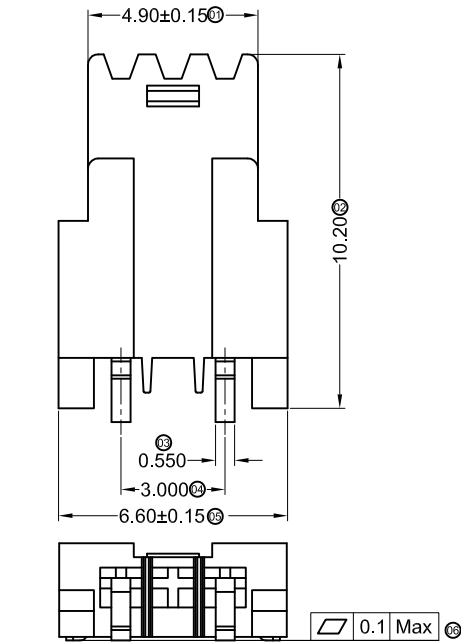
APPROVAL	CHECK	DRAWN	DATA
Ken	Wisely He	Allen	2017/08/22

UNIT MM	SCALE 1:1	NUMBER A-084	REV A
------------	--------------	-----------------	----------

DATE	OLD REV	NEW REV	ECN	DESCRIPTION	CHECK	APPROVAL
1			2			4

F
E
D
C
B
A

F
E
D
C
B
A



■ Specifications :

- Voltage rating: 150V AC / DC
- Current rating: 1A AC / DC
- Withstanding voltage: 1000V AC/minute
- Temperature range: -25°C~+85°C
- Insulation resistance:≥1000MΩ
- Contact resistance: ≤20mΩ

3001 W M - XX X - LP SW XX R
 ① ② ③ ④ ⑤ ⑥ ⑦ ⑧ ⑨

- ① Series No.
- ② Category: W-wafer
- ③ Welding Way:M-Male
- ④ Row No.-Pin No.XX-Single row
- ⑤ Plug the Pin & Special NO.
- ⑥ Material: LP-LCP 94V-0
- ⑦ Planting Category: SW-MatteTin Plated
- ⑧ Color: Blank-natural color
- ⑨ Packing Form:R-Reel

3001WM-02-LPSWR	LCP UL 94V-0	Phosphor Bronze	MatteTin-Plated
PART NO	Material	Material (Pin&Solder)	Finish (Pin&Solder)

GENERAL TOLERANCE
.X ±0.30
.XX ±0.20
.XXX ±0.10

 思量连接器有限公司
ADZL CONNECTORS CO.,LTD

PART NO. 3001WM-02-LPSWR			
TITLE 3.00mm B to B Style Connectors			
UNIT MM	SCALE 1:1	NUMBER A-084	REV A

PROJECT


APPROVAL Ken	CHECK Wisely He	DRAWN Allen	DATA 2017/08/22
--------------	-----------------	-------------	-----------------

DATE	OLD REV	NEW REV	ECN	DESCRIPTION	CHECK	APPROVAL
------	---------	---------	-----	-------------	-------	----------

1 2 3 4 5 6 7 8