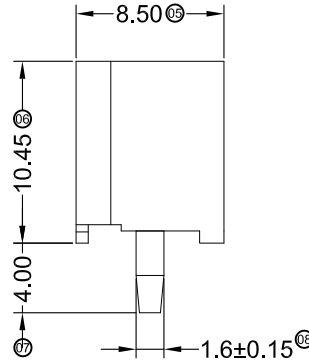
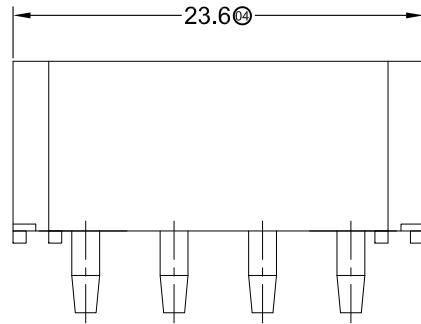


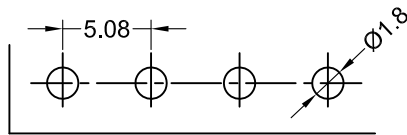
■ Specifications :

- Voltage rating: 250V AC / DC
- Current rating: 10A AC / DC
- Withstanding voltage: 1500V AC/minute
- Temperature range: -25°C~+85°C
- Insulation resistance: ≥1000MΩ
- Contact resistance: ≤10mΩ
- After environmental testing: ≤20mΩ



5050 W V X-04 X-N2 SN XX
 ① ② ③ ④ ⑤ ⑥ ⑦ ⑧ ⑨

- ① Series No
- ② Category: W-WAFER
- ③ Welding Board Angle: V-180°
- ④ Welding Way: Blank-DIP
- ⑤ Row No.-Pin No.: XX-Single Row
- ⑥ Special No:
- ⑦ Material: N2-PA66 94V-2
- ⑧ Plating Category: SN-Bright Tin Plating
- ⑨ Color : Blank-Natural Color ; BK-Black



Recommended P.C.B Layout
 General Tolerance±0.05

5050WV-04-N2SNBK	Nylon 66 UL 94V-2 Black	Brass	Tin-Plated	5050H
5050WV-04-N2SN	Nylon 66 UL 94V-2			
PART NO	Material	Material(Pin)	Finish(Pin)	Mates With ADZL Housing

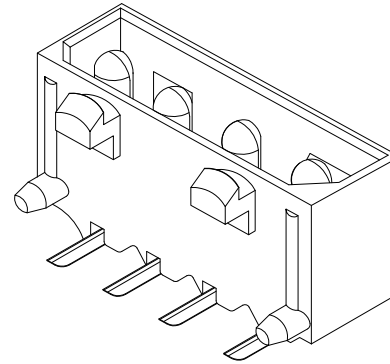
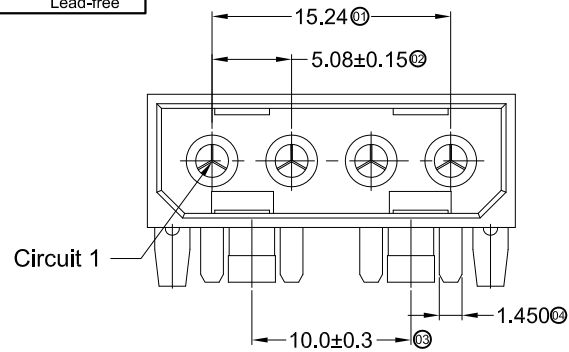
DATE	OLD REV	NEW REV	ECN	DESCRIPTION	CHECK	APPROVAL	PROJECT	

GENERAL TOLERANCE	
.X	±0.30
.XX	±0.20
.XXX	±0.10

 思量连接器有限公司
 ADZL CONNECTORS CO.,LTD

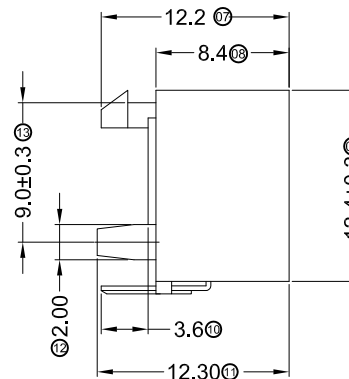
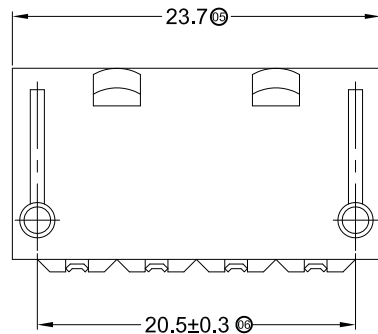
APPROVAL	CHECK	DRAWN	DATA
Ken	Wisely He	Allen	2017/05/03

PART NO. 5050WV-04-N2SN			
TITLE 5.08mm Crimp Style Connectors			
UNIT	SCALE	NUMBER	REV
MM	1:1	A-106	F



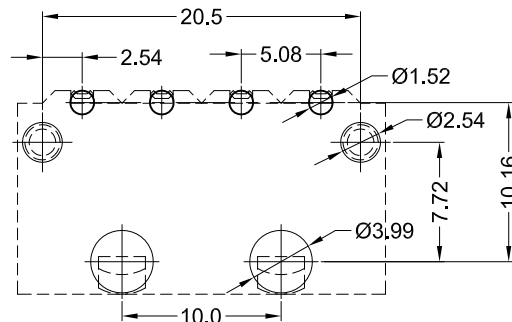
■ Specifications :

- Voltage rating: 250V AC / DC
- Current rating: 10A AC / DC
- Withstanding voltage: 1500V AC/minute
- Temperature range: -25°C~+85°C
- Insulation resistance: ≥1000MΩ
- Contact resistance: ≤10mΩ
- After environmental testing: ≤20mΩ



5050 W R X-04S X-XX SN XX
 ① ② ③ ④ ⑤ ⑥ ⑦ ⑧ ⑨

- ① Series No
- ② Category: W-WAFER
- ③ Welding Board Angle: R-90°
- ④ Welding Way: Blank-DIP
- ⑤ Row No.-Pin No.: XX-Single Row
- ⑥ Special No: S-With Positioning Column
- ⑦ Material: N0-PA66 94V-0 ; N2-PA66 94V-2
- ⑧ Plating Category: SN-Bright Tin Plating
- ⑨ Color : Blank-Natural Color



Recommended P.C.B Layout
 General Tolerance±0.05

5050WR-04S-N0SN	Nylon 66 UL 94V-0	Brass	Tin-Plated	5050H
5050WR-04S-N2SNBK	Nylon 66 UL 94V-2 Black			
5050WR-04S-N2SN	Nylon 66 UL 94V-2			
PART NO	Material	Material(Pin)	Finish(Pin)	Mates With ADZL Housing

GENERAL TOLERANCE
.X ±0.30
.XX ±0.20
.XXX ±0.10



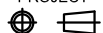
PART NO. 5050WR-04S-XXSN

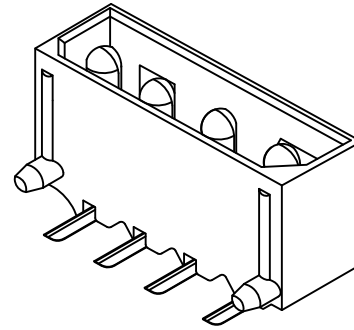
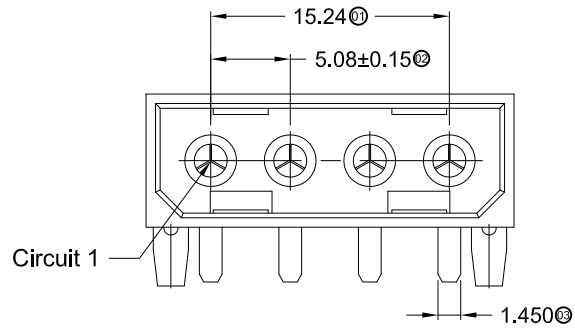
TITLE 5.08mm Crimp Style Connectors

APPROVAL CHECK DRAWN DATA

Ken Wisely He Allen 2017/05/03

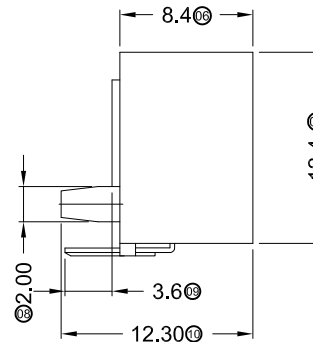
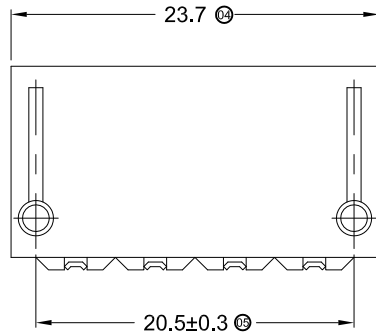
UNIT	SCALE	NUMBER	REV
MM	1:1	A-000	F

DATE	OLD REV	NEW REV	ECN	DESCRIPTION	CHECK	APPROVAL	PROJECT
							



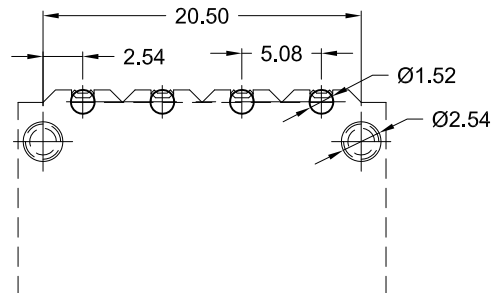
■ Specifications :

- Voltage rating: 250V AC / DC
- Current rating: 10A AC / DC
- Withstanding voltage: 1500V AC/minute
- Temperature range: -25°C~+85°C
- Insulation resistance: ≥1000MΩ
- Contact resistance: ≤10mΩ
- After environmental testing: ≤20mΩ




5050 W R X-04 X-XX SN XX
 ① ② ③ ④ ⑤ ⑥ ⑦ ⑧ ⑨

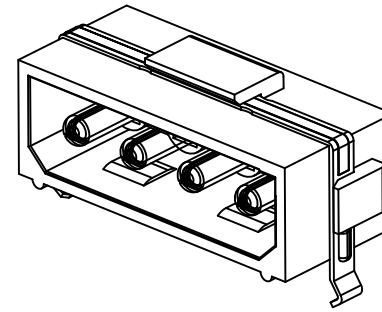
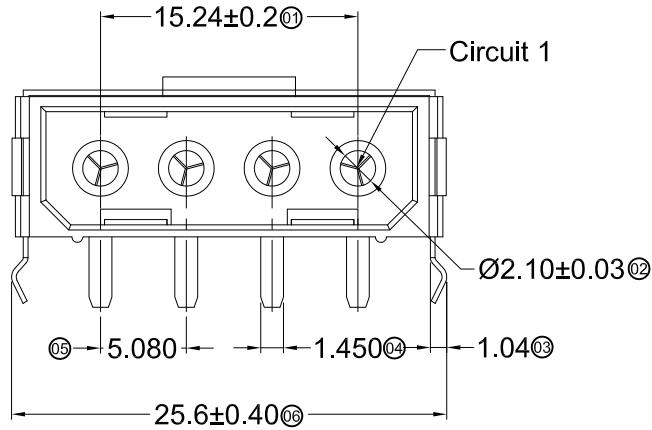
- ① Series No
- ② Category: W-WAFER
- ③ Welding Board Angle: R-90°
- ④ Welding Way: Blank-DIP
- ⑤ Row No.-Pin No.: XX-Single Row
- ⑥ Special No:
- ⑦ Material: N0-PA66 94V-0 ; N2-PA66 94V-2
- ⑧ Plating Category: SN-Bright Tin Plating
- ⑨ Color : Blank-Natural Color



Recommended P.C.B Layout
 General Tolerance±0.05

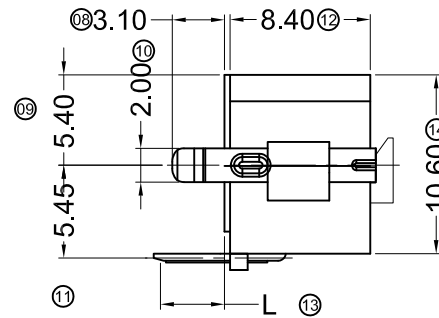
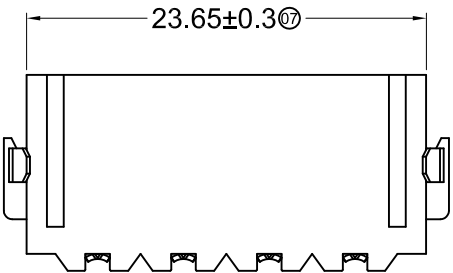
5050WR-04-N0SN	Nylon 66 UL 94V-0	Brass	Tin-Plated	5050H
5050WR-04-N2SNBK	Nylon 66 UL 94V-2 Black			
5050WR-04-N2SN	Nylon 66 UL 94V-2			
PART NO	Material	Material(Pin)	Finish(Pin)	Mates With ADZL Housing

							GENERAL TOLERANCE		 思量连接器有限公司 ADZL CONNECTORS CO.,LTD				PART NO. 5050WR-04-XXSN			
							.X ±0.30 .XX ±0.20 .XXX ±0.10						TITLE 5.08mm Crimp Style Connectors			
DATE	OLD REV	NEW REV	ECN	DESCRIPTION	CHECK	APPROVAL	PROJECT	APPROVAL	CHECK	DRAWN	DATA	UNIT	SCALE	NUMBER	REV	
							Ken	Wisely He	Allen	2017/05/03		MM	1:1	A-106	D	



■ Specifications :

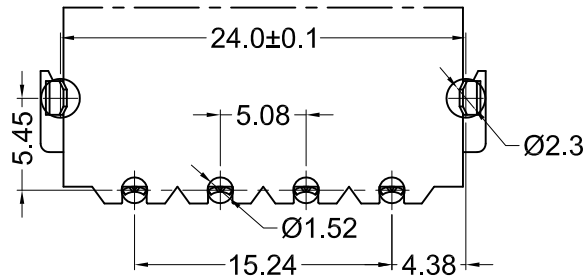
- Voltage rating: 250V AC / DC
- Current rating: 10A AC / DC
- Withstanding voltage: 1500V AC/minute
- Temperature range: -25°C~+85°C
- Insulation resistance: ≥1000MΩ
- Contact resistance: ≤10mΩ
- After environmental testing: ≤20mΩ



5050 W R X-04B-XX SN XX

① ② ③ ④ ⑤ ⑥ ⑦ ⑧ ⑨

- ① Series No
- ② Category: W-WAFER
- ③ Welding Board Angle: R-Right Angle 90°
- ④ Welding Way: Blank-DIP
- ⑤ Row No.-Pin No.: XX-Single Row
- ⑥ Special No: B-With buckle、the positive angle,L=4.20mm
△ BF-With buckle、the positive angle,L=2.70mm
- ⑦ Material: 6T-PA6T 94V-0 ; 9T-PA9T 94V-0
N2-PA66 94V-2
- ⑧ Plating Category: SN-Bright Tin Plating
- ⑨ Color : Blank-Natural Color ; BK-Black



Recommended P.C.B Layout
General Tolerance±0.05

5050WR-04B-N2SN	Nylon 66 UL 94V-2	Brass	Tin-Plated	Stainless Steel	Tin-Plated	5050H
5050WR-04B-9TSN	Nylon 9T UL 94V-0					
5050WR-04B-6TSN	Nylon 6T UL 94V-0					
PART NO	Material	Material(Pin)	Finish(Pin)	Material (MetalBand)	Finish (MetalBand)	Mates With ADZL Housing

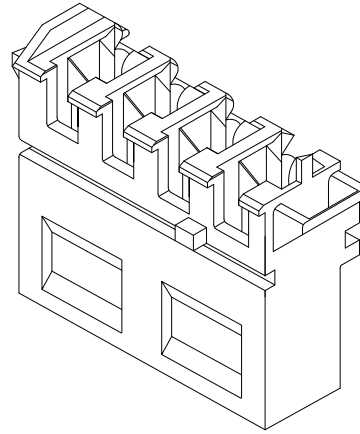
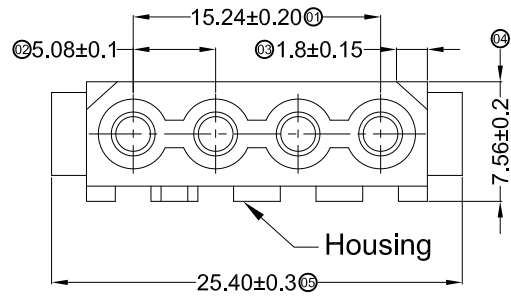
DATE	OLD REV	NEW REV	ECN	DESCRIPTION	CHECK	APPROVAL	PROJECT	APPROVAL	CHECK	DRAWN	DATA	UNIT	SCALE	NUMBER	REV
							Ken	Wisely He	Allen	2017.05.03	MM	1:1	A-000	F	

GENERAL TOLERANCE
.X ±0.30
.XX ±0.20
.XXX ±0.10



PART NO. 5050WR-04BX-XXSN

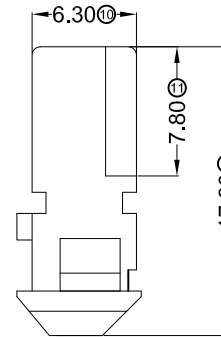
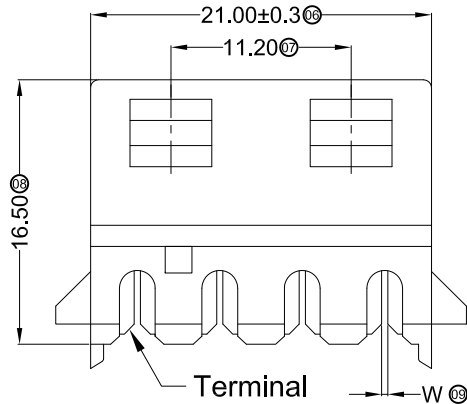
TITLE 5.08mm Crimp Style Connectors



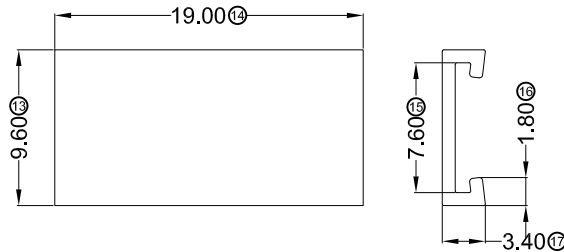
Specifications :

- Voltage rating: 250V AC / DC
- Current rating: 10A AC / DC
- Withstanding voltage: 1500V AC/minute
- Temperature range: -25°C~+85°C
- Insulation resistance: ≥1000MΩ
- Contact resistance: ≤10mΩ
- After environmental testing: ≤20mΩ

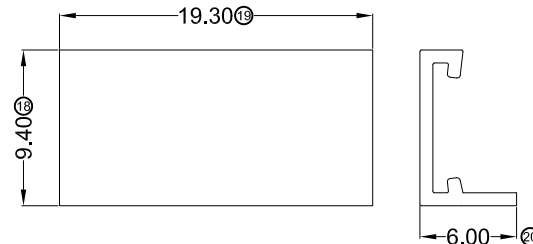
5050 HI -04 X-XX XX
① ②③ ④ ⑤ ⑥ ⑦



- ① Series No.
- ② Category: H- HSG
- ③ Welding Board Angle:
I- HSG Plus hardware assembly products
- ④ Row No.-Pin No.: 04-04P
- ⑤ Plug the Pin & special No.:
V18- AWG#18 With 180° CAP
V20- AWG#20-22 With 180° CAP
R18- AWG#18 With 90° CAP
R20- AWG#20-22 With 90° CAP
- ⑥ Material: N0-PA66 UL 94V-0
N2-PA66 UL 94V-2
- ⑦ Color: Blank- Natural Color



5050CV-N2



5050CR-N2

5050HI-04R20-N0	Nylon66 UL 94V-0	Brass	Tin-Plated	AWG#20-22,90° CAP	0.54
5050HI-04R20-N2	Nylon66 UL 94V-2			AWG#20-22,90° CAP	0.54
5050HI-04R18-N2				AWG#18,90° CAP	0.58
5050HI-04V20-N2				AWG#20-22,180° CAP	0.54
5050HI-04V18-N2				AWG#18,180° CAP	0.58
PART NO	Material	Material (Terminal)	Finish (Terminal)	Wire Range	W

GENERAL TOLERANCE

.X ±0.30
.XX ±0.20
.XXX ±0.10

 思量连接器有限公司
ADZL CONNECTORS CO.,LTD

PART NO. 5050HI-04X-XX

APPROVAL CHECK DRAWN DATA

TITLE 5.08mm Crimp Style Connectors

DATE	OLD REV	NEW REV	ECN	DESCRIPTION	CHECK	APPROVAL	PROJECT	APPROVAL	CHECK	DRAWN	DATA
							Ken	Wisely He	Allen	2017.05.03	

UNIT	SCALE	NUMBER	REV
MM	1:1	A-007	D