



| | | | |
|---|---------------------|------------------|---------------------------------|
| Type Document | Crimp Specification | Revised /Edition | A |
| Date Issued: | | Data Revised: | 2014/12/18 |
| Subject: 8672T-XXX 3.96mm Pitch Wire to Board Series Terminal. | | | Issued By: Engineering Dept. |

Description:

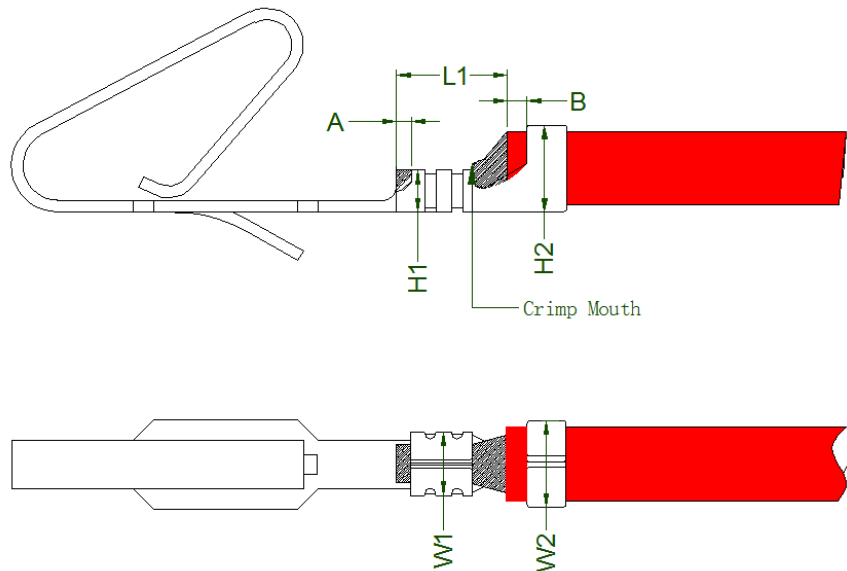
Height and width of crimped core should be set as required.

(Crimped height and width of wire barrel)

According to the external diameter and the type of electric wire, the width of crimped sheath shall be adjusted wire won't be easily taken off from contact nor too much crimped.

(Crimped width of insulation barrel)

Position Graph:



Note:

1. Conductor crimp width. W1
2. Conductor crimp height. H2
3. Insulator crimp width. W1
4. Insulator crimp height. W2
5. Conductor wire shall be dimension long (mm) out A.
6. Naked part of sheathed wire must be located in the vicinity of center B.
7. The Crimp mouth must be equipped like Shell.



| | | | |
|---|---------------------|------------------|---------------------------------|
| Type Document | Crimp Specification | Revised /Edition | A |
| Date Issued: | | Data Revised: | 2014/12/18 |
| Subject: 8672T-XXX 3.96mm Pitch Wire to Board Series Terminal. | | | Issued By: Engineering Dept. |

Requirement:

| Subject: UL 1007 or equivalent type electric wire | | | | | |
|---|------------------------------|-------------|----------------------|------------------------|------------------------------|
| AWG# | Conductor (mm ²) | | Insulation Diameter | Insulator skins length | Dim. L (mm) out |
| #18~#26 | 0.87~0.22mm ² | | 1.45~2.10mm | 4.0~4.5mm | 1.5~2.0mm |
| Wire Gauge (AWG#) | Conductor Crimp Area | | Insulator Crimp Area | | Terminal Tensile Strength |
| | Width(W1) | Height(H1) | Width(W2) | Height(H2) | |
| #18 | 1.60~1.70mm | 1.05~1.10mm | 2.90mm Max. | 1.80~1.90mm | 6.0Kgf |
| #20 | | 1.00~1.05mm | | 1.70~1.80mm | 5.0Kgf |
| #22 | | 0.95~1.00mm | | 1.60~1.70mm | 4.0Kgf |
| #24 | | 0.90~0.95mm | | 1.50~1.60mm | 3.0Kgf |
| #26 | | 0.85~0.95mm | | 1.40~1.50mm | 2.0Kgf |

Remarks:

Unlike equipments and crimp reel molds skill facility or not shall be difference to result in dissimilar.

Signature: Liupinghua ENG
Dongguan SWB CONNECTOR CO.,LTD.