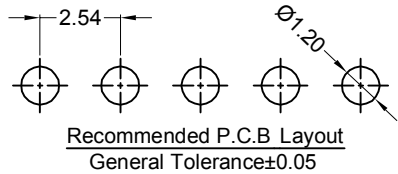
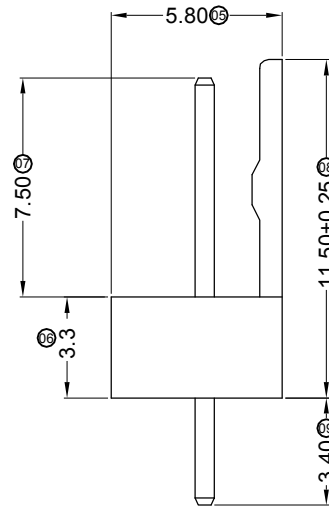
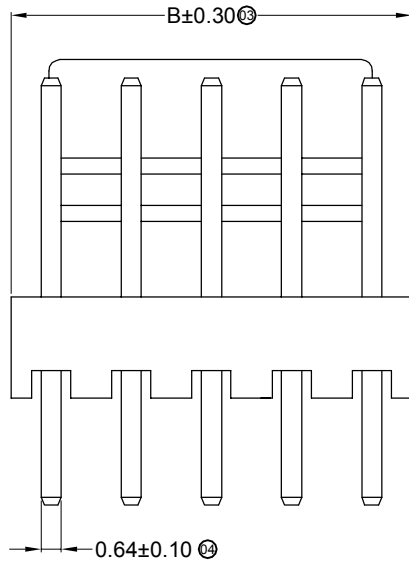
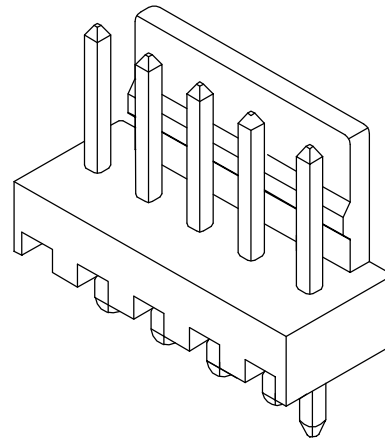
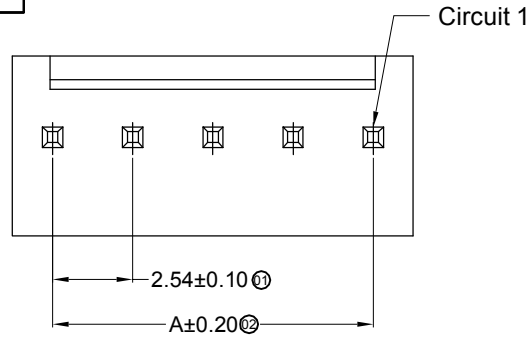


RoHS  Lead-free

TEL:0769-82285488



■ Specifications :

- Voltage rating: 250V AC / DC
- Current rating: 3A AC / DC
- Withstanding voltage: 800V AC/minute
- Temperature range: -25°C~+85°C
- Insulation resistance: ≥1000MΩ
- Contact resistance: ≤10mΩ
- After environmental testing: ≤20mΩ

2510 W V X-XX X-XX SN XX
① ② ③ ④ ⑤ ⑥ ⑦ ⑧ ⑨

- ① Series No.
- ② Category: W-wafer
- ③ Welding Board Angle: V- Straight 180°
- ④ Welding Way: Blank-DIP
- ⑤ Row No.-Pin No.: XX-02P~20P
- ⑥ Plug the Pin & Special No.
- ⑦ Material: N0-PA66 94V-0 ; N2-PA66 94-2
- ⑧ Planting Category: SN-Bright tin plating ;
- ⑨ Color: Blank-natural color ;

Poles	Dimensions(mm)		Poles	Dimensions(mm)	
	A	B		A	B
02	2.54	5.08	12	27.94	30.48
03	5.08	7.62	13	30.48	33.02
04	7.62	10.16	14	33.02	35.56
05	10.16	12.70	15	35.56	38.10
06	12.70	15.24	16	38.10	40.64
07	15.24	17.78	17	40.64	43.18
08	17.78	20.32	18	43.18	45.72
09	20.32	22.86	19	45.72	48.26
10	22.86	25.40	20	48.26	50.80
11	25.40	27.94			

2510WV-XX-N2SN	Nylon 66 UL 94V-2	Brass	Tin-Plated	2510H
2510WV-XX-N0SN	Nylon 66 UL 94V-0			
PART NO	Material	Material(Pin)	Finish(Pin)	Mates With ADZL Housing

GENERAL TOLERANCE

.X ±0.30
.XX ±0.20
.XXX ±0.10

 思量连接器有限公司
ADZL CONNECTORS CO.,LTD

PART NO.

2510WV-XX-XXSN

TITLE

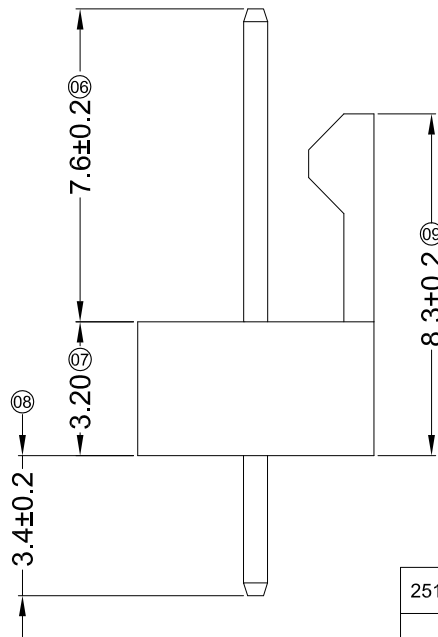
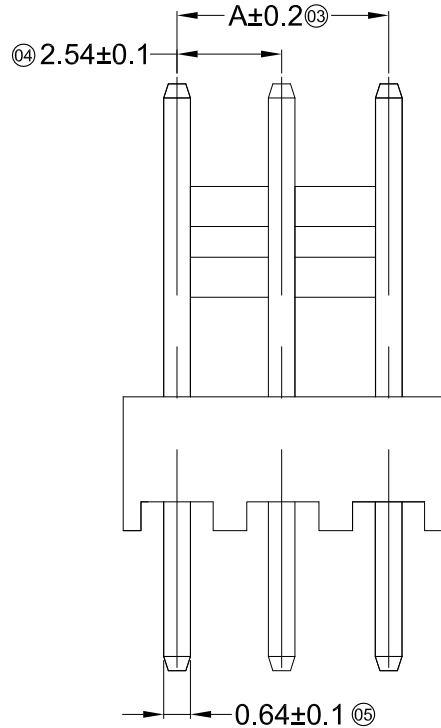
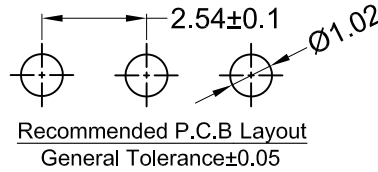
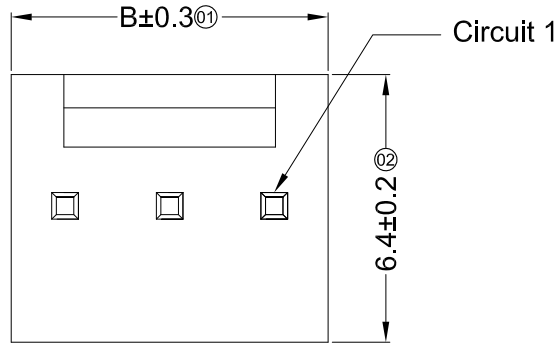
2.54 mm Crimp Style Connectors

DATE	OLD REV	NEW REV	ECN	DESCRIPTION	CHECK	APPROVAL

PROJECT


APPROVAL	CHECK	DRAWN	DATA
Ken	Wisely He	Allen	2017/05/03

UNIT	SCALE	NUMBER	REV
MM	1:1	A-075	D



■ Specifications :

- Voltage rating: 250V AC / DC
- Current rating: 3A AC / DC
- Withstanding voltage: 800V AC/minute
- Temperature range: -25°C~+85°C
- Insulation resistance: ≥1000MΩ
- Contact resistance: ≤10mΩ
- After environmental testing: ≤20mΩ

2510 W V X-XX SP-N0 SN XX
 ① ② ③ ④ ⑤ ⑥ ⑦ ⑧ ⑨

- ① Series No.
- ② Category: W-wafer
- ③ Welding Board Angle: V- Straight 180°
- ④ Welding Way: Blank-DIP
- ⑤ Row No.-Pin No.: XX-02P~20P
- ⑥ Plug the Pin & Special No.: SP-Short of back
- ⑦ Material: N0-PA66 94V-0 ;
- ⑧ Planting Category: SN-Bright tin plating ;
- ⑨ Color: Blank-natural color ;

Poles	Dimensions(mm)		Poles	Dimensions(mm)	
	A	B		A	B
02	2.54	5.08	12	27.94	30.48
03	5.08	7.62	13	30.48	33.02
04	7.62	10.16	14	33.02	35.56
05	10.16	12.70	15	35.56	38.10
06	12.70	15.24	16	38.10	40.64
07	15.24	17.78	17	40.64	43.18
08	17.78	20.32	18	43.18	45.72
09	20.32	22.86	19	45.72	48.26
10	22.86	25.40	20	48.26	50.80
11	25.40	27.94			

2510WV-XXSP-N0SN	Nylon 66 UL 94V-0	Brass	Tin-Plated	2510H
PART N0	Material	Material(Pin)	Finish(Pin)	Mates With ADZL Housing

GENERAL TOLERANCE

- .X ±0.30
- .XX ±0.20
- .XXX ±0.10




PART NO. 2510WV-XXSP-N0SN

TITLE 2.54 mm Crimp Style Connectors

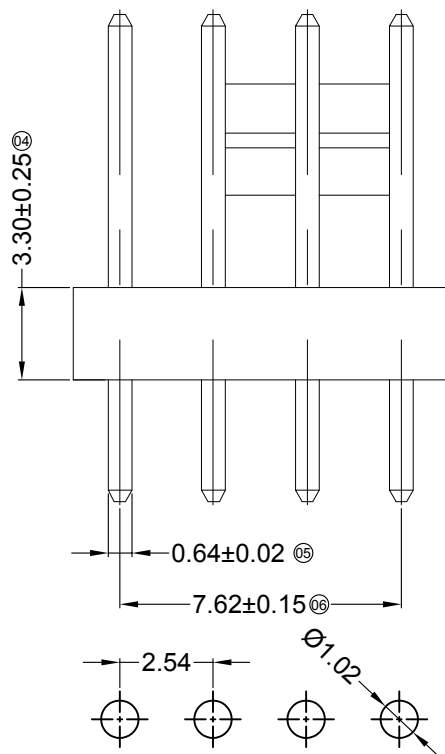
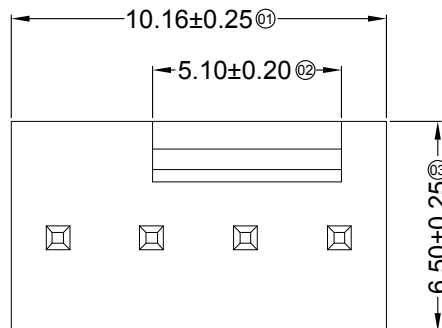
APPROVAL	CHECK	DRAWN	DATA
Ken	Wisely He	Allen	2017/05/03

UNIT	SCALE	NUMBER	REV
MM	1:1	A-000	D

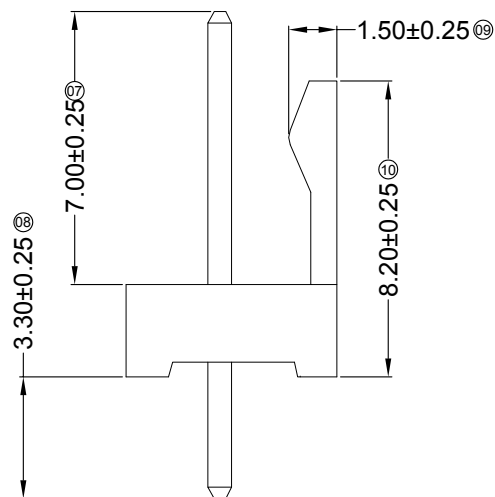
DATE	OLD REV	NEW REV	ECN	DESCRIPTION	CHECK	APPROVAL	PROJECT
							

RoHS  Lead-free

TEL:0769-82285488



Recommended P.C.B Layout
General Tolerance±0.05



■ Specifications :

- Voltage rating: 250V AC / DC
- Current rating: 3A AC / DC
- Withstanding voltage: 800V AC/minute
- Temperature range: -25°C~+85°C
- Insulation resistance: ≥1000MΩ
- Contact resistance: ≤10mΩ
- After environmental testing: ≤20mΩ

2510 W V X-04 B-N0 SN XX

① ② ③ ④ ⑤ ⑥ ⑦ ⑧ ⑨

- ① Series No.
- ② Category: W-wafer
- ③ Welding Board Angle: V- Straight 180°
- ④ Welding Way: Blank-DIP
- ⑤ Row No.-Pin No.: 04-04P
- ⑥ Plug the Pin & Special No.:
B-Lack of back of a chair;short back
- ⑦ Material: N0-PA66 94V-0 ;
- ⑧ Planting Category: SN-Bright tin plating ;
- ⑨ Color: Blank-natural color ;

2510WV-04B-N0SN	Nylon 66 UL 94V-0	Brass	Tin-Plated	2510H
PART NO	Material	Material(Pin)	Finish(Pin)	Mates With ADZL Housing

GENERAL TOLERANCE

.X ±0.30
.XX ±0.20
.XXX ±0.10

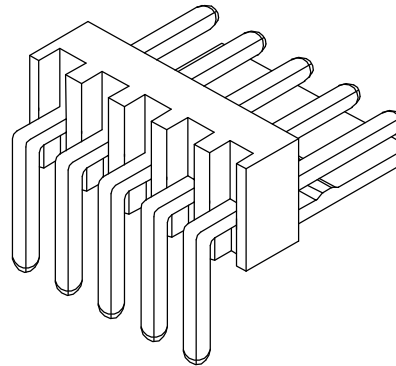
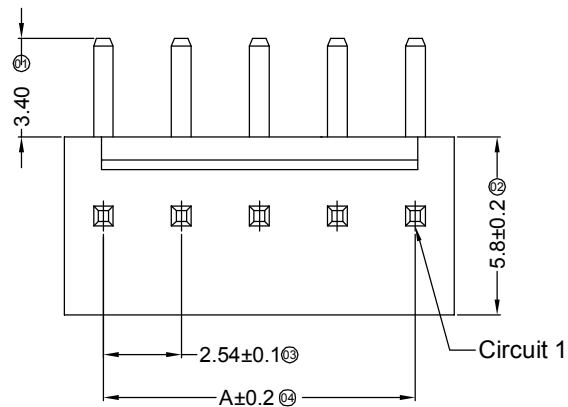
 东莞市思量连接器有限公司
DONGGUAN ADZL CONNECTORS CO.,LTD

PART NO.
2510WV-04B-N0SN

TITLE
2.54 mm Crimp Style Connectors

DATE	OLD REV	NEW REV	ECN	DESCRIPTION	CHECK	APPROVAL	PROJECT	APPROVAL	CHECK	DRAWN	DATA
							Ken	Wisely He	Allen	2017/05/03	

UNIT	SCALE	NUMBER	REV
MM	1:1	A-106	D

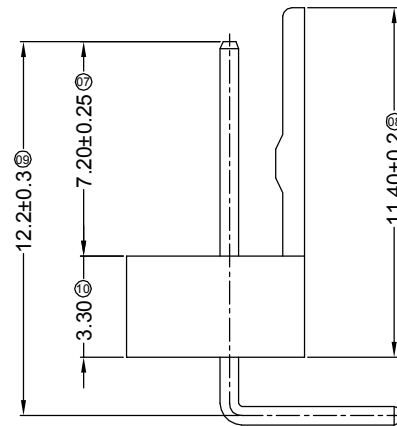
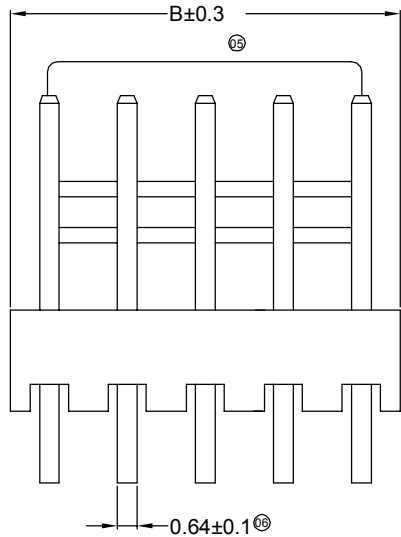


■ Specifications :

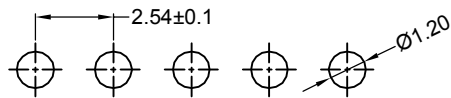
- Voltage rating: 250V AC / DC
- Current rating: 3A AC / DC
- Withstanding voltage: 800V AC/minute
- Temperature range: -25°C~+85°C
- Insulation resistance: ≥1000MΩ
- Contact resistance: ≤10mΩ
- After environmental testing : ≤20mΩ

2510 W R X-XX X-XX SN XX
① ② ③ ④ ⑤ ⑥ ⑦ ⑧ ⑨

- ① Series No.
- ② Category: W-wafer
- ③ Welding Board Angle: R- Right Angle 90°
- ④ Welding Way: Blank-DIP
- ⑤ Row No.-Pin No.: XX-02P~20P
- ⑥ Plug the Pin & Special No.:
- ⑦ Material : N0-PA66 94V-0 ; N2-PA66 94V-2
- ⑧ Planting Category: SN-Bright tin plating ;
- ⑨ Color: Blank-natural color BN-Brown



Poles	Dimensions(mm)		Poles	Dimensions(mm)	
	A	B		A	B
02	2.54	5.08	12	27.94	30.48
03	5.08	7.62	13	30.48	33.02
04	7.62	10.16	14	33.02	35.56
05	10.16	12.70	15	35.56	38.10
06	12.70	15.24	16	38.10	40.64
07	15.24	17.78	17	40.64	43.18
08	17.78	20.32	18	43.18	45.72
09	20.32	22.86	19	45.72	48.26
10	22.86	25.40	20	48.26	50.80
11	25.40	27.94			



Recommended P.C.B Layout
General Tolerance±0.05

2510WR-XX-N0SNBN	Nylon 66 UL 94V-0	Brass	Tin-Plated	2510H
2510WR-XX-N2SN	Nylon 66 UL 94V-2			
PART NO	Material	Material(Pin)	Finish(Pin)	Mates With ADZL Housing

GENERAL TOLERANCE

.X	±0.30
.XX	±0.20
.XXX	±0.10



PART NO.
2510WR-XX-XXSNXX

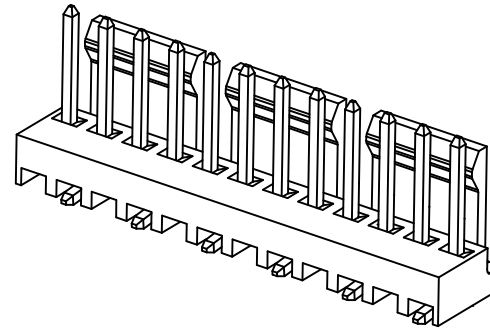
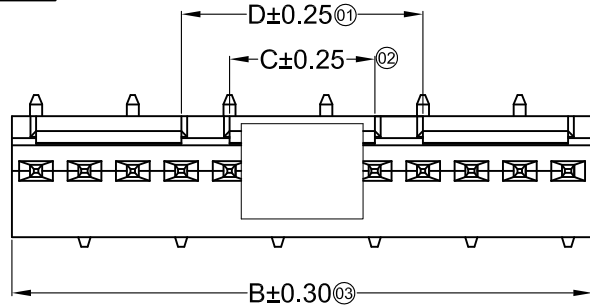
TITLE
2.54 mm Crimp Style Connectors

DATE	OLD REV	NEW REV	ECN	DESCRIPTION	CHECK	APPROVAL

PROJECT

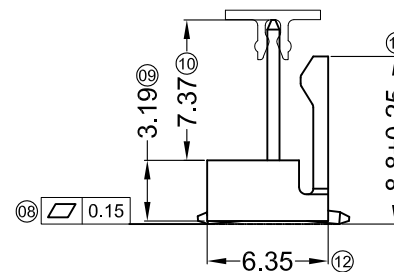
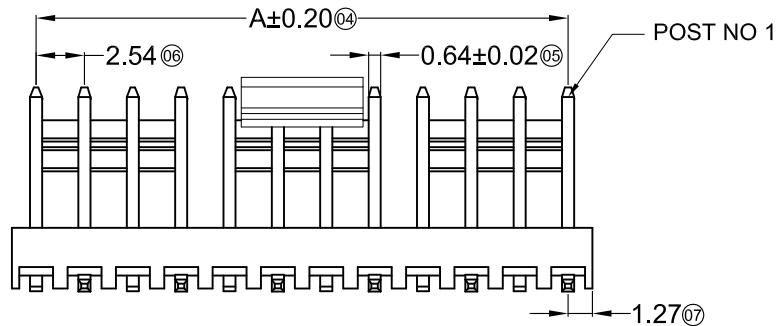

APPROVAL	CHECK	DRAWN	DATA
Ken	Wisely He	Allen	2017/05/03

UNIT	SCALE	NUMBER	REV
MM	1:1	A-075	D



■ Specifications :

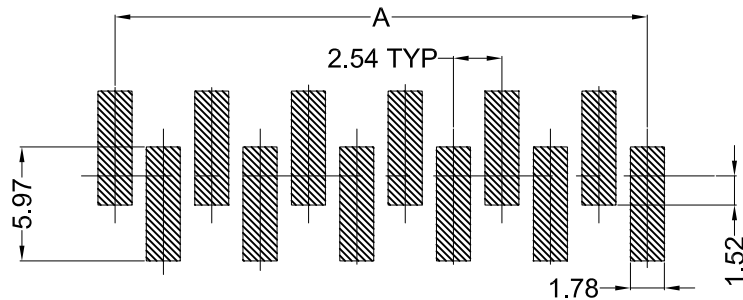
- Voltage rating: 250V AC / DC
- Current rating: 4A AC / DC
- Withstanding voltage: 800V AC/minute
- Temperature range: -25°C~+85°C
- Insulation resistance: ≥1000MΩ
- Contact resistance: ≤10mΩ
- After environmental testing: ≤20mΩ



2511 W V S- XX SC-LP SW XX

① ② ③ ④ ⑤ ⑥ ⑦ ⑧ ⑨

- ① Series No.
- ② Category: W-wafer
- ③ Welding Board Angle: V-180°
- ④ Welding Way: S-SMT
- ⑤ Row No.-Pin No. XX-Single row
- ⑥ Special NO. SC-short back and with slot
- ⑦ Material: LP-LCP 94V-0
- ⑧ Planting Category: SW-Matte Tin plating
- ⑨ Color: Blank-natural color ;



Recommended P.C.B Layout
General Tolerance±0.05

Poles	Dimensions(mm)				Poles	Dimensions(mm)			
	A	B	C△	D△		A	B	C△	D△
02	2.54	5.08			12	27.94	30.48	7.62	12.70
03	5.08	7.62			13	30.48	33.02	7.62	15.24
04	7.62	10.16			14	33.02	35.56	12.70	17.78
05	10.16	12.70			15	35.56	38.10	12.70	20.32
06	12.70	15.24			16	38.10	40.64	12.70	22.86
07	15.24	17.78			17	40.64	43.18	12.70	25.40
08	17.78	20.32		2.54	18	43.18	45.72	12.70	27.94
09	20.32	22.86		5.08					
10	22.86	25.40		7.62					
11	25.40	27.94		10.16					

2511WVS-XXSC-LPSW	LCP UL 94V-0 Black	Brass	Matte Tin Plating	2511H
PART NO	Material	Material(Pin)	Finish(Pin)	Mates With ADZL Housing

GENERAL TOLERANCE	
.X	±0.30
.XX	±0.20
.XXX	±0.10

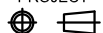


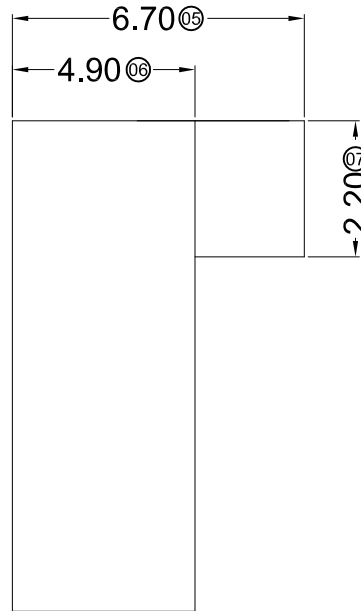
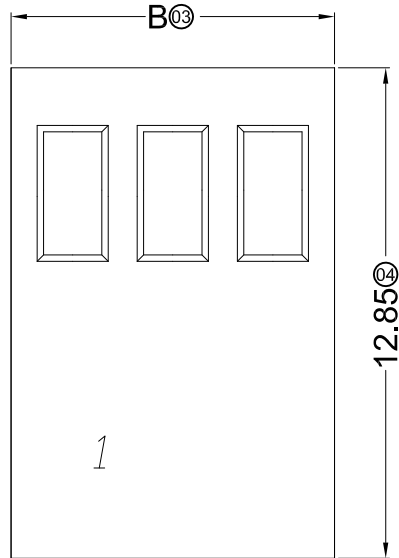
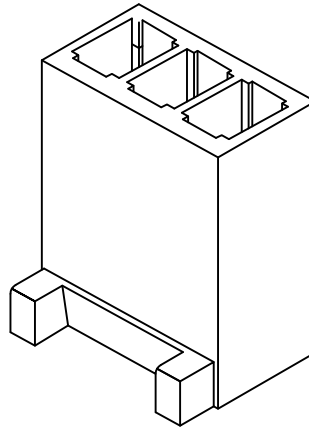
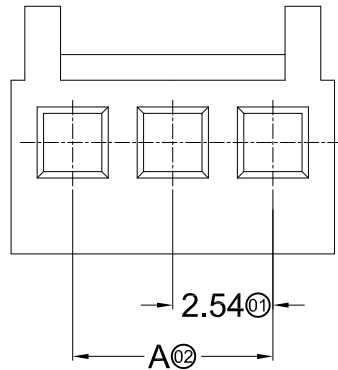
PART NO. 2511WVS-XXSC-LPSW

TITLE 2.54mm Crimp Style Connectors

APPROVAL	CHECK	DRAWN	DATA
Ken	Wisely He	Allen	2017/05/03

UNIT	SCALE	NUMBER	REV
MM	1:1	A-000	G

DATE	OLD REV	NEW REV	ECN	DESCRIPTION	CHECK	APPROVAL	PROJECT
							



Specifications :

- Voltage rating: 250V AC / DC
- Current rating: 3A AC / DC
- Withstanding voltage: 800V AC/minute
- Temperature range: -25°C~+85°C
- Insulation resistance: ≥1000MΩ
- Contact resistance: ≤10mΩ
- After environmental testing: ≤20mΩ

2510 H X-XX A-XX XX
 ① ② ③ ④ ⑤ ⑥ ⑦

- ① Series No.
- ② Category: H-HSG
- ③ Welding Board Angle: Blank-ordinary
- ④ Row No.-Pin No.: XX-02P~20P
- ⑤ Plug the Pin & special No.:
A-on both sides of short salient point
- ⑥ Material: N2-PA66 94V-2;
- ⑦ Color: Blank-Natural Color

Poles	Dimensions(mm)		Poles	Dimensions(mm)	
	A	B		A	B
02	2.54	5.68	12	27.94	31.08
03	5.08	8.22	13	30.48	33.62
04	7.62	10.76	14	33.02	36.16
05	10.16	13.30	15	35.56	38.70
06	12.70	15.84	16	38.10	41.24
07	15.24	18.38	17	40.64	43.78
08	17.78	20.92	18	43.18	46.32
09	20.32	23.46	19	45.72	48.86
10	22.86	26.00	20	48.26	51.40
11	25.40	28.54			

2510H-XXA-N2	Nylon 66 UL 94V-2	2510T	2510W
PART NO	Material	Suitable ADZL Terminal	Mates With ADZL Wafer

GENERAL TOLERANCE
 .X ±0.30
 .XX ±0.20
 .XXX ±0.10

 思量连接器有限公司
 ADZL CONNECTORS CO.,LTD

PART NO. 2510H-XXA-N2

TITLE 2.54 mm Crimp Style Connectors

PROJECT 

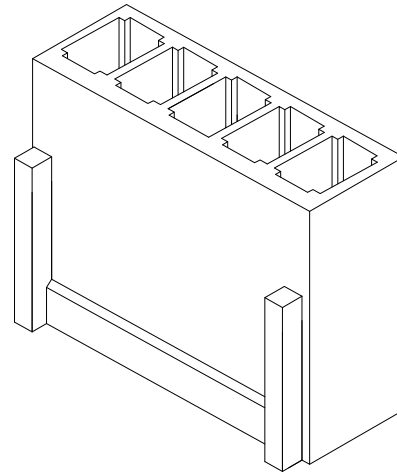
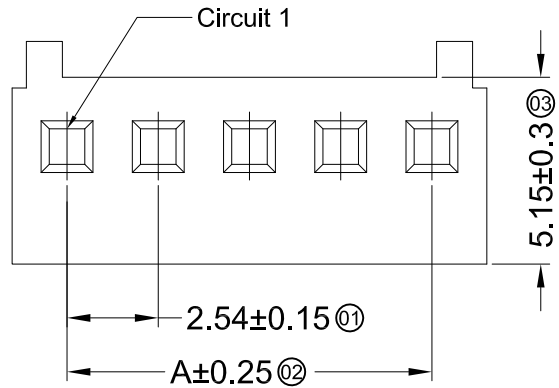
APPROVAL	CHECK	DRAWN	DATA
Ken	Wisely He	Allen	2017/05/03

UNIT	SCALE	NUMBER	REV
MM	1:1	A-009	D

DATE	OLD REV	NEW REV	ECN	DESCRIPTION	CHECK	APPROVAL

RoHS  Lead-free

TEL:0769-82285488



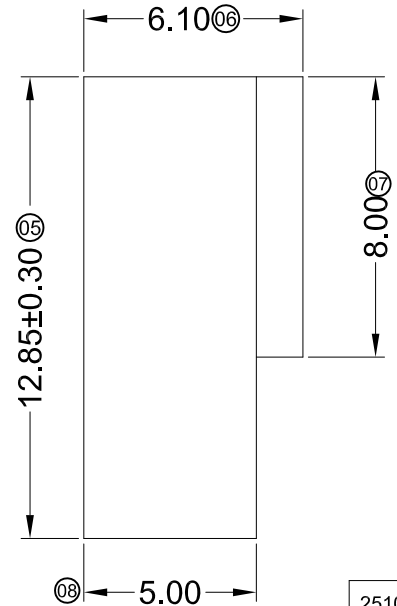
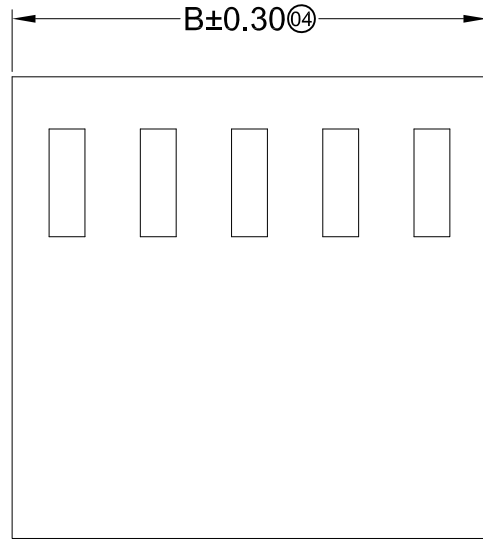
Specifications :

- Voltage rating: 250V AC / DC
- Current rating: 3A AC / DC
- Withstanding voltage: 800V AC/minute
- Temperature range: -25°C~+85°C
- Insulation resistance: ≥1000MΩ
- Contact resistance: ≤10mΩ
- After environmental testing: ≤20mΩ

2510 H X-XX X-N2 XX

① ② ③ ④ ⑤ ⑥ ⑦



- ① Series No.
- ② Category: H-HSG
- ③ Welding Board Angle: Blank-ordinary
- ④ Row No.-Pin No.:XX-Single row
- ⑤ Plug the Pin & special No.
- ⑥ Material: N2-PA66 94V-2
- ⑦ Color: Blank-Natural Color



Poles	Dimensions(mm)		Poles	Dimensions(mm)	
	A	B		A	B
02	2.54	5.68	12	27.94	31.08
03	5.08	8.22	13	30.48	33.62
04	7.62	10.76	14	33.02	36.16
05	10.16	13.30	15	35.56	38.70
06	12.70	15.84	16	38.10	41.24
07	15.24	18.38	17	40.64	43.78
08	17.78	20.92	18	43.18	46.32
09	20.32	23.46	19	45.72	48.86
10	22.86	26.00	20	48.26	51.40
11	25.40	28.54			

2510H-XX-N2	Nylon 66 UL 94V-2	2510T	2510W
PART NO	Material	Suitable ADZL Terminal	Mates With ADZL Wafer

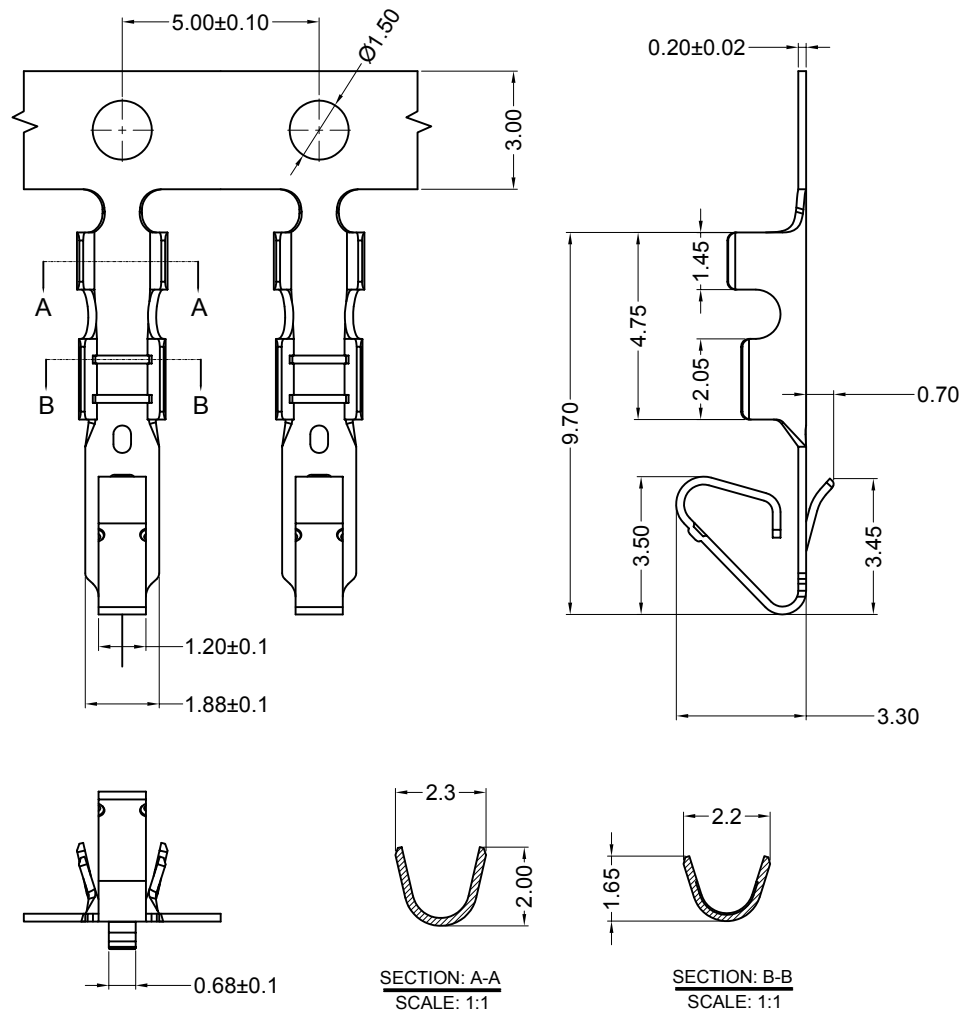
DATE	OLD REV	NEW REV	ECN	DESCRIPTION	CHECK	APPROVAL

GENERAL TOLERANCE	
.X	±0.30
.XX	±0.20
.XXX	±0.10
PROJECT	
	

 思量连接器有限公司
ADZL CONNECTORS CO.,LTD

APPROVAL	CHECK	DRAWN	DATA
Ken	Wisely He	Allen	2014/12/23

PART NO. 2510H-XX-N2			
TITLE 2.54 mm Crimp Style Connectors			
UNIT MM	SCALE 1:1	NUMBER A-039	REV A



■ Specifications :

- Voltage rating: 250V AC / DC
- Current rating: 3A AC / DC
- Withstanding voltage: 800V AC/minute
- Temperature range: -25°C~+85°C
- Insulation resistance: ≥1000MΩ
- Contact resistance: ≤10mΩ
- After environmental testing: ≤20mΩ



2510 T X-B SN X-X

① ② ③ ④ ⑤ ⑥ ⑦

- ① Series Number
- ② Category: T-terminal
- ③ Shape: Blank-ordinary
- ④ Material: B-Brass
- ⑤ Plating style: SN-Bright tin plating ;
- ⑥ Plating method: Blank-Stamping before plating
B-Plating before stamping
- ⑦ Mold No./Mark/Special No.

2510T-BSN	Brass	AWG#22-28	1.57mm(Max)	Stamping Before Plating:30u" Ni;70u"Sn	2510H
PART NO	Material	Wire Range	Insulation O.D.	Finish	Used In ADZL Housing

DATE	OLD REV	NEW REV	ECN	DESCRIPTION	CHECK	APPROVAL	PROJECT		

GENERAL TOLERANCE	
.X	±0.30
.XX	±0.20
.XXX	±0.10
PROJECT	
	

 思量连接器有限公司 ADZL CONNECTORS CO.,LTD			
APPROVAL	CHECK	DRAWN	DATA
Ken	Wisely He	Allen	2020/07/30

PART NO.			
2510T-BSN			
TITLE			
2.54 mm Crimp Style Connectors			
UNIT	SCALE	NUMBER	REV
MM	1:1	A-002	D