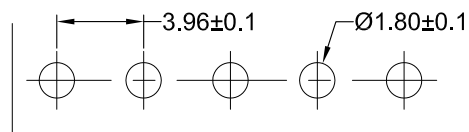
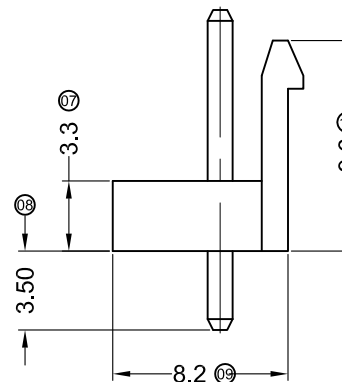
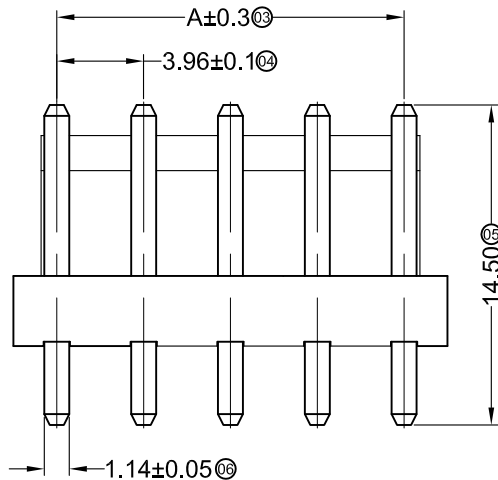
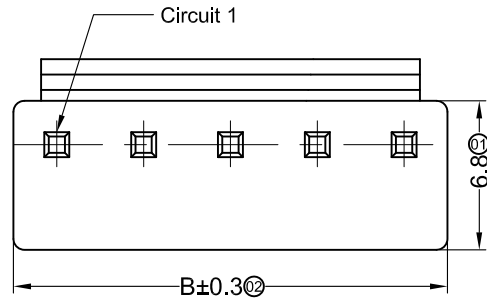


RoHS

TEL:0769-82285488



Recommad PCB Layout

■ Specifications :

- Voltage rating: 250V AC / DC
- Current rating: 7A AC / DC
- Withstanding voltage: 1500V AC/minute
- Temperature range: -25°C~+85°C
- Insulation resistance: $\geq 1000M\Omega$
- Contact resistance: $\leq 10m\Omega$
- After environmental testing: $\leq 20m\Omega$

9396 W V X-XX XX-N0 SN-X -XX
 ① ② ③ ④ ⑤ ⑥ ⑦ ⑧ ⑨ ⑩

- ① Series No
- ② Category: W-WAFER
- ③ Welding Board Angle: V-180°
- ④ Welding Way: Blank-DIP
- ⑤ Row No.-Pin No.: XX-02P~15P
- ⑥ Plug the Pin & Special No.:
- ⑦ Material: N0-PA66 94V-0
- ⑧ Plating Category: SN-Bright Tin Plating
- ⑨ Blank-Spille3.60mm Total long needle14.60mm
- ⑩ Serial number:

Poles	Dimensions(mm)		Poles	Dimensions(mm)	
	A	B		A	B
02	3.96	7.92	09	31.68	35.64
03	7.92	11.88	10	35.64	39.60
04	11.88	15.84	11	39.60	43.56
05	15.84	19.80	12	43.56	47.52
06	19.80	23.76	13	47.52	51.48
07	23.76	27.72	14	51.48	55.44
08	27.72	31.68	15	55.44	59.40

9396WV-XX-N0SN	Nylon 66 UL 94V-0	Brass	Tin-Plated	9396H
PART N0	Material	Material(Pin)	Finish(Pin)	Mates With ADZL Housing

GENERAL TOLERANCE
 .X ± 0.30
 .XX ± 0.20
 .XXX ± 0.10

ADZL 思量连接器有限公司
 ADZL CONNECTORS CO.,LTD

PART NO. 9396WV-XX-N0SN

TITLE 3.96 mm Crimp Style Connectors

APPROVAL CHECK DRAWN DATA

Ken Wisely He Allen 2017/08/07

UNIT	SCALE	NUMBER	REV
MM	1:1	A-007	A

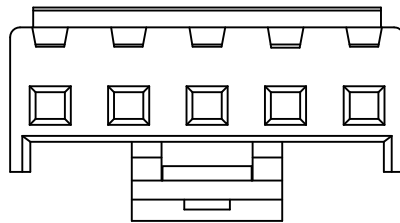
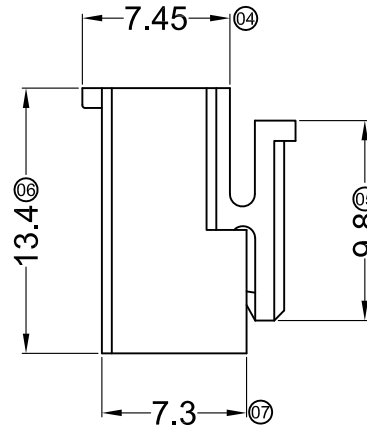
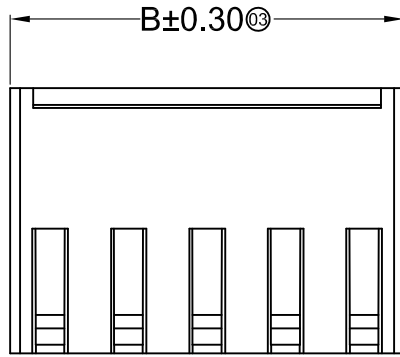
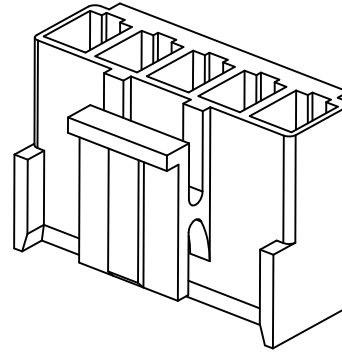
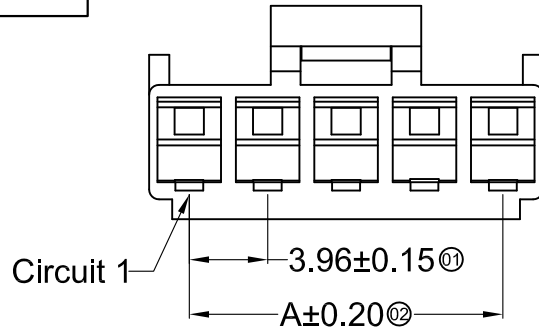
DATE	OLD REV	NEW REV	ECN	DESCRIPTION	CHECK	APPROVAL	PROJECT
1							
2							
3							
4							

1 2 3 4 5 6 7 8

RoHS

WWW.ADZLCONN.COM

TEL:0769-82285488



■ Specifications :

- Voltage rating: 250V AC / DC
- Current rating: 7A AC / DC
- Withstanding voltage: 1500V AC/minute
- Temperature range: -25°C~+85°C
- Insulation resistance: ≥1000MΩ
- Contact resistance: ≤10mΩ
- After environmental testing: ≤20mΩ

9396 H X - XX X - N0 - 02

- ① Series No.
- ② Category: H-HSG
- ③ Welding Board Angle: Blank-ordinary
- ④ Row No.-Pin No.:XX-Single row ;
- ⑤ Plug the Pin & special No.
- ⑥ Material: N0-PA66 94V-0
- ⑦ 02-number

Poles	Dimensions(mm)		Poles	Dimensions(mm)	
	A	B		A	B
02	3.96	8.02	09	31.68	35.74
03	7.92	11.98	10	35.64	39.70
04	11.88	15.94	11	39.60	43.66
05	15.84	19.90	12	43.56	47.62
06	19.80	23.86	13	47.52	51.58
07	23.76	27.82	14	51.48	55.54
08	27.72	31.78	15	55.44	59.50

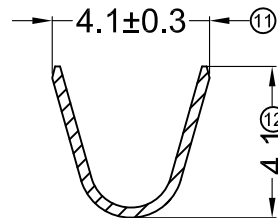
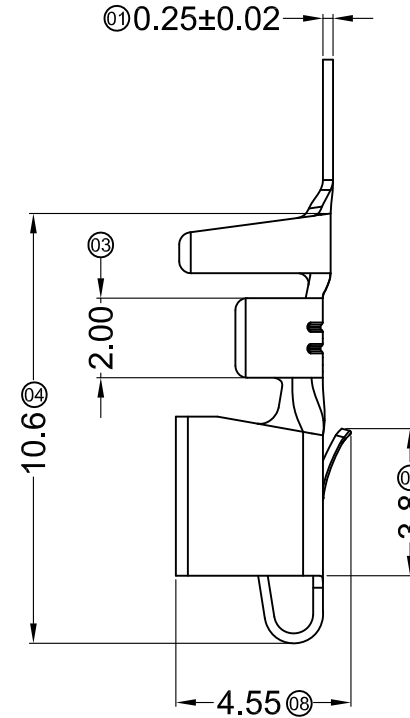
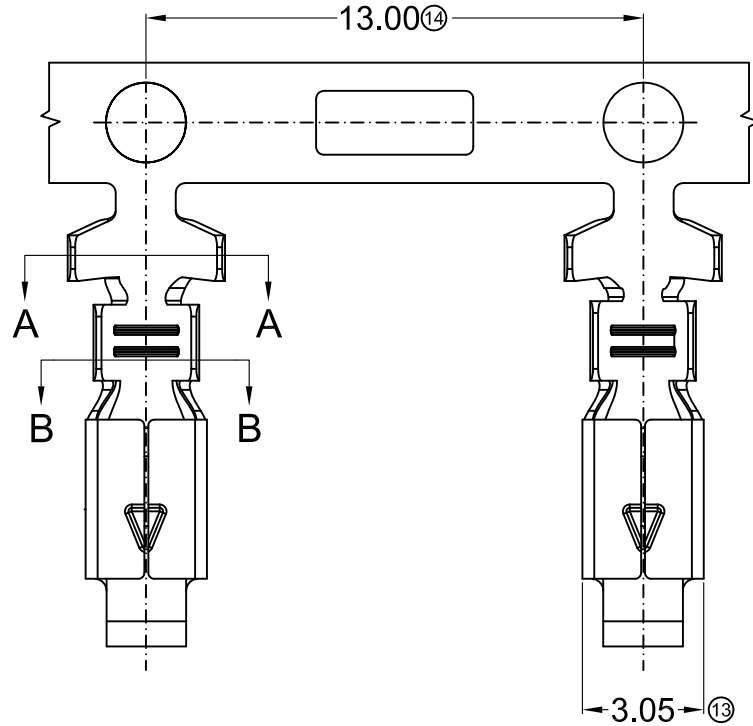
9396H-XX-N0-02	Nylon 66 UL 94V-0	9396T	9396W
PART NO	Material	Suitable ADZL Terminal	Mates With ADZL Wafer

							<p>GENERAL TOLERANCE</p> <p>.X ±0.30</p> <p>.XX ±0.20</p> <p>.XXX ±0.10</p>				<p>PART NO. 9396H-XX-N0-02</p>			
							<p>ADZL 东莞市思量连接器有限公司</p> <p>DONGGUAN ADZL CONNECTORS CO.,LTD</p>				<p>TITLE 3.96mm Crimp Style Connectors</p>			
							APPROVAL	CHECK	DRAWN	DATA				
DATE	OLD REV	NEW REV	ECN	DESCRIPTION	CHECK	APPROVAL	Ken	Wisely He	Allen	2021/05/21	UNIT MM	SCALE 1:1	NUMBER A-039	REV B

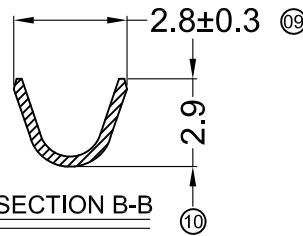
RoHS

WWW.ADZLCONN.COM

TEL:0769-82285488



SECTION A-A
SCALE 1 : 1



SECTION B-B
SCALE 1 : 1

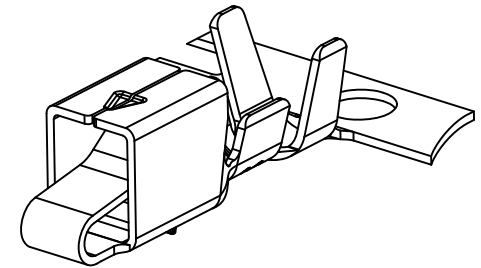
■ Specifications :

- Voltage rating: 250V AC / DC
- Current rating: 7A AC / DC
- Withstanding voltage: 1500V AC/minute
- Temperature range: -25°C~+85°C
- Insulation resistance: ≥1000MΩ
- Contact resistance: ≤10mΩ
- After environmental testing: ≤20mΩ

9396 T X - P SN X - X

① ② ③ ④ ⑤ ⑥ ⑦

- ① Series Number
- ② Category: T-terminal
- ③ Shape: Blank-ordinary
- ④ Material: P-Phosphor brass
- ⑤ Plating style: SN-Bright tin plating
- ⑥ Plating method:
Blank-Stamping before plating
B-Plating before stamping
- ⑦ 01-number



9396T-PSN	Phosphor Brass	AWG#18-22	3.00mm(Max)	Stamping Before Plating:30u" Ni;70u"Sn	9396H
PART NO	Material	Wire Range	Insulation O.D.	Finish	Used In ADZL Housing

GENERAL TOLERANCE
.X ±0.30
.XX ±0.20
.XXX ±0.10

ADZL 东莞市思量连接器有限公司
DONGGUAN ADZL CONNECTORS CO.,LTD

PART NO. 9396T-PSN

TITLE 3.96mm Crimp Style Connectors

APPROVAL CHECK DRAWN DATA

Ken Wisely He Allen 2020/02/28

UNIT MM	SCALE 1 : 1	NUMBER A-039	REV B
---------	-------------	--------------	-------

DATE	OLD REV	NEW REV	ECN	DESCRIPTION	CHECK	APPROVAL
1			2			4

