

■ Specifications :

- Voltage rating: 250V AC / DC
- Current rating: 2A AC / DC
- Withstanding voltage: 1000V AC/minute
- Temperature range: -25°C~+85°C
- Insulation resistance: ≥1000MΩ
- Contact resistance: ≤20mΩ
- After environmental testing: ≤30mΩ

Poles	Dimensions (mm)	
	A	B
4	2.00	4.50
6	4.00	6.50
8	6.00	8.50
10	8.00	10.50
12	10.00	12.50
14	12.00	14.50
16	14.00	16.50
18	16.00	18.50
20	18.00	20.50
22	20.00	22.50
24	22.00	24.50
26	24.00	26.50
28	26.00	28.50
30	28.00	30.50
32	30.00	32.50
34	32.00	34.50
36	34.00	36.50
38	36.00	38.50
40	38.00	40.50
42	40.00	42.50
44	42.00	44.50
46	44.00	46.50
48	46.00	48.50
50	48.00	50.50
52	50.00	52.50
54	52.00	54.50
56	54.00	56.50
58	56.00	58.50
60	58.00	60.50

4601 H X-2\*XX X-N0 XX

① ② ③ ④ ⑤ ⑥ ⑦

- ① Series No.
- ② Category: H-HSG
- ③ Appearance type: Blank-Ordinary
- ④ Row No.-Pin No.: 2\*XX-Double Row
- ⑤ Plug the Pin & Special No.: A-Without notch
- ⑥ Material : N0-PA66 94V-0
- ⑦ Color: Blank : Natural Color ; HF-Halogen Free

4601H-2*XX-N0	Nylon 66 UL 94V-0	4601T	4601W	1,000Pcs
PART NO	Material	Suitable ADZL Terminal	Mates With ADZL Pin Heade Or Box Header	Q'ty/Bag

GENERAL TOLERANCE

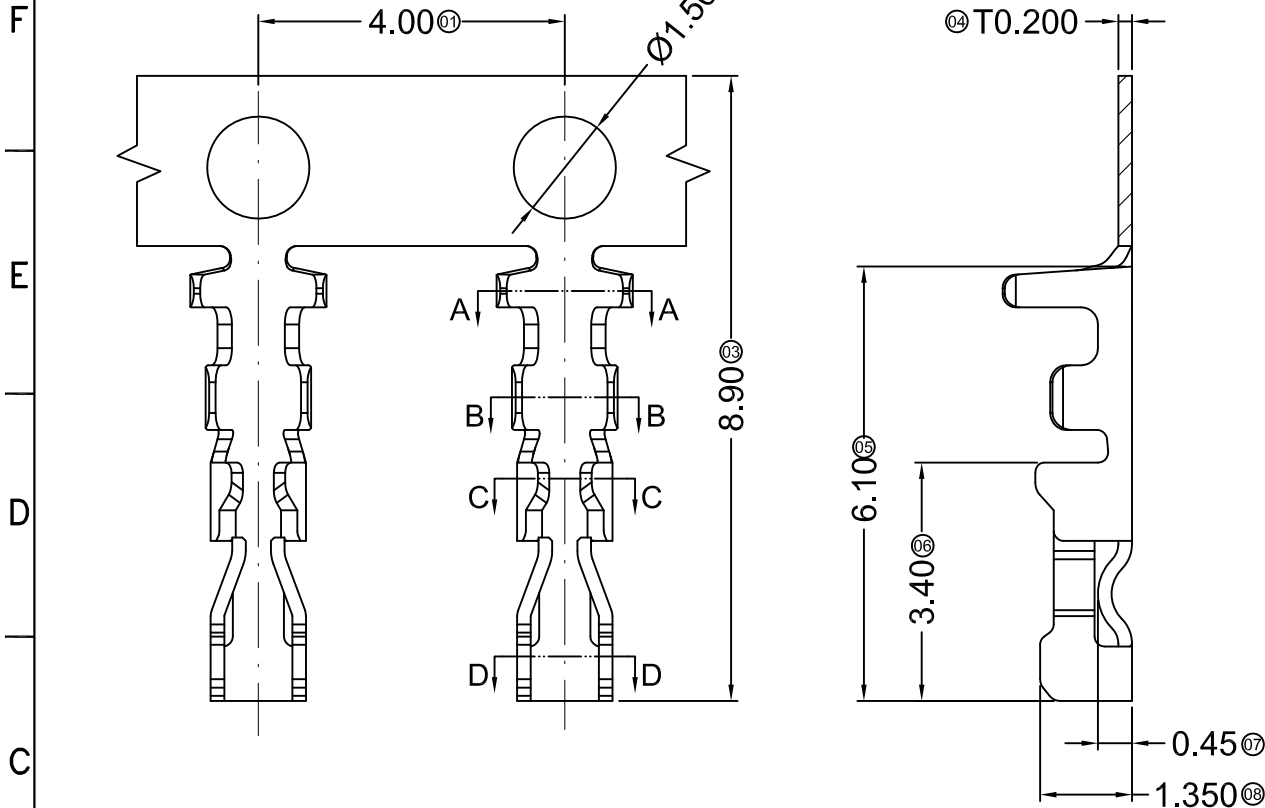
.X	±0.30
.XX	±0.20
.XXX	±0.10



PART NO. 4601H-2*XX-N0			
TITLE 2.00 mm Crimp Style Connector			
UNIT MM	SCALE 1:1	NUMBER A-019	REV B

DATE	OLD REV	NEW REV	ECN	DESCRIPTION	CHECK	APPROVAL	PROJECT

APPROVAL	CHECK	DRAWN	DATA
Ken	Wisely He	Allen	2018/10/31

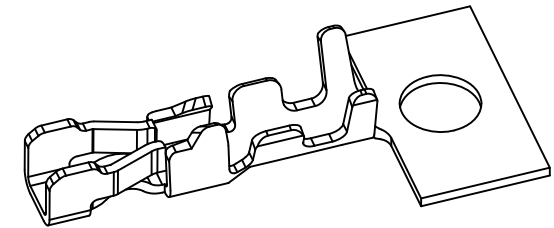


**Specifications :**

- Voltage rating: 250V AC / DC
- Current rating: 2A AC / DC
- Withstanding voltage: 1000V AC/minute
- Temperature range: -25°C~+85°C
- Insulation resistance:  $\geq 1000M\Omega$
- Contact resistance:  $\leq 20m\Omega$
- After environmental testing:  $\leq 30m\Omega$

4601 T X-X XX X -L  
① ② ③ ④ ⑤ ⑥ ⑦

- ① Series Number
- ② Category: T-terminal
- ③ Shape: Blank-Ordinary
- ④ Material: P-Phosphor bronze  
B-Brass
- ⑤ Plating style: V01- All Gold-Plated  
G01-Gold Plated Contact  
SN-Bright tin plating
- ⑥ Plating method: Blank-Stamping before plating
- ⑦ Mold No./Mark/Special No. : L- Big Gap



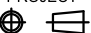
SECTION: A-A  
SCALE: 1:1

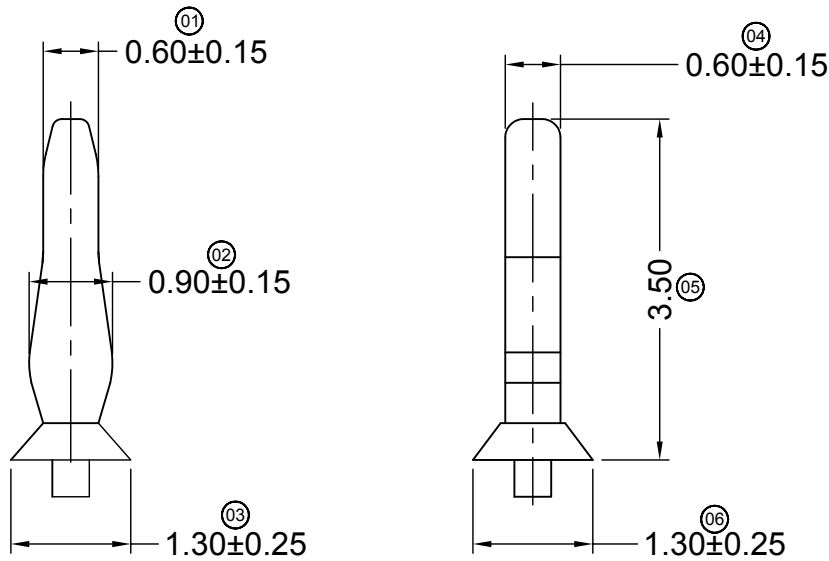
SECTION: B-B  
SCALE: 1:1

SECTION: C-C  
SCALE: 1:1

SECTION: D-D  
SCALE: 1:1

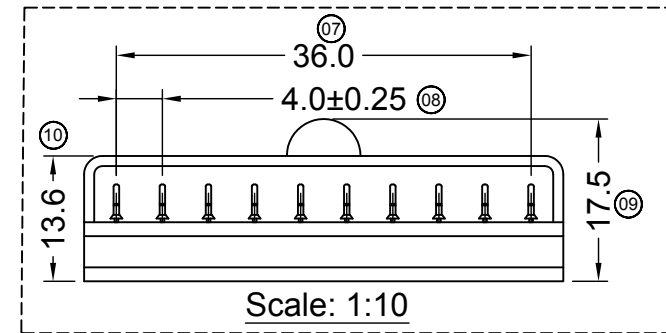
4601T-BG01-L	Brass	AWG#26-30	1.40mm(Max)	Stamping Before Pating:30u" MIN.Ni; Contact Area Gold;Gold Flash	4601H
PART NO	Material	Wire Range	Insulation O.D.	Finish	Used In ADZL Housing

								GENERAL TOLERANCE .X $\pm 0.30$ .XX $\pm 0.20$ .XXX $\pm 0.10$				PART NO. 4601T-XXX-L TITLE 2.00mm Crimp Style Connectors			
								APPROVAL Ken    CHECK Wisely He    DRAWN Allen    DATA 2021/06/05				UNIT MM    SCALE 1:1    NUMBER A-019    REV E			
DATE	OLD REV	NEW REV	ECN	DESCRIPTION	CHECK	APPROVAL	PROJECT	东莞市思量连接器有限公司 DONGGUAN ADZL CONNECTORS CO.,LTD.				PROJECT 			





■ Specifications :

- Voltage rating: 250V AC / DC
- Current rating: 2A AC / DC
- Withstanding voltage: 1000V AC/minute
- Temperature range: -25°C~+85°C
- Insulation resistance: ≥1000MΩ
- Contact resistance: ≤20mΩ
- After environmental testing: ≤30mΩ



		4601H
4601B-KEY	PBT UL 94V-0 Black	
PART NO	Material	Suitable ADZL Housing

								GENERAL TOLERANCE	 <b>思量连接器有限公司</b> ADZL CONNECTORS CO.,LTD	PART NO. 4601B-KEY						
								.X ±0.30 .XX ±0.20 .XXX ±0.10		APPROVAL	CHECK	DRAWN	DATA	TITLE		
DATE	OLD REV	NEW REV	ECN	DESCRIPTION	CHECK	APPROVAL	PROJECT		Ken	Wisely He	Allen	2018/07/29	2.00 mm Crimp Style connectors			
													UNIT	SCALE	NUMBER	REV
													MM	1:1	A-057	C