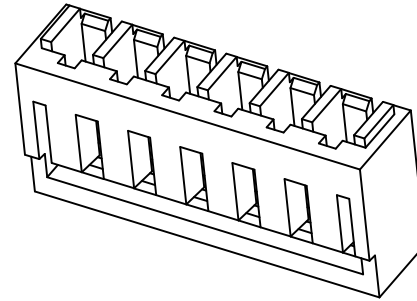
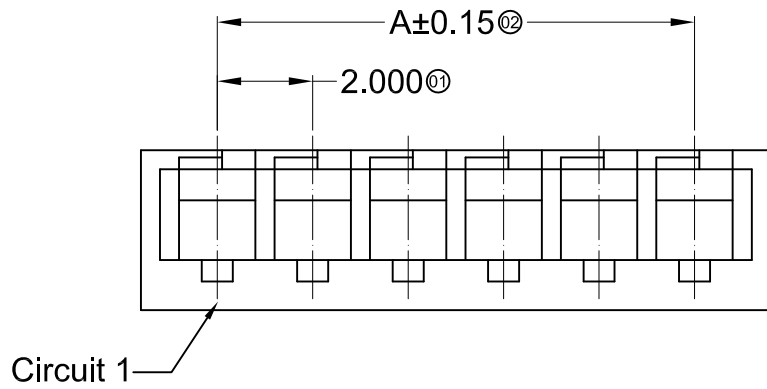


RoHS

WWW.ADZLCONN.COM

TEL:0769-82285488

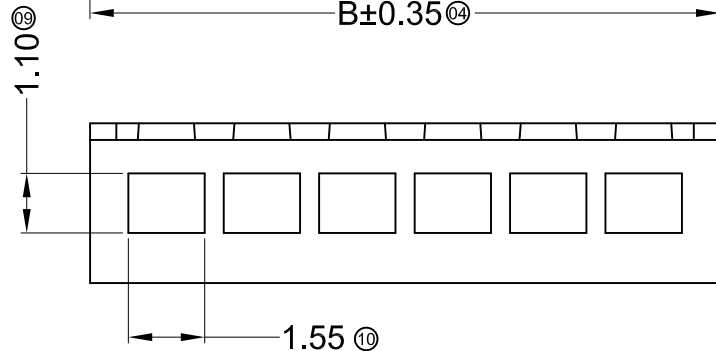
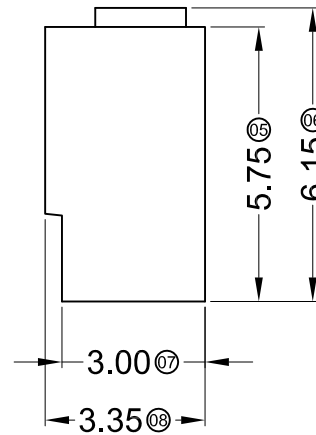
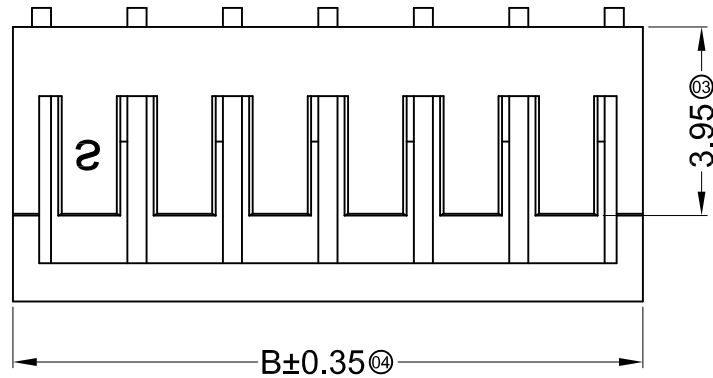


■ Specifications :

- Voltage rating: 250V AC / DC
- Current rating: 2A AC / DC
- Withstanding voltage: 800V AC/minute
- Temperature range: -40°C~+105°C
- Insulation resistance: ≥1000MΩ
- Contact resistance: ≤20mΩ
- After environmental testing: ≤30mΩ

9020 H R-XX X-N0 XX  
① ②③ ④ ⑤ ⑥ ⑦

- ① Series No.
- ② Category: H-HSG
- ③ Appearance type: R-Right Angle 90°
- ④ Row No.-Pin No.: XX-02P~16P
- ⑤ Plug the Pin & special No.: Blank-Ordinary
- ⑥ Material: N0-PA66 UL 94V-0
- ⑦ Color: Blank-Natural Color  
HF-Halogen Free



Poles	Dimensions (mm)		Poles	Dimensions (mm)	
	A	B		A	B
02	2.00	5.20	10	18.00	21.20
03	4.00	7.20	11	20.00	23.20
04	6.00	9.20	12	22.00	25.20
05	8.00	11.20	13	24.00	27.20
06	10.00	13.20	14	26.00	29.20
07	12.00	15.20	15	28.00	31.20
08	14.00	17.20	16	30.00	33.20
09	16.00	19.20			

9020HR-XX-N0HF	PA66 UL 94V-0 Halogen Free	9020TR
9020HR-XX-N0	PA66 UL 94V-0	
PART NO	Material	Suitable ADZL Terminal

GENERAL TOLERANCE  
.X ±0.30  
.XX ±0.20  
.XXX ±0.10

ADZL 东莞市思量连接器有限公司  
DONGGUAN ADZL CONNECTORS CO.,LTD.

PART NO.  
9020HR-XX-N0HF

APPROVAL CHECK DRAWN DATA

TITLE  
2.00mm Crimp Style Connectors

PROJECT  
Ken Zhao Hong Allen

UNIT SCALE NUMBER REV  
MM 1:1 8

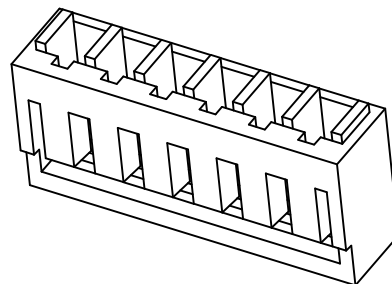
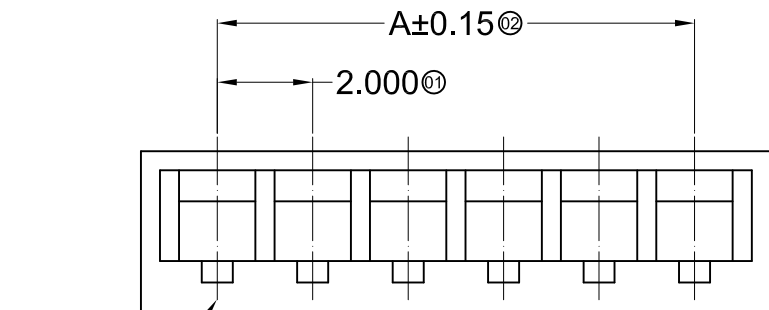
DATE OLD REV NEW REV ECN DESCRIPTION CHECK APPROVAL

1 2 3 4 5 6 7 8

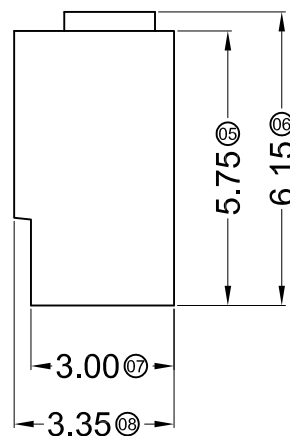
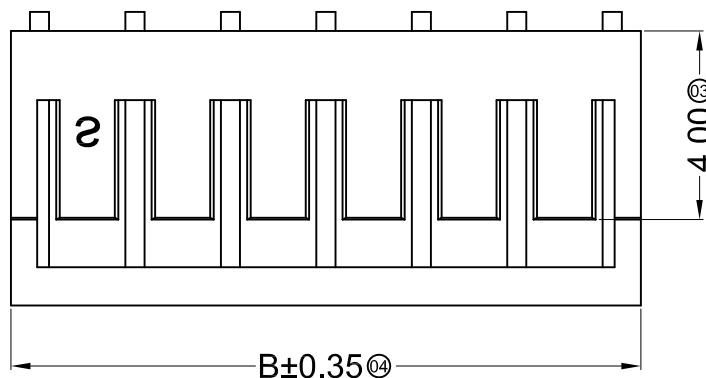
RoHS

WWW.ADZLCONN.COM

TEL:0769-82285488



Circuit 1

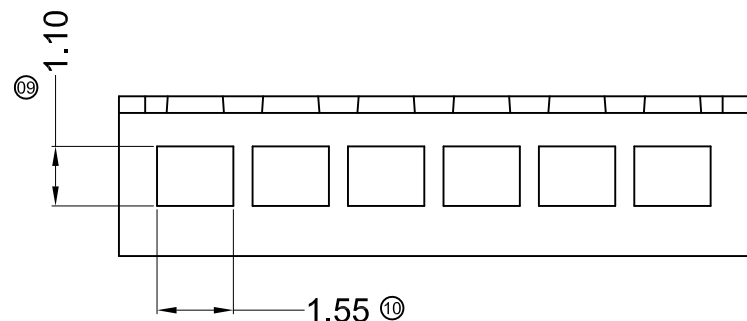


Specifications :

- Voltage rating: 250V AC / DC
- Current rating: 2A AC / DC
- Withstanding voltage: 800V AC/minute
- Temperature range: -40°C~+105°C
- Insulation resistance: ≥1000MΩ
- Contact resistance: ≤20mΩ
- After environmental testing: ≤30mΩ

9020 H V-XX X-N0 HF  
① ②③ ④ ⑤ ⑥ ⑦

- ① Series No.
- ② Category: H-HSG
- ③ Appearance type: V-Straight 180°
- ④ Row No.-Pin No.: XX-02P~16P
- ⑤ Plug the Pin & special No.: Blank-Ordinary
- ⑥ Material: N0-PA66 UL 94V-0
- ⑦ Color: Blank-Natural Color  
HF-Halogen Free



Poles	Dimensions (mm)		Poles	Dimensions (mm)	
	A	B		A	B
02	2.00	5.20	10	18.00	21.20
03	4.00	7.20	11	20.00	23.20
04	6.00	9.20	12	22.00	25.20
05	8.00	11.20	13	24.00	27.20
06	10.00	13.20	14	26.00	29.20
07	12.00	15.20	15	28.00	31.20
08	14.00	17.20	16	30.00	33.20
09	16.00	19.20			

9020HV-XX-N0HF	PA66 UL 94V-0 Halogen Free	9020TV
PART NO	Material	Suitable ADZL Terminal

GENERAL TOLERANCE  
.X ±0.30  
.XX ±0.20  
.XXX ±0.10

ADZL 东莞市思量连接器有限公司  
DONGGUAN ADZL CONNECTORS CO.,LTD.

PART NO.  
9020HV-XX-N0HF

APPROVAL CHECK DRAWN DATA

TITLE  
2.00mm Crimp Style Connectors

DATE OLD REV NEW REV ECN DESCRIPTION CHECK APPROVAL

PROJECT

Ken Zhao Hong Allen 2024/04/17

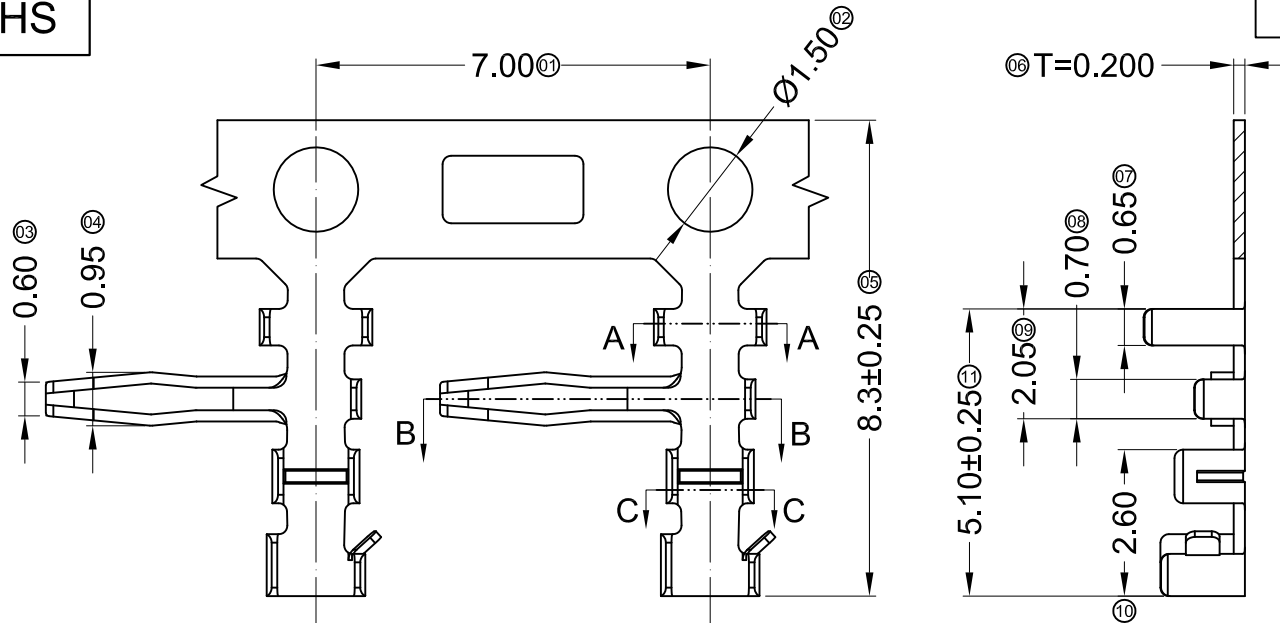
UNIT SCALE NUMBER REV  
MM 1:1 8

1 2 3 4 5 6 7 8

RoHS

WWW.ADZLCONN.COM

TEL:0769-82285488

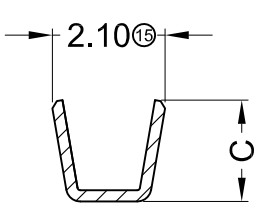


■ Specifications :

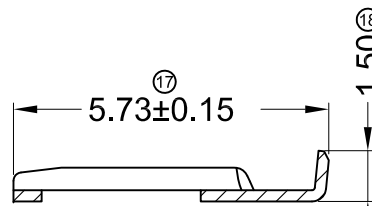
- Voltage rating: 250V AC / DC
- Current rating: 2A AC / DC
- Withstanding voltage: 800V AC/minute
- Temperature range: -25°C~+85°C
- Insulation resistance: ≥1000MΩ
- Contact resistance: ≤20mΩ
- After environmental testing: ≤30mΩ
- Wire Range: AWG#22-26
- Insulation O.D.: 1.40mm(Max)
- Used In ADZL Housing: 9020HR

9020 T R-B SN X - X -01  
 ① ② ③ ④ ⑤ ⑥ ⑦ ⑧

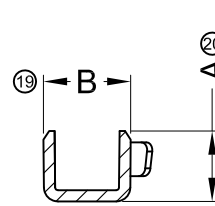
- ① Series Number
- ② Category: T-terminal
- ③ Shape: R-Right Angle 90°
- ④ Material: B-Brass;P-Phosphor Bronze
- ⑤ Plating style: SN-Bright tin plating
- ⑥ Plating method: Blank-Stamping before plating
- ⑦ Blank-Ordinary;H-High feet
- ⑧ Mold No./Mark/Special No. :



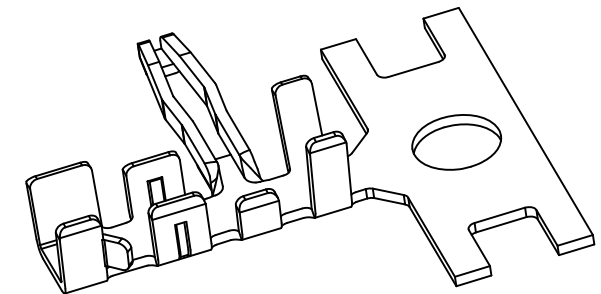
SECTION: A-A  
SCALE: 1:1



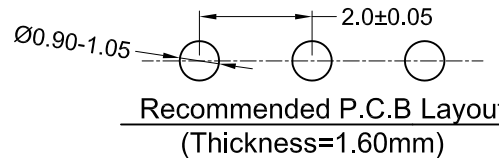
SECTION: B-B  
SCALE: 1:1



SECTION: C-C  
SCALE: 1:1



9020TR-XSN-H-01	AWG#22~24 0.35~0.22mm <sup>2</sup>	1.40mm(Max)	1.60	1.70	2.00
9020TR-XSN-01	AWG#24~26 0.22~0.13mm <sup>2</sup>	1.30mm(Max)	1.25	1.55	1.85
PART NO	Wire Size	Insulation Ø O.D.	A	B	C



DATE	OLD REV	NEW REV	ECN	DESCRIPTION	CHECK	APPROVAL
1			2			4

GENERAL TOLERANCE	
.X	±0.30
.XX	±0.20
.XXX	±0.10
PROJECT	

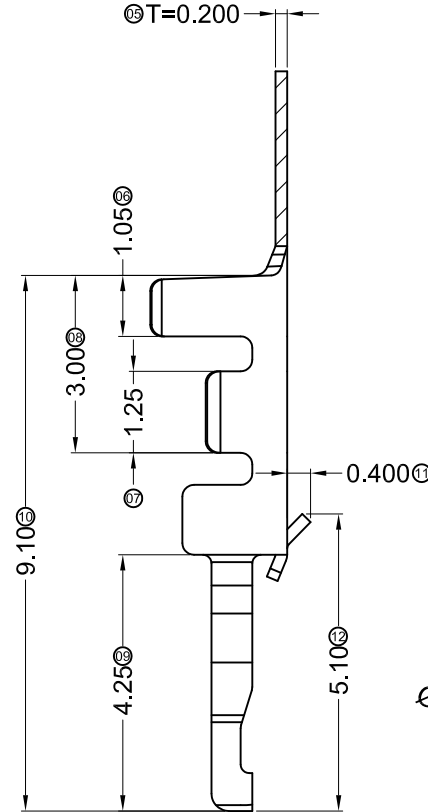
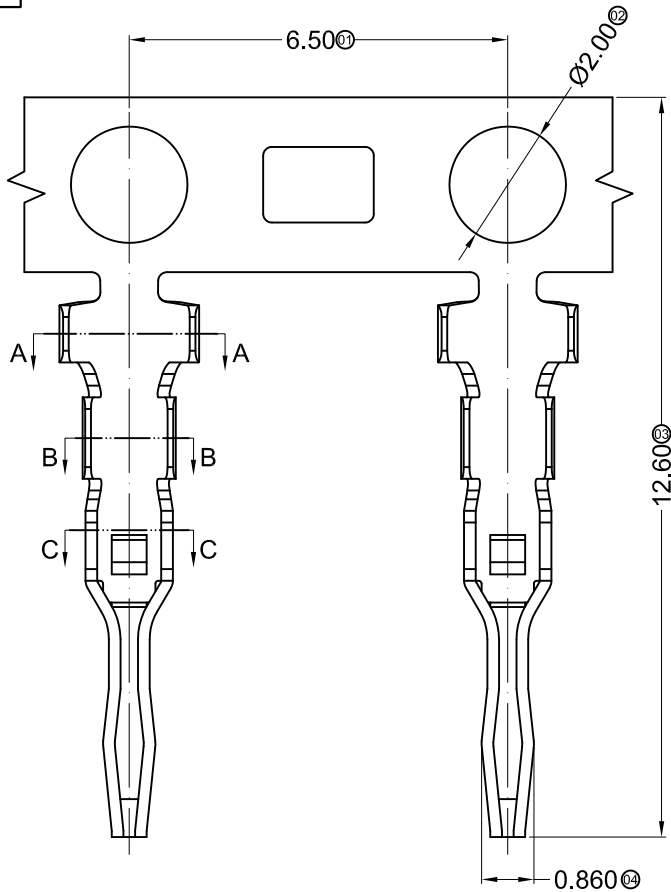
东莞市思量连接器有限公司 DONGGUAN ADZL CONNECTORS CO.,LTD.			
APPROVAL	CHECK	DRAWN	DATA
Ken	Zhao Hong	Allen	2020/03/03

PART NO. 9020TR-XSN-X-01			
TITLE 2.00mm Crimp Style Connectors			
UNIT MM	SCALE 1:1	NUMBER 8	REV

RoHS

WWW.ADZLCONN.COM

TEL:0769-82285488

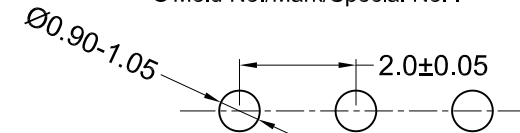


■ Specifications :

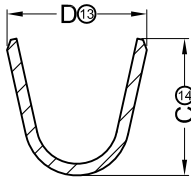
- Voltage rating: 250V AC / DC
- Current rating: 2A AC / DC
- Withstanding voltage: 800V AC/minute
- Temperature range: -25°C~+85°C
- Insulation resistance: ≥1000MΩ
- Contact resistance: ≤20mΩ
- After environmental testing: ≤30mΩ
- Wire Range: AWG#22-26
- Insulation O.D.: 1.40mm(Max)
- Used In ADZL Housing: 9020HV

9020 T V-B SN X - X-01  
 ① ②③④ ⑤ ⑥ ⑦ ⑧

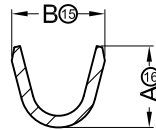
- ① Series Number
- ② Category: T-terminal
- ③ Shape: V-Straight 180°
- ④ Material: B-Brass;P-Phosphor Bronze
- ⑤ Plating style: SN-Bright tin plating
- ⑥ Plating method: Blank-Stamping before plating
- ⑦ Blank-Ordinary;H-High feet
- ⑧ Mold No./Mark/Special No. :



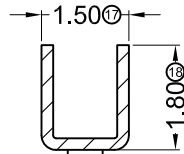
Recommended P.C.B Layout  
 (Thickness=1.60mm)



SECTION: A-A  
 SCALE: 1:1

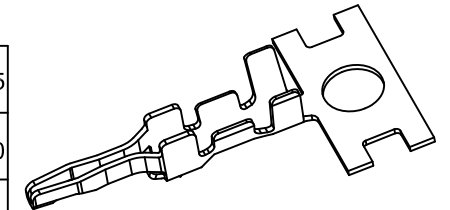


SECTION: B-B  
 SCALE: 1:1



SECTION: C-C  
 SCALE: 1:1

9020TV-XSN-H-01	AWG#22~24 0.35~0.22mm <sup>2</sup>	1.40mm(Max)	1.80	1.75	2.50	2.45
9020TV-XSN-01	AWG#24~26 0.22~0.13mm <sup>2</sup>	1.30mm(Max)	1.40	1.60	2.35	2.40
PART NO	Wire Size	Insulation Ø O.D.	A	B	C	D



DATE	OLD REV	NEW REV	ECN	DESCRIPTION	CHECK	APPROVAL
1			2			4

GENERAL TOLERANCE	
.X	±0.30
.XX	±0.20
.XXX	±0.10
PROJECT	Ken

东莞市思量连接器有限公司 DONGGUAN ADZL CONNECTORS CO.,LTD.			
APPROVAL	CHECK	DRAWN	DATA
Ken	Zhao Hong	Allen	2020/05/26

PART NO. 9020TV-XSN-X-01			
TITLE 2.00mm Crimp Style Connectors			
UNIT MM	SCALE 1:1	NUMBER 8	REV