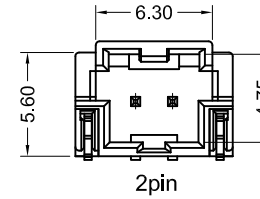
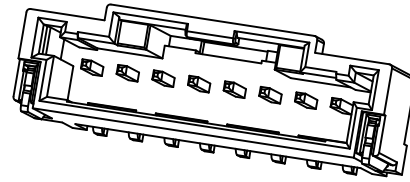
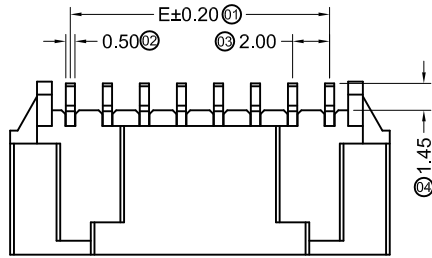


RoHS

WWW.ADZLCONN.COM

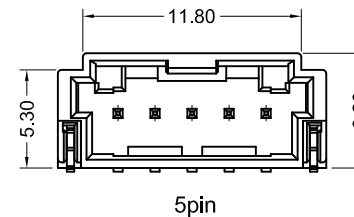
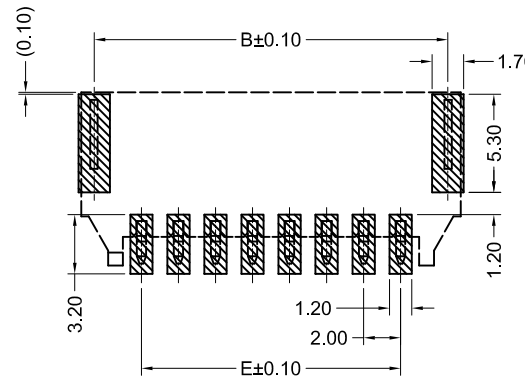
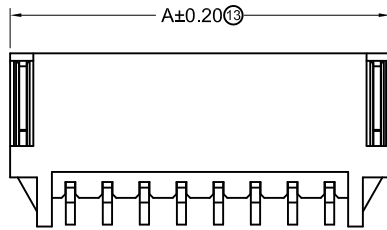
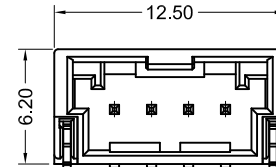
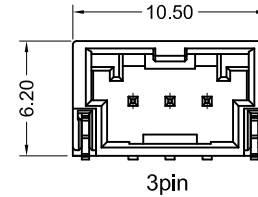
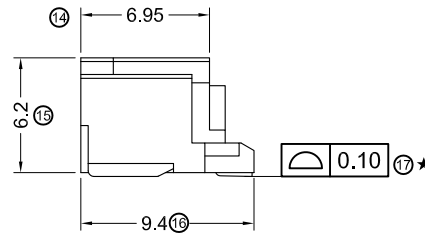
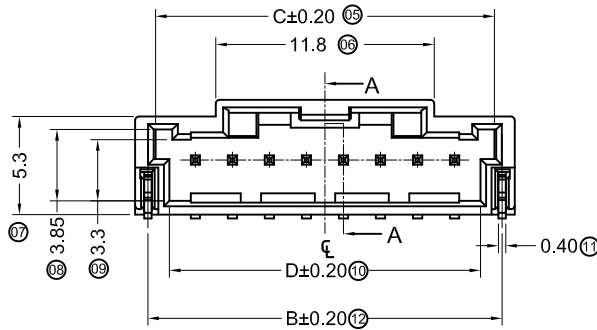
TEL:0769-82285488



- Specifications :
- Voltage rating: 125V AC / DC
  - Current rating: 3A AC / DC
  - Withstanding voltage: 500V AC/minute
  - Temperature range: -40°C~+105°C
  - Insulation resistance: ≥1000MΩ
  - Contact resistance: ≤10mΩ
  - After environmental testing: ≤20mΩ
  - Material(Pin): Brass
  - Mates With ADZL Housing: 2008H

2008 W R S - 1 x XX - XX X B 05 R R XXX Q  
 ① ② ③ ④ ⑤ ⑥ ⑦ ⑧ ⑨ ⑩ ⑪ ⑫ ⑬

- ① Series No.
- ② Category: W-wafer
- ③ Welding Board Angle: R-Right Angle 90°
- ④ Welding form: S-SMT
- ⑤ Row No.-Pin No: 1xXX-Single Row 1xXXPin
- ⑥ Plastic material: 9T- PA9T 94V-0; LP- LCP 94V-0
- ⑦ Color: N-Natural; B-Black; R-Red; L-Blue
- ⑧ Metal material: B-Brass
- ⑨ Plating Category: 05-Matte Tin
- ⑩ Packag: R-Reel
- ⑪ Green code: H-Halogen-Free R-Rohs
- ⑫ Water code: 002-Coldsealing ;02C-Heatsealing
- ⑬ Special code:Q-Automotive Connectors



Poles	Dimensions (mm)				
	A	B	C	D	E
02	8.50	7.13	6.30	4.80	2.00
03	10.50	9.13	8.30	6.80	4.00
04	12.50	11.13	10.30	8.80	6.00
05	14.50	13.13	12.30	10.80	8.00
06	16.50	15.13	14.30	12.80	10.00
07	18.50	17.13	16.30	14.80	12.00
08	20.50	19.13	18.30	16.80	14.00
09	22.50	21.13	20.30	18.80	16.00
10	24.50	23.13	22.30	20.80	18.00
11	26.50	25.13	24.30	22.80	20.00
12	28.50	27.13	26.30	24.80	22.00
13	30.50	29.13	28.30	26.80	24.00
14	32.50	31.13	30.30	28.80	26.00
15	34.50	33.13	32.30	30.80	28.00

RECOMMENDED P.C.B LAYOUT  
(TOLERANCE:±0.05)

GENERAL TOLERANCE  
 .X ±0.30  
 .XX ±0.20  
 .XXX ±0.10

ADZL 东莞市思量连接器有限公司  
 DONGGUAN ADZL CONNECTORS CO.,LTD.

PART NO.  
 2008WRS-1xXX-XXXB05RRXXXQ

TITLE  
 Pitch 2.00 mm 90° SMT Wafer Connectors

APPROVAL: Ken, CHECK: Zhao Hong, DRAWN: Allen, DATA: 2018.10.16

PROJECT

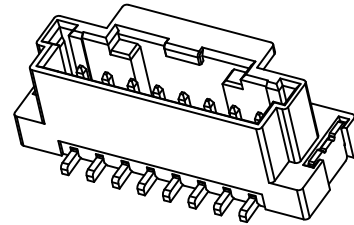
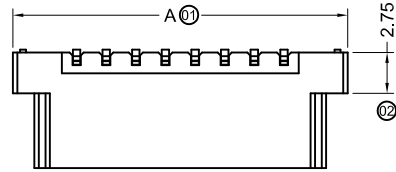
UNIT: mm, SCALE: 1:1, NUMBER, REV

DATE, OLD REV, NEW REV, ECN, DESCRIPTION, CHECK, APPROVAL

RoHS

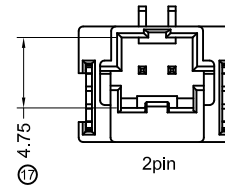
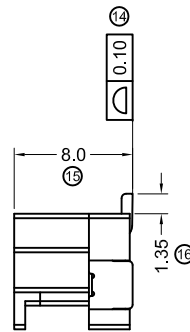
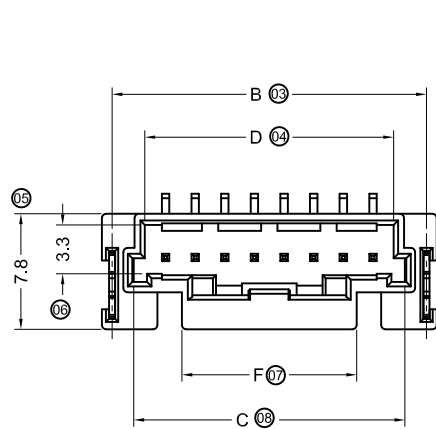
WWW.ADZLCONN.COM

TEL:0769-82285488



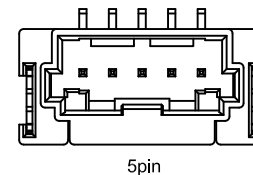
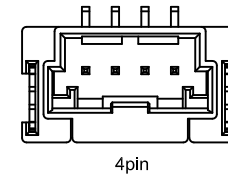
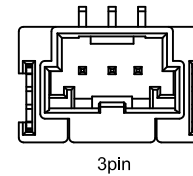
Specifications :

- Voltage rating: 125V AC / DC
- Current rating: 3A AC / DC
- Withstanding voltage: 500V AC/minute
- Temperature range: -40°C~+105°C
- Insulation resistance: ≥1000MΩ
- Contact resistance: ≤10mΩ
- After environmental testing: ≤20mΩ
- Material(Pin): Barss
- Mates With ADZL Housing: 2008H

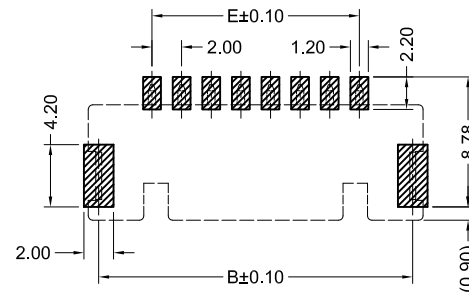


2008 W V S - 1 x XX - XX X B XX X R XXX Q  
 ① ② ③ ④ ⑤ ⑥ ⑦ ⑧ ⑨ ⑩ ⑪ ⑫ ⑬

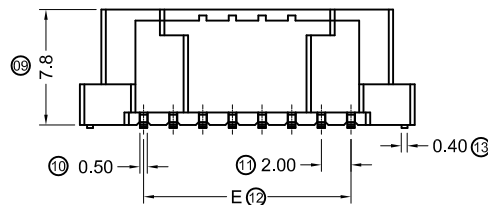
- ① Series No.
- ② Category: W-wafer
- ③ Welding Board Angle: V-Straight 180°
- ④ Welding form: S-SMT
- ⑤ Row No.-Pin No: 1xXX-Single Row 1xXXPin
- ⑥ Plastic material: 9T- PA9T 94V-0; LP- LCP 94V-0
- ⑦ Color: N-Natural; B-Black; R-Red; L-Blue
- ⑧ Metal material: B-Brass
- ⑨ Plating Category: 05-Matte Tin
- ⑩ Packag: R-Reel ,Without Mylar
- ⑪ Green code: R-RoHS H-Halogen-Free
- ⑫ Water code: 002-Coldsealing ;02C-Heatsealing
- ⑬ Special code :Q-Automotive Connectors



Poles	Dimensions (mm)					
	A	B	C	D	E	F
02	10.60	9.23	6.30	4.80	2.00	6.30
03	12.60	11.23	8.30	6.80	4.00	5.80
04	14.60	13.23	10.30	8.80	6.00	7.80
05	16.60	15.23	12.30	10.80	8.00	9.80
06	18.60	17.23	14.30	12.80	10.00	11.80
07	20.60	19.23	16.30	14.80	12.00	11.80
08	22.60	21.23	18.30	16.80	14.00	11.80
09	24.60	23.23	20.30	18.80	16.00	11.80
10	26.60	25.23	22.30	20.80	18.00	11.80
11	28.60	27.23	24.30	22.80	20.00	11.80
12	30.60	29.23	26.30	24.80	22.00	11.80
13	32.60	31.23	28.30	26.80	24.00	11.80
14	34.60	33.23	30.30	28.80	26.00	11.80
15	36.60	35.23	32.30	30.80	28.00	11.80



RECOMMENDED P.C.B LAYOUT  
(TOLERANCE:±0.05)



GENERAL TOLERANCE  
 .X ±0.30  
 .XX ±0.20  
 .XXX ±0.10

ADZL 东莞市思量连接器有限公司  
 DONGGUAN ADZL CONNECTORS CO.,LTD.

PART NO.  
 2008WVS-1xXX-XXXBXXRRXXXQ

TITLE  
 Pitch 2.00 mm 180° SMT Wafer Connectors

PROJECT

APPROVAL	CHECK	DRAWN	DATA
Ken	Zhao Hong	Allen	2020/06/15

UNIT	SCALE	NUMBER	REV
MM	1:1		

DATE	OLD REV	NEW REV	ECN	DESCRIPTION	CHECK	APPROVAL
1						
2						
3						
4						

■ Specifications :

- Voltage rating: 125V AC / DC
- Current rating: 3A AC / DC
- Withstanding voltage: 500V AC/minute
- Temperature range: -25°C~+85°C
- Insulation resistance: ≥1000MΩ
- Contact resistance: ≤10mΩ
- After environmental testing: ≤20mΩ

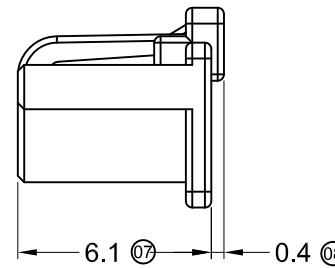
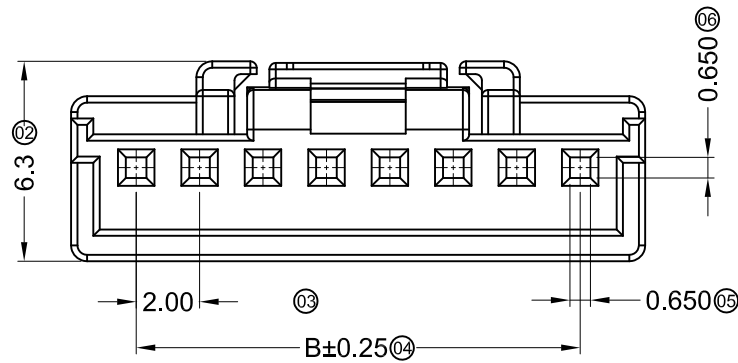
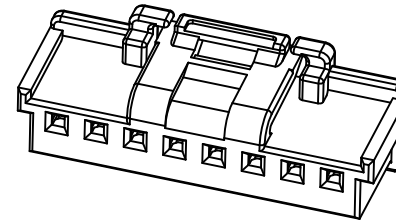
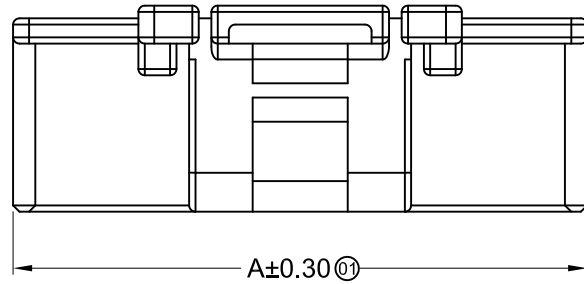
2008 H X-XX X-XX XX XX

① ② ③ ④ ⑤ ⑥ ⑦ ⑧

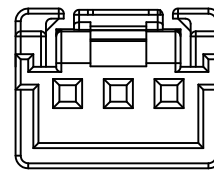
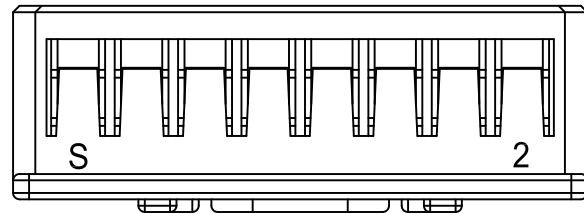
- ① Series No.
- ② Category: H-HSG
- ③ Welding Board Angle:
- ④ Row No.-Pin No.: XX-02~15PIN
- ⑤ Special No.:
- ⑥ Material: PT-PBT UL94V-0  
N0-PA66 UL94V-0
- ⑦ HF-Halogen Free Blank-Non halogen free
- ⑧ Color: Blank-Natural Color

Poles	Dimensions (mm)		Poles	Dimensions (mm)	
	A	B		A	B
02	8.00	2.00	09	20.10	16.00
03	8.10	4.00	10	22.10	18.00
04	10.10	6.00	11	24.10	20.00
05	12.10	8.00	12	26.10	22.00
06	14.10	10.00	13	28.10	24.00
07	16.10	12.00	14	30.10	26.00
08	18.10	14.00	15	32.10	28.00

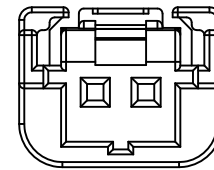
2008H-XX-N0XX	PA66 UL94V-0	2008T	2008W
2008H-XX-PT	PBT UL94V-0		
PART NO	Material	Suitable ADZL Terminal	Mates With ADZL Wafer



05P~15P Shape  
Scale 1:1



03P~04P Shape  
Scale 0.8:1

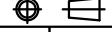


02P Shape  
Scale 0.8:1

GENERAL TOLERANCE

.X ±0.30  
.XX ±0.20  
.XXX ±0.10

PROJECT



 东莞市思量连接器有限公司  
DONGGUAN ADZL CONNECTORS CO.,LTD.

APPROVAL CHECK DRAWN DATA

Ken Zhao Hong Allen 2017/09/05

PART NO.

2008H-XX-XX

TITLE

2.00 mm Crimp Style Connectors

UNIT SCALE NUMBER REV  
MM 1:1 8

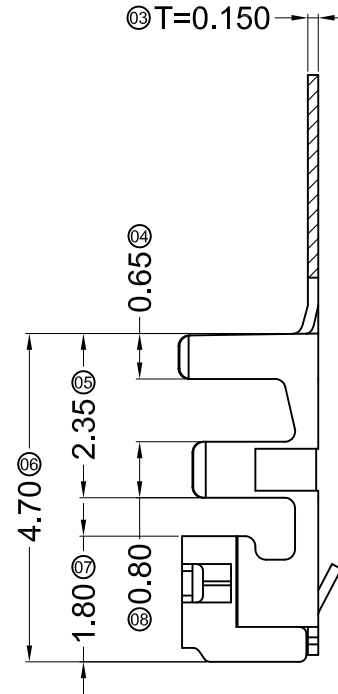
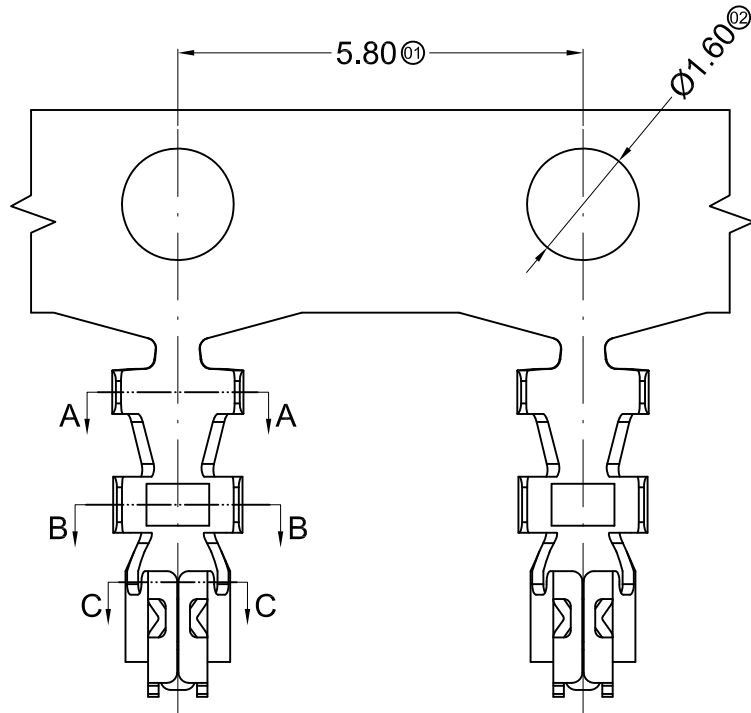
DATE OLD REV NEW REV ECN DESCRIPTION CHECK APPROVAL

1 2 3 4 5 6 7 8

RoHS

WWW.ADZLCONN.COM

TEL:0769-82285488



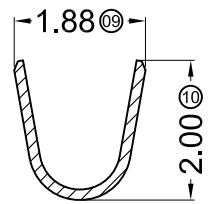
■ Specifications :

- Voltage rating: 125V AC / DC
- Current rating: 3A AC / DC
- Withstanding voltage: 500V AC/minute
- Temperature range: -40°C~+105°C
- Insulation resistance: ≥1000MΩ
- Contact resistance: ≤10mΩ
- After environmental testing: ≤20mΩ

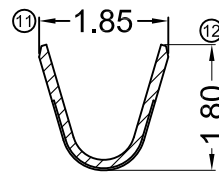
2008 T H-P SN1 X-X

① ② ③ ④ ⑤ ⑥ ⑦

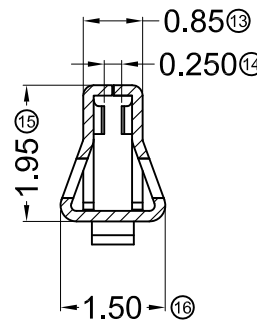
- ① Series No.
- ② Category: T-Terminal
- ③ Shape: H-High Crimp
- ④ Material: P-Phosphor bronze
- ⑤ Plating Style:SN1-Bright Tin Plating
- ⑥ Plating Method :Blank-Stamping before plating
- ⑦ Mold No./Mark/Special No.



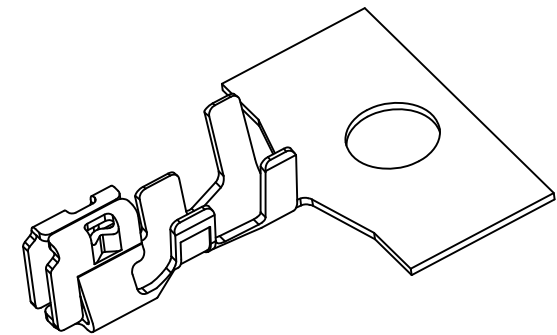
SECTION: A-A  
SCALE: 1:1



SECTION: B-B  
SCALE: 1:1



SECTION: C-C  
SCALE: 1:1



2008TH-PSN1	Phosphor Bronze	AWG#22-30	1.40mm(Max)	Stamping Before Plating:50u" MIN. Ni; 100u" MIN.Sn	2008H
PART NO	Material	Wire Range	Insulation O.D.	Finish	Used In ADZL Housing

DATE	OLD REV	NEW REV	ECN	DESCRIPTION	CHECK	APPROVAL	PROJECT		

GENERAL TOLERANCE  
.X ±0.30  
.XX ±0.20  
.XXX ±0.10

ADZL 东莞市思量连接器有限公司  
DONGGUAN ADZL CONNECTORS CO.,LTD.

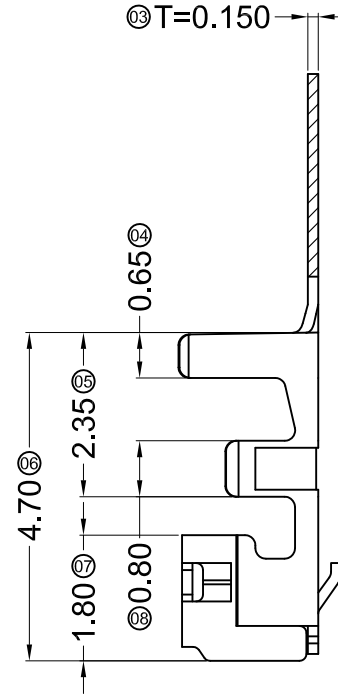
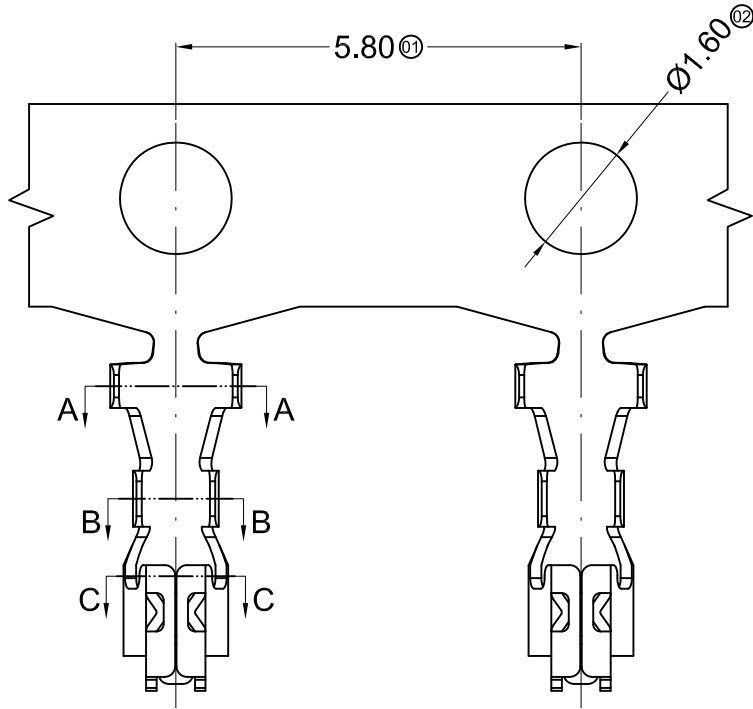
APPROVAL	CHECK	DRAWN	DATA
Ken	Zhao Hong	Allen	2017/08/09

PART NO. 2008TH-PSN1			
TITLE 2.00mm Crimp Style Connectors			
UNIT MM	SCALE 1:1	NUMBER 8	REV

RoHS

WWW.ADZLCONN.COM

TEL:0769-82285488

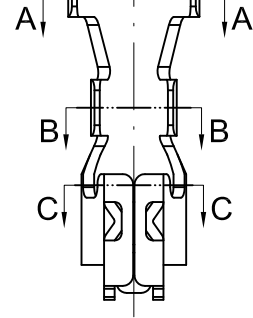


■ Specifications :

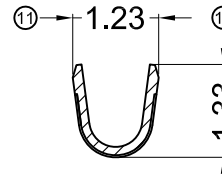
- Voltage rating: 125V AC / DC
- Current rating: 3A AC / DC
- Withstanding voltage: 500V AC/minute
- Temperature range: -40°C~+105°C
- Insulation resistance: ≥1000MΩ
- Contact resistance: ≤10mΩ
- After environmental testing: ≤20mΩ

2008 T X-P SN1 X-X  
① ② ③ ④ ⑤ ⑥ ⑦

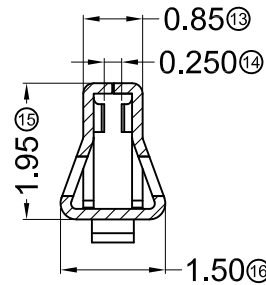
- ① Series Number
- ② Category: T-terminal
- ③ Shape: Blank-ordinary
- ④ Material: P-Phosphor bronze
- ⑤ Plating style: SN1-Bright tin plating
- ⑥ Plating method: Blank-Stamping before plating
- ⑦ Mold No./Mark/Special No. :



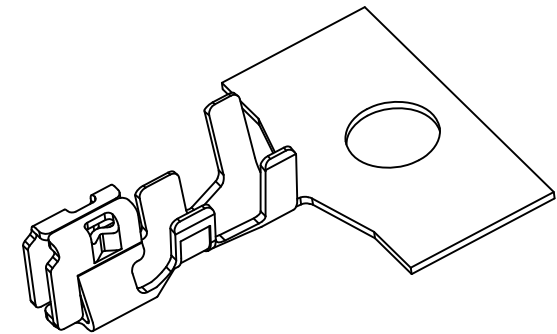
SECTION: A-A  
SCALE: 1:1



SECTION: B-B  
SCALE: 1:1



SECTION: C-C  
SCALE: 1:1



2008T-PSN1	Phosphor Bronze	AWG#24-30	1.40mm(Max)	Stamping Before Plating:50u" MIN. Ni; 100u" MIN.Sn	2008H
PART NO	Material	Wire Range	Insulation O.D.	Finish	Used In ADZL Housing

DATE	OLD REV	NEW REV	ECN	DESCRIPTION	CHECK	APPROVAL	PROJECT
1			2				

GENERAL TOLERANCE  
.X ±0.30  
.XX ±0.20  
.XXX ±0.10

ADZL 东莞市思量连接器有限公司  
DONGGUAN ADZL CONNECTORS CO.,LTD.

APPROVAL	CHECK	DRAWN	DATA
Ken	Zhao Hong	Allen	2017/08/09

PART NO. 2008T-PSN1			
TITLE 2.00mm Crimp Style Connectors			
UNIT MM	SCALE 1:1	NUMBER	REV

1 2 3 4 5 6 7 8