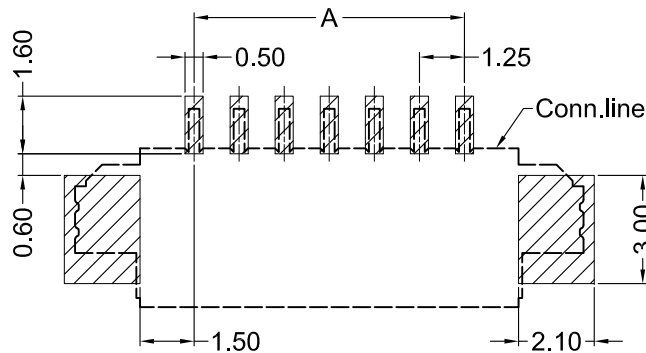
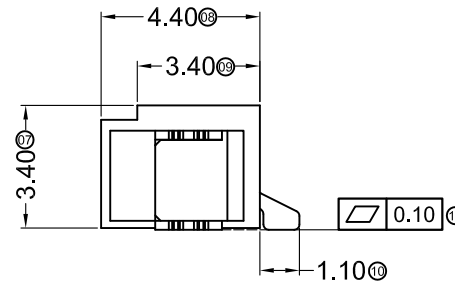
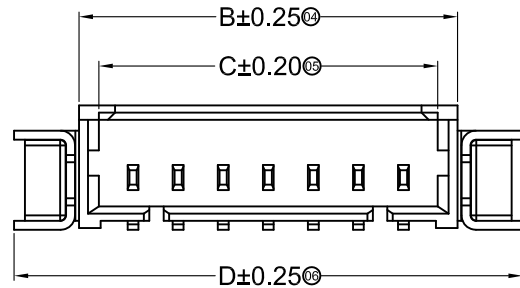


■ Specifications :

- Voltage rating: 125V AC / DC
- Current rating: 1A AC / DC
- Withstanding voltage: 250V AC/minute
- Temperature range: -25°C~+85°C
- Insulation resistance: ≥100MΩ
- Contact resistance: ≤20mΩ
- After environmental testing: ≤40mΩ

9821 W R S-XX A-LP SN HF
 ① ② ③ ④ ⑤ ⑥ ⑦ ⑧ ⑨

- ① Series No.
- ② Category: W-wafer
- ③ Welding Board Angle: R- Right Angle 90°
- ④ Welding Way: S-SMT
- ⑤ Row No.-Pin No.: XX-02P~16P
- ⑥ Plug the Pin & Special No.: A-All ear clip
- ⑦ Material: LP-LCP 94V-0
- ⑧ Planting Category: SN-Bright tin plating ;
- ⑨ HF-Halogen Free



Recommended P.C.B Layout
 General Tolerance±0.05

| Poles | Dimensions(mm) | | | | Poles | Dimensions(mm) | | | |
|-------|----------------|-------|-------|-------|-------|----------------|-------|-------|-------|
| | A | B | C | D | | A | B | C | D |
| 02 | 1.25 | 4.25 | 3.15 | 7.65 | 10 | 11.25 | 14.25 | 13.15 | 17.65 |
| 03 | 2.50 | 5.50 | 4.40 | 8.90 | 11 | 12.50 | 15.50 | 14.40 | 18.90 |
| 04 | 3.75 | 6.75 | 5.65 | 10.15 | 12 | 13.75 | 16.75 | 15.65 | 20.15 |
| 05 | 5.00 | 8.00 | 6.90 | 11.40 | 13 | 15.00 | 18.00 | 16.90 | 21.40 |
| 06 | 6.25 | 9.25 | 8.15 | 12.65 | 14 | 16.25 | 19.25 | 18.15 | 22.65 |
| 07 | 7.50 | 10.50 | 9.40 | 13.90 | 15 | 17.50 | 20.50 | 19.40 | 23.90 |
| 08 | 8.75 | 11.75 | 10.65 | 15.15 | 16 | 18.75 | 21.75 | 20.65 | 25.15 |
| 09 | 10.00 | 13.00 | 11.90 | 16.40 | | | | | |

| | | | | | | |
|--------------------|------------------------------|-----------------|-------------|------------------------|----------------------|-------------------------|
| 9821WRS-XXA-LPSNHF | LCP UL 94V-0 Halogen Free | Phosphor Bronze | Tin-Plated | Phosphor Bronze | Tin-Plated | 9821H |
| 9821WRS-XXA-LPSN | LCP UL 94V-0 | | | | | |
| PART NO | Material | Material(Pin) | Finish(Pin) | Material (Solder Tabs) | Finish (Solder Tabs) | Mates With ADZL Housing |

GENERAL TOLERANCE
 .X ±0.30
 .XX ±0.20
 .XXX ±0.10

 东莞市思量连接器有限公司
 DONGGUAN ADZL CONNECTORS CO.,LTD.

PART NO. 9821WRS-XXA-LPSN

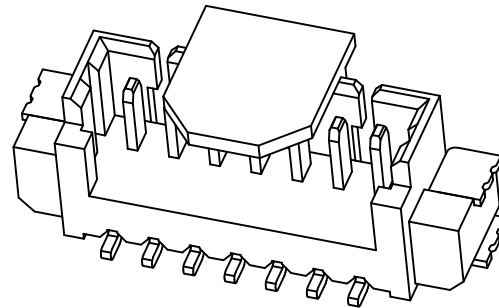
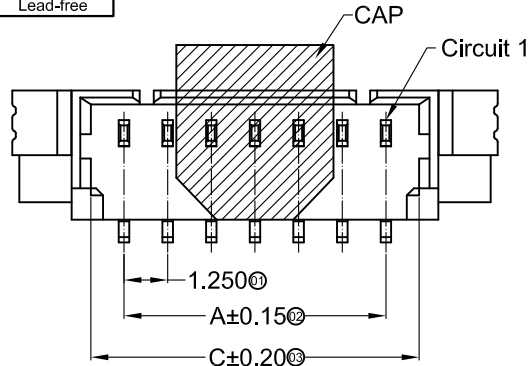
TITLE 1.25mm Crimp Style Connectors

PROJECT 

APPROVAL Ken CHECK Zhao Hong DRAWN Allen DATA 2018/03/25

UNIT MM SCALE 1:1 NUMBER REV

DATE OLD REV NEW REV ECN DESCRIPTION CHECK APPROVAL

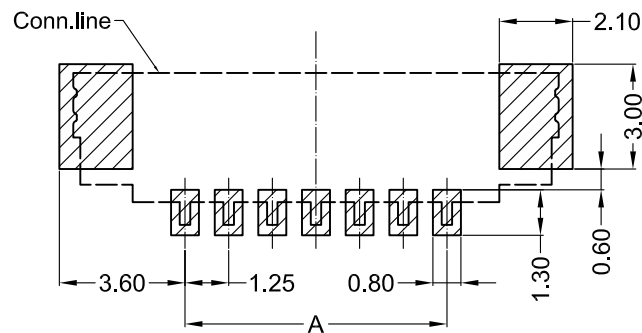
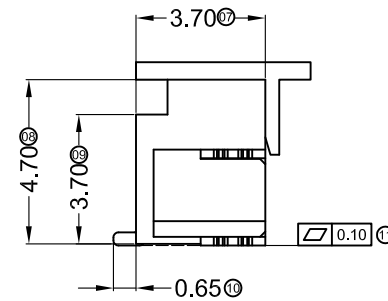
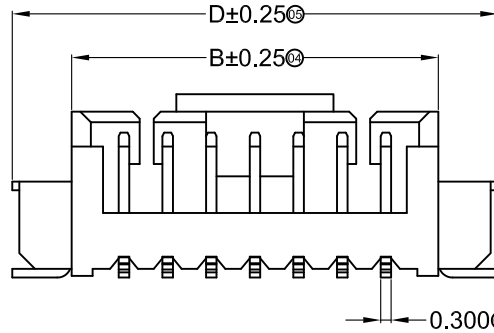


■ Specifications :

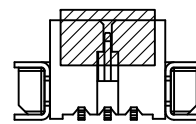
- Voltage rating: 125V AC / DC
- Current rating: 1A AC / DC
- Withstanding voltage: 250V AC/minute
- Temperature range: -25°C~+85°C
- Insulation resistance: ≥100MΩ
- Contact resistance: ≤20mΩ
- After environmental testing: ≤40mΩ

9821 W V S-XX A-LP SN XX
① ②③④⑤⑥⑦⑧⑨

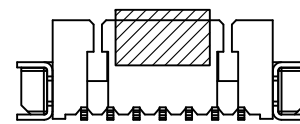
- ① Series No.
- ② Category: W-wafer
- ③ Welding Board Angle: V- Straight 180°
- ④ Welding Way: S-SMT
- ⑤ Row No.-Pin No.: XX-02P~16P
- ⑥ Plug the Pin & Special No.: A-All Ear clip
- ⑦ Material: LP-LCP 94V-0
- ⑧ Planting Category: SN-Bright tin plating ;
- ⑨ Color: Blank-natural color



Recommended P.C.B Layout
General Tolerance±0.05



02P~03P Single Gap
Scale 0.6:1



04P~16P Double Gap
Scale 0.6:1

| Poles | Dimensions(mm) | | | | Poles | Dimensions(mm) | | | |
|-------|----------------|-------|-------|-------|-------|----------------|-------|-------|-------|
| | A | B | C | D | | A | B | C | D |
| 02 | 1.25 | 4.25 | 3.15 | 7.65 | 10 | 11.25 | 14.25 | 13.15 | 17.65 |
| 03 | 2.50 | 5.50 | 4.40 | 8.90 | 11 | 12.50 | 15.50 | 14.40 | 18.90 |
| 04 | 3.75 | 6.75 | 5.65 | 10.15 | 12 | 13.75 | 16.75 | 15.65 | 20.15 |
| 05 | 5.00 | 8.00 | 6.90 | 11.40 | 13 | 15.00 | 18.00 | 16.90 | 21.40 |
| 06 | 6.25 | 9.25 | 8.15 | 12.65 | 14 | 16.25 | 19.25 | 18.15 | 22.65 |
| 07 | 7.50 | 10.50 | 9.40 | 13.90 | 15 | 17.50 | 20.50 | 19.40 | 23.90 |
| 08 | 8.75 | 11.75 | 10.65 | 15.15 | 16 | 18.75 | 21.75 | 20.65 | 25.15 |
| 09 | 10.00 | 13.00 | 11.90 | 16.40 | | | | | |

| | | | | | | |
|------------------|--------------|-----------------|-------------|------------------------|----------------------|-------------------------|
| 9821WVS-XXA-LPSN | LCP UL 94V-0 | Phosphor Bronze | Tin-Plated | Phosphor Bronze | Tin-Plated | 9821H |
| PART NO | Material | Material(Pin) | Finish(Pin) | Material (Solder Tabs) | Finish (Solder Tabs) | Mates With ADZL Housing |

GENERAL TOLERANCE
.X ±0.30
.XX ±0.20
.XXX ±0.10

 东莞市思量连接器有限公司
DONGGUAN ADZL CONNECTORS CO.,LTD.

PART NO. 9821WVS-XXA-XXSN

TITLE 1.25mm Crimp Style Connectors

PROJECT 

| | | | |
|----------|-----------|-------|------------|
| APPROVAL | CHECK | DRAWN | DATA |
| Ken | Zhao Hong | Allen | 2018/04/15 |

| | | | |
|------|-------|--------|-----|
| UNIT | SCALE | NUMBER | REV |
| MM | 1:1 | | |

| | | | | | | |
|------|---------|---------|-----|-------------|-------|----------|
| DATE | OLD REV | NEW REV | ECN | DESCRIPTION | CHECK | APPROVAL |
|------|---------|---------|-----|-------------|-------|----------|

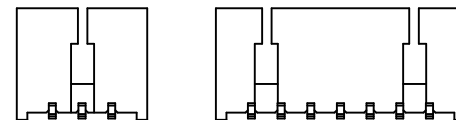
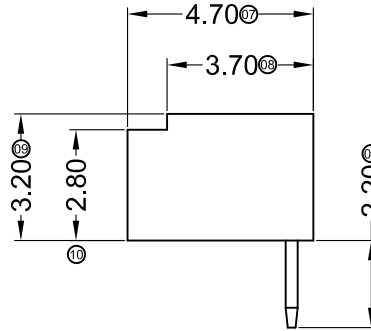
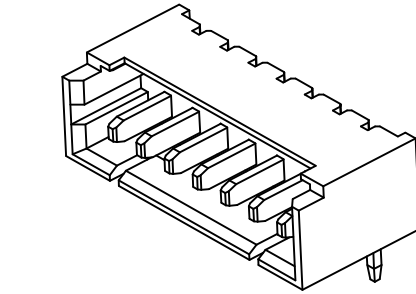
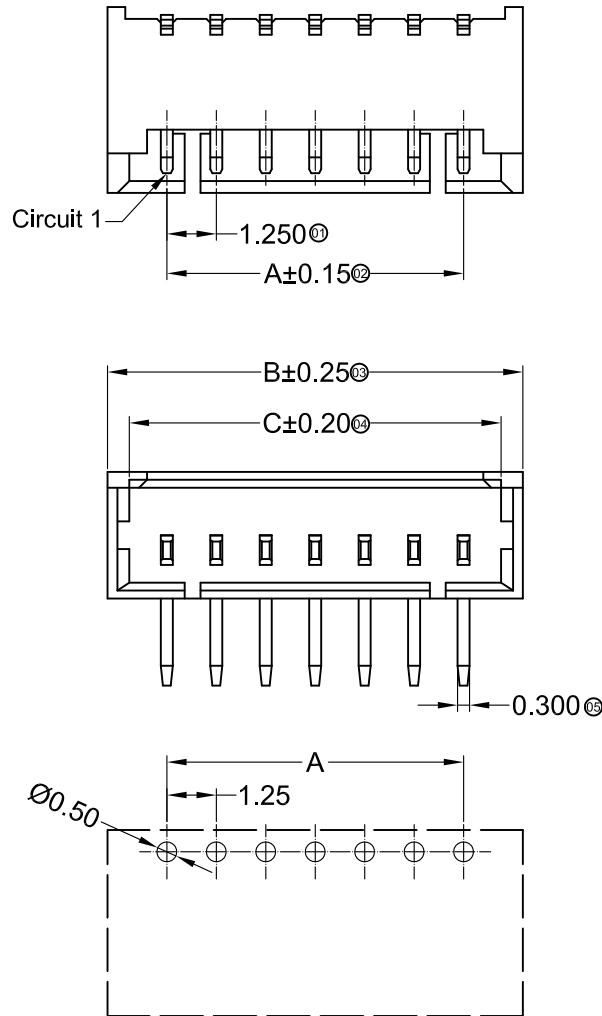
Specifications :

- Voltage rating: 125V AC / DC
- Current rating: 1A AC / DC
- Withstanding voltage: 250V AC/minute
- Temperature range: -25°C~+85°C
- Insulation resistance: ≥100MΩ
- Contact resistance: ≤20mΩ
- After environmental testing: ≤40mΩ

9821 W R X-XX X-XX SN XX
① ②③④⑤⑥⑦⑧⑨

- ① Series No.
- ② Category: W-wafer
- ③ Welding Board Angle: R- Right Angle 90°
- ④ Welding Way: Blank-DIP
- ⑤ Row No.-Pin No.: XX-02P~16P
- ⑥ Plug the Pin & Special No.:
- ⑦ Material: 46-PA46 94V-0 ;LP-LCP 94V-0
- ⑧ Planting Category: SN-Bright tin plating ;SW-MatteTin plating
- ⑨ Color: Blank-natural color

| Poles | Dimensions(mm) | | | Poles | Dimensions(mm) | | |
|-------|----------------|-------|-------|-------|----------------|-------|-------|
| | A | B | C | | A | B | C |
| 02 | 1.25 | 4.25 | 3.15 | 10 | 11.25 | 14.25 | 13.15 |
| 03 | 2.50 | 5.50 | 4.40 | 11 | 12.50 | 15.50 | 14.40 |
| 04 | 3.75 | 6.75 | 5.65 | 12 | 13.75 | 16.75 | 15.65 |
| 05 | 5.00 | 8.00 | 6.90 | 13 | 15.00 | 18.00 | 16.90 |
| 06 | 6.25 | 9.25 | 8.15 | 14 | 16.25 | 19.25 | 18.15 |
| 07 | 7.50 | 10.50 | 9.40 | 15 | 17.50 | 20.50 | 19.40 |
| 08 | 8.75 | 11.75 | 10.65 | 16 | 18.75 | 21.75 | 20.65 |
| 09 | 10.00 | 13.00 | 11.90 | | | | |



02P~03P Single Gap
Scale 0.6:1

04P~16P Double Gap
Scale 0.6:1

Recommended P.C.B Layout
General Tolerance±0.05

| | | | | |
|----------------|---------------|---------------|-------------|-------------------------|
| 9821WR-XX-LPSN | LCP UL 94V-0 | Brass | Tin-Plated | 9821H |
| 9821WR-XX-46SN | PA46 UL 94V-0 | | | |
| PART NO | Material | Material(Pin) | Finish(Pin) | Mates With ADZL Housing |

| GENERAL TOLERANCE | |
|-------------------|-------|
| .X | ±0.30 |
| .XX | ±0.20 |
| .XXX | ±0.10 |

 东莞市思量连接器有限公司
DONGGUAN ADZL CONNECTORS CO.,LTD.

PART NO. 9821WR-XX-XXSN

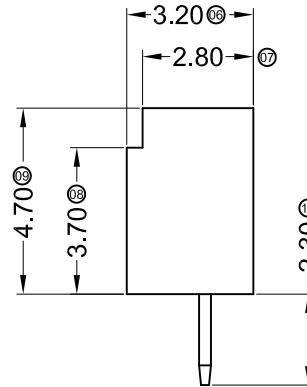
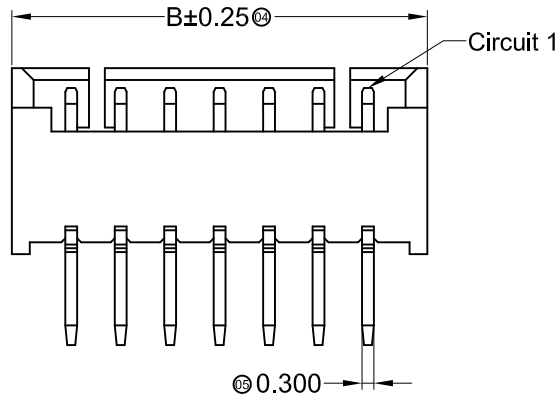
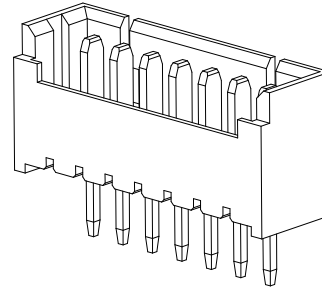
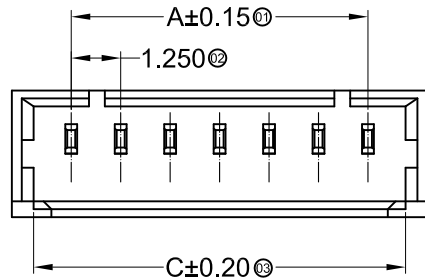
TITLE 1.25mm Crimp Style Connectors

APPROVAL CHECK DRAWN DATA

PROJECT Ken Zhao Hong Allen 2019/08/16

| UNIT | SCALE | NUMBER | REV |
|------|-------|--------|-----|
| MM | 1:1 | 8 | |

| DATE | OLD REV | NEW REV | ECN | DESCRIPTION | CHECK | APPROVAL |
|------|---------|---------|-----|-------------|-------|----------|
| | | | | | | |



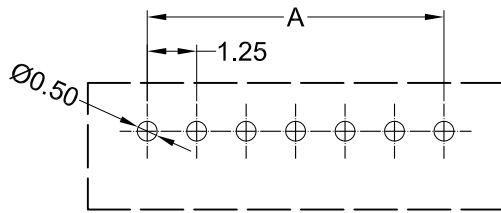
Specifications :

- Voltage rating: 125V AC / DC
- Current rating: 1A AC / DC
- Withstanding voltage: 250V AC/minute
- Temperature range: -25°C~+85°C
- Insulation resistance: ≥100MΩ
- Contact resistance: ≤20mΩ
- After environmental testing: ≤40mΩ

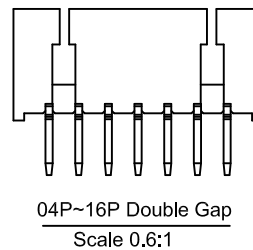
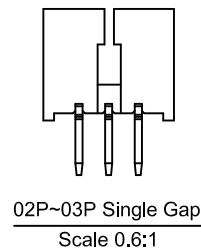
9821 W V X-XX X-XX SN XX
① ②③④⑤⑥⑦⑧⑨

- ① Series No.
- ② Category: W-wafer
- ③ Welding Board Angle: V- Straight 180°
- ④ Welding Way: Blank-DIP
- ⑤ Row No.-Pin No.: XX-02P~16P
- ⑥ Plug the Pin & Special No.:
- ⑦ Material: 46-PA46 94V-0 ; LP-LCP 94V-0
- ⑧ Planting Category: SN-Bright tin plating ; SW-Matte Tin plating
- ⑨ Color: Blank-natural color

| Poles | Dimensions(mm) | | | Poles | Dimensions(mm) | | |
|-------|----------------|-------|-------|-------|----------------|-------|-------|
| | A | B | C | | A | B | C |
| 02 | 1.25 | 4.25 | 3.15 | 10 | 11.25 | 14.25 | 13.15 |
| 03 | 2.50 | 5.50 | 4.40 | 11 | 12.50 | 15.50 | 14.40 |
| 04 | 3.75 | 6.75 | 5.65 | 12 | 13.75 | 16.75 | 15.65 |
| 05 | 5.00 | 8.00 | 6.90 | 13 | 15.00 | 18.00 | 16.90 |
| 06 | 6.25 | 9.25 | 8.15 | 14 | 16.25 | 19.25 | 18.15 |
| 07 | 7.50 | 10.50 | 9.40 | 15 | 17.50 | 20.50 | 19.40 |
| 08 | 8.75 | 11.75 | 10.65 | 16 | 18.75 | 21.75 | 20.65 |
| 09 | 10.00 | 13.00 | 11.90 | | | | |



Recommended P.C.B Layout
General Tolerance±0.05



| | | | | |
|----------------|---------------|---------------|-------------|-------------------------|
| 9821WV-XX-LPSN | LCP UL 94V-0 | Brass | Tin-Plated | 9821H |
| 9821WV-XX-46SN | PA46 UL 94V-0 | | | |
| PART NO | Material | Material(Pin) | Finish(Pin) | Mates With ADZL Housing |

GENERAL TOLERANCE

| | |
|------|-------|
| .X | ±0.30 |
| .XX | ±0.20 |
| .XXX | ±0.10 |

 东莞市思量连接器有限公司
DONGGUAN ADZL CONNECTORS CO.,LTD.

PART NO. 9821WV-XX-XXSN

TITLE 1.25mm Crimp Style Connectors

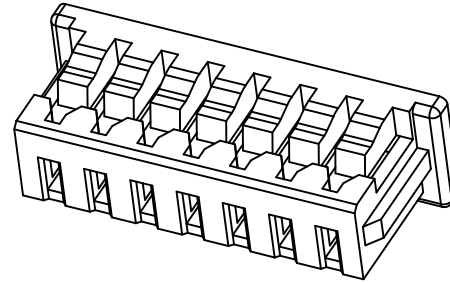
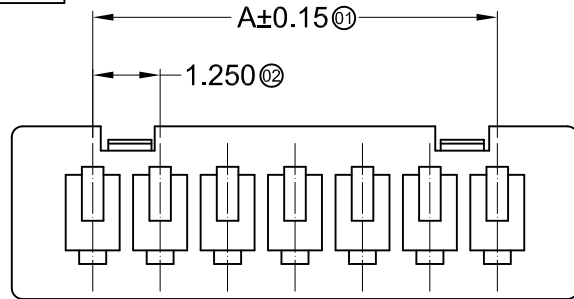
APPROVAL CHECK DRAWN DATA

Ken Zhao Hong Allen 2022/02/10

UNIT SCALE NUMBER REV
MM 1:1 8

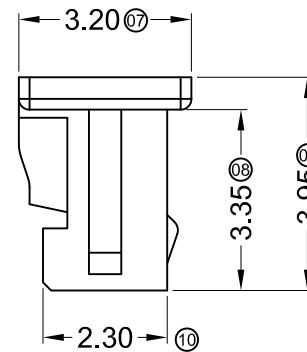
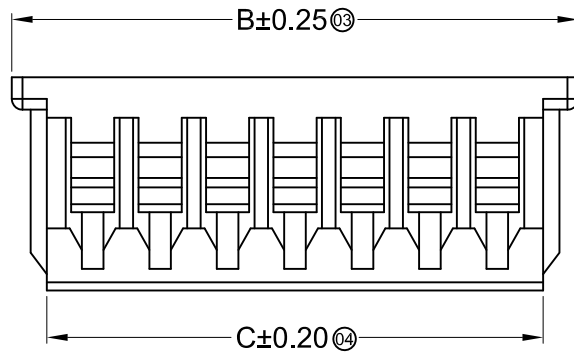
DATE OLD REV NEW REV ECN DESCRIPTION CHECK APPROVAL

1 2 3 4 5 6 7 8



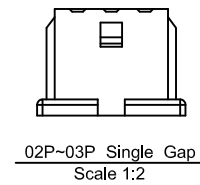
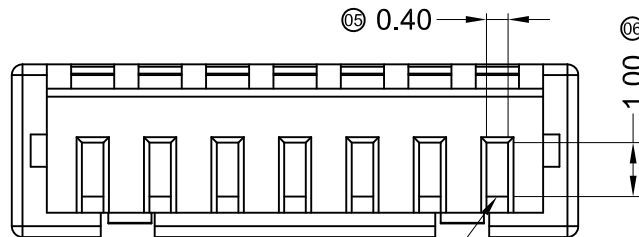
■ Specifications :

- Voltage rating: 125V AC / DC
- Current rating: 1A AC / DC
- Withstanding voltage: 250V AC/minute
- Temperature range: -25°C~+85°C
- Insulation resistance: ≥100MΩ
- Contact resistance: ≤20mΩ
- After environmental testing: ≤40mΩ

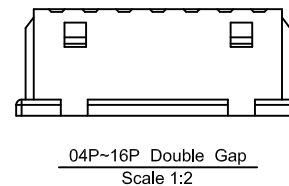


9821 H X-XX XX-N0 HF
① ② ③ ④ ⑤ ⑥ ⑦

- ① Series No.
- ② Category: H-HSG
- ③ Welding Board Angle: Blank-ordinary
- ④ Row No.-Pin No.: XX-02P~16P
- ⑤ Plug the Pin & special No.:
- ⑥ Material: N0-PA66 94V-0; PT-PBT UL 94V-0
- ⑦ HF-Halogen free



| Poles | Dimensions(mm) | | | Poles | Dimensions(mm) | | |
|-------|----------------|-------|-------|-------|----------------|-------|-------|
| | A | B | C | | A | B | C |
| 02 | 1.25 | 4.25 | 2.95 | 10 | 11.25 | 14.25 | 12.95 |
| 03 | 2.50 | 5.50 | 4.20 | 11 | 12.50 | 15.50 | 14.20 |
| 04 | 3.75 | 6.75 | 5.45 | 12 | 13.75 | 16.75 | 15.45 |
| 05 | 5.00 | 8.00 | 6.70 | 13 | 15.00 | 18.00 | 16.70 |
| 06 | 6.25 | 9.25 | 7.95 | 14 | 16.25 | 19.25 | 17.95 |
| 07 | 7.50 | 10.50 | 9.20 | 15 | 17.50 | 20.50 | 19.20 |
| 08 | 8.75 | 11.75 | 10.45 | 16 | 18.75 | 21.75 | 20.45 |
| 09 | 10.00 | 13.00 | 11.70 | | | | |



| | | | |
|---------------|-----------------------------------|------------------------|-----------------------|
| 9821H-XX-PT | PBT UL 94V-0 | 9821T | 9821W |
| 9821H-XX-N0HF | Nylon 66 UL 94V-0 Halogen-Free | | |
| 9821H-XX-N0 | Nylon 66 UL 94V-0 | | |
| PART NO | Material | Suitable ADZL Terminal | Mates With ADZL Wafer |

Circuit 1

GENERAL TOLERANCE
.X ±0.30
.XX ±0.20
.XXX ±0.10

 东莞市思量连接器有限公司
DONGGUAN ADZL CONNECTORS CO.,LTD.

PART NO. 9821H-XXXX-XXXX

TITLE 1.25mm Crimp Style Connectors

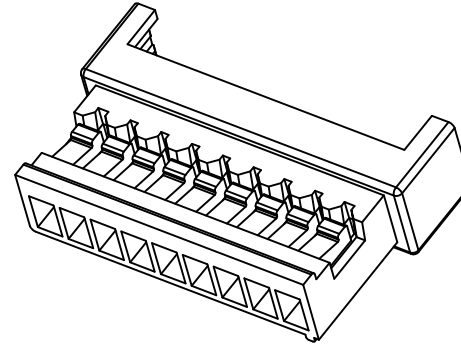
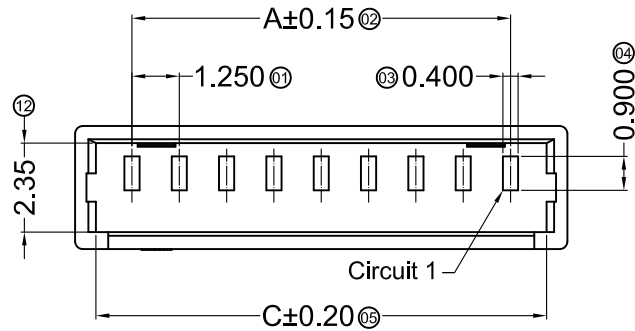
APPROVAL CHECK DRAWN DATA

Ken Zhao Hong Allen 2019/08/13

UNIT SCALE NUMBER REV
MM 1:1 8

PROJECT 

| DATE | OLD REV | NEW REV | ECN | DESCRIPTION | CHECK | APPROVAL | PROJECT |
|------|---------|---------|-----|-------------|-------|----------|---------|
| 1 | | | | | | | |
| 2 | | | | | | | |
| 3 | | | | | | | |
| 4 | | | | | | | |



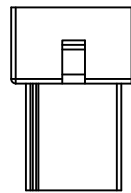
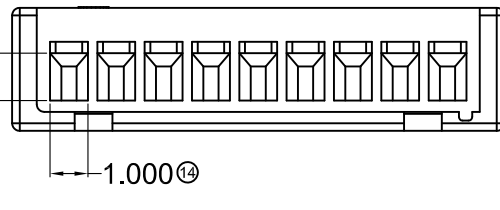
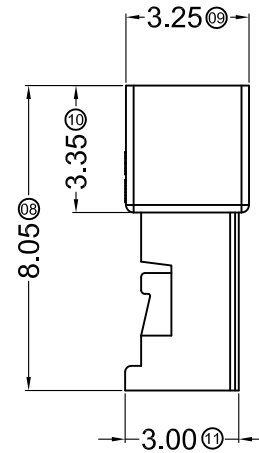
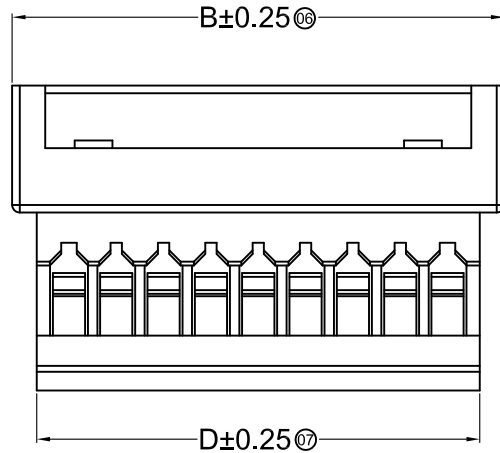
■ Specifications :

- Voltage rating: 125V AC / DC
- Current rating: 1A AC / DC
- Withstanding voltage: 250V AC/minute
- Temperature range: -25°C~+85°C
- Insulation resistance: ≥100MΩ
- Contact resistance: ≤20mΩ
- After environmental testing: ≤40mΩ

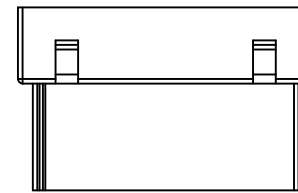
9821 H F-XX X-N0 HF

① ②③ ④ ⑤ ⑥ ⑦

- ① Series No.
- ② Category: H-HSG
- ③ Welding Board Angle: F-Female HSG
- ④ Row No.-Pin No.: XX-02P~16P
- ⑤ Plug the Pin & special No.:
- ⑥ Material: N0-PA66 94V-0; PT-PBT UL 94V-0
- ⑦ HF-Halogen free



02P~03P Single hole
Scale 0.6:1



04P~16P Double hole
Scale 0.6:1

| Poles | Dimensions(mm) | | | | Poles | Dimensions(mm) | | | |
|-------|----------------|-------|-------|-------|-------|----------------|-------|-------|-------|
| | A | B | C | D | | A | B | C | D |
| 02 | 1.25 | 4.25 | 3.15 | 2.95 | 10 | 11.25 | 14.25 | 13.15 | 12.95 |
| 03 | 2.50 | 5.50 | 4.40 | 4.20 | 11 | 12.50 | 15.50 | 14.40 | 14.20 |
| 04 | 3.75 | 6.75 | 5.65 | 5.45 | 12 | 13.75 | 16.75 | 15.65 | 15.45 |
| 05 | 5.00 | 8.00 | 6.90 | 6.70 | 13 | 15.00 | 18.00 | 16.90 | 16.70 |
| 06 | 6.25 | 9.25 | 8.15 | 7.95 | 14 | 16.25 | 19.25 | 18.15 | 17.95 |
| 07 | 7.50 | 10.50 | 9.40 | 9.20 | 15 | 17.50 | 20.50 | 19.40 | 19.20 |
| 08 | 8.75 | 11.75 | 10.65 | 10.45 | 16 | 18.75 | 21.75 | 20.65 | 20.45 |
| 09 | 10.00 | 13.00 | 11.90 | 11.70 | | | | | |

| | | | |
|----------------|--------------------------------|------------------------|-------------------------|
| 9821HF-XX-PT | PBT UL 94V-0 | 9821TM | 9821H |
| 9821HF-XX-N0HF | Nylon 66 UL 94V-0 Halogen-Free | | |
| 9821HF-XX-N0 | Nylon 66 UL 94V-0 | | |
| PART N0 | Material | Suitable ADZL Terminal | Mates With ADZL Housing |

GENERAL TOLERANCE

| | |
|------|-------|
| .X | ±0.30 |
| .XX | ±0.20 |
| .XXX | ±0.10 |

 东莞市思量连接器有限公司
DONGGUAN ADZL CONNECTORS CO.,LTD.

PART NO. 9821HF-XX-N0XX

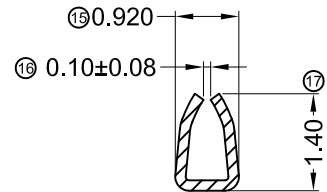
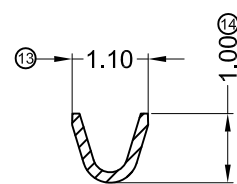
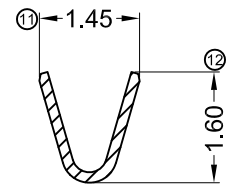
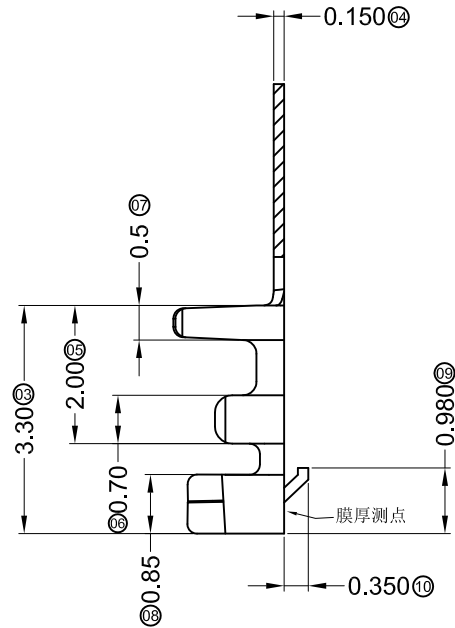
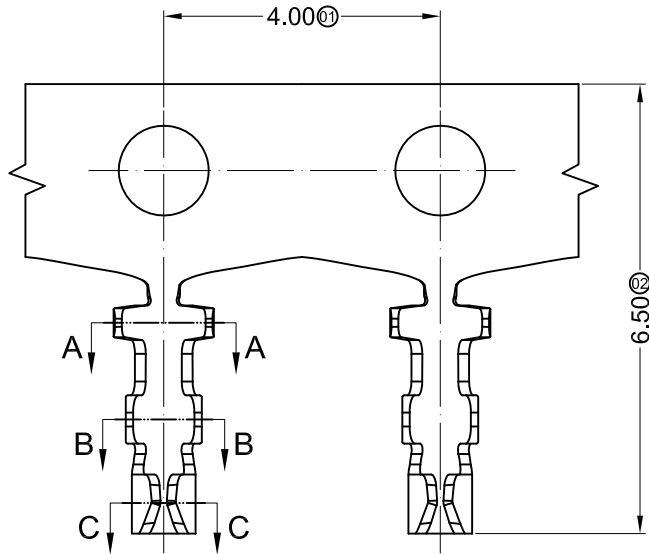
TITLE 1.25mm Crimp Style Connectors

PROJECT 

| | | | |
|----------|-----------|-------|------------|
| APPROVAL | CHECK | DRAWN | DATA |
| Ken | Zhao Hong | Allen | 2014/05/15 |

| | | | |
|------|-------|--------|-----|
| UNIT | SCALE | NUMBER | REV |
| MM | 1:1 | | |

| | | | | | | |
|------|---------|---------|-----|-------------|-------|----------|
| DATE | OLD REV | NEW REV | ECN | DESCRIPTION | CHECK | APPROVAL |
| | | | | | | |



■ Specifications :

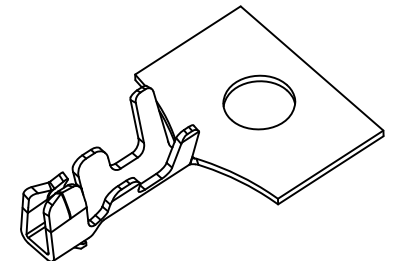
- Voltage rating: 125V AC / DC
- Current rating: 1A AC / DC
- Withstanding voltage: 250V AC/minute
- Temperature range: -25°C~+85°C
- Insulation resistance: ≥100MΩ
- Contact resistance: ≤20mΩ
- After environmental testing: ≤40mΩ

9821 T X-P XX X-01

① ② ③ ④ ⑤ ⑥ ⑦

- ① Series Number
- ② Category: T-terminal
- ③ Shape: Blank-ordinary
- ④ Material: P-Phosphor bronze
- ⑤ Plating style: V01-Gold Flash ; SN-Bright tin plating
SN2-Bright Tin plating 120u"Min.
G15-Contact Gold 15u" Min

- ⑥ Plating method: Blank-Stamping before plating
- ⑦ Numbering



| | | | | | |
|---------------|-----------------|------------|-----------------|---|----------------------|
| 9821T-PG15-01 | | | | Stamping Before Pating:30u" Min Ni;Whole Gold15u" Min | 9821H |
| 9821T-PSN2-01 | Phosphor Bronze | AWG#28-32 | 1.00mm(Max) | Stamping Before Plating:50u" Min Ni;120u"Sn Min | |
| 9821T-PV01-01 | | | | Stamping Before Pating:30u" Min Ni;Whole Gold :Gold Flash | |
| 9821T-PSN-01 | | | | Stamping Before Plating:30u" Min Ni;70u"Sn Min | |
| PART NO | Material | Wire Range | Insulation O.D. | Finish | Used In ADZL Housing |

| | |
|-------------------|-------|
| GENERAL TOLERANCE | |
| .X | ±0.30 |
| .XX | ±0.20 |
| .XXX | ±0.10 |

 东莞市思量连接器有限公司
DONGGUAN ADZL CONNECTORS CO.,LTD.

PART NO. 9821T-PXX-01

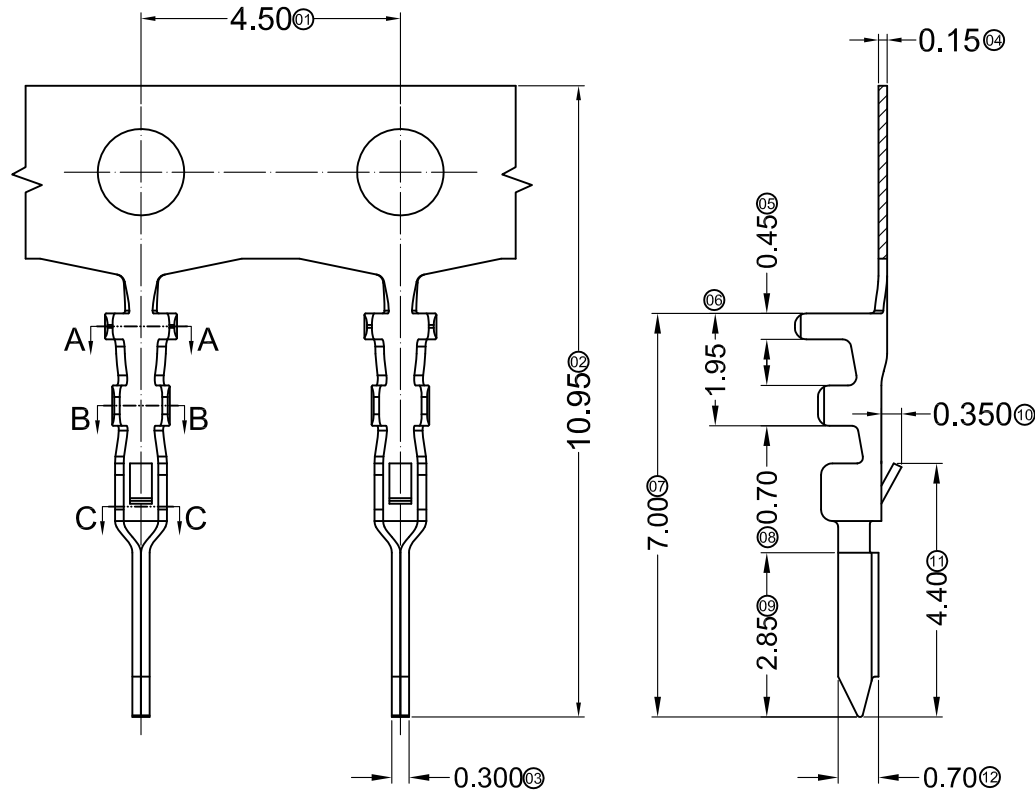
TITLE 1.25mm Crimp Style Connectors

PROJECT 

| | | | |
|----------|-----------|-------|------------|
| APPROVAL | CHECK | DRAWN | DATA |
| Ken | Zhao Hong | Allen | 2019/08/30 |

| | | | |
|------|-------|--------|-----|
| UNIT | SCALE | NUMBER | REV |
| MM | 1:1 | 8 | |

| | | | | | | |
|------|---------|---------|-----|-------------|-------|----------|
| DATE | OLD REV | NEW REV | ECN | DESCRIPTION | CHECK | APPROVAL |
| | | | | | | |

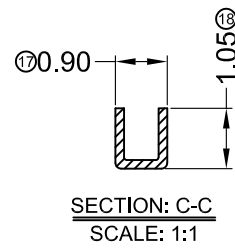
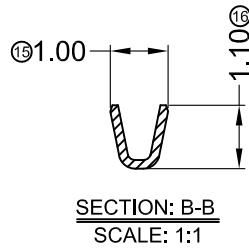
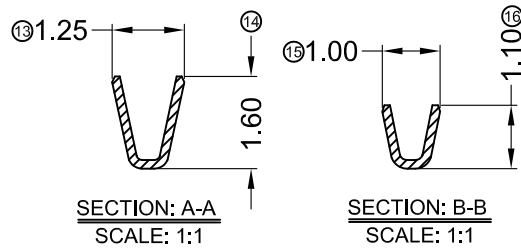


■ Specifications :

- Voltage rating: 125V AC / DC
- Current rating: 1A AC / DC
- Withstanding voltage: 250V AC/minute
- Temperature range: -25°C~+85°C
- Insulation resistance: ≥100MΩ
- Contact resistance: ≤20mΩ
- After environmental testing: ≤40mΩ

9821 T M-P XX X-X
 ① ② ③ ④ ⑤ ⑥ ⑦

- ① Series Number
- ② Category: T-terminal
- ③ Shape: M-male
- ④ Material: P-Phosphor bronze
- ⑤ Plating style: V01-Gold Flash ; SN-Bright tin plating
- ⑥ Plating method: Blank-Stamping before plating
- ⑦ Mold No./Mark/Special No.



| | | | | | |
|-------------|-----------------|------------|-----------------|---|----------------------|
| 9821TM-PV01 | Phosphor Bronze | AWG#28-32 | 1.00mm(Max) | Stamping Before Pating:30u" Min Ni;Whole Gold :Gold Flash | 9821HF |
| 9821TM-PSN | | | | Stamping Before Plating:30u" Min Ni; 70u"Sn Min | |
| PART NO | Material | Wire Range | Insulation O.D. | Finish | Used In ADZL Housing |

| | |
|-------------------|-------|
| GENERAL TOLERANCE | |
| .X | ±0.30 |
| .XX | ±0.20 |
| .XXX | ±0.10 |

 东莞市思量连接器有限公司
 DONGGUAN ADZL CONNECTORS CO.,LTD.

PART NO. 9821TM-PXX

TITLE 1.25mm Crimp Style Connectors



| | | | |
|----------|-----------|-------|------------|
| APPROVAL | CHECK | DRAWN | DATA |
| Ken | Zhao Hong | Allen | 2018/06/16 |

| | | | |
|------|-------|--------|-----|
| UNIT | SCALE | NUMBER | REV |
| MM | 1:1 | 8 | |

| | | | | | | |
|------|---------|---------|-----|-------------|-------|----------|
| DATE | OLD REV | NEW REV | ECN | DESCRIPTION | CHECK | APPROVAL |
| | | | | | | |