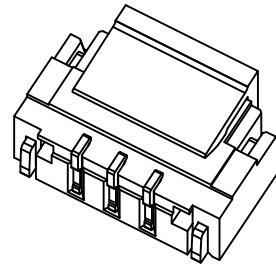
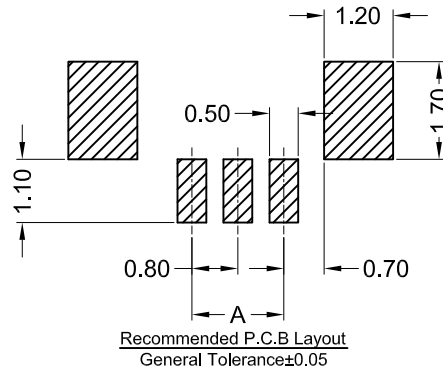
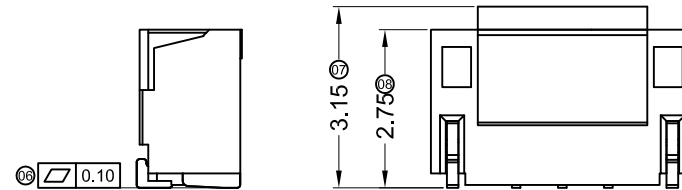
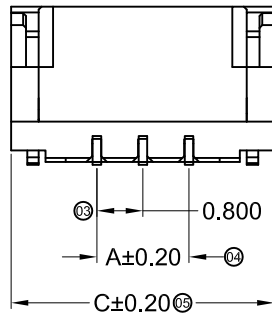


Specifications :

- Voltage rating: 30V AC / DC
- Current rating: 0.5A AC / DC
- Withstanding voltage: 200V AC/minute
- Temperature range: -25°C~+85°C
- Insulation resistance: ≥100MΩ
- Contact resistance: ≤20mΩ
- After environmental testing: ≤40mΩ
- Mates With ADZL Housing 0800H

0800 W V S-XX HF -LP XX XX
① ②③④ ⑤ ⑥ ⑦ ⑧ ⑨

- ① Series No
- ② Category: W-WAFER
- ③ Welding Board Angle: V-180°
- ④ Welding Way: S-SMT
- ⑤ Row No.-Pin No.: XX-Single Row
- ⑥ Special No.: HF-Halogen Free
- ⑦ Material: LP -LCP 94V-0
- ⑧ Plating Category: V01-All Gold Flash
SN-Bright Tin Plating
- ⑨ Color : Blank-Natural Color;BK-black



Poles	Dimensions (mm)			Poles	Dimensions (mm)		
	A	B	C		A	B	C
02	0.80	1.90	3.78	12	8.80	9.90	11.78
03	1.60	2.70	4.58	13	9.60	10.70	12.58
04	2.40	3.50	5.38	14	10.40	11.50	13.38
05	3.20	4.30	6.18	15	11.20	12.30	14.18
06	4.00	5.10	6.98	16	12.00	13.10	14.98
07	4.80	5.90	7.78	17	12.80	13.90	15.78
08	5.60	6.70	8.58	18	13.60	14.70	16.58
09	6.40	7.50	9.38	19	14.40	15.50	17.38
10	7.20	8.30	10.18	20	15.20	16.30	18.18
11	8.00	9.10	10.98				

0800WVS-XXHF-LPV01	LCP UL 94V-0	Phosphor Bronze	Gold-Flash	Phosphor Bronze	Gold-Flash
0800WVS-XXHF-LPSN			Tin-Plated		Tin-Plated
PART NO	Material	Material(Pin)	Finish(Pin)	Material (Solder Tabs)	Finish (Solder Tabs)

GENERAL TOLERANCE
.X ±0.30
.XX ±0.20
.XXX ±0.10

 东莞市思量连接器有限公司
DONGGUAN ADZL CONNECTORS CO.,LTD.


PART NO. 0800WVS-XXHF-LPXX

TITLE 0.80 mm IDC Style Connectors

APPROVAL CHECK DRAWN DATA

Ken Zhao Hong Allen 2017/08/17

UNIT MM SCALE 1:1 NUMBER REV

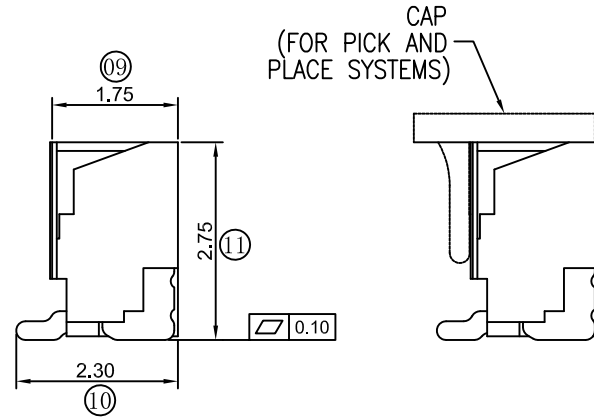
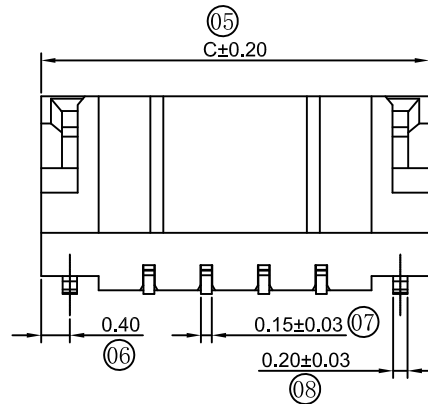
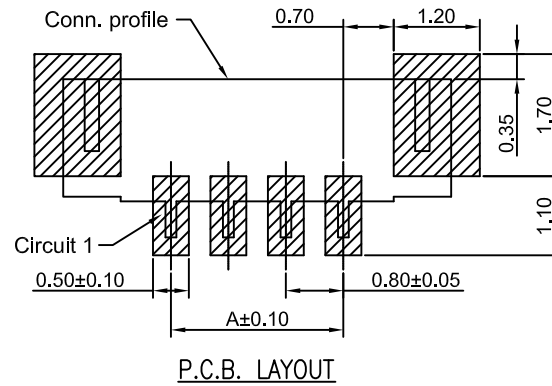
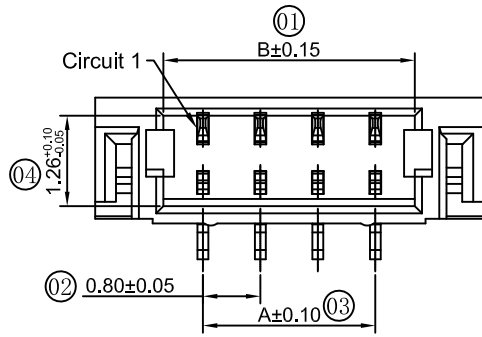
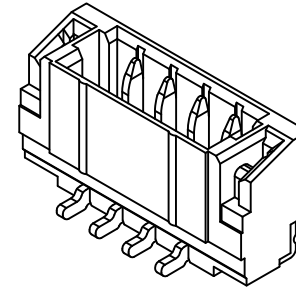
DATE	OLD REV	NEW REV	ECN	DESCRIPTION	CHECK	APPROVAL	PROJECT
							

■ Specifications :

- Voltage rating: 30V AC / DC
- Current rating: 0.5A AC / DC
- Withstanding voltage: 200V AC/minute
- Temperature range: -25°C~+85°C
- Insulation resistance: ≥100MΩ
- Contact resistance: ≤20mΩ
- After environmental testing: ≤40mΩ

0800 W V S-XX HF -LP XX XX - X
 ① ②③④⑤⑥⑦⑧⑨⑩

- ① Series No
- ② Category: W-WAFER
- ③ Welding Board Angle: V-180°
- ④ Welding Way: S-SMT
- ⑤ Row No.-Pin No.: XX-Single Row
- ⑥ Special No.: HF-Halogen Free
- ⑦ Material: LP-LCP 94V-0
- ⑧ Plating Category: V01-All Gold Flash
SW-Matte Tin Plating
- ⑨ Color : Blank-Natural Color BK-Black
- ⑩ Plug the Pin & Special No:B-B TYPE



CAP
(FOR PICK AND PLACE SYSTEMS)

Poles	Dimensions (mm)			Poles	Dimensions (mm)		
	A	B	C		A	B	C
02	0.80	1.90	3.80	12	8.80	9.90	11.80
03	1.60	2.70	4.60	13	9.60	10.70	12.60
04	2.40	3.50	5.40	14	10.40	11.50	13.40
05	3.20	4.30	6.20	15	11.20	12.30	14.20
06	4.00	5.10	7.00	16	12.00	13.10	15.00
07	4.80	5.90	7.80	17	12.80	13.90	15.80
08	5.60	6.70	8.60	18	13.60	14.70	16.60
09	6.40	7.50	9.40	19	14.40	15.50	17.40
10	7.20	8.30	10.20	20	15.20	16.30	18.20
11	8.00	9.10	11.00				

0800WVS-XXHF-LPV01-B	LCP UL 94V-0	Phosphor Bronze	Gold-Flash	Phosphor Bronze	Gold-Flash
0800WVS-XXHF-LPV01BK-B			Gold-Flash		Gold-Flash
0800WVS-XXHF-LPSWBK-B			Tin-Plated		Tin-Plated
PART NO	Material	Material(Pin)	Finish(Pin)	Material (Solder Tabs)	Finish (Solder Tabs)

GENERAL TOLERANCE
 .X ±0.30
 .XX ±0.20
 .XXX ±0.10

 东莞市思量连接器有限公司
 DONGGUAN ADZL CONNECTORS CO.,LTD.

PART NO. 0800WVS-XXHF-LPXX-B

TITLE 0.80 mm IDC Style Connectors

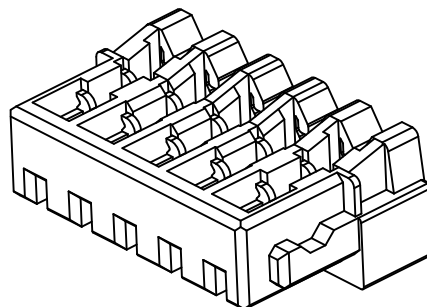
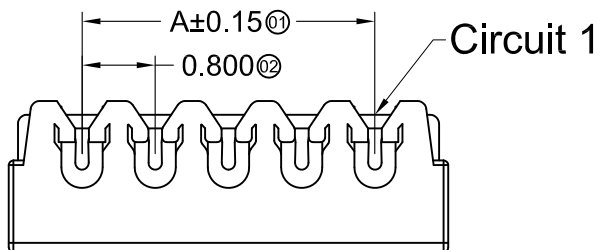
PROJECT 

APPROVAL CHECK DRAWN DATA

UNIT SCALE NUMBER REV
 MM 1:1

DATE OLD REV NEW REV ECN DESCRIPTION CHECK APPROVAL

Ken Zhao Hong Allen 2019/12/16

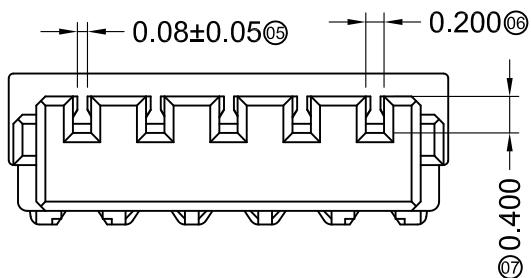
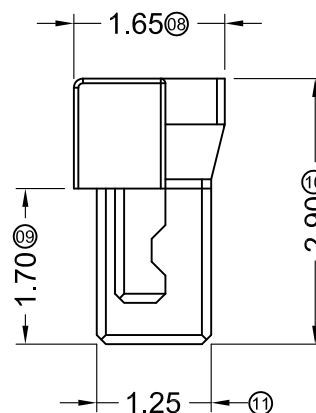
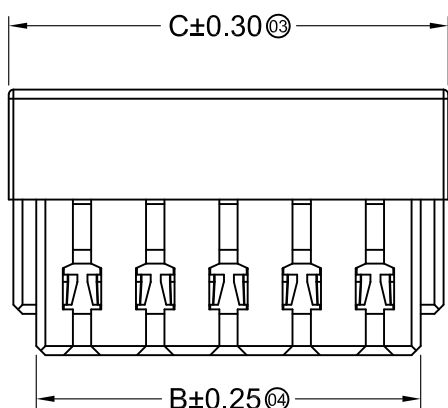


■ Specifications :

- Voltage rating: 30V AC / DC
- Current rating: 0.5A AC / DC
- Withstanding voltage: 200V AC/minute
- Temperature range: -25°C~+85°C
- Insulation resistance: ≥100MΩ
- Contact resistance: ≤20mΩ
- After environmental testing: ≤40mΩ

0800 HI - XX X - N0 HF XX
 ① ② ③ ④ ⑤ ⑥ ⑦ ⑧

- ① Series No.
- ② Category: H-HSG
- ③ Welding Board Angle: I-HSG+hardware
- ④ Row No.-Pin No.: XX-Single row
- ⑤ Plug the Pin & special No. G-Gold Plating
- ⑥ Material : N0-PA66 94V-0
- ⑦ HF-Halogen free
- ⑧ Color: Blank-Natural color BK-Black color



Poles	Dimensions(mm)			Poles	Dimensions(mm)		
	A	B	C		A	B	C
02	0.80	1.78	2.40	12	8.80	9.78	10.40
03	1.60	2.58	3.20	13	9.60	10.58	11.20
04	2.40	3.38	4.00	14	10.40	11.38	12.00
05	3.20	4.18	4.80	15	11.20	12.18	12.80
06	4.00	4.98	5.60	16	12.00	12.98	13.60
07	4.80	5.78	6.40	17	12.80	13.78	14.40
08	5.60	6.58	7.20	18	13.60	14.58	15.20
09	6.40	7.38	8.00	19	14.40	15.38	16.00
10	7.20	8.18	8.80	20	15.20	16.18	16.80
11	8.00	8.98	9.60	22	16.80	17.78	18.40

0800HI-XX-N0HF	PA66 UL 94V-0	AWG#32-36	0.39mm(Max)	Phosphor Bronze	Tin-Plated	0800W
0800HI-XXG-N0HF	Halogen Free				Gold-Flash	
PART NO	Material	Wire Range	Insulation O.D.	Material(Terminal)	Finish(Terminal)	Mates With ADZL Wafer

DATE	OLD REV	NEW REV	ECN	DESCRIPTION	CHECK	APPROVAL	

GENERAL TOLERANCE
 .X ±0.30
 .XX ±0.20
 .XXX ±0.10

PROJECT 

APPROVAL Ken CHECK Zhao Hong DRAWN Allen DATA 2017/05/03

 东莞市思量连接器有限公司
 DONGGUAN ADZL CONNECTORS CO.,LTD.

PART NO. 0800HI-XXX-N0HFXX			
TITLE 0.80mm IDC Style Connectors			
UNIT MM	SCALE 1:1	NUMBER 8	REV