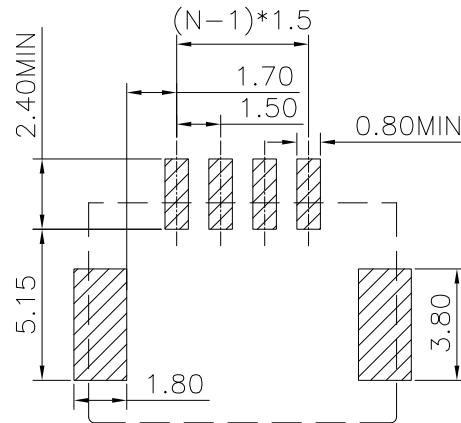
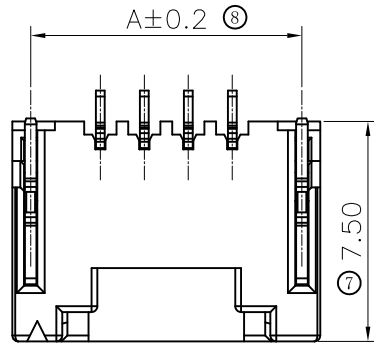


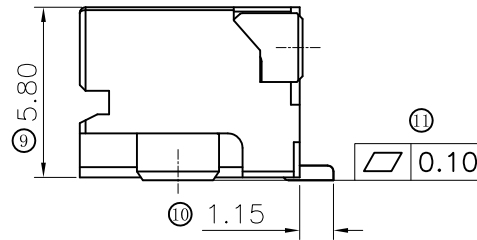
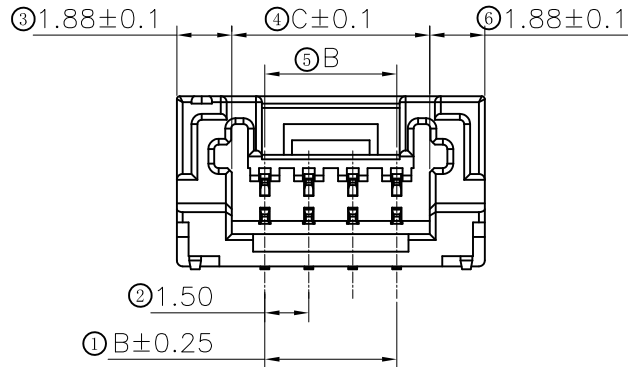
RoHS

WWW.ADZLCONN.COM

TEL:0769-82285488



Recommended P.C.B Layout
General Tolerance±0.05



Specifications :

- Voltage rating: 125V AC / DC
- Current rating: 2A AC / DC
- Withstanding voltage: 800V AC/minute
- Temperature range: -40°C~+105°C
- Insulation resistance: ≥500MΩ
- Contact resistance: ≤20mΩ
- After environmental testing: ≤40mΩ
- Material(Pin): Phosphor bronze
- Mates With ADZL Housing: 1551H

1551 W R S-XX XX - 9T SN XX R
① ② ③ ④ ⑤ ⑥ ⑦ ⑧ ⑨ ⑩

- ① Series No.
- ② Category: W-WAFER
- ③ Welding Board Angle: R-Right Angle 90°
- ④ Welding Way: S-SMT
- ⑤ Row No.-Pin No.: XX-02P~05P
- ⑥ Plug the Pin & Special No.:
- ⑦ Material: 9T -PA9T UL 94V-0
- ⑧ Plating Category: SN-Bright Tin Plating
- ⑨ Color : Blank-Natural Color
- ⑩ Packag: R-Reel

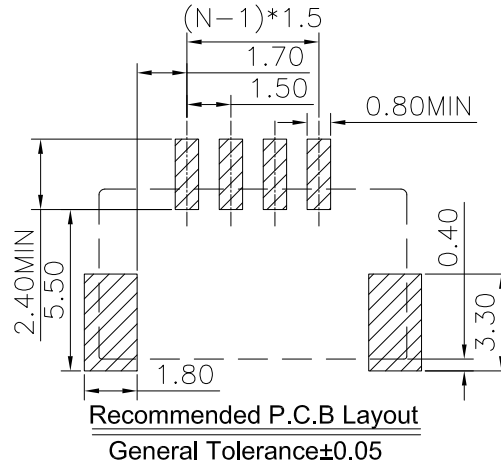
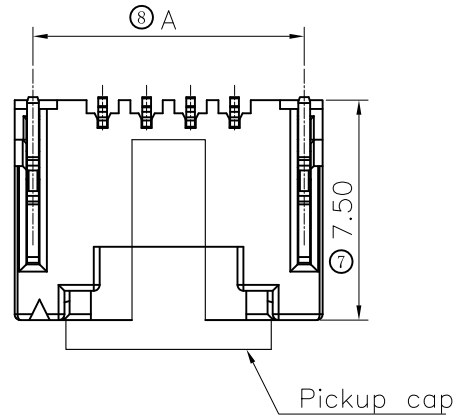
Poles	Dimensions(mm)			Poles	Dimensions(mm)		
	A	B	C		A	B	C
02	6.25	1.50	3.75	10	18.25	13.50	15.75
03	7.75	3.00	5.25	11	19.75	15.00	17.25
04	9.25	4.50	6.75	12	21.25	16.50	18.75
05	10.75	6.00	8.25	13	22.75	18.00	20.25
06	12.25	7.50	9.75	14	24.25	19.50	21.75
07	13.75	9.00	11.25	15	25.75	21.00	23.25
08	15.25	10.50	12.75	16	27.25	22.50	24.75
09	16.75	12.00	14.25				

					GENERAL TOLERANCE .X ±0.50 .XX ±0.30 .XXX ±0.15 X.° ±0.2°				东莞市思量连接器有限公司 DONGGUAN ADZL CONNECTORS CO.,LTD.				PART NO. 1551WRS-XX-9TSNR TITLE 1.5 mm Pitch Connectors							
					APPROVAL Ken				CHECK Zhao Hong				DRAWN Allen				DATE 2019/10/10			
DATE	REV	ECN NO .	DESCRIPTION	MODIFY	APPROVAL	PROJECT				UNIT	SCALE	SHEET	REV	NUMBER						
1										mm	1:1	1/2								

RoHS

WWW.ADZLCONN.COM

TEL:0769-82285488

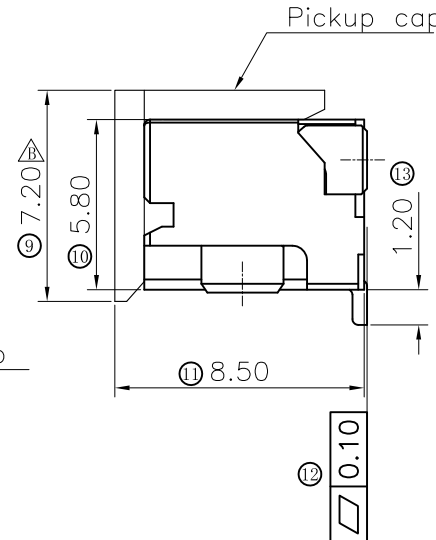
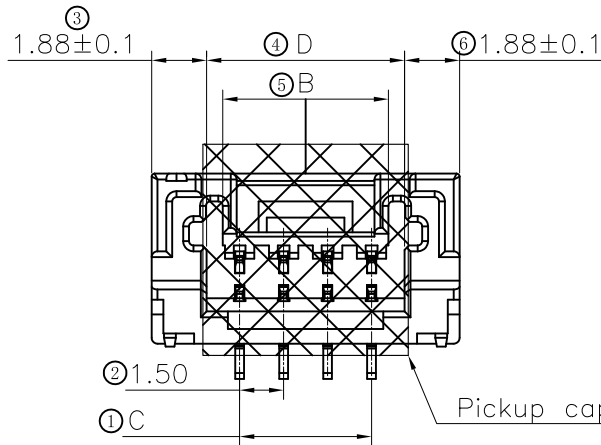


Specifications :

- Voltage rating: 125V AC / DC
- Current rating: 2A AC / DC
- Withstanding voltage: 800V AC/minute
- Temperature range: -40°C~+105°C
- Insulation resistance: ≥500MΩ
- Contact resistance: ≤20mΩ
- After environmental testing: ≤40mΩ
- Material(Pin): Phosphor bronze
- Mates With ADZL Housing: 1551H

1551 W V S-XX XX - 9T SN XX R
 ① ② ③ ④ ⑤ ⑥ ⑦ ⑧ ⑨ ⑩

- ① Series No.
- ② Category: W-WAFER
- ③ Welding Board Angle: V-Right Angle 180°
- ④ Welding Way: S-SMT
- ⑤ Row No.-Pin No.: XX-02P~05P
- ⑥ Plug the Pin & Special No.:
- ⑦ Material: 9T -PA9T UL 94V-0
- ⑧ Plating Category: SN-Bright Tin Plating
- ⑨ Color : Blank-Natural Color
- ⑩ Packag: R-Reel



Poles	Dimensions (mm)			
	A±0.2	B±0.2	C±0.2	D±0.2
02	6.25	2.65	1.50	3.75
03	7.75	4.15	3.00	5.25
04	9.25	5.65	4.50	6.75
05	10.75	7.15	6.00	8.25
06	12.25	8.65	7.50	9.75
07	13.75	10.15	9.00	11.25
08	15.25	11.65	10.50	12.75
09	16.75	13.15	12.00	14.25
10	18.25	14.65	13.50	15.75
11	19.75	16.15	15.00	17.25
12	21.25	17.65	16.50	18.75
13	22.75	19.15	18.00	20.25
14	24.25	20.65	19.50	21.75
15	25.75	22.15	21.00	23.25
16	27.25	23.65	22.50	24.75

DATE	REV	ECN NO.	DESCRIPTION	MODIFY	APPROVAL
1					
2					
3					
4					
5					

GENERAL TOLERANCE
 .X ±0.35
 .XX ±0.25
 .XXX ±0.15
 X.° ±2°

PROJECT

APPROVAL: Ken
 CHECK: Zhao Hong
 DRAWN: Allen
 DATE: 2019/10/10

ADZL 东莞市思量连接器有限公司
 DONGGUAN ADZL CONNECTORS CO.,LTD.

PART NO. 1551WVS-XX-9TSNR

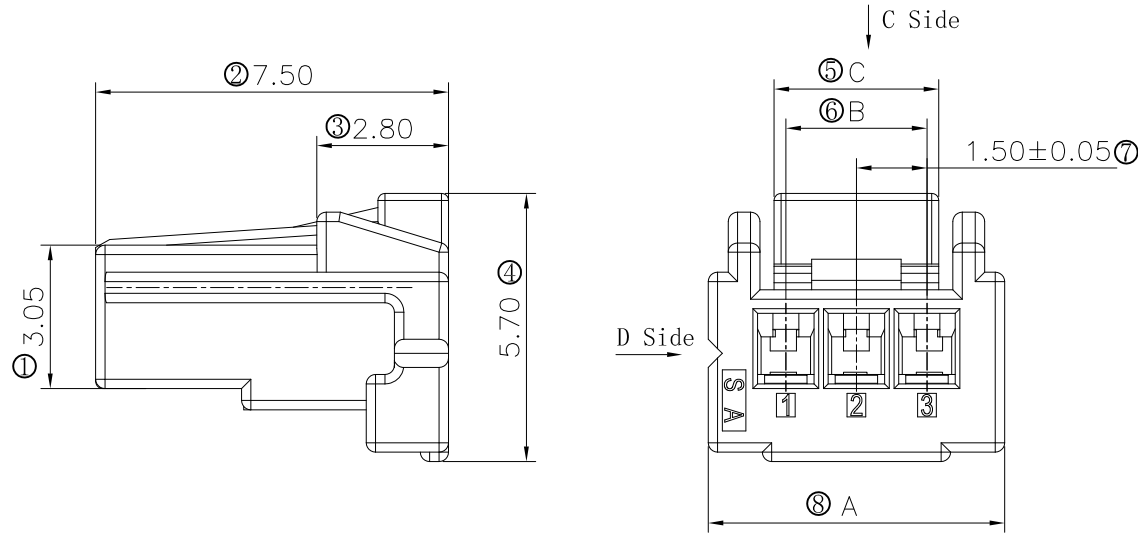
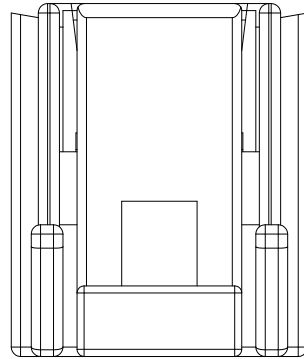
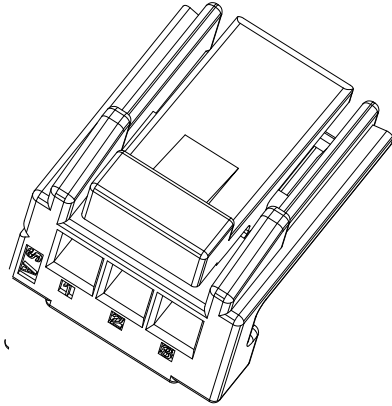
TITLE 1.5 mm Pitch Connectors

UNIT	SCALE	SHEET	REV	NUMBER
mm	4:1	1/2		

RoHS

WWW.ADZLCONN.COM

TEL:0769-82285488



■ Specifications :

- Voltage rating: 125V AC / DC
- Current rating: 2A AC / DC
- Withstanding voltage: 800V AC/minute
- Temperature range: -40°C~+105°C
- Insulation resistance:≥500MΩ
- Contact resistance: ≤20mΩ
- After environmental testing: ≤40mΩ
- Material(Pin): Phosphor Bronze(1506T)
- Mates With ADZL Wafer: 1551WRS、1551WVS

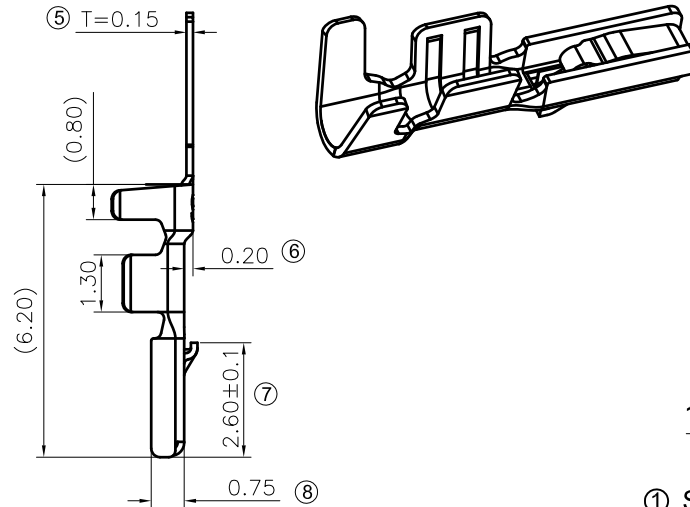
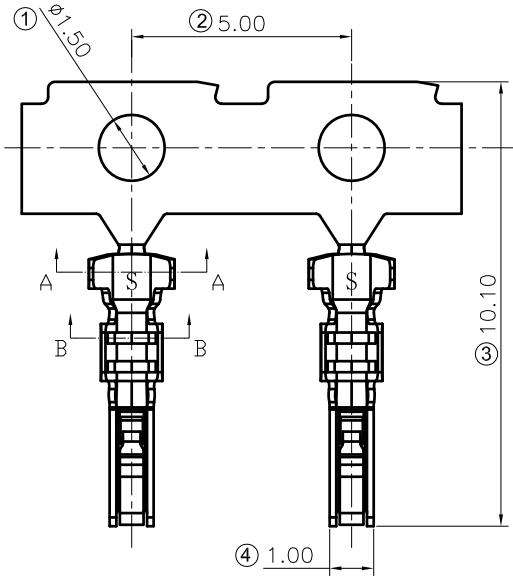
1551 H X-XX X-PT XX XX
 ① ② ③ ④ ⑤ ⑥ ⑦ ⑧

- ① Series No.
- ② Category: H-HSG
- ③ Appearance type: M-Male
- ④ Row No.-Pin No.: XX-Single Row
- ⑤ Plug the Pin & Special No.:
- ⑥ Material : PT-PBT 94V-0
- ⑦ Color: Blank-White Color
- ⑧ HF-Halogen Free

Poles	Dimensions(mm)			Poles	Dimensions(mm)			Poles	Dimensions(mm)		
	A	B	C		A	B	C		A	B	C
02	5.00	1.50	2.70	07	12.30	9.00	7.50	12	19.80	16.50	9.80
03	6.30	3.00	3.50	08	13.80	10.50	9.80	13	21.30	18.00	11.30
04	7.80	4.50	4.50	09	15.30	12.00	9.80	14	22.80	19.50	11.30
05	9.30	6.00	4.50	10	16.80	13.50	9.80	15	24.30	21.00	11.30
06	10.80	7.50	7.50	11	18.30	15.00	9.80	16	25.80	22.50	11.30

					GENERAL TOLERANCE				PART NO. 1551H-XX-PT					
					.X ±0.50				东莞市思量连接器有限公司 DONGGUAN ADZL CONNECTORS CO.,LTD.					
					.XX ±0.30									TITLE 1.5 mm Pitch Housing
										.XXX ±0.15				APPROVAL CHECK DRAWN DATE
										X.° ±0.2°				Ken Zhao Hong Allen 2019/10/10
										PROJECT				UNIT SCALE SHEET REV NUMBER
														mm 6:1 1/2
DATE	REV	ECN NO.	DESCRIPTION	MODIFY	APPROVAL									

1 2 3 4 5 6 7 8

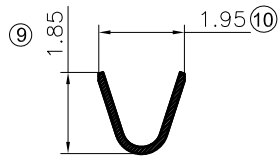
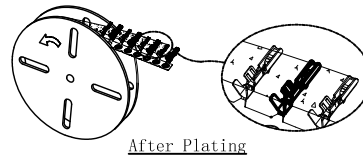


■ Specifications :

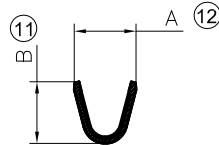
- Voltage rating: 125V AC / DC
- Current rating: 2A AC / DC
- Withstanding voltage: 800V AC/minute
- Temperature range: -40°C~+105°C
- Insulation resistance: ≥500MΩ
- Contact resistance: ≤20mΩ
- After environmental testing: ≤40mΩ
- Suitable SWB Housing: 1506HM
- Product Specification: PS-1506-01
- Mates With ADZL Wafer: 1551H

1551 T X- P XX X- X
 ① ② ③ ④ ⑤ ⑥ ⑦

- ① Series No.
- ② Category: T-Terminal
- ③ Appearance type: M-Male
- ④ Material: P-Phosphor bronze
- ⑤ Plating Style: SN-Bright Tin Plating
V01-Gold Flash Plated Contact
- ⑥ Plating Method :
Blank-Stamping before Plating
B1-Plating before stamping
- ⑦ Mold No./Mark/Special No.



SECTION A-A
SCALE 1:1



SECTION B-B
SCALE 1:1

1551T-PSN	Phosphor bronze	AWG#24~28 (0.08~0.22mm²) OD=1.2Max.	Ni 40~120u"(1~3um)overall Top plating:Bright Sn 80~200u"(2~5um)overall	1.40	1.45
1551T-PV01			Ni 40~120u"(1~3um)overall Top plating:Glod Flash overall		
P/N	Material	Wire Size	FINISH	DIM A	DIM B

					GENERAL TOLERANCE .X ±0.30 .XX ±0.20 .XXX ±0.10 X.° ±2°				PART NO. 1551T-PXX TITLE. 1.5 mm Pitch Crimp Terminal					
					APPROVAL Ken				CHECK Zhao Hong					
					DRAWN Allen				DATE 2019/10/10					
DATE	REV	ECN NO.	DESCRIPTION	MODIFY	APPROVAL	PROJECT	UNIT	SCALE	SHEET	REV	NUMBER			
1						ADZL	mm	6:1	1/1					

