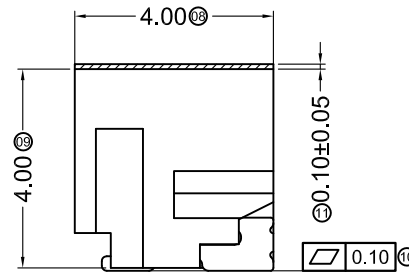
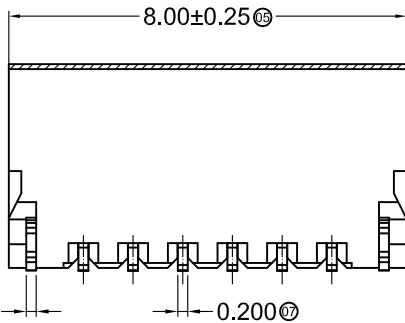


**Specifications :**

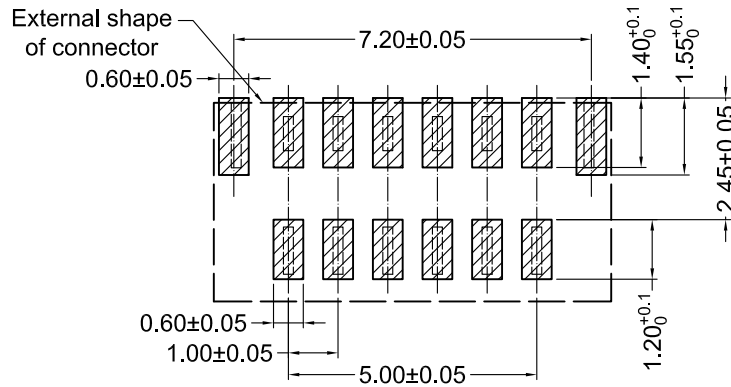
- Voltage rating: 125V AC / DC
- Current rating: 1A AC / DC
- Withstanding voltage: 500V AC/minute
- Temperature range: -25°C~+85°C
- Insulation resistance: ≥100MΩ
- Contact resistance: ≤20mΩ
- After environmental testing: ≤40mΩ



1002 W V S-06 DM-6T SW XX


① ② ③ ④ ⑤ ⑥ ⑦ ⑧ ⑨

- ① Series No.
- ② Category: W-wafer
- ③ Welding Board Angle: V-Stright Angle 180°
- ④ Welding Way: S-SMT
- ⑤ Row No.-Pin No.: 06-06P
- ⑥ Plug the Pin & Special NO: D-With Lock  
M-With Mylar
- ⑦ Material: 6T-PA6T UL 94V-0;
- ⑧ Planting Category:  
SN-Bright tin plating 70u"Min. ;30u" Ni Min.  
SW- Matte Tin plating 70u"Min. ;30u" Ni Min.
- ⑨ Color: Blank-Natural color



Recommended P.C.B Layout  
General Tolerance±0.05

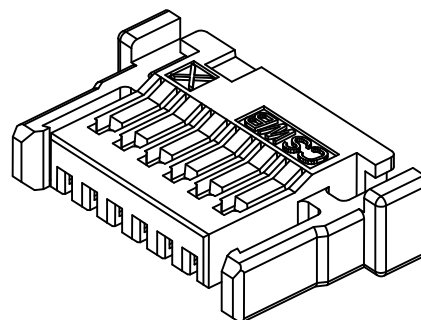
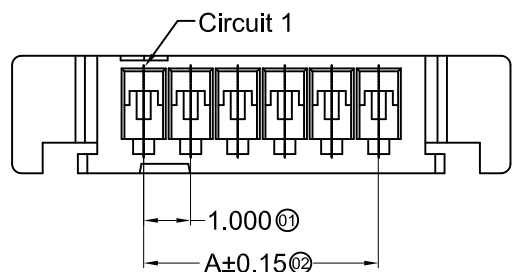
1002WVS-06DM-6TSW	PA 6T UL 94V-0	Phorphos Brone	Matte Tin-Plated	1002H-D
PART NO	Material (Wafer And Cap)	Material (Pin And Solder Tabs)	Finish (Pin And Solder Tabs)	Mates With ADZL Housing

								GENERAL TOLERANCE	 <b>东莞市思量连接器有限公司</b> DONGGUAN ADZL CONNECTORS CO.,LTD.	PART NO. 1002WVS-06DM-6TSW					
								.X ±0.30		TITLE 1.00mm Crimp Style Connectors					
								.XX ±0.20		APPROVAL	CHECK	DRAWN	DATA		
								.XXX ±0.10		Ken	Zhao Hong	Allen	2016/03/22		
DATE	OLD REV	NEW REV	ECN	DESCRIPTION	CHECK	APPROVAL	PROJECT					UNIT	SCALE	NUMBER	REV



Ken Zhao Hong Allen 2016/03/22

UNIT MM SCALE 1:1 NUMBER 8 REV



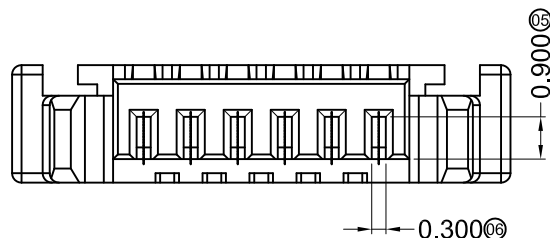
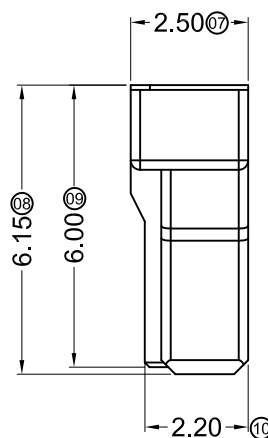
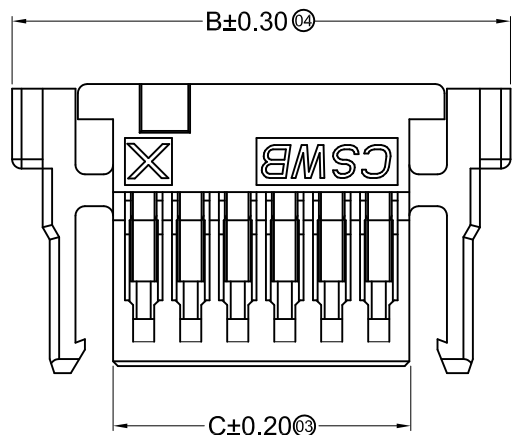
**Specifications :**

- Voltage rating: 125V AC / DC
- Current rating: 1A AC / DC
- Withstanding voltage: 500V AC/minute
- Temperature range: -25°C~+85°C
- Insulation resistance: ≥100MΩ
- Contact resistance: ≤20mΩ
- After environmental testing: ≤40mΩ

1002 H -XX D -N0 XX HF

(01) (02) (03) (04) (05) (06) (07)

- (01) Series No.
- (02) Category: H-HSG
- (03) Row No.-Pin No.: XX-02P~20P
- (04) Plug the Pin & special No.  
D-Ultra-thin buckles on both sides
- (05) Material: N0-PA66 94V-0
- (06) Color: Blank-natural color
- (07) HF-Halogen Free



Poles	Dimensions(mm)			Poles	Dimensions(mm)		
	A	B	C		A	B	C
02	1.00	6.60	2.30	12	11.00	16.60	12.30
03	2.00	7.60	3.30	13	12.00	17.60	13.30
04	3.00	8.60	4.30	14	13.00	18.60	14.30
05	4.00	9.60	5.30	15	14.00	19.60	15.30
06	5.00	10.60	6.30	16	15.00	20.60	16.30
07	6.00	11.60	7.30	17	16.00	21.60	17.30
08	7.00	12.60	8.30	18	17.00	22.60	18.30
09	8.00	13.60	9.30	19	18.00	23.60	19.30
10	9.00	14.60	10.30	20	19.00	24.60	20.30
11	10.00	15.60	11.30				

1002H-XXD-N0HF	PA66 UL 94V-0 Halogen Free	1002T-D	1002W-D
1002H-XXD-N0	PA66 UL 94V-0		
PART NO	Material	Suitable ADZL Terminal	Mates ADZL Wafer

GENERAL TOLERANCE  
.X ±0.30  
.XX ±0.20  
.XXX ±0.10

 东莞市思量连接器有限公司  
DONGGUAN ADZL CONNECTORS CO.,LTD.

PART NO. 1002H-XXD-N0HF

TITLE 1.00 mm Crimp Style Connectors

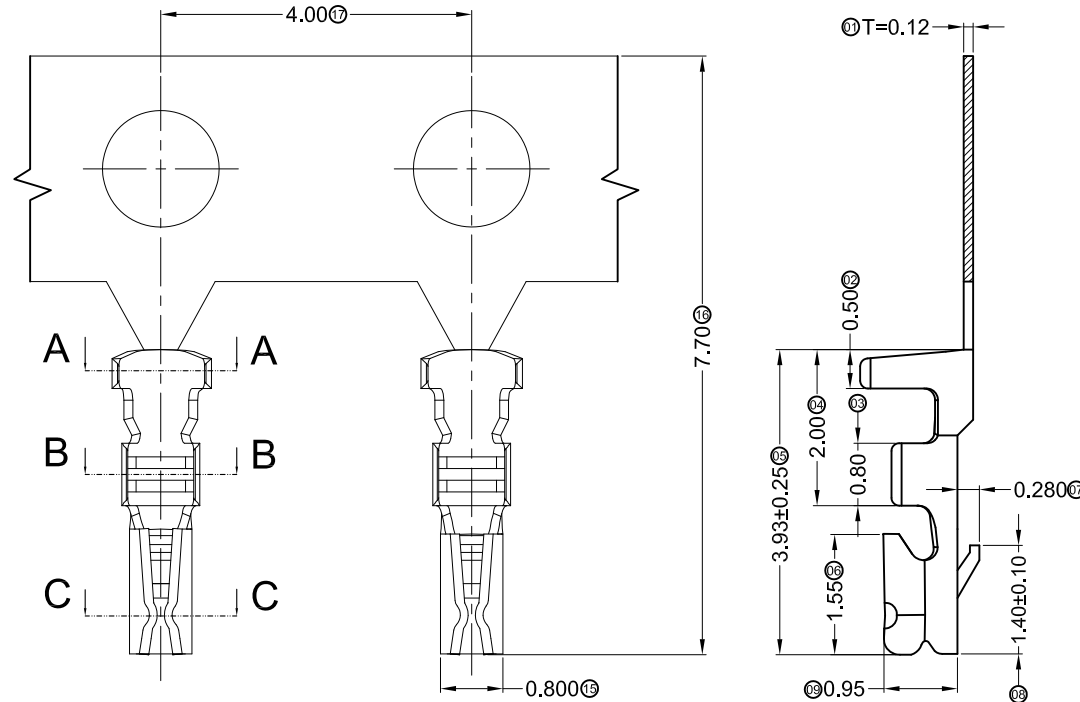
APPROVAL CHECK DRAWN DATA

Ken Zhao Hong Allen 2022/07/21

UNIT SCALE NUMBER REV  
MM 1:1 8

DATE OLD REV NEW REV ECN DESCRIPTION CHECK APPROVAL PROJECT

1 2 3 4 5 6 7 8

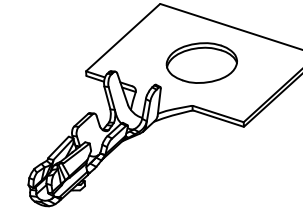
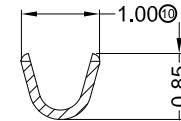
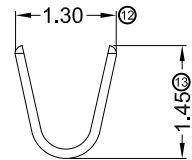
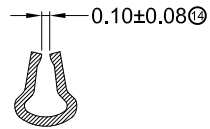


■ Specifications :

- Voltage rating: 125V AC / DC
- Current rating: 1A AC / DC
- Withstanding voltage: 500V AC/minute
- Temperature range: -25°C~+85°C
- Insulation resistance: ≥100MΩ
- Contact resistance: ≤20mΩ
- After environmental testing: ≤40mΩ

1002 T X-P XX X-D X

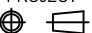
- ① ② ③ ④ ⑤ ⑥ ⑦ ⑧
- ① Series Number
  - ② Category: T-terminal
  - ③ Shape: Blank-ordinary
  - ④ Material: P-Phosphor bronze
  - ⑤ Plating style:  
V01- All Gold Flash ; V03- All Gold-Plated 3u"  
SN2 - 50u" Ni Min, 120u" Tin Min  
SN - 30u" Ni Min, 70u" Tin Min
  - ⑥ Plating method: Blank-Stamping before plating ;
  - ⑦ D-Mating Ultra-thin buckles on both sides Wafer



1002T-PV01-D	Phosphor Bronze	AWG#28-32	0.80mm Max	Stamping Before Patting:30u" Ni/Whole Gold;Gold Flash	1002H-D
1002T-PSN-D	Phosphor Bronze	AWG#28-32	0.80mm Max	Stamping Before Patting:30u" Ni;70u"Sn(Min.)	
PART NO	Material	Wire Range	Insulation O.D.	Finish	Used In ADZL Housing

DATE	OLD REV	NEW REV	ECN	DESCRIPTION	CHECK	APPROVAL	PROJECT		

GENERAL TOLERANCE  
 .X ±0.30  
 .XX ±0.20  
 .XXX ±0.10

PROJECT  


 东莞市思量连接器有限公司  
 DONGGUAN ADZL CONNECTORS CO.,LTD.

APPROVAL	CHECK	DRAWN	DATA
Ken	Zhao Hong	Allen	2022/07/22

PART NO. 1002T-PXX-DX			
TITLE 1.00 mm Crimp Style Connectors			
UNIT MM	SCALE 1 : 1	NUMBER 8	REV