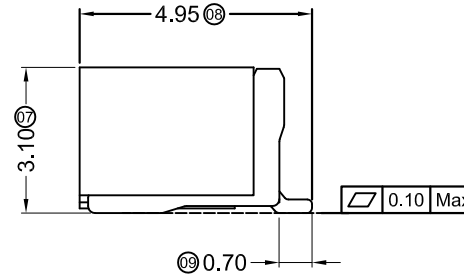
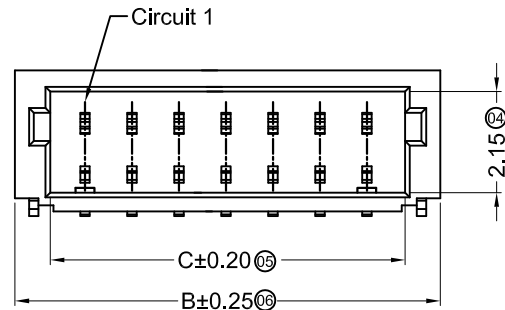


**Specifications :**

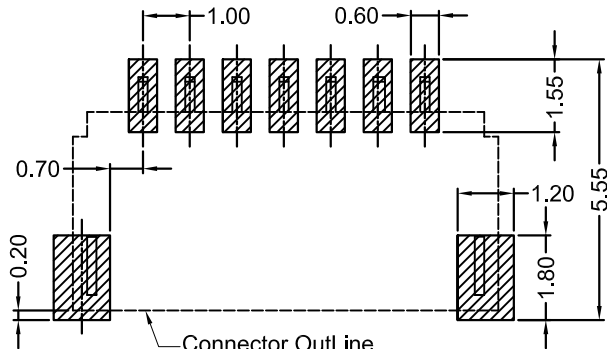
- Voltage rating: 50V AC / DC
- Current rating: 1A AC / DC
- Withstanding voltage: 500V AC/minute
- Temperature range: -25°C~+85°C
- Insulation resistance: ≥100MΩ
- Contact resistance: ≤20mΩ
- After environmental testing: ≤40mΩ
- Mates With ADZL Housing: 1002H-XXX-NO



1002 W R S-XX E-XX XX XX

① ② ③ ④ ⑤ ⑥ ⑦ ⑧ ⑨

- ① Series No.
- ② Category: W-wafer
- ③ Welding Board Angle: R-90°
- ④ Welding Way: S-SMT
- ⑤ Row No.-Pin No.: XX-02P~20P
- ⑥ Plug the Pin & Special No.: E-Ear clip
- ⑦ Material: LP-LCP 94V-0 9T-PA9T 94V-0
- ⑧ Planting Category:  
V\*\*:All Gold-Plated \*01-Gold Flash  
SW-Fog Tin plating
- ⑨ Color: Blank-natural color  
BK-Black



Recommended P.C.B Layout  
General Tolerance±0.05

Poles	Dimensions(mm)			Poles	Dimensions(mm)		
	A	B	C		A	B	C
02	1.00	4.00	2.50	10	9.00	12.00	10.50
03	2.00	5.00	3.50	11	10.00	13.00	11.50
04	3.00	6.00	4.50	12	11.00	14.00	12.50
05	4.00	7.00	5.50	13	12.00	15.00	13.50
06	5.00	8.00	6.50	14	13.00	16.00	14.50
07	6.00	9.00	7.50	15	14.00	17.00	15.50
08	7.00	10.00	8.50	16	15.00	18.00	16.50
09	8.00	11.00	9.50	20	19.00	22.00	20.50

GENERAL TOLERANCE	
.X	±0.30
.XX	±0.20
.XXX	±0.10

 东莞市思量连接器有限公司  
DONGGUAN ADZL CONNECTORS CO.,LTD.

PART NO. 1002WRS-XXE-XXXXXX

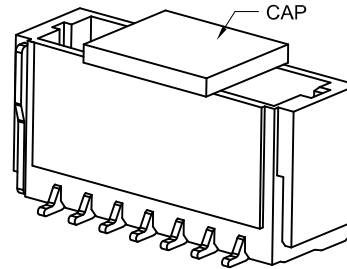
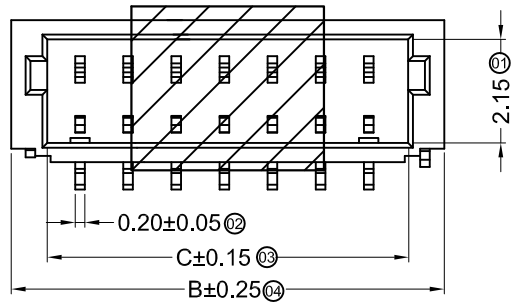
TITLE 1.00 mm Crimp Style Connectors

APPROVAL CHECK DRAWN DATE

Ken Zhao Hong Allen 2022/12/23

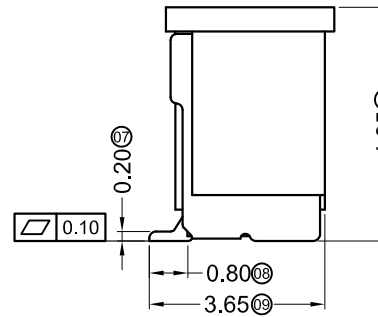
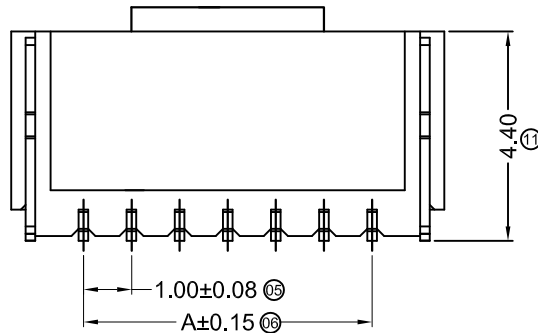
UNIT	SCALE	NUMBER	REV
MM	1:1	8	D

DATE	OLD REV	NEW REV	ECN	DESCRIPTION	CHECK	APPROVAL	PROJECT
1							
2							
3							
4							



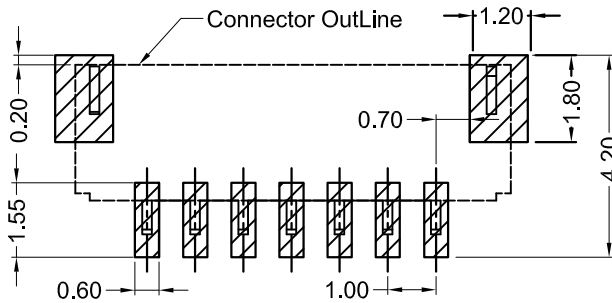
**Specifications :**

- Voltage rating: 50V AC / DC
- Current rating: 1A AC / DC
- Withstanding voltage: 500V AC/minute
- Temperature range: -25°C~+85°C
- Insulation resistance: ≥100MΩ
- Contact resistance: ≤20mΩ
- After environmental testing: ≤40mΩ
- Mates With ADZL Housing: 1002H-XXX-N0



1002 W V S-XX E-XX XX XX  
 ① ② ③ ④ ⑤ ⑥ ⑦ ⑧ ⑨

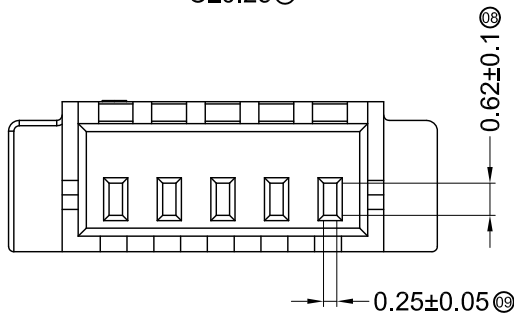
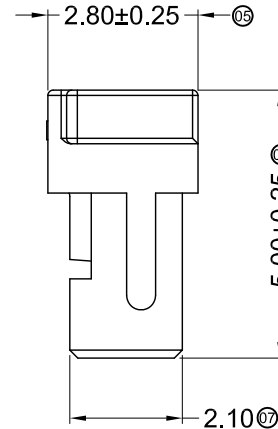
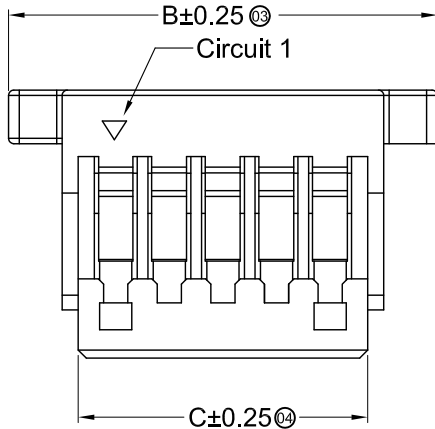
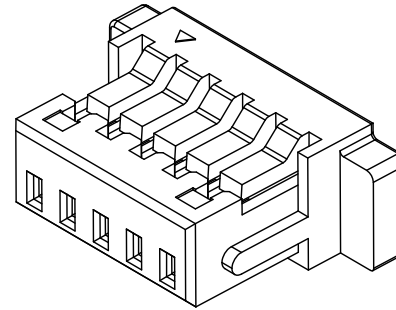
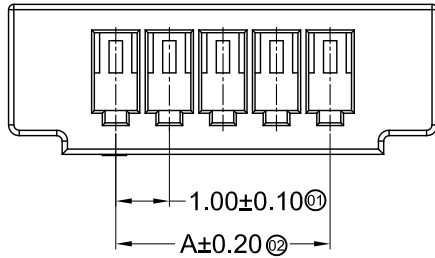
- ① Series No.
- ② Category: W-wafer
- ③ Welding Board Angle: V-180°
- ④ Welding Way: S-SMT
- ⑤ Row No.-Pin No.: XX-02P~20P
- ⑥ Plug the Pin & Special NO.: E-Ear clip
- ⑦ Material: LP-LCP 94V-0 9T-PA9T 94V-0
- ⑧ Planting Category: V\*\*:  
 All Gold-Plated \*01-Gold Flash  
 SW-Matte Tin plating
- ⑨ Color: Blank-Natural color



Recommended P.C.B Layout  
 General Tolerance±0.05

Poles	Dimensions(mm)			Poles	Dimensions(mm)		
	A	B	C		A	B	C
02	1.00	4.00	2.50	11	10.00	13.00	11.50
03	2.00	5.00	3.50	12	11.00	14.00	12.50
04	3.00	6.00	4.50	13	12.00	15.00	13.50
05	4.00	7.00	5.50	14	13.00	16.00	14.50
06	5.00	8.00	6.50	15	14.00	17.00	15.50
07	6.00	9.00	7.50	16	15.00	18.00	16.50
08	7.00	10.00	8.50	18	17.00	20.00	18.50
09	8.00	11.00	9.50	20	19.00	22.00	20.50
10	9.00	12.00	10.50				

							GENERAL TOLERANCE		PART NO. 1002WVS-XXE-XXXXX							
							.X ±0.30		TITLE 1.00mm Crimp Style Connectors							
							.XX ±0.20		APPROVAL		CHECK		DRAWN		DATE	
							.XXX ±0.10		Ken		Zhao Hong		Allen		2022/12/23	
DATE	OLD REV	NEW REV	ECN	DESCRIPTION	CHECK	APPROVAL	PROJECT	UNIT	SCALE	NUMBER	REV					
								MM	1:1	8	D					



**Specifications :**

- Voltage rating: 50V AC / DC
- Current rating: 1A AC / DC
- Withstanding voltage: 500V AC/minute
- Temperature range: -25°C~+85°C
- Insulation resistance: ≥100MΩ
- Contact resistance: ≤20mΩ
- After environmental testing: ≤40mΩ

1002 H X-XX E-XX XX XX

① ② ③ ④ ⑤ ⑥ ⑦ ⑧

- ① Series No.
- ② Category: H-HSG
- ③ Welding Board Angle: Blank-ordinary
- ④ Row No.-Pin No.: XX-02P~24P
- ⑤ Plug the Pin & special No.: E-Have ears
- ⑥ Material: PT-PBT ; N0-PA66 94V-0
- ⑦ Color: Blank-natural color
- ⑧ HF- Halogen Free ; Blank- Halogen

Poles	Dimensions(mm)			Poles	Dimensions(mm)		
	A	B	C		A	B	C
02	1.00	5.00	2.40	13	12.00	16.00	13.40
03	2.00	6.00	3.40	14	13.00	17.00	14.40
04	3.00	7.00	4.40	15	14.00	18.00	15.40
05	4.00	8.00	5.40	16	15.00	19.00	16.40
06	5.00	9.00	6.40	17	16.00	20.00	17.40
07	6.00	10.00	7.40	18	17.00	21.00	18.40
08	7.00	11.00	8.40	19	18.00	22.00	19.40
09	8.00	12.00	9.40	20	19.00	23.00	20.40
10	9.00	13.00	10.40	22	21.00	25.00	22.40
11	10.00	14.00	11.40	24	23.00	27.00	24.40
12	11.00	15.00	12.40				

1002H-XXE-N0HF	PA66 UL 94V-0Halogen Free	1002T-PXXX	1002W-E
1002H-XXE-N0	PA66 UL 94V-0		
1002H-XXE-PT	PBT UL 94V-0		
PART NO	Material	Suitable ADZL Terminal	Mates With ADZL Wafer

DATE	OLD REV	NEW REV	ECN	DESCRIPTION	CHECK	APPROVAL	PROJECT	APPROVAL	CHECK	DRAWN	DATA	UNIT	SCALE	NUMBER	REV
							Ken		Zhao Hong	Allen	2018/08/31	MM	1:1	8	

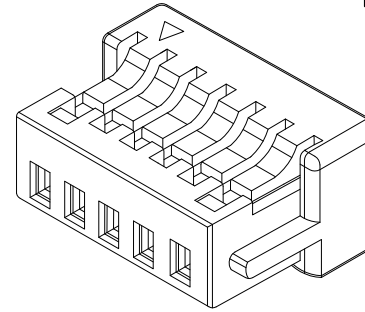
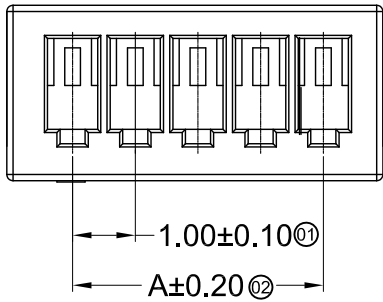
GENERAL TOLERANCE  
.X ±0.30  
.XX ±0.20  
.XXX ±0.10

 东莞市思量连接器有限公司  
DONGGUAN ADZL CONNECTORS CO.,LTD.

PART NO. 1002H-XXE-XXXX

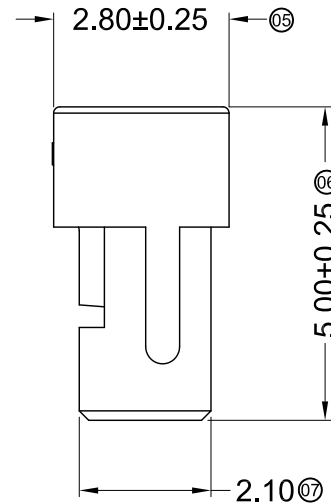
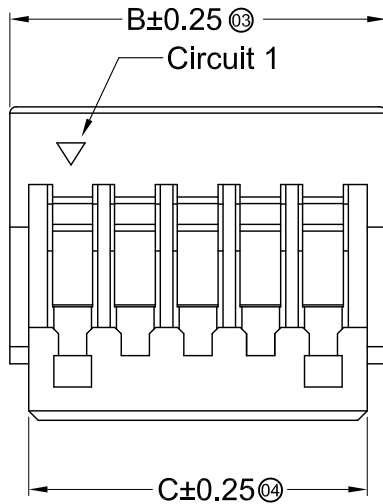
TITLE 1.00 mm Crimp Style Commcttors





■ Specifications :

- Voltage rating: 50V AC / DC
- Current rating: 1A AC / DC
- Withstanding voltage: 500V AC/minute
- Temperature range: -25°C~+85°C
- Insulation resistance: ≥100MΩ
- Contact resistance: ≤20mΩ
- After environmental testing: ≤40mΩ



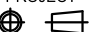
1002 H X-XX X-XX XX XX  
① ② ③ ④ ⑤ ⑥ ⑦ ⑧

- ① Series No.
- ② Category: H-HSG
- ③ Welding Board Angle: Blank-ordinary
- ④ Row No.-Pin No.: XX-02P~24P
- ⑤ Plug the Pin & special No.
- ⑥ Material: PT-PBT N0-PA66 94V-0
- ⑦ Color: Blank-natural color
- ⑧ HF-Halogen Free ; Blank- Halogen

Poles	Dimensions(mm)			Poles	Dimensions(mm)		
	A	B	C		A	B	C
02	1.00	3.00	2.40	13	12.00	14.00	13.40
03	2.00	4.00	3.40	14	13.00	15.00	14.40
04	3.00	5.00	4.40	15	14.00	16.00	15.40
05	4.00	6.00	5.40	16	15.00	17.00	16.40
06	5.00	7.00	6.40	17	16.00	18.00	17.40
07	6.00	8.00	7.40	18	17.00	19.00	18.40
08	7.00	9.00	8.40	19	18.00	20.00	19.40
09	8.00	10.00	9.40	20	19.00	21.00	20.40
10	9.00	11.00	10.40	22	21.00	23.00	22.40
11	10.00	12.00	11.40	24	23.00	25.00	24.40
12	11.00	13.00	12.40				

1002H-XX-N0HF	PA66 UL 94V-0 Halogen Free	1002T-PXXX	1002W-E
1002H-XX-N0	PA66 UL 94V-0		
1002H-XX-PT	PBT UL 94V-0		
PART NO	Material	Suitable ADZL Terminal	Mates With ADZL Wafer

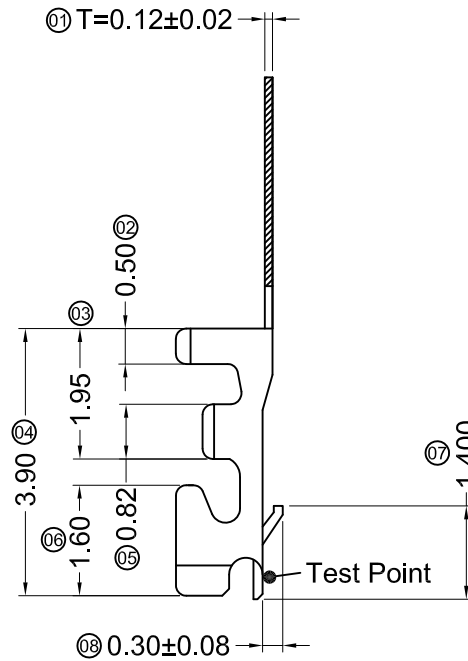
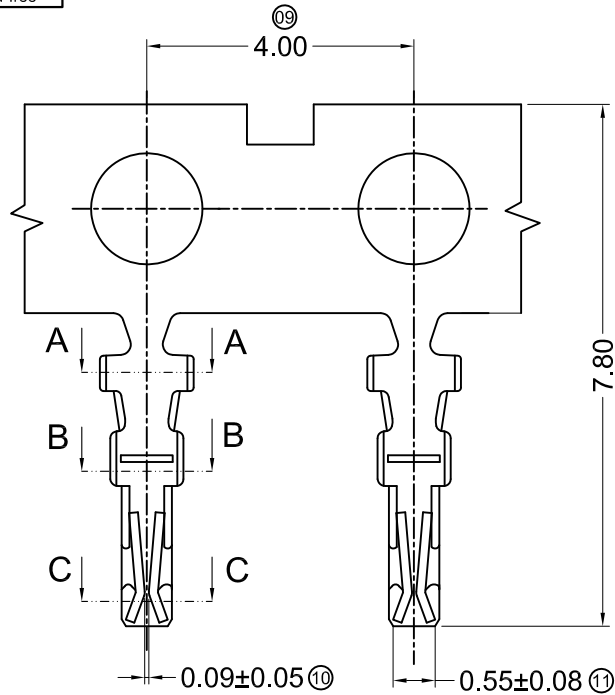
DATE	OLD REV	NEW REV	ECN	DESCRIPTION	CHECK	APPROVAL

GENERAL TOLERANCE	
.X	±0.30
.XX	±0.20
.XXX	±0.10
PROJECT	

 东莞市思量连接器有限公司  
DONGGUAN ADZL CONNECTORS CO.,LTD.

APPROVAL	CHECK	DRAWN	DATA
Ken	Zhao Hong	Allen	2014/08/31

PART NO. 1002H-XX-XXXX			
TITLE 1.00 mm Crimp Style Connectors			
UNIT MM	SCALE 1:1	NUMBER 8	REV



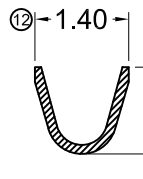
■ Specifications :

- Voltage rating: 50V AC / DC
- Current rating: 1A AC / DC
- Withstanding voltage: 500V AC/minute
- Temperature range: -25°C~+85°C
- Insulation resistance: ≥100MΩ
- Contact resistance: ≤20mΩ
- After environmental testing: ≤40mΩ

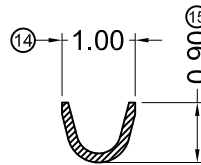
1002 T X-P XX X-01

① ② ③ ④ ⑤ ⑥ ⑦

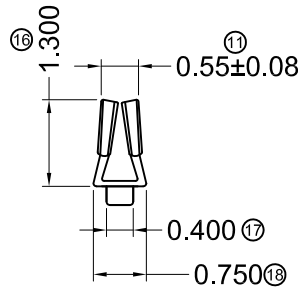
- ① Series Number
- ② Category: T-terminal
- ③ Shape: Blank-ordinary
- ④ Material: P-Phosphor bronze
- ⑤ Plating style:  
V\*\*-All Gold-Plated ; \*01-Gold Flash ; \*03-3u"
- ⑥ Plating method:  
Blank-Stamping before plating  
B-Plating before stamping
- ⑦ Numbering



SECTION A-A  
SCALE 1 : 1



SECTION B-B  
SCALE 1 : 1



SECTION C-C  
SCALE 1 : 1

1002T-PV03-01				Stamping Before Plating:30~50u" Ni/Whole Gold :3u" Min.	
1002T-PV01-01	Phosphor Bronze	AWG#28-32	0,80mm(Max)	Stamping Before Plating:30u" Ni/Whole Gold :Gold Flash	1002H
1002T-PSN-01				Stamping Before Plating:30u" Ni/70u"Sn	
PART NO	Material	Wire Range	Insulation O.D.	Finish	Used In ADZL Housing

GENERAL TOLERANCE

.X	±0.30
.XX	±0.20
.XXX	±0.10

 东莞市思量连接器有限公司  
DONGGUAN ADZL CONNECTORS CO.,LTD.

PART NO. 1002T-PXX-01

TITLE 1.00 mm Crimp Style Connectors

PROJECT 

APPROVAL	CHECK	DRAWN	DATA
Ken	Zhao Hong	Allen	2022/03/28

UNIT	SCALE	NUMBER	REV
MM	1 : 1	8	

DATE	OLD REV	NEW REV	ECN	DESCRIPTION	CHECK	APPROVAL