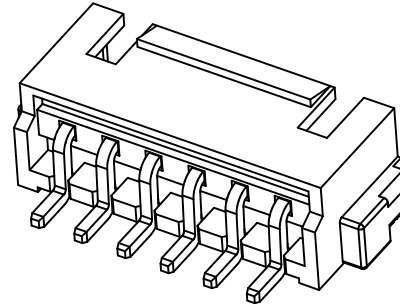
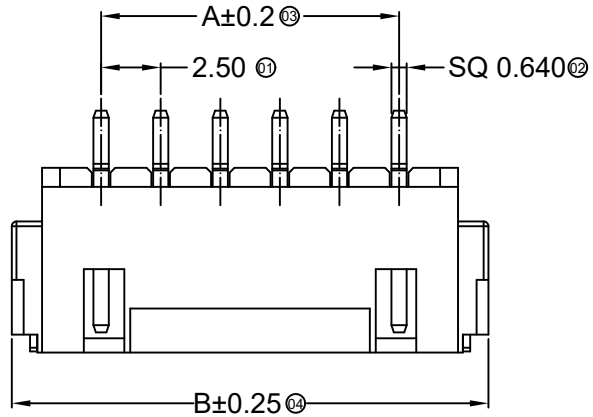


RoHS

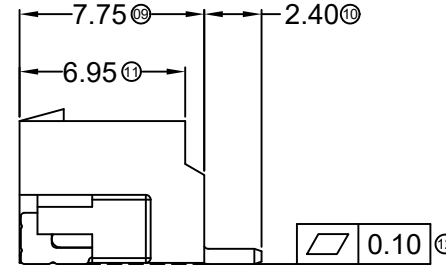
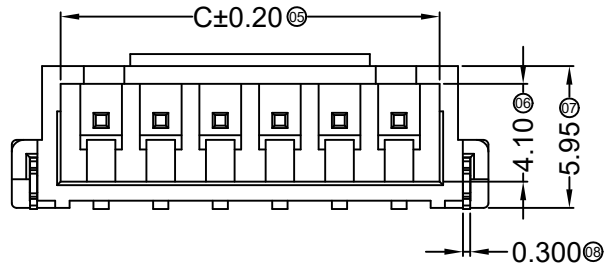
WWW.ADZLCONN.COM

TEL:0769-82285488



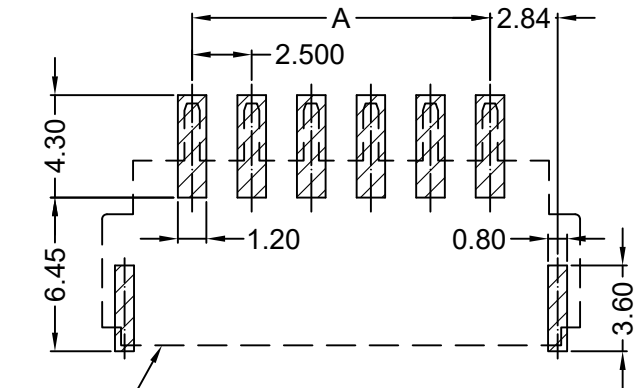
Specifications :

- Voltage rating: 250V AC / DC
- Current rating: 3A AC / DC
- Withstanding voltage: 1000V AC/minute
- Temperature range: -25°C~+85°C
- Insulation resistance: ≥500MΩ
- Contact resistance: ≤20mΩ
- After environmental testing: ≤30mΩ



8821 W R S-XX L-XX SN XX
① ② ③ ④ ⑤ ⑥ ⑦ ⑧ ⑨

- ① Series No.
- ② Category: W-WAFER
- ③ Welding Board Angle: R-Right Angle 90°
- ④ Welding Way: S-SMT
- ⑤ Row No.-Pin No.: XX-02P~15P
- ⑥ Plug the Pin & Special No.: L-With Lock
- ⑦ Material: 9T -PA9T UL 94V-0 ;LP-LCP UL94V-0
- ⑧ Plating Category: SN-Bright Tin Plating
- ⑨ Color : Blank-Natural Color



Conn.line Recommended P.C.B Layout
General Tolerance±0.05

Poles	Dimensions (mm)			Poles	Dimensions (mm)		
	A	B	C		A	B	C
02	2.50	10.00	5.90	09	20.00	27.50	23.40
03	5.00	12.50	8.40	10	22.50	30.00	25.90
04	7.50	15.00	10.90	11	25.00	32.50	28.40
05	10.00	17.50	13.40	12	27.50	35.00	30.90
06	12.50	20.00	15.90	13	30.00	37.50	33.40
07	15.00	22.50	18.40	14	32.50	40.00	35.90
08	17.50	25.00	20.90	15	35.00	42.50	38.40

8821WRS-XXL-LPSN	LCP UL 94V-0	Brass	Tin-Plated	8821H-L
8821WRS-XXL-9TSN	PA 9T UL 94V-0			
PART NO	Material	Material(Pin And Solder Tabs)	Finish(Pin And Solder Tabs)	Mates With ADZL Housing

DATE	OLD REV	NEW REV	ECN	DESCRIPTION	CHECK	APPROVAL

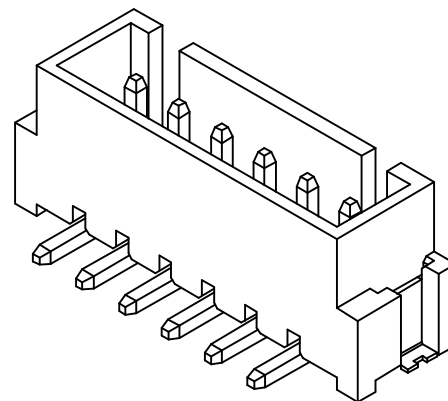
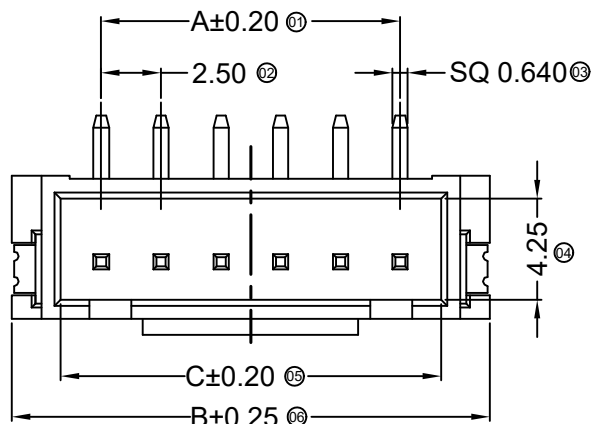
GENERAL TOLERANCE
.X ±0.30
.XX ±0.20
.XXX ±0.10



ADZL 东莞市思量连接器有限公司
DONGGUAN ADZL CONNECTORS CO.,LTD.

APPROVAL	CHECK	DRAWN	DATA
Ken	Zhao Hong	Allen	2017/11/07

PART NO. 8821WRS-XXL-XXSN			
TITLE 2.50mm Crimp Style Connector			
UNIT MM	SCALE 1:1	NUMBER	REV

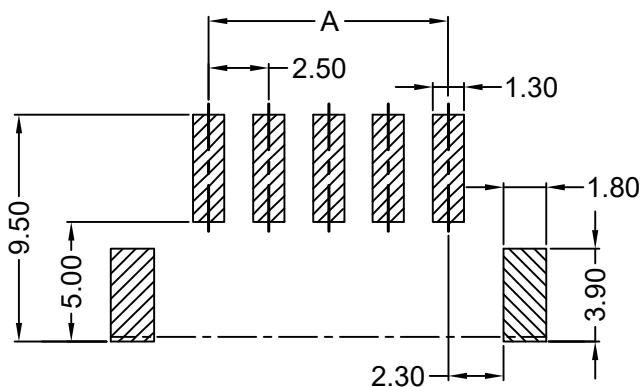
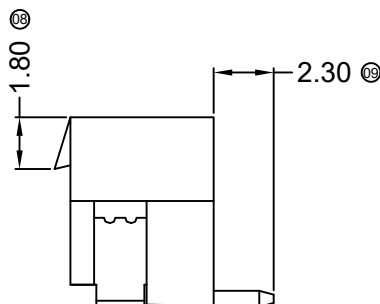
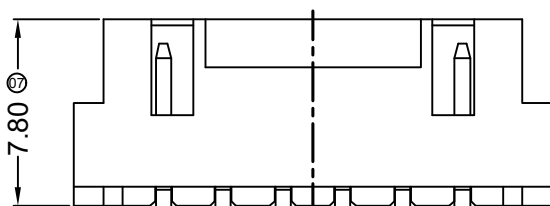


■ Specifications :

- Voltage rating: 250V AC / DC
- Current rating: 2A AC / DC
- Withstanding voltage: 1000V AC/minute
- Temperature range: -25°C~+85°C
- Insulation resistance: ≥500MΩ
- Contact resistance: ≤20mΩ
- After environmental testing: ≤30mΩ

8821 W V S-XX L- LP SN XX
① ② ③ ④ ⑤ ⑥ ⑦ ⑧ ⑨

- ① Series No.
- ② Category: W-WAFER
- ③ Welding Board Angle: V-180°
- ④ Welding Way: S-SMT
- ⑤ Row No.-Pin No.: XX-02P~16P
- ⑥ Plug the Pin & Special No.: L-With Lock
- ⑦ Material: LP -LCP UL 94V-0
- ⑧ Plating Category: SN-Bright Tin Plating
- ⑨ Color : Blank-Natural Color



Recommended P.C.B Layout
General Tolerance±0.05

Poles	Dimensions (mm)			Poles	Dimensions (mm)		
	A	B	C		A	B	C
02	2.50	10.00	5.90	10	22.50	30.00	25.90
03	5.00	12.50	8.40	11	25.00	32.50	28.40
04	7.50	15.00	10.90	12	27.50	35.00	30.90
05	10.00	17.50	13.40	13	30.00	37.50	33.40
06	12.50	20.00	15.90	14	32.50	40.00	35.90
07	15.00	22.50	18.40	15	35.00	42.50	38.40
08	17.50	25.00	20.90	16	37.50	45.00	40.90
09	20.00	27.50	23.40				

8821WVS-XXL-LPSN	LCP UL 94V-0	Phosphor Bronze	Tin-Plated	8821H-L
PART NO	Material	Material(Pin And Solder Tabs)	Finish(Pin And Solder Tabs)	Mates With ADZL Housing

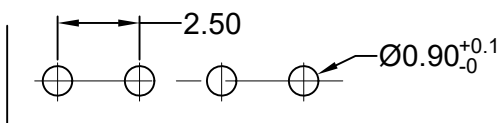
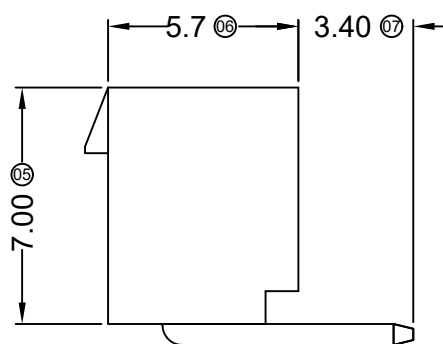
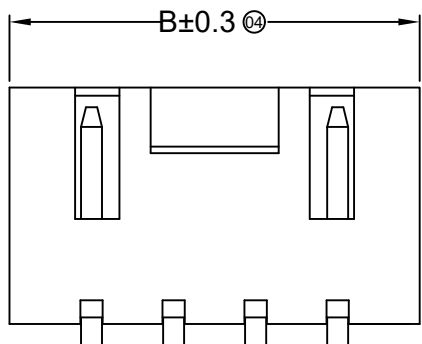
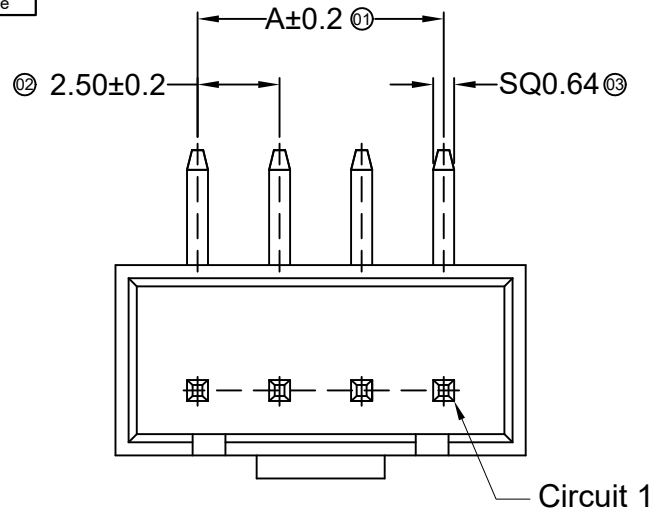
DATE	OLD REV	NEW REV	ECN	DESCRIPTION	CHECK	APPROVAL	PROJECT	

GENERAL TOLERANCE
.X ±0.30
.XX ±0.20
.XXX ±0.10

ADZL 东莞市思量连接器有限公司
DONGGUAN ADZL CONNECTORS CO.,LTD.

APPROVAL: Ken
CHECK: Zhao Hong
DRAWN: Allen
DATA: 2017/06/21

PART NO. 8821WVS-XXL-LPSN
TITLE 2.50mm Crimp Style Connector
UNIT MM SCALE 1:1 NUMBER REV



Recommended P.C.B Layout
General Tolerance±0.05

■ Specifications :

- Voltage rating: 500V AC / DC
- Current rating: 3A AC / DC
- Withstanding voltage: 1000V AC/minute
- Temperature range: -25°C~+85°C
- Insulation resistance: ≥500MΩ
- Contact resistance: ≤20mΩ
- After environmental testing: ≤30mΩ



8821 W R X-XX L -N0 SN XX
① ② ③ ④ ⑤ ⑥ ⑦ ⑧ ⑨

- ① Series No.
- ② Category: W-WAFER
- ③ Welding Board Angle: R-Right Angle 90°;
- ④ Welding Way: Blank-DIP
- ⑤ Row No.-Pin No.: XX-Single Row ;
- ⑥ Plug the Pin & Special No.: L-With Lock
- ⑦ Material: N0 -PA66 94V-0
- ⑧ Plating Category: SN-Bright Tin Plating
- ⑨ Color : Blank-Natural Color

Poles	Dimensions(mm)		Poles	Dimensions(mm)	
	A	B		A	B
02	2.50	7.40	10	22.50	27.40
03	5.00	9.90	11	25.00	29.90
04	7.50	12.40	12	27.50	32.40
05	10.00	14.90	13	30.00	34.90
06	12.50	17.40	14	32.50	37.40
07	15.00	19.90	15	35.00	39.90
08	17.50	22.40	16	37.50	42.40
09	20.00	24.90			

8821WR-XXL-N0SN	Nylon 66 UL 94V-0	Brass	Tin-Plated	8821H-L
PART NO	Material	Material(Pin)	Finish(Pin)	Mates With ADZL Housing

DATE	OLD REV	NEW REV	ECN	DESCRIPTION	CHECK	APPROVAL

GENERAL TOLERANCE	
.X	±0.30
.XX	±0.20
.XXX	±0.10
PROJECT	
	

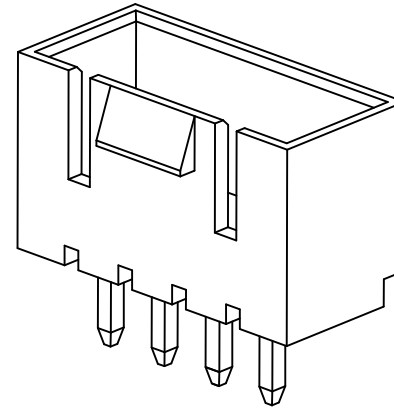
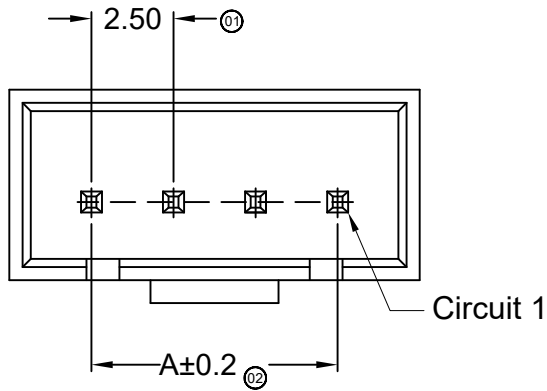
 东莞市思量连接器有限公司 DONGGUAN ADZL CONNECTORS CO.,LTD.			
APPROVAL	CHECK	DRAWN	DATA
Ken	Zhao Hong	Allen	2018/07/08

PART NO. 8821WR-XXL-N0SN			
TITLE 2.50mm Crimp Style Connector			
UNIT MM	SCALE 1:1	NUMBER	REV

RoHS

WWW.ADZLCONN.COM

TEL:0769-82285488

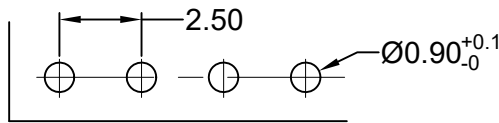
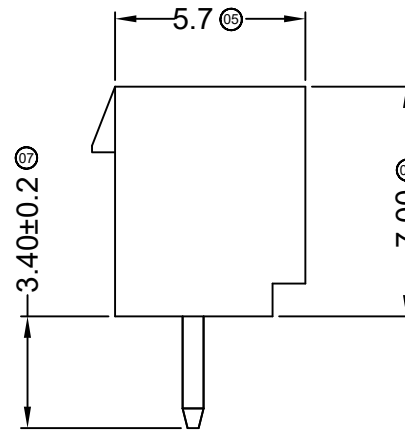
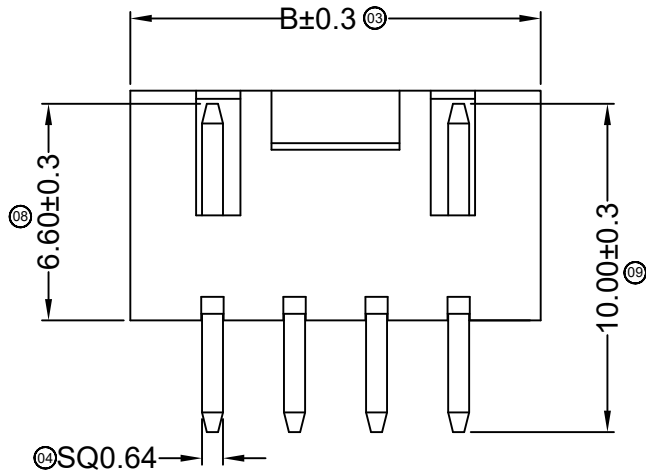


■ Specifications :

- Voltage rating: 500V AC / DC
- Current rating: 3A AC / DC
- Withstanding voltage: 1000V AC/minute
- Temperature range: -25°C~+85°C
- Insulation resistance: ≥500MΩ
- Contact resistance: ≤20mΩ
- After environmental testing: ≤30mΩ

8821 W V X-XX L -N0 SN XX
 ① ② ③ ④ ⑤ ⑥ ⑦ ⑧ ⑨

- ① Series No.
- ② Category: W-WAFER
- ③ Welding Board Angle: V-180° ;
- ④ Welding Way: Blank-DIP ; S-SMT
- ⑤ Row No.-Pin No.: XX-Single Row ;
- ⑥ Plug the Pin & Special No.: L-With Lock
- ⑦ Material: N0 -PA66 94V-0
- ⑧ Plating Category: SN-Bright Tin Plating
- ⑨ Color : Blank-Natural Color



Recommended P.C.B Layout
 General Tolerance±0.05

Poles	Dimensions(mm)		Poles	Dimensions(mm)	
	A	B		A	B
02	2.50	7.40	10	22.50	27.40
03	5.00	9.90	11	25.00	29.90
04	7.50	12.40	12	27.50	32.40
05	10.00	14.90	13	30.00	34.90
06	12.50	17.40	14	32.50	37.40
07	15.00	19.90	15	35.00	39.90
08	17.50	22.40	16	37.50	42.40
09	20.00	24.90			

8821WV-XXL-N0SN	Nylon 66 UL 94V-0	Brass	Tin-Plated	8821H-L
PART NO	Material	Material(Pin)	Finish(Pin)	Mates With ADZL Housing

DATE	OLD REV	NEW REV	ECN	DESCRIPTION	CHECK	APPROVAL

GENERAL TOLERANCE
 .X ±0.30
 .XX ±0.20
 .XXX ±0.10

ADZL 东莞市思量连接器有限公司
 DONGGUAN ADZL CONNECTORS CO.,LTD.

APPROVAL: Ken
 CHECK: Zhao Hong
 DRAWN: Allen
 DATA: 2024/09/24

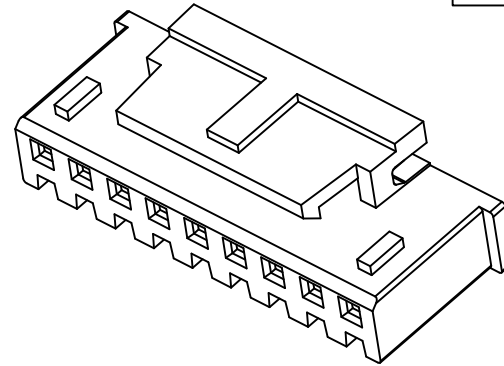
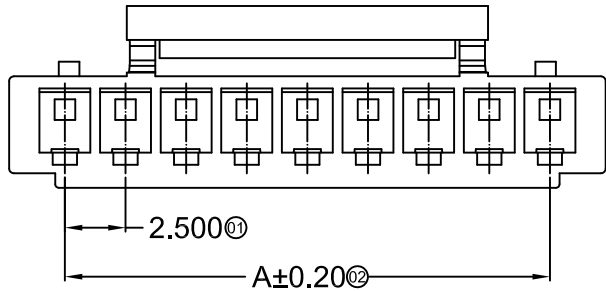
PART NO. 8821WV-XXL-N0SN			
TITLE 2.50mm Crimp Style Connector			
UNIT MM	SCALE 1:1	NUMBER	REV



RoHS

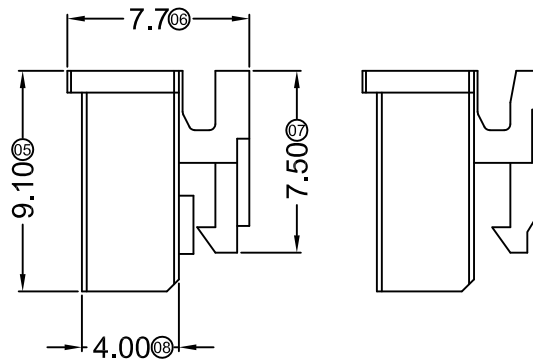
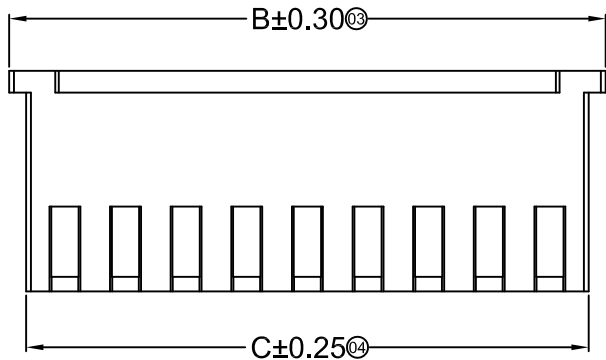
WWW.ADZLCONN.COM

TEL:0769-82285488



Specifications :

- Voltage rating: 500V AC / DC
- Current rating: 3A AC / DC
- Withstanding voltage: 1000V AC/minute
- Temperature range: -25°C~+85°C
- Insulation resistance: ≥500MΩ
- Contact resistance: ≤20mΩ
- After environmental testing: ≤30mΩ

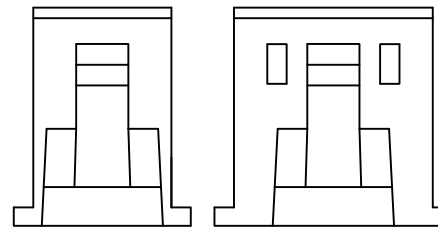
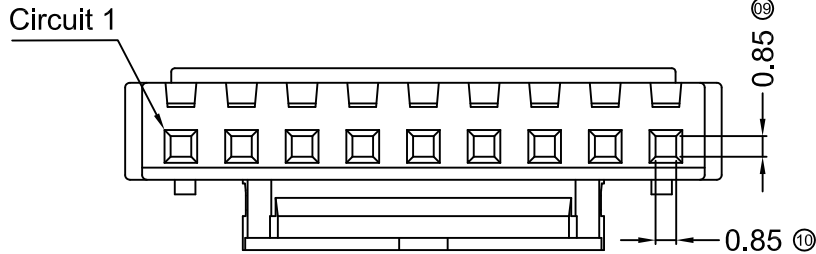


8821 H X L X-N0 XX
① ② ③ ④ ⑤ ⑥ ⑦

- ① Series No.
- ② Category: H-HSG
- ③ Appearance type: Blank-ordinary
- ④ Row No.-Pin No.: XX-Single Row
- ⑤ Plug the Pin & Special No. : L-With Lock
- ⑥ Material : N0-PA66 94V-0
- ⑦ Color: Blank : Natural Color

4P~15P Shape

2P~3P Shape



2-3P Shape

4-15P Shape

Poles	Dimensions(mm)			Poles	Dimensions(mm)		
	A	B	C		A	B	C
02	2.50	7.30	5.70	09	20.00	24.80	23.20
03	5.00	9.80	8.20	10	22.50	27.30	25.70
04	7.50	12.30	10.70	11	25.00	29.80	28.20
05	10.00	14.80	13.20	12	27.50	32.30	30.70
06	12.50	17.30	15.70	13	30.00	34.80	33.20
07	15.00	19.80	18.20	14	32.50	37.30	35.70
08	17.50	22.30	20.70	15	35.00	39.80	38.20

8821H-XXL-N0	Nylon 66 UL 94V-0	8821T	8821W-L
PART NO	Material	Suitable ADZL Terminal	Mates With ADZL Wafer

DATE	OLD REV	NEW REV	ECN	DESCRIPTION	CHECK	APPROVAL

GENERAL TOLERANCE
.X ±0.30
.XX ±0.20
.XXX ±0.10

ADZL 东莞市思量连接器有限公司
DONGGUAN ADZL CONNECTORS CO.,LTD.

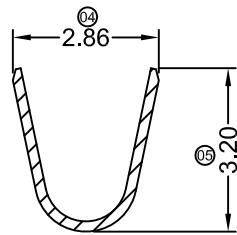
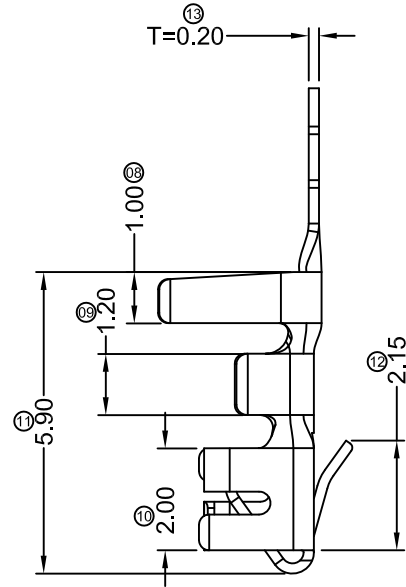
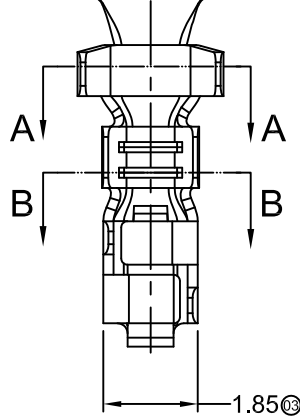
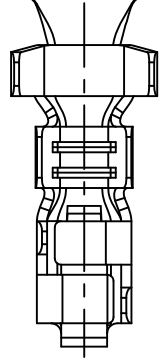
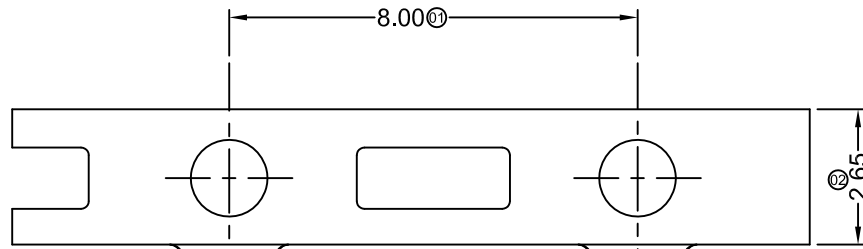
APPROVAL: Ken, CHECK: Zhao Hong, DRAWN: Allen, DATA: 2021/08/05

PART NO.		8821H-XXL-N0	
TITLE			
2.50mm Crimp Style Connector			
UNIT	SCALE	NUMBER	REV
MM	1:1	8	

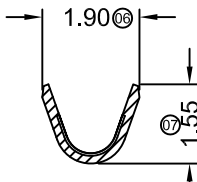
RoHS

WWW.ADZLCONN.COM

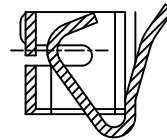
TEL:0769-82285488



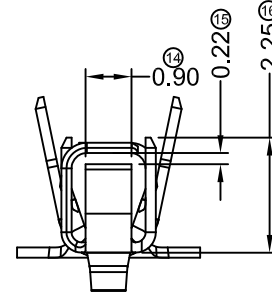
SECTION: A-A
SCALE: 1:1



SECTION: B-B
SCALE: 1:1



剖视图 B-B
SCALE: 1:1



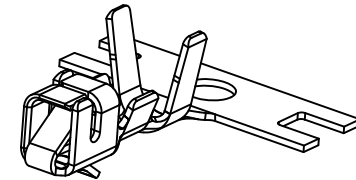
■ Specifications :

- Voltage rating: 250V AC / DC
- Current rating: 3A AC / DC
- Withstanding voltage: 1000V AC/minute
- Temperature range: -25°C~+85°C
- Insulation resistance: ≥1000MΩ
- Contact resistance: ≤10mΩ
- After environmental testing: ≤20mΩ

8821 T X-B SN X - 01

① ② ③ ④ ⑤ ⑥ ⑦

- ① Series Number
- ② Category: T-terminal
- ③ Shape: Blank-ordinary
- ④ Material: B-Brass P-Phosphor bronze
- ⑤ Plating style: SN-Bright tin plating
- ⑥ Plating method:
Blank-Stamping before plating
B-Plating before stamping
- ⑦ Mold No./Mark/Special No.



8821T-BSN-01	Brass	AWG#22-26	1.90mm(Max)	Stamping Before Plating;30u" Ni;70u"Sn	8821H
PART NO	Material	Wire Range	Insulation O.D.	Finish	Used In ADZL Housing

GENERAL TOLERANCE

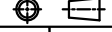
.X ±0.30
.XX ±0.20
.XXX ±0.10

ADZL 东莞市思量连接器有限公司
DONGGUAN ADZL CONNECTORS CO.,LTD.

PART NO. 8821T-BSN-01

TITLE 2.50mm Crimp Style Connectors

PROJECT



APPROVAL	CHECK	DRAWN	DATE
Ken	Zhao Hong	Allen	2024/07/16

UNIT	SCALE	NUMBER	REV
MM	1:1	8	E

DATE	OLD REV	NEW REV	ECN	DESCRIPTION	CHECK	APPROVAL
------	---------	---------	-----	-------------	-------	----------

1 2 3 4 5 6 7 8