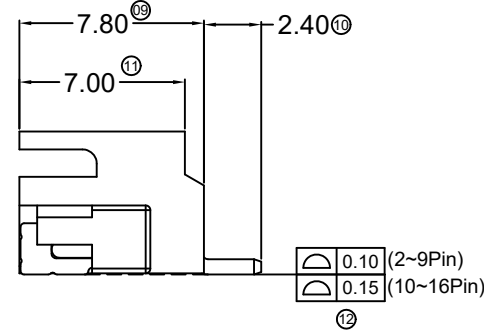
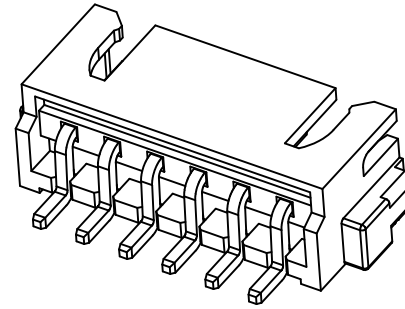
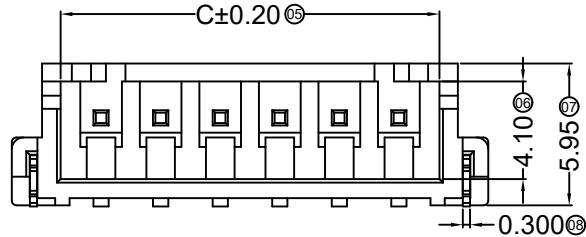


3P~16P Shape  
SCALE 1:1



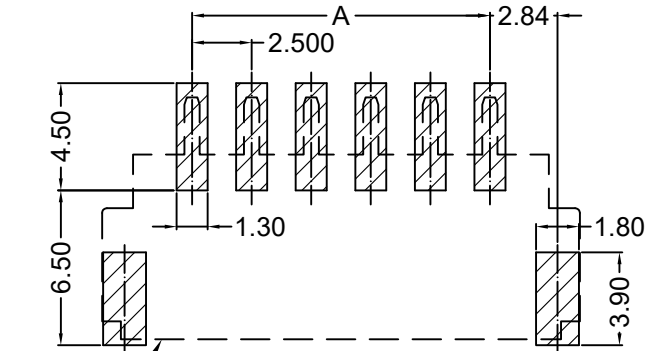
■ Specifications :

- Voltage rating: 250V AC / DC
- Current rating: 3A AC / DC
- Withstanding voltage: 1000V AC/minute
- Temperature range: -25°C~+85°C
- Insulation resistance: ≥1000MΩ
- Contact resistance: ≤10mΩ
- After environmental testing: ≤20mΩ

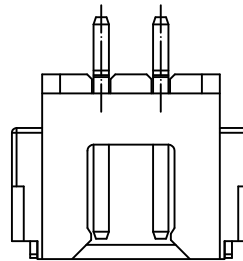
8821 W R S-XX X-LP XX XX  
① ② ③④ ⑤ ⑥ ⑦ ⑧ ⑨

- ① Series No.
- ② Category: W-WAFER
- ③ Welding Board Angle: R-Right Angle 90°
- ④ Welding Way: S-SMT
- ⑤ Row No.-Pin No.: XX-02P~16P
- ⑥ Plug the Pin & Special No.:
- ⑦ Material: LP -LCP UL 94V-0
- ⑧ Plating Category: SN-Bright Tin Plating  
V01-All Gold Flash
- ⑨ Color : Blank-Natural Color

Poles	Dimensions (mm)			Poles	Dimensions (mm)		
	A	B	C		A	B	C
02	2.50	10.00	5.90	10	22.50	30.00	25.90
03	5.00	12.50	8.40	11	25.00	32.50	28.40
04	7.50	15.00	10.90	12	27.50	35.00	30.90
05	10.00	17.50	13.40	13	30.00	37.50	33.40
06	12.50	20.00	15.90	14	32.50	40.00	35.90
07	15.00	22.50	18.40	15	35.00	42.50	38.40
08	17.50	25.00	20.90	16	37.50	45.00	40.90
09	20.00	27.50	23.40				



Conn.line  
Recommended P.C.B Layout  
General Tolerance±0.05



2P Shape  
SCALE 1:1

8821WRS-XX-LPV01	LCP UL 94V-0	Brass	Gold Flash	Tin-Plated	8821H
8821WRS-XX-LPSN			Tin-Plated	Tin-Plated	
PART NO	Material	Material(Pin And Solder Tabs)	Finish(Pin)	Finish(Solder Tabs)	Mates With ADZL Housing

DATE	OLD REV	NEW REV	ECN	DESCRIPTION	CHECK	APPROVAL

GENERAL TOLERANCE  
.X ±0.30  
.XX ±0.20  
.XXX ±0.10

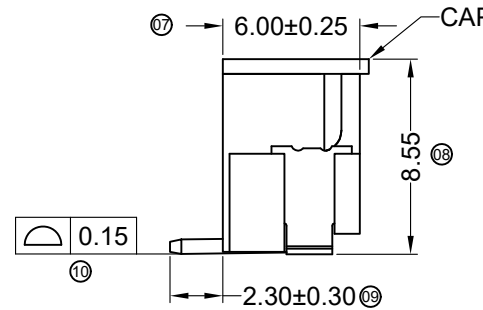
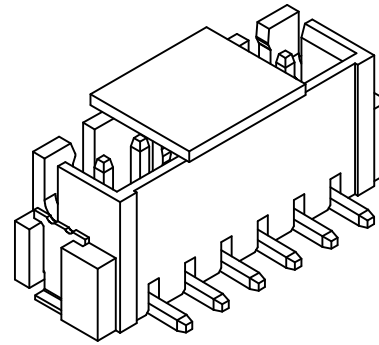
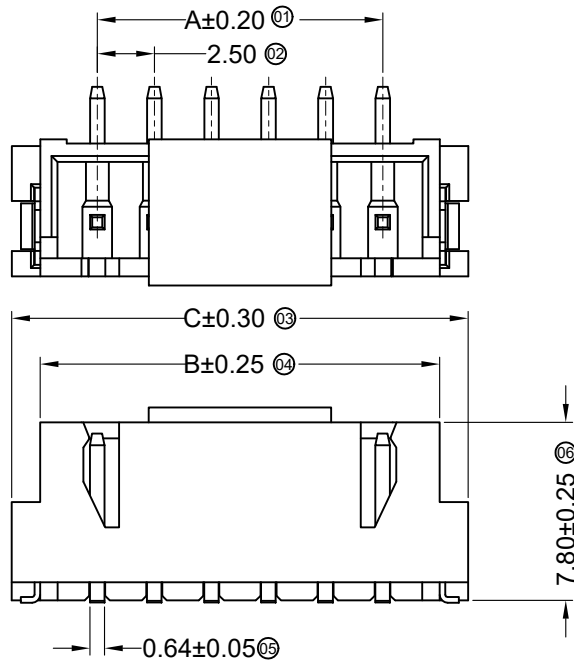
PROJECT  
⊕ ⊖

ADZL 东莞市思量连接器有限公司  
DONGGUAN ADZL CONNECTORS CO.,LTD.

APPROVAL CHECK DRAWN DATA

Ken Zhao Hong Allen 2017/10/27

PART NO. 8821WRS-XX-LPXXX			
TITLE 2.50mm Crimp Style Connector			
UNIT MM	SCALE 1:1	NUMBER	REV

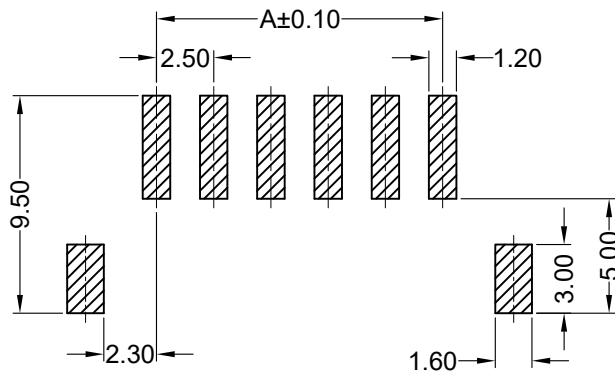


■ Specifications :

- Voltage rating: 250V AC / DC
- Current rating: 3A AC / DC
- Withstanding voltage: 1000V AC/minute
- Temperature range: -25°C~+85°C
- Insulation resistance: ≥1000MΩ
- Contact resistance: ≤10mΩ
- After environmental testing: ≤20mΩ

8821 W V S-XX X -LP SN XX  
 ① ② ③ ④ ⑤ ⑥ ⑦ ⑧ ⑨

- ① Series No.
- ② Category: W-WAFER
- ③ Welding Board Angle: V-180°
- ④ Welding Way: S-SMT
- ⑤ Row No.-Pin No.: XX-Single Row
- ⑥ Plug the Pin & Special No.:
- ⑦ Material: LP -LCP 94V-0
- ⑧ Plating Category: SN-Bright Tin Plating
- ⑨ Color : Blank-Natural Color



PCB LAYOUT

Poles	Dimensions(mm)			Poles	Dimensions(mm)		
	A	B	C		A	B	C
02	2.50	7.50	10.00	08	17.50	22.50	25.00
03	5.00	10.00	12.50	09	20.00	25.00	27.50
04	7.50	12.50	15.00	10	22.50	27.50	30.00
05	10.00	15.00	17.50	11	25.00	30.00	32.50
06	12.50	17.50	20.00	12	27.50	32.50	35.00
07	15.00	20.00	22.50	20	47.50	52.50	55.00

8821WVS-XX-LPSN	LCP UL 94V-0	Brass	Tin-Plated	Phosphore Bronze	Tin-Plated	8821H
PART NO	Material	Material(Pin)	Finish(Pin)	Material (Solder Tabs)	Finish (Solder Tabs)	Mates With ADZL Housing

GENERAL TOLERANCE  
 .X ±0.30  
 .XX ±0.20  
 .XXX ±0.10

ADZL 东莞市思量连接器有限公司  
 DONGGUAN ADZL CONNECTORS CO.,LTD.

PART NO. 8821WVS-XX-LPSN

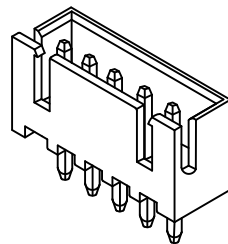
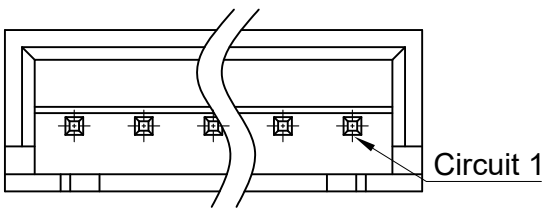
TITLE 2.50mm Crimp Style Connectors

APPROVAL CHECK DRAWN DATA

Ken Zhao Hong Allen 2019/06/10

UNIT MM SCALE 1:1 NUMBER REV

DATE	OLD REV	NEW REV	ECN	DESCRIPTION	CHECK	APPROVAL	PROJECT

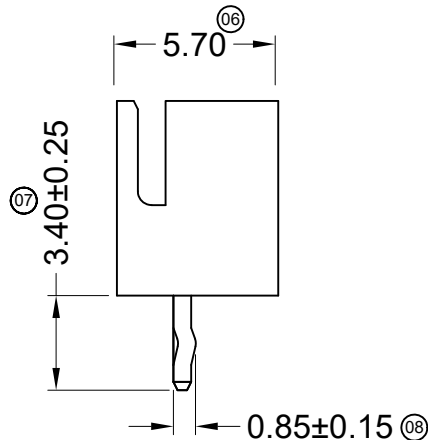
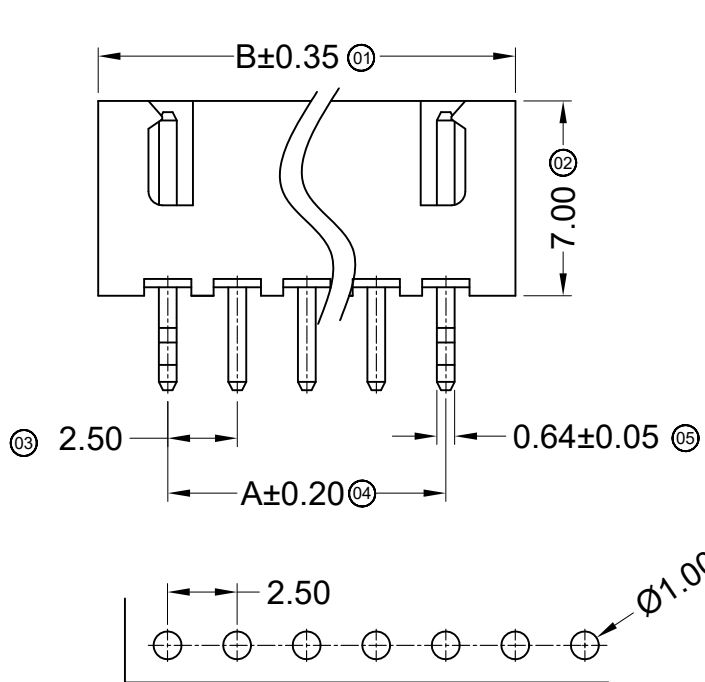


■ Specifications :

- Voltage rating: 250V AC / DC
- Current rating: 3A AC / DC
- Withstanding voltage: 1000V AC/minute
- Temperature range: -25°C~+85°C
- Insulation resistance: ≥1000MΩ
- Contact resistance: ≤10mΩ
- After environmental testing: ≤20mΩ

8821 W V X-XX K -N0 SN XX  
 ① ② ③ ④ ⑤ ⑥ ⑦ ⑧ ⑨

- ① Series No.
- ② Category: W-WAFER
- ③ Welding Board Angle: V- 180°
- ④ Welding Way: Blank-DIP ;
- ⑤ Row No.-Pin No.: XX-Single Row ;
- ⑥ Plug the Pin & Special No.: K1-ReverseKINK
- ⑦ Material: N0 -PA66 94V-0
- ⑧ Plating Category: SN-Bright Tin Plating
- ⑨ Color : Blank-Natural Color RE-Red  
 GE-Green BL-Blue BK-Black



Recommended P.C.B Layout  
 General Tolerance±0.05

Poles	Dimensions(mm)		Poles	Dimensions(mm)	
	A	B		A	B
02	2.50	7.50	12	27.50	32.50
03	5.00	10.00	13	30.00	35.00
04	7.50	12.50	14	32.50	37.50
05	10.00	15.00	15	35.00	40.00
06	12.50	17.50	16	37.50	42.50
07	15.00	20.00	17	40.00	45.00
08	17.50	22.50	18	42.50	47.50
09	20.00	25.00	19	45.00	50.00
10	22.50	27.50	20	47.50	52.50
11	25.00	30.00			

8821WV-XXK-N0SNXX	Nylon 66 UL 94V-0	Brass	Tin-Plated	8821H
PART NO	Material	Material(Pin)	Finish(Pin)	Mates With ADZL Housing

DATE	OLD REV	NEW REV	ECN	DESCRIPTION	CHECK	APPROVAL

GENERAL TOLERANCE	
.X	±0.30
.XX	±0.20
.XXX	±0.10
PROJECT	

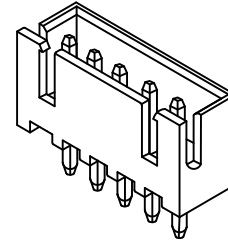
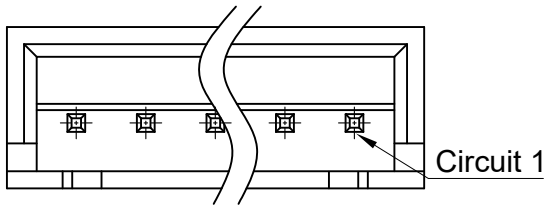
东莞市思量连接器有限公司 DONGGUAN ADZL CONNECTORS CO.,LTD.			
APPROVAL	CHECK	DRAWN	DATA
Ken	Zhao Hong	Allen	2022/05/15

PART NO. 8821WV-XXK-N0SNXX			
TITLE 2.50mm Crimp style Connector			
UNIT MM	SCALE 1:1	NUMBER	REV

RoHS

WWW.ADZLCONN.COM

TEL:0769-82285488

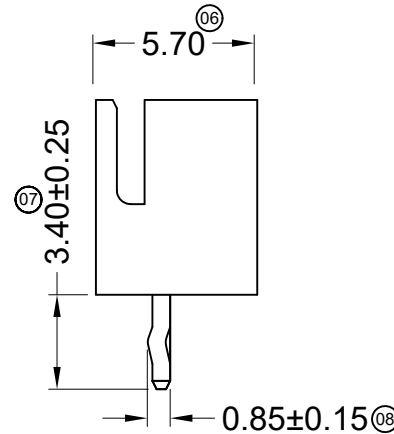
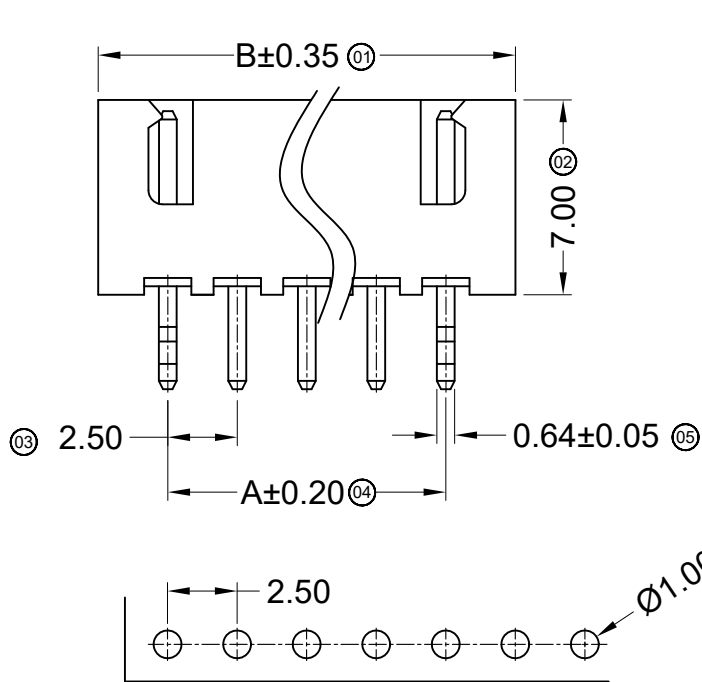


■ Specifications :

- Voltage rating: 250V AC / DC
- Current rating: 3A AC / DC
- Withstanding voltage: 1000V AC/minute
- Temperature range: -25°C~+85°C
- Insulation resistance: ≥1000MΩ
- Contact resistance: ≤10mΩ
- After environmental testing: ≤20mΩ

8821 W V X-XX K1 -N0 SN XX  
 ① ② ③ ④ ⑤ ⑥ ⑦ ⑧ ⑨

- ① Series No.
- ② Category: W-WAFER
- ③ Welding Board Angle: V- 180°
- ④ Welding Way: Blank-DIP ;
- ⑤ Row No.-Pin No.: XX-Single Row ;
- ⑥ Plug the Pin & Special No.: K1-ReverseKINK
- ⑦ Material: N0 -PA66 94V-0
- ⑧ Plating Category: SN-Bright Tin Plating
- ⑨ Color : Blank-Natural Color RE-Red  
 GE-Green BL-Blue BK-Black



Recommended P.C.B Layout  
 General Tolerance±0.05

Poles	Dimensions(mm)		Poles	Dimensions(mm)	
	A	B		A	B
02	2.50	7.50	12	27.50	32.50
03	5.00	10.00	13	30.00	35.00
04	7.50	12.50	14	32.50	37.50
05	10.00	15.00	15	35.00	40.00
06	12.50	17.50	16	37.50	42.50
07	15.00	20.00	17	40.00	45.00
08	17.50	22.50	18	42.50	47.50
09	20.00	25.00	19	45.00	50.00
10	22.50	27.50	20	47.50	52.50
11	25.00	30.00			

8821WV-XXXK1-N0SNXX	Nylon 66 UL 94V-0	Brass	Tin-Plated	8821H
PART NO	Material	Material(Pin)	Finish(Pin)	Mates With ADZL Housing

**ADZL** 东莞市思量连接器有限公司  
 DONGGUAN ADZL CONNECTORS CO.,LTD.

PART NO. 8821WV-XXXK1-N0SNXX

TITLE 2.50mm Crimp style Connector

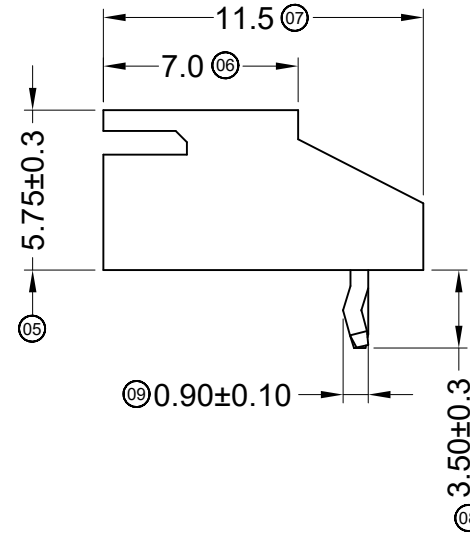
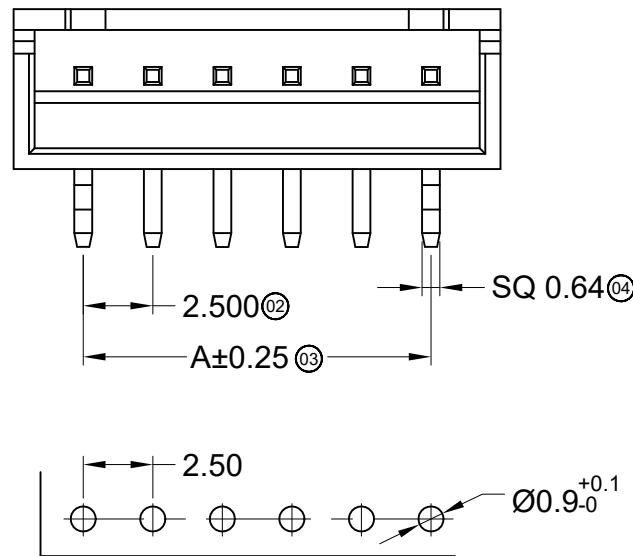
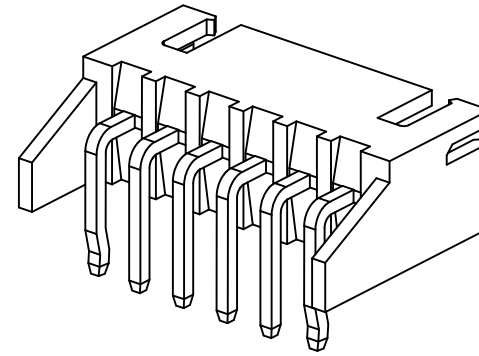
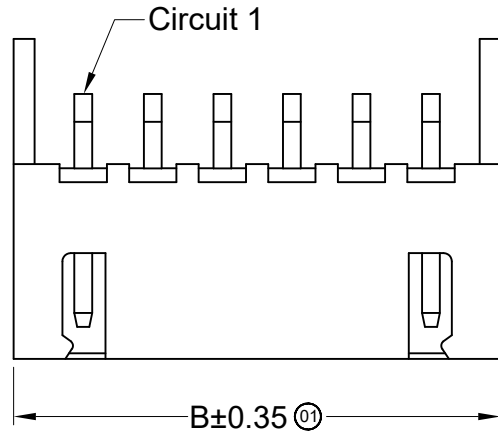
APPROVAL CHECK DRAWN DATA

Ken Zhao Hong Allen 2022/05/15

UNIT MM SCALE 1:1 NUMBER REV

DATE	OLD REV	NEW REV	ECN	DESCRIPTION	CHECK	APPROVAL

GENERAL TOLERANCE	
.X	±0.30
.XX	±0.20
.XXX	±0.10
PROJECT	



■ Specifications :

- Voltage rating: 250V AC / DC
- Current rating: 3A AC / DC
- Withstanding voltage: 1000V AC/minute
- Temperature range: -25°C~+85°C
- Insulation resistance:  $\geq 1000M\Omega$
- Contact resistance:  $\leq 10m\Omega$
- After environmental testing:  $\leq 20m\Omega$

8821 W R X-XX K -N0 SN XX  
 ① ②③④⑤ ⑥ ⑦ ⑧ ⑨

- ① Series No.
- ② Category: W-WAFER
- ③ Welding Board Angle: R-Right Angle 90°
- ④ Welding Way: Blank-DIP ;
- ⑤ Row No.-Pin No.: XX-Single Row ;
- ⑥ Plug the Pin & Special No.: K-KINK
- ⑦ Material: N0 -PA66 94V-0
- ⑧ Plating Category: SN-Bright Tin Plating
- ⑨ Color : Blank-Natural Color RE-Red  
 GE-Green BL-Blue BK-Black

Poles	Dimensions(mm)		Poles	Dimensions(mm)	
	A	B		A	B
02	2.50	7.50	12	27.50	32.50
03	5.00	10.00	13	30.00	35.00
04	7.50	12.50	14	32.50	37.50
05	10.00	15.00	15	35.00	40.00
06	12.50	17.50	16	37.50	42.50
07	15.00	20.00	17	40.00	45.00
08	17.50	22.50	18	42.50	47.50
09	20.00	25.00	19	45.00	50.00
10	22.50	27.50	20	47.50	52.50
11	25.00	30.00			

Recommended P.C.B Layout  
 General Tolerance  $\pm 0.05$

8821WR-XXK-N0SNXX	Nylon 66 UL 94V-0	Brass	Tin-Plated	8821H
PART NO	Material	Material(Pin)	Finish(Pin)	Mates With ADZL Housing

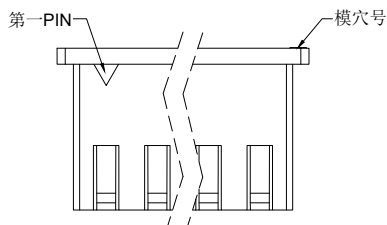
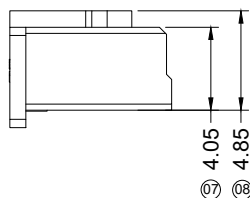
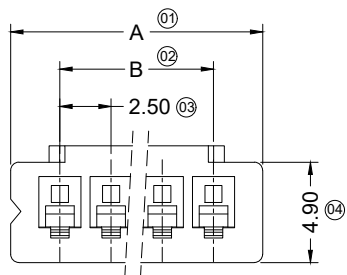
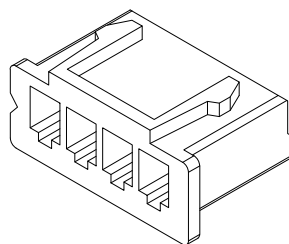
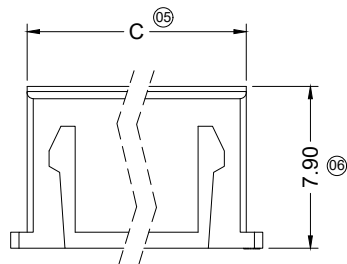
DATE	OLD REV	NEW REV	ECN	DESCRIPTION	CHECK	APPROVAL

GENERAL TOLERANCE  
 .X  $\pm 0.30$   
 .XX  $\pm 0.20$   
 .XXX  $\pm 0.10$

东莞市思量连接器有限公司  
 DONGGUAN ADZL CONNECTORS CO.,LTD.

APPROVAL	CHECK	DRAWN	DATA
Ken	Zhao Hong	Allen	2017/05/03

PART NO. 8821WR-XXK-N0SNXX  
 TITLE 2.50mm Crimp style Connector  
 UNIT MM SCALE 1:1 NUMBER REV



■ Specifications :

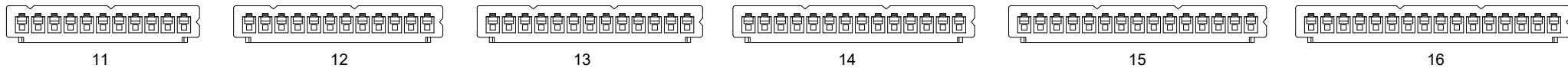
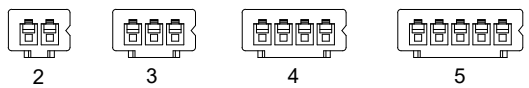
- Voltage rating: 250V AC / DC
- Current rating: 3A AC / DC
- Withstanding voltage: 1000V AC/minute
- Temperature range: -25°C~+85°C
- Insulation resistance: ≥1000MΩ
- Contact resistance: ≤20mΩ
- After environmental testing: ≤30mΩ

8821 H -XX -N0 XX -01

① ② ③ ④ ⑤ ⑥



- ① Series No.
- ② Category: H-HSG
- ③ Row No.-Pin No.: XX-Single Row
- ④ Material : N0-PA66 UL 94V-0
- ⑤ Color: Blank-Natural color
- ⑥ Special No.: -01

Pos	DIM A	DIM B	DIM C	Pos	DIM A	DIM B	DIM C
2	7.30	2.50	5.70	10	27.30	22.50	25.70
3	9.80	5.00	8.20	11	29.80	25.00	28.20
4	12.30	7.50	10.70	12	32.30	27.50	30.70
5	14.80	10.00	13.20	13	34.80	30.00	33.20
6	17.30	12.50	15.70	14	37.30	32.50	35.70
7	19.80	15.00	18.20	15	39.80	35.00	38.20
8	22.30	17.50	20.70	16	42.30	37.50	40.70
9	24.80	20.00	23.20				



8821H-XX-N0-01	PA66 UL94V-0	8821T	8821W
PART NO.	Material	Suitable ADZL Terminal	Mates With ADZL Wafer

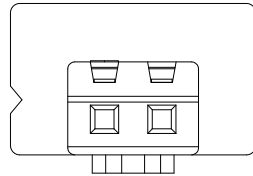
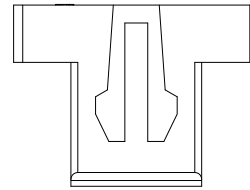
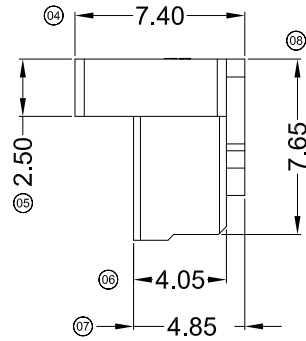
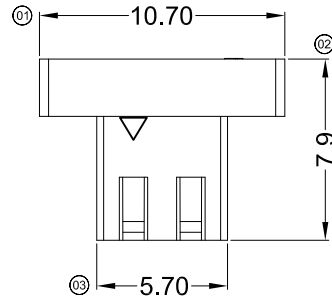
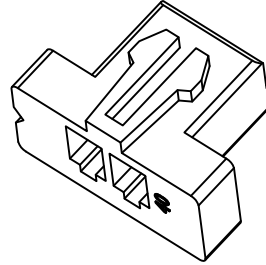
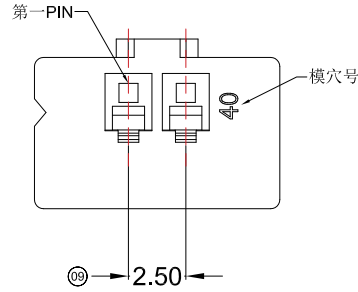
DATE	OLD REV	NEW REV	ECN	DESCRIPTION	CHECK	APPROVAL

GENERAL TOLERANCE	
.X	±0.30
.XX	±0.20
.XXX	±0.10
PROJECT	
	

 东莞市思量连接器有限公司  
DONGGUAN ADZL CONNECTORS CO.,LTD.

APPROVAL	CHECK	DRAWN	DATA
Ken	CK	Sunny	2022/11/01

PART NO.			
8821H-XX-N0-01			
TITLE			
2.50mm Crimp style Housing			
UNIT	SCALE	NUMBER	REV
MM	1:1	H-A0013	A



■ Specifications :

- Voltage rating: 250V AC / DC
- Current rating: 3A AC / DC
- Withstanding voltage: 1000V AC/minute
- Temperature range: -25°C~+85°C
- Insulation resistance: ≥1000MΩ
- Contact resistance: ≤10mΩ
- After environmental testing: ≤20mΩ

8821 H X -XX T -N0 BK  
 ① ② ③ ④ ⑤ ⑥ ⑦

- ① Series No.
- ② Category: H-HSG
- ③ Appearance type: Blank-Ordinary
- ④ Row No.-Pin No.: XX-Single Row
- ⑤ Plug the Pin & Special No. T-thickening
- ⑥ Material : N0-PA66 94V-0
- ⑦ Color: Bk : Black

8821H-02T-N0BK	Nylon 66 UL94V-0	8821T	8821W、8821HF
PART NO	Material	Suitable ADZL Terminal	Mates With ADZL Wafer Or Housing

GENERAL TOLERANCE  
 .X ±0.30  
 .XX ±0.20  
 .XXX ±0.10

 东莞市思量连接器有限公司  
 DONGGUAN ADZL CONNECTORS CO.,LTD.

PART NO.			
8821H-02T-N0BK			
TITLE			
2.50mm Crimp style Housing			
UNIT	SCALE	NUMBER	REV
MM	1:1	H-A0019	A

APPROVAL	CHECK	DRAWN	DATA
Ken	CK	Sunny	2022/11/01

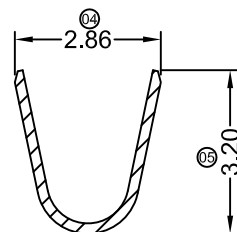
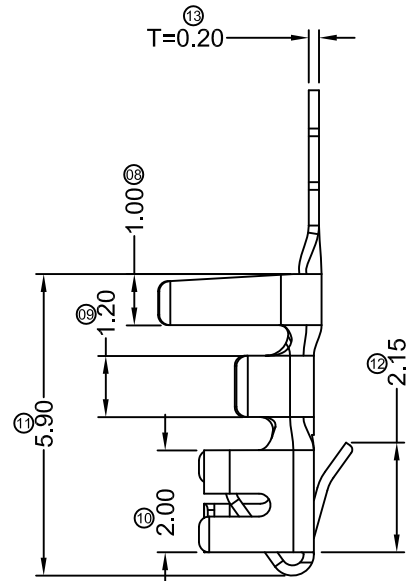
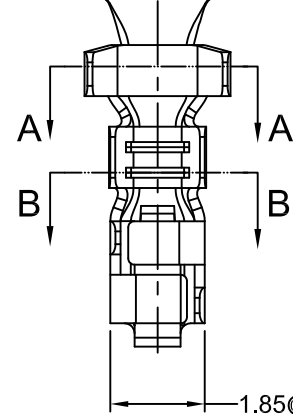
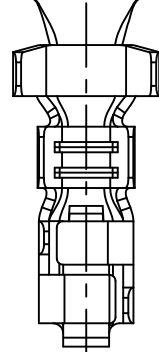
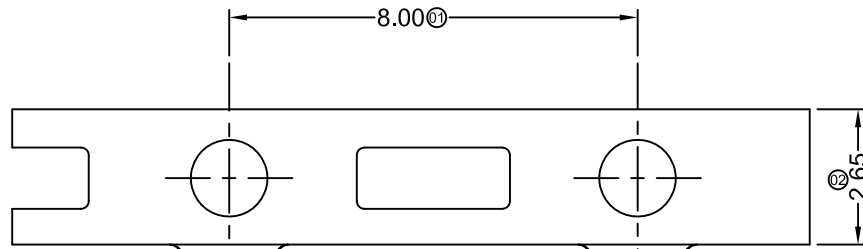
PROJECT  


DATE	OLD REV	NEW REV	ECN	DESCRIPTION	CHECK	APPROVAL
1			2			4

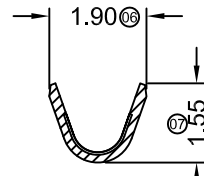
RoHS

WWW.ADZLCONN.COM

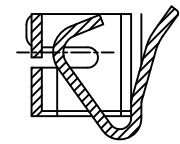
TEL:0769-82285488



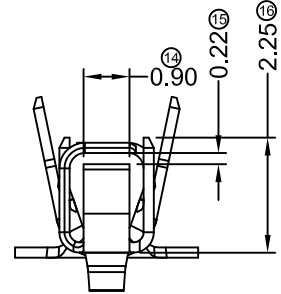
SECTION: A-A  
SCALE: 1:1



SECTION: B-B  
SCALE: 1:1



剖视图 B-B  
SCALE: 1:1

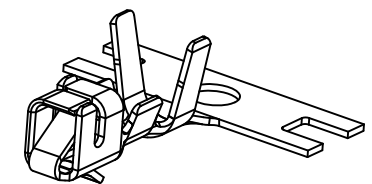


■ Specifications :

- Voltage rating: 250V AC / DC
- Current rating: 3A AC / DC
- Withstanding voltage: 1000V AC/minute
- Temperature range: -25°C~+85°C
- Insulation resistance: ≥1000MΩ
- Contact resistance: ≤10mΩ
- After environmental testing: ≤20mΩ

8821 T X-B SN X - 01  
① ② ③ ④ ⑤ ⑥ ⑦

- ① Series Number
- ② Category: T-terminal
- ③ Shape: Blank-ordinary
- ④ Material: B-Brass P-Phosphor bronze
- ⑤ Plating style: SN-Bright tin plating
- ⑥ Plating method:  
Blank-Stamping before plating  
B-Plating before stamping
- ⑦ Mold No./Mark/Special No.



8821T-BSN-01	Brass	AWG#22-26	1.90mm(Max)	Stamping Before Plating;30u" Ni;70u"Sn	8821H
PART NO	Material	Wire Range	Insulation O.D.	Finish	Used In ADZL Housing

GENERAL TOLERANCE
.X ±0.30
.XX ±0.20
.XXX ±0.10

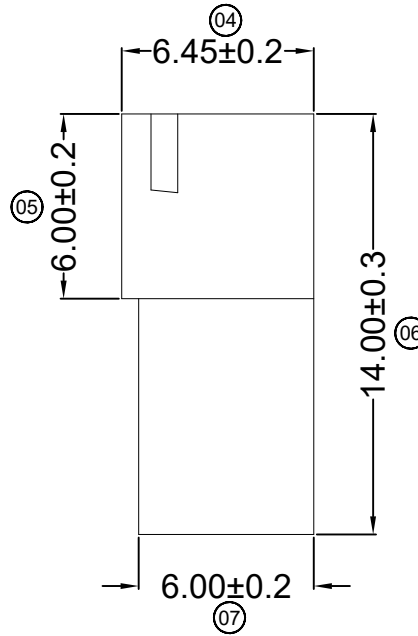
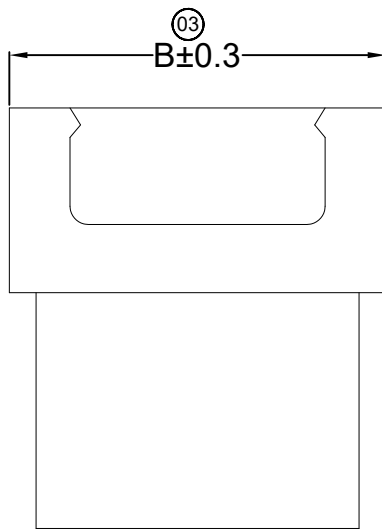
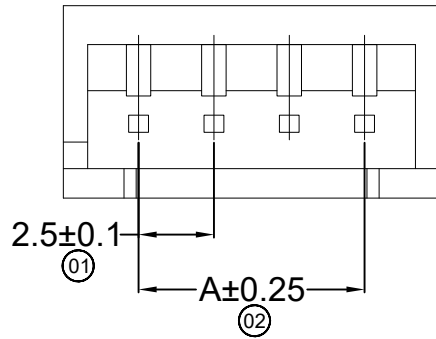
**ADZL** 东莞市思量连接器有限公司  
DONGGUAN ADZL CONNECTORS CO.,LTD.

APPROVAL	CHECK	DRAWN	DATE
Ken	Zhao Hong	Allen	2024/07/16

PART NO. 8821T-BSN-01			
TITLE 2.50mm Crimp Style Connectors			
UNIT MM	SCALE 1:1	NUMBER 8	REV E

DATE	OLD REV	NEW REV	ECN	DESCRIPTION	CHECK	APPROVAL	PROJECT
							⊕ ⊕





■ Specifications :

- Voltage rating: 250V AC / DC
- Current rating: 3A AC / DC
- Withstanding voltage: 1000V AC/minute
- Temperature range: -25°C~+85°C
- Insulation resistance: ≥1000MΩ
- Contact resistance: ≤10mΩ
- After environmental testing: ≤20mΩ

8821 H F-XX X-N0 XX  
 ① ② ③ ④ ⑤ ⑥ ⑦

- ① Series No.
- ② Category: H-HSG
- ③ Appearance type: F-Female
- ④ Row No.-Pin No.: XX-Single Row
- ⑤ Plug the Pin & Special No. Blank-Ordinary
- ⑥ Material : N0-PA66 94V-0
- ⑦ Color: Blank : Natural Color

Poles	Dimensions (mm)	
	A	B
02	2.50	7.50
03	5.00	10.00
04	7.50	12.50
05	10.00	15.00
06	12.50	17.50
07	15.00	20.00
08	17.50	22.50
09	20.00	25.00
10	22.50	27.50
11	25.00	30.00
12	27.50	32.50
13	30.00	35.00
14	32.50	37.50
15	35.00	40.00
16	37.50	42.50
17	40.00	45.00
18	42.50	47.50
19	45.00	50.00
20	47.50	52.50

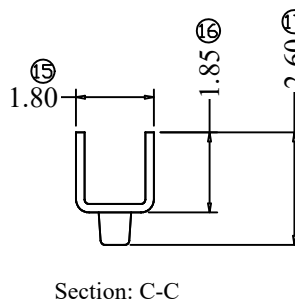
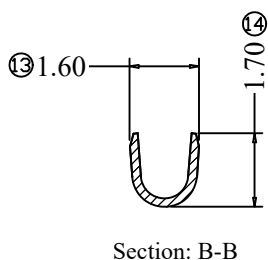
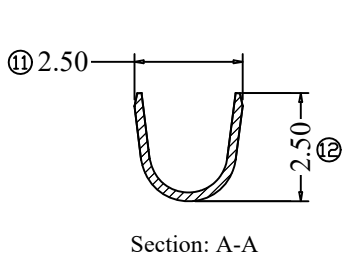
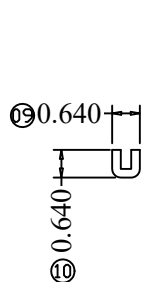
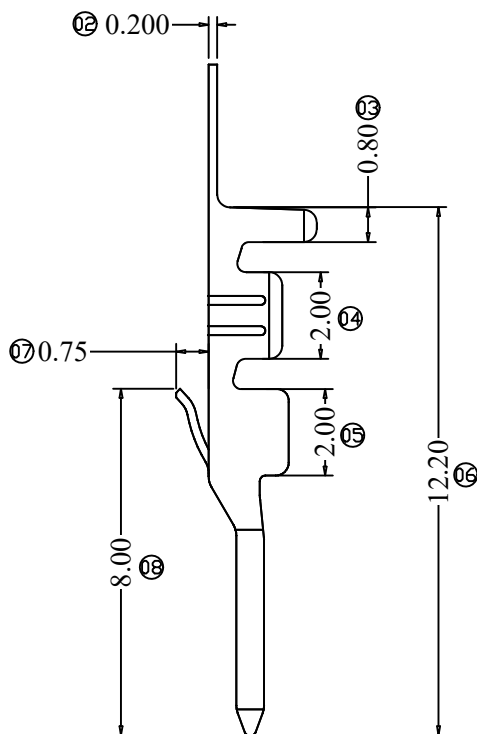
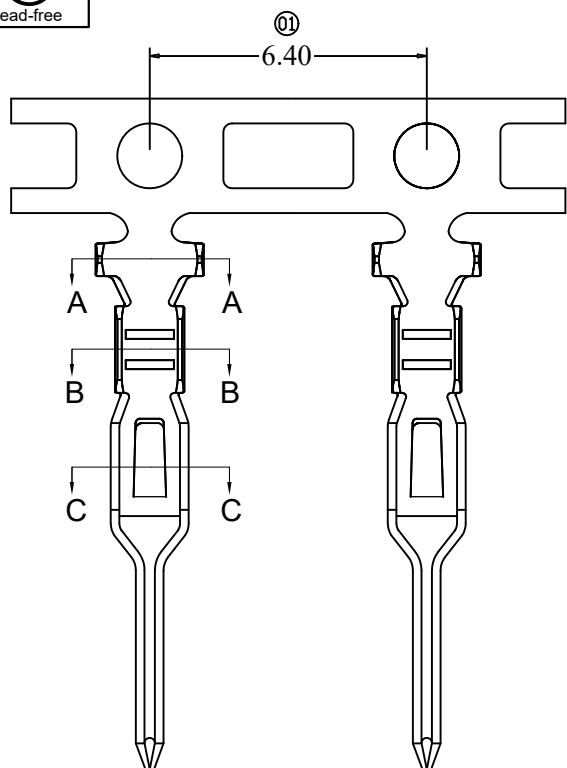
8821HF-XX-N0	Nylon 66 UL 94V-0	8821TM	8821W、8821H
PART NO	Material	Suitable ADZL Terminal	Mates With ADZL Wafer Or Housing

DATE	OLD REV	NEW REV	ECN	DESCRIPTION	CHECK	APPROVAL

GENERAL TOLERANCE	
.X	±0.30
.XX	±0.20
.XXX	±0.10
PROJECT	

东莞市思量连接器有限公司 DONGGUAN ADZL CONNECTORS CO.,LTD.			
APPROVAL	CHECK	DRAWN	DATA
Ken	Zhao Hong	Allen	2017/06/08

PART NO. 8821HF-XX-N0			
TITLE 2.50 mm Crimp style Connector			
UNIT MM	SCALE 1 : 1	NUMBER	REV



■ Specifications(规格):

- Voltage rating(额定电压): 250V AC / DC
- Current rating(额定电流): 3A AC / DC
- Withstanding voltage(耐压值): 1000V AC/minute
- Temperature range(工作温度): -25°C~+85°C
- Insulation resistance(绝缘电阻): ≥1000MΩ
- Contact resistance(接触电阻): ≤10mΩ
- After environmental testing(环境测试后): ≤20mΩ

8821 T M-P SN X-01

① ② ③ ④ ⑤ ⑥ ⑦

- ①系列
- ②类别:  
T-端子
- ③外观形态:  
M-公端
- ④材质:  
P-磷铜
- ⑤电镀类别:G\*\*-镀金 V\*\*-镀全金  
\*O1-Gold Flash \*O2-2U" \*O3-3U" \*O5-5U"  
\*10-10U" \*15-15U" \*30-30U" \*50-50U"  
SN-镀亮锡(70-120U") SN1-镀亮锡(120U"Min.)  
0-素材 SW-镀雾锡
- ⑥电镀方式:  
空码-先冲后镀 B-先镀后冲
- ⑦01-模号/MARK及特殊码

8821TM-PSN-01	Phosphor Bronze	AWG#22-26	1.90mm(Max)	Stamping Before Plating:30~50u" Ni;70~120u"Sn	8821HF/2564HF
PART NO	Material	Wire Range	Insulation O.D.	Finish	Used In ADZL Housing

DATE	OLD REV	NEW REV	ECN	DESCRIPTION	CHECK	APPROVAL
1			2	3		4

GENERAL TOLERANCE  
 .X ±0.30  
 .XX ±0.20  
 .XXX ±0.10



 东莞市思量连接器有限公司  
 DONGGUAN ADZL CONNECTORS CO.,LTD.

APPROVAL	CHECK	DRAWN	DATA
Ken	Zhao Hong	Allen	2020/04/08

PART NO. 8821TM-PSN-01			
TITLE 2.50 mm Crimp Style connectors			
UNIT MM	SCALE 1/1	NUMBER	REV
		8	

A