

■ Specifications :

- Voltage rating: 100V AC / DC
- Current rating: 1A AC / DC
- Withstanding voltage: 500V AC/minute
- Temperature range: -25°C~+85°C
- Insulation resistance: ≥500MΩ
- Contact resistance: ≤30mΩ
- After environmental testing: ≤40mΩ

1008 H X-XX X-XXXX



(1) (2) (3) (4) (5) (6) (7)

- (1) Series No.
- (2) Category: H-HSG
- (3) Welding Board Angle: Blank-ordinary
- (4) Row No.-Pin No.: XX-Single row
- (5) Plug the Pin & special No.
- (6) Material: 46-PA46 94V-0 ;
- (7) Color: Blank-natural color

Poles	Dimensions(mm)			
	A	B	C	D
08	7.00	11.50	9.85	8.50
14	13.00	17.50	15.85	14.50
20	19.00	23.50	21.85	20.50
30	29.00	33.50	31.85	30.50

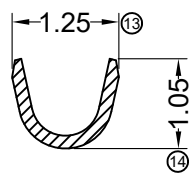
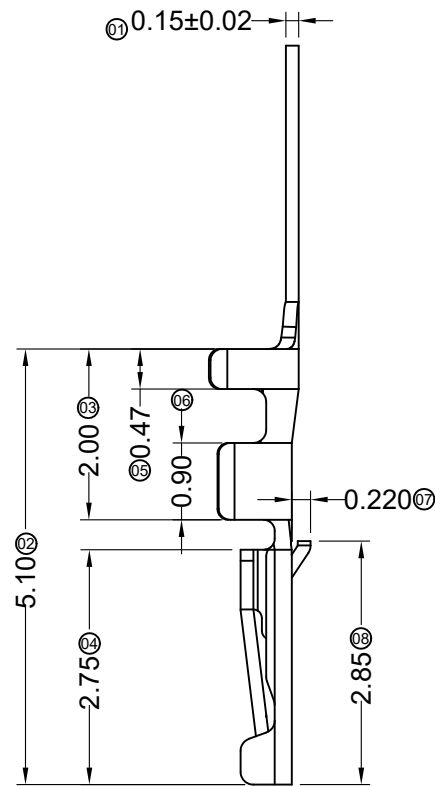
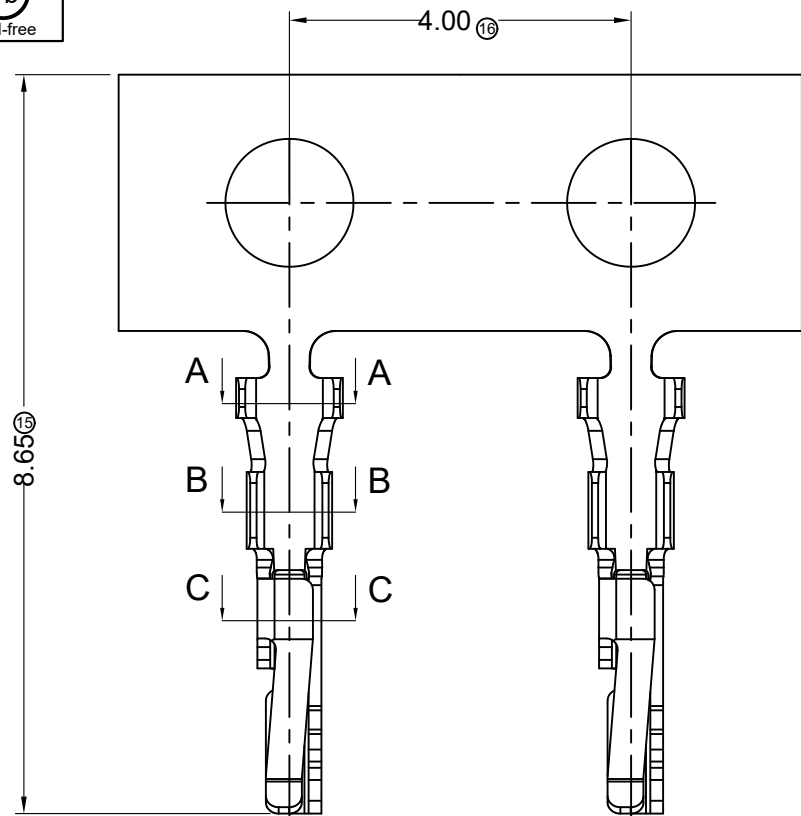
1008H-XX-46	Nylon 46 UL 94V-0	Stainless Steel	1008T	1008W
PART NO	Material	Material(Shell)	Suitable ADZL Terminal	Mates ADZL Wafer

DATE	OLD REV	NEW REV	ECN	DESCRIPTION	CHECK	APPROVAL

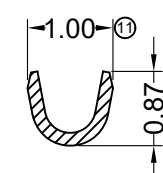
GENERAL TOLERANCE	
.X	±0.30
.XX	±0.20
.XXX	±0.10
PROJECT	
	

 <b>东莞市思量连接器有限公司</b> DONGGUAN ADZL CONNECTORS CO.,LTD.			
APPROVAL	CHECK	DRAWN	DATA
Ken	Zhao Hong	Allen	2018/08/12

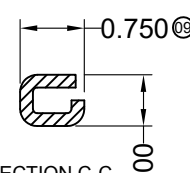
PART NO.			
1008H-XX-XX			
TITLE			
1.00 mm Crimp Style Connectors			
UNIT	SCALE	NUMBER	REV
MM	1:1		



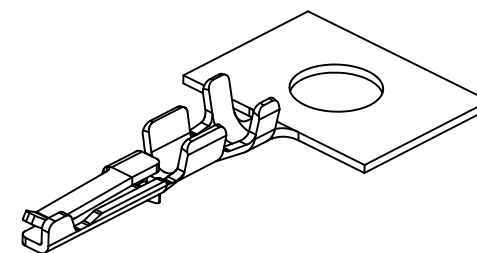
SECTION A-A  
SCALE 1:1



SECTION B-B  
SCALE 1:1



SECTION C-C  
SCALE 1:1



■ Specifications :

- Voltage rating: 100V AC / DC
- Current rating: 1A AC / DC
- Withstanding voltage: 500V AC/minute
- Temperature range: -25°C~+85°C
- Insulation resistance: ≥500MΩ
- Contact resistance: ≤30mΩ
- After environmental testing: ≤40mΩ


1008 T X-P V01 X-X

① ② ③ ④ ⑤ ⑥ ⑦

- ① Series Number
- ② Category: T-terminal
- ③ Shape: Blank-ordinary
- ④ Material: P-Phosphor bronze
- ⑤ Plating style: V01-All Gold-Flash
- ⑥ Plating method:  
Blank-Stamping before plating
- ⑦ Mold No./Mark/Special No.

1008T-PV01	Phosphor Bronze	AWG#28-32	0.60mm(Max)	Stamping Before Pating: 30u" Ni;Whole Gold :Gold Flash	1008H
PART NO	Material	Wire Range	Insulation O.D.	Finish	Used In ADZL Housing

DATE	OLD REV	NEW REV	ECN	DESCRIPTION	CHECK	APPROVAL	

GENERAL TOLERANCE	
.X	±0.30
.XX	±0.20
.XXX	±0.10
PROJECT	

 东莞市思量连接器有限公司  
DONGGUAN ADZL CONNECTORS CO.,LTD.

APPROVAL	CHECK	DRAWN	DATA
Ken	Zhao Hong	Allen	2018/08/12

PART NO. 1008T-PV01			
TITLE 1.00 mm Crimp Style Connectors			
UNIT MM	SCALE 1:1	NUMBER	REV