

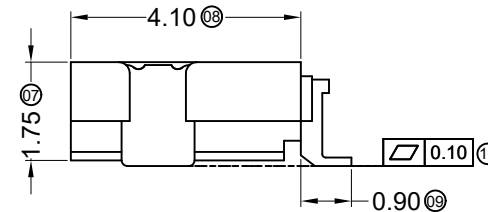
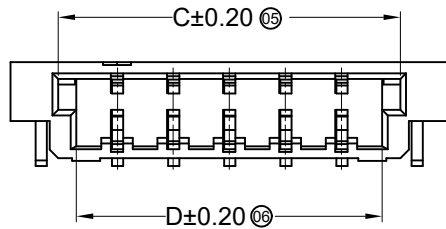
Specifications :

- Voltage rating: 50V AC / DC
- Current rating: 1A AC / DC
- Withstanding voltage: 500V AC/minute
- Temperature range: -25°C~+85°C
- Insulation resistance: ≥100MΩ
- Contact resistance: ≤20mΩ
- After environmental testing: ≤40mΩ

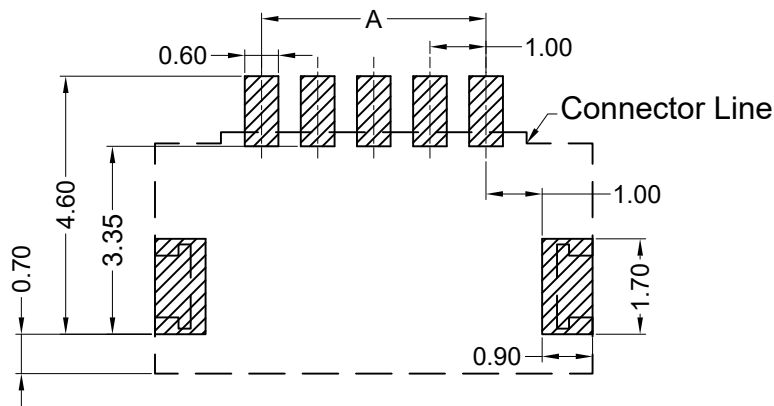
1011 W R S-XX-9T XX XX

(1) (2) (3) (4) (5) (6) (7) (8)

- (1) Series No.
- (2) Category: W-wafer
- (3) Welding Board Angle: R-Right Angle 90°
- (4) Welding Way: S-SMT
- (5) Row No.-Pin No.: XX-02P~30P
- (6) Material: 9T-PA9T 94V-0 ;
- (7) Planting Category:
V01:All Gold Flash ; SW-Matte Tin plating
- (8) Color: Blank-natural color



Poles	Dimensions(mm)				Poles	Dimensions(mm)			
	A	B	C	D		A	B	C	D
02	1.00	4.80	3.10	2.50	17	16.00	19.80	18.10	17.50
03	2.00	5.80	4.10	3.50	18	17.00	20.80	19.10	18.50
04	3.00	6.80	5.10	4.50	19	18.00	21.80	20.10	19.50
05	4.00	7.80	6.10	5.50	20	19.00	22.80	21.10	20.50
06	5.00	8.80	7.10	6.50	21	20.00	23.80	22.10	21.50
07	6.00	9.80	8.10	7.50	22	21.00	24.80	23.10	22.50
08	7.00	10.80	9.10	8.50	23	22.00	25.80	24.10	23.50
09	8.00	11.80	10.10	9.50	24	23.00	26.80	25.10	24.50
10	9.00	12.80	11.10	10.50	25	24.00	27.80	26.10	25.50
11	10.00	13.80	12.10	11.50	26	25.00	28.80	27.10	26.50
12	11.00	14.80	13.10	12.50	27	26.00	29.80	28.10	27.50
13	12.00	15.80	14.10	13.50	28	27.00	30.80	29.10	28.50
14	13.00	16.80	15.10	14.50	29	28.00	31.80	30.10	29.50
15	14.00	17.80	16.10	15.50	30	29.00	32.80	31.10	30.50
16	15.00	18.80	17.10	16.50					



Recommended P.C.B Layout
General Tolerance±0.05

1011WRS-XX-9TSW	PA9T UL 94V-0	Phosphor Bronze	Matte Tin Plating	1011H
1011WRS-XX-9TV01	PA9T UL 94V-0		Gold-Flash	
PART NO	Material	Material(Pin And Solder Tabs)	Finish(PinAnd Solder Tabs)	Mates With ADZL Housing

DATE	OLD REV	NEW REV	ECN	DESCRIPTION	CHECK	APPROVAL

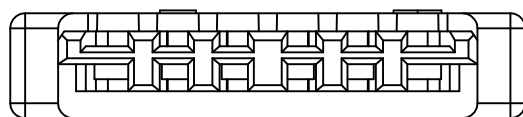
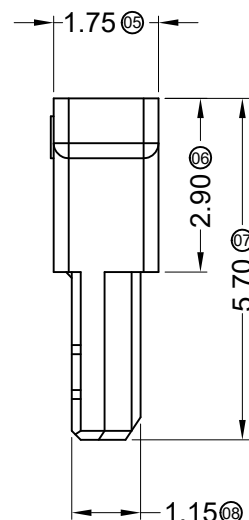
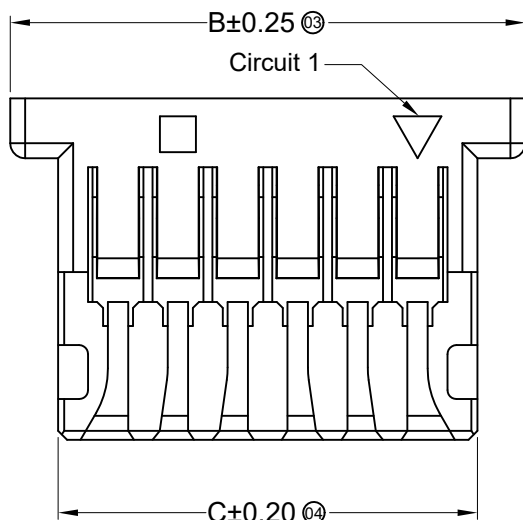
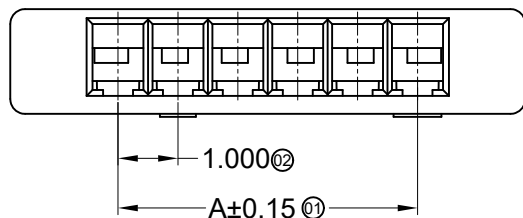
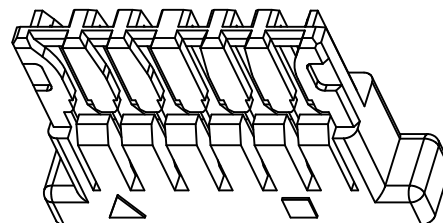
GENERAL TOLERANCE
.X ±0.30
.XX ±0.20
.XXX ±0.10



ADZL 东莞市思量连接器有限公司
DONGGUAN ADZL CONNECTORS CO.,LTD.

APPROVAL	CHECK	DRAWN	DATA
Ken	Zhao Hong	Allen	2018/04/30

PART NO. 1011WRS-XX-9TXX			
TITLE 1.00mm Crimp Style Connectors			
UNIT MM	SCALE 1:1	NUMBER	REV



■ Specifications :

- Voltage rating: 50V AC / DC
- Current rating: 1A AC / DC
- Withstanding voltage: 500V AC/minute
- Temperature range: -25°C~+85°C
- Insulation resistance: ≥100MΩ
- Contact resistance: ≤20mΩ
- After environmental testing: ≤40mΩ

1011 H X-XX X-N0 XX HF

① ② ③ ④ ⑤ ⑥ ⑦ ⑧

- ① Series No.
- ② Category: H-HSG
- ③ Welding Board Angle: Blank-ordinary
- ④ Row No.-Pin No.: XX-02P~30P
- ⑤ Plug the Pin & special No.
- ⑥ Material: N0-PA66 94V-0
- ⑦ Color: Blank-Natural color
- ⑧ HF-Halogen free

Poles	Dimensions(mm)			Poles	Dimensions(mm)		
	A	B	C		A	B	C
02	1.00	4.60	3.00	12	11.00	14.60	13.00
03	2.00	5.60	4.00	13	12.00	15.60	14.00
04	3.00	6.60	5.00	14	13.00	16.60	15.00
05	4.00	7.60	6.00	15	14.00	17.60	16.00
06	5.00	8.60	7.00	16	15.00	18.60	17.00
07	6.00	9.60	8.00	20	19.00	22.60	21.00
08	7.00	10.60	9.00	22	21.00	24.60	23.00
09	8.00	11.60	10.00	26	25.00	28.60	27.00
10	9.00	12.60	11.00	30	29.00	32.60	31.00
11	10.00	13.60	12.00				

1011H-XX-N0HF	Nylon 66 UL 94V-0 Halogen Free	1011T	1011W
1011H-XX-N0	Nylon 66 UL 94V-0		
PART NO	Material	Suitable ADZL Terminal	Mates ADZL Wafer

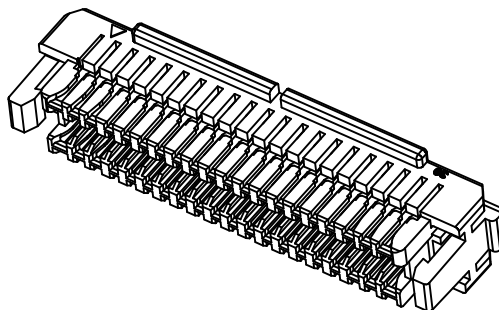
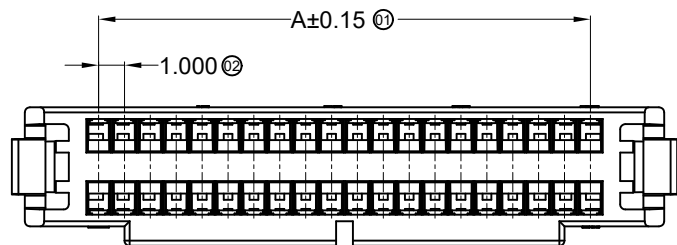
DATE	OLD REV	NEW REV	ECN	DESCRIPTION	CHECK	APPROVAL

GENERAL TOLERANCE	
.X	±0.30
.XX	±0.20
.XXX	±0.10
PROJECT	



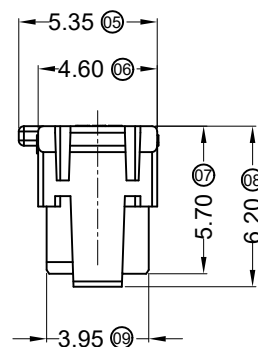
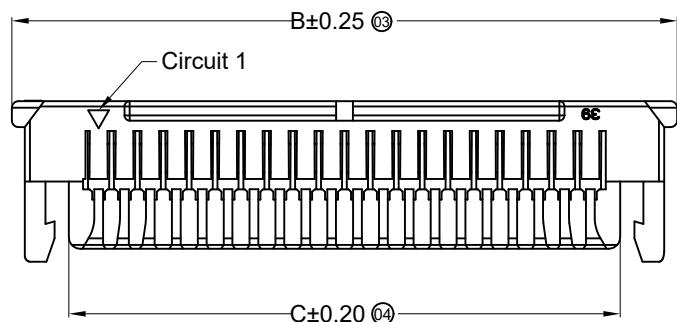
APPROVAL	CHECK	DRAWN	DATA
Ken	Zhao Hong	Allen	2019/04/28

PART NO. 1011H-XX-N0XX			
TITLE 1.00mm Crimp Style Connectors			
UNIT MM	SCALE 1:1	NUMBER	REV



Specifications :

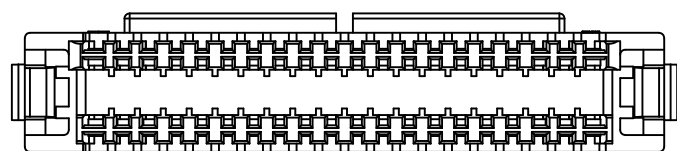
- Voltage rating: 50V AC / DC
- Current rating: 1A AC / DC
- Withstanding voltage: 500V AC/minute
- Temperature range: -25°C~+85°C
- Insulation resistance: ≥100MΩ
- Contact resistance: ≤20mΩ
- After environmental testing: ≤40mΩ



1011 H X-2*XX X-N0 XX HF
 ① ②③ ④ ⑤⑥ ⑦ ⑧

- ① Series No.
- ② Category: H-HSG
- ③ Welding Board Angle: Blank-ordinary
- ④ Row No.-Pin No.: 2*XX-2*10P~2*25P
- ⑤ Plug the Pin & special No.
- ⑥ Material: N0-PA66 94V-0
- ⑦ Color: Blank-natural Color
- ⑧ HF-Halogen Free

Poles	Dimensions(mm)		
	A	B	C
2x10	9.00	15.70	11.30
2x15	14.00	20.70	16.30
2x20	19.00	25.70	21.30
2x25	24.00	30.70	26.30



1011H-2*XX-N0HF	Nylon 66 UL 94V-0 Halogen Free	1011T	1011W
PART NO	Material	Suitable ADZL Terminal	Mates With ADZL Wafer

DATE	OLD REV	NEW REV	ECN	DESCRIPTION	CHECK	APPROVAL

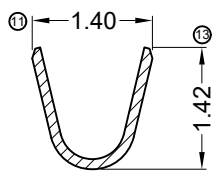
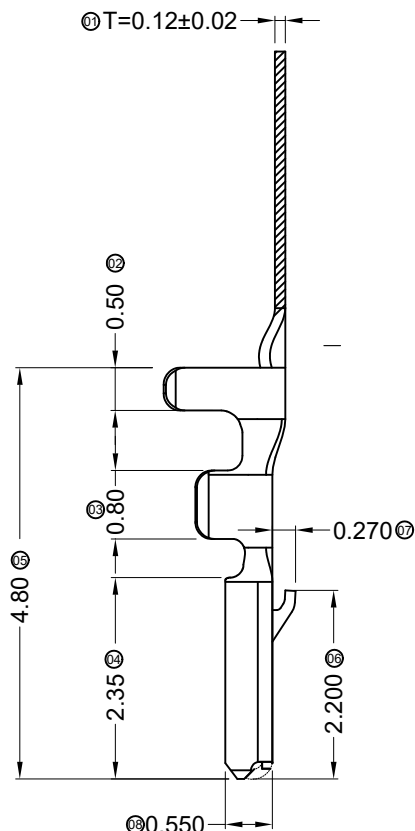
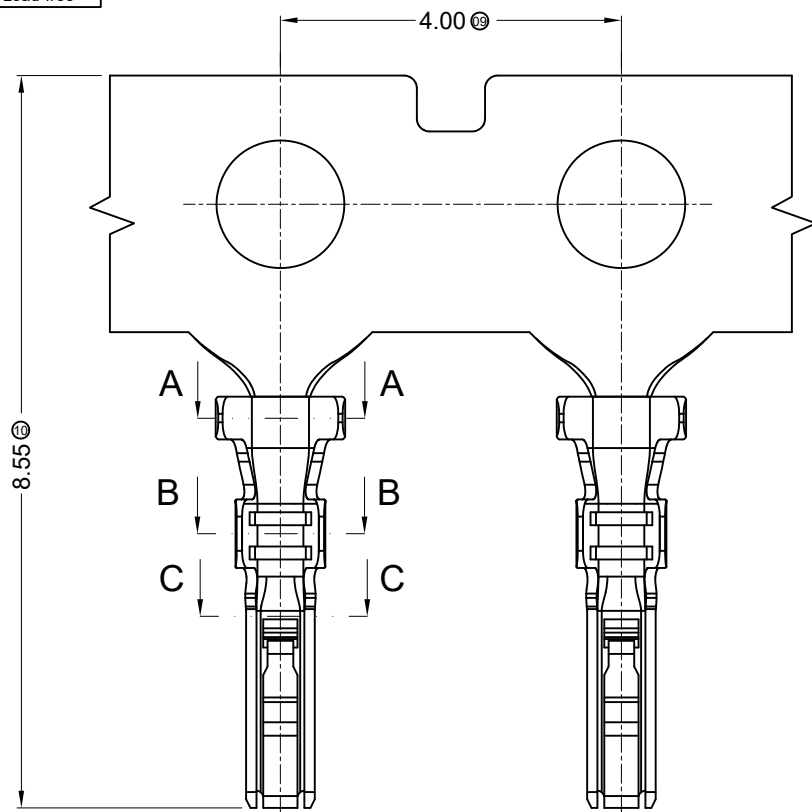
GENERAL TOLERANCE
 .X ±0.30
 .XX ±0.20
 .XXX ±0.10



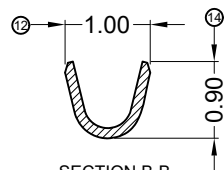
 东莞市思量连接器有限公司
 DONGGUAN ADZL CONNECTORS CO.,LTD.

APPROVAL	CHECK	DRAWN	DATA
Ken	Zhao Hong	Allen	2014/04/30

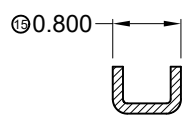
PART NO. 1011H-2*XX-N0HF			
TITLE 1.00mm Crimp Style Connectors			
UNIT MM	SCALE 1:1	NUMBER	REV



SECTION A-A
SCALE 1:1



SECTION B-B
SCALE 1:1



SECTION C-C
SCALE 1:1

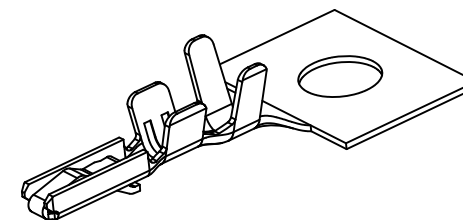
■ Specifications :

- Voltage rating: 50V AC / DC
- Current rating: 1A AC / DC
- Withstanding voltage: 500V AC/minute
- Temperature range: -25°C~+85°C
- Insulation resistance: ≥100MΩ
- Contact resistance: ≤20mΩ
- After environmental testing: ≤40mΩ

1011 T X-P XX X-X



① ② ③ ④ ⑤ ⑥ ⑦

- ① Series Number
- ② Category: T-terminal
- ③ Shape: Blank-ordinary
- ④ Material: P-Phosphor bronze
- ⑤ Plating style:
V01-All Gold Flash ; SN-Bright tin plating
- ⑥ Plating method: Blank-Stamping before plating
- ⑦ Mold No./Mark/Special No.



1011T-PV01	Phosphor Bronze	AWG#28-32	0.80mm(Max)	Stamping Before Pating:30u" Ni;Whole Gold :Gold Flash	1011H
1011T-PSN	Phosphor Bronze	AWG#28-32	0.80mm(Max)	Stamping Before Plating:30u" Ni;70u"Sn	
PART NO	Material	Wire Range	Insulation O.D.	Finish	Used In ADZL Housing

DATE	OLD REV	NEW REV	ECN	DESCRIPTION	CHECK	APPROVAL

GENERAL TOLERANCE	
.X	±0.30
.XX	±0.20
.XXX	±0.10
PROJECT	
	

 东莞市思量连接器有限公司 DONGGUAN ADZL CONNECTORS CO.,LTD.			
APPROVAL	CHECK	DRAWN	DATA
Ken	Zhao Hong	Allen	2018/04/30

PART NO. 1011T-PXX			
TITLE 1.00mm Crimp Style Conntctors			
UNIT MM	SCALE 1:1	NUMBER	REV