

RECOMMENDED PCB LAYOUT
GENERAL TOLERANCE ±0.05

■ Specifications :

- Voltage rating: 50V AC / DC
- Current rating: 2A AC / DC
- Withstanding voltage: 500V AC/minute
- Temperature range: -25°C~+85°C
- Insulation resistance: ≥100MΩ
- Contact resistance: ≤10mΩ
- After environmental testing: ≤20mΩ

1201 W R S-XX X-XX VXX XX

① ② ③ ④ ⑤ ⑥ ⑦ ⑧ ⑨

- ① Series No.
- ② Category: W-wafer
- ③ Welding Board Angle: R-Right Angle 90°
- ④ Welding Way: S-SMT
- ⑤ Row No.-Pin No.: XX-02P~08P
- ⑥ Plug the Pin & Special No.
- ⑦ Material: LP-LCP 94V-0
- ⑧ Planting Category: V01: Gold Flash ; V03-Gold 3u"
- ⑨ Color: Blank-Natural Color

Poles	Dimensions(mm)				
	A	B	C	D	E
02	1.20	2.70	4.20	3.20	1.50
03	2.40	3.90	5.40	4.40	1.50
04	3.60	5.10	6.60	5.60	1.20
05	4.80	6.30	7.80	6.80	1.20
06	6.00	7.50	9.00	8.00	1.20
07	7.20	8.70	10.20	9.20	1.20
08	8.40	9.90	11.40	10.40	1.20

1201WRS-XX-LPV01	LCP UL 94V-0	Phosphor Bronze	Gold-Flash	Tin-Plated
PART NO	Material	Material(Pin And Solder Tabs)	Finish(Pin)	Finish(Solder Tabs)

DATE	OLD REV	NEW REV	ECN	DESCRIPTION	CHECK	APPROVAL

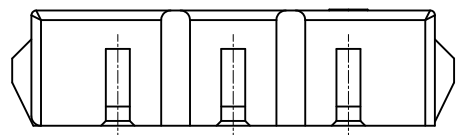
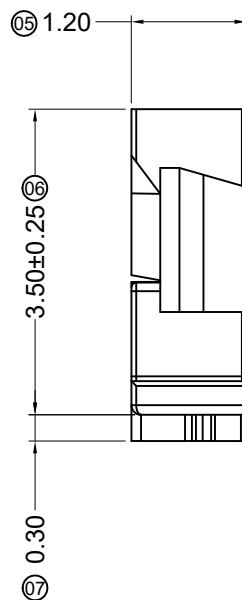
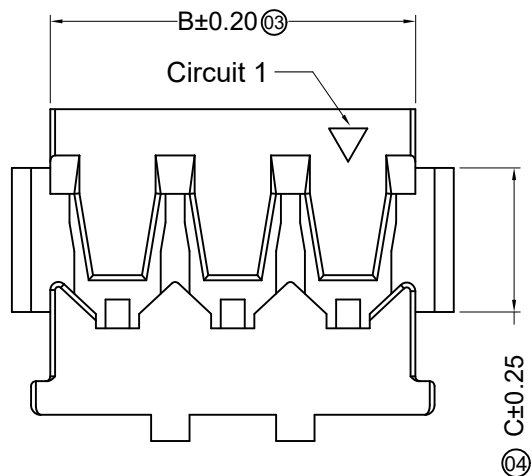
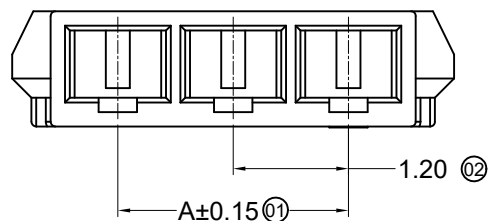
GENERAL TOLERANCE
.X ±0.30
.XX ±0.20
.XXX ±0.10

PROJECT


 东莞市思量连接器有限公司
DONGGUAN ADZL CONNECTORS CO.,LTD.

APPROVAL	CHECK	DRAWN	DATA
Ken	Zhao Hong	Allen	2017/08/10

PART NO. 1201WRS-XX-LPV01			
TITLE 1.20mm Crimp Style Connectors			
UNIT MM	SCALE 1:1	NUMBER	REV



Specifications :

- Voltage rating: 50V AC / DC
- Current rating: 2A AC / DC
- Withstanding voltage: 500V AC/minute
- Temperature range: -25°C~+85°C
- Insulation resistance: ≥100MΩ
- Contact resistance: ≤10mΩ
- After environmental testing: ≤20mΩ

1201 H X -XX -N0 XX XX

(1) (2) (3) (4) (5) (6) (7)

- (1) Series No.
- (2) Category: H-HSG
- (3) Welding Board Angle: Blank-ordinary
- (4) Row No.-Pin No.: XX-02P~06P
- (5) Material: N0-PA66 94V-0
- (6) Color: Blank-Natural Color BK-Black
- (7) HF-Halogen free

Poles	Dimensions(mm)		
	A	B	C
02	1.20	2.60	1.50
03	2.40	3.80	1.50
04	3.60	5.00	1.20
05	4.80	6.20	1.20
06	6.00	7.40	1.20
07	7.20	8.60	1.20
08	8.40	9.80	1.20

1201H-XX-N0HF	Nylon 66 UL 94V-0 Halogen Free	1201T	1201W
1201H-XX-N0	Nylon 66 UL 94V-0		
PART NO	Material	Suitable ADZL Terminal	Suitable ADZL Wafer

DATE	OLD REV	NEW REV	ECN	DESCRIPTION	CHECK	APPROVAL

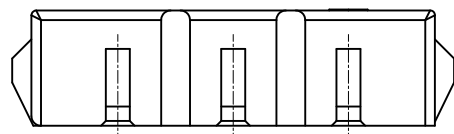
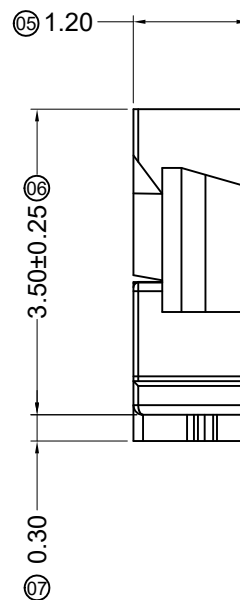
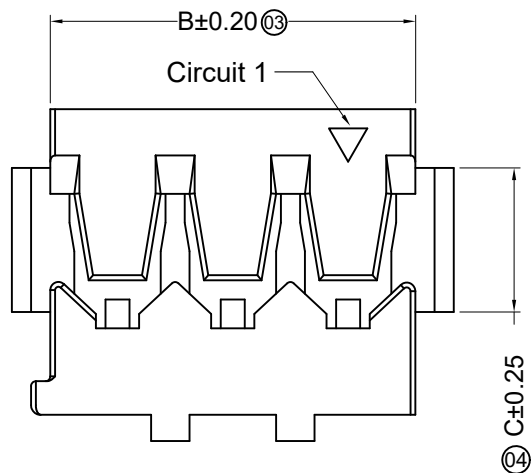
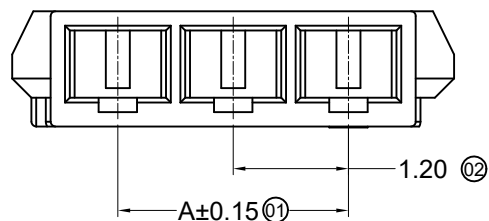
GENERAL TOLERANCE
 .X ±0.30
 .XX ±0.20
 .XXX ±0.10

PROJECT


 东莞市思量连接器有限公司
 DONGGUAN ADZL CONNECTORS CO.,LTD.

APPROVAL	CHECK	DRAWN	DATA
Ken	Zhao Hong	Allen	2020/07/20

PART NO. 1201H-XX-N0XX			
TITLE 1.20mm Crimp Style Connectors			
UNIT MM	SCALE 1:1	NUMBER	REV



Specifications :

- Voltage rating: 50V AC / DC
- Current rating: 2A AC / DC
- Withstanding voltage: 500V AC/minute
- Temperature range: -25°C~+85°C
- Insulation resistance: ≥100MΩ
- Contact resistance: ≤10mΩ
- After environmental testing: ≤20mΩ

1201 H X -XX -A-N0 XX XX
 01 02 03 04 05 06 07 08

- 01 Series No.
- 02 Category: H-HSG
- 03 Welding Board Angle: Blank-ordinary
- 04 Row No.-Pin No.: XX-02P~06P
- 05 Special No:A-Uilateral ear
- 06 Material: N0-PA66 94V-0
- 07 Color: Blank-Natural Color BK-Black
- 08 HF-Halogen free

Poles	Dimensions(mm)		
	A	B	C
02	1.20	2.60	1.50
03	2.40	3.80	1.50
04	3.60	5.00	1.20
05	4.80	6.20	1.20
06	6.00	7.40	1.20
07	7.20	8.60	1.20
08	8.40	9.80	1.20

1201H-XXA-N0HF	Nylon 66 UL 94V-0 Halogen Free	1201T	1201W
1201H-XXA-N0	Nylon 66 UL 94V-0		
PART NO	Material	Suitable ADZL Terminal	Suitable ADZL Wafer

DATE	OLD REV	NEW REV	ECN	DESCRIPTION	CHECK	APPROVAL

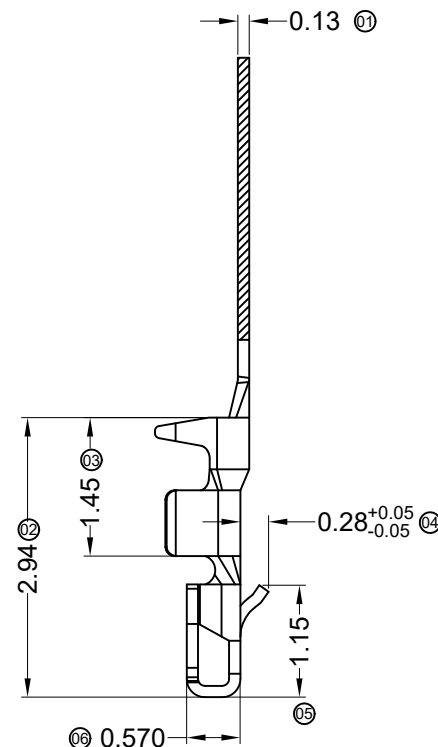
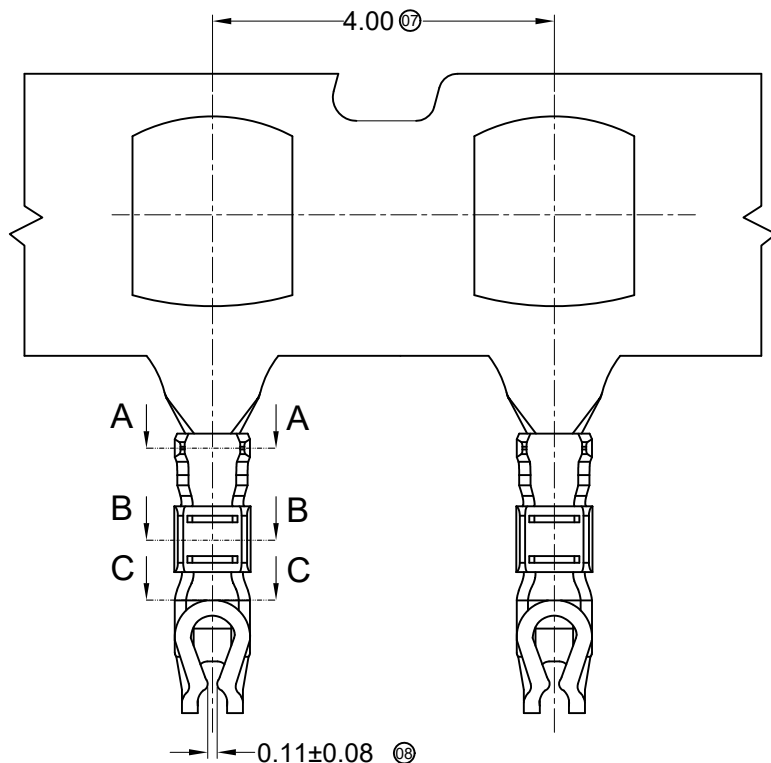
GENERAL TOLERANCE
 .X ±0.30
 .XX ±0.20
 .XXX ±0.10



 东莞市思量连接器有限公司
 DONGGUAN ADZL CONNECTORS CO.,LTD.

APPROVAL	CHECK	DRAWN	DATA
Ken	Zhao Hong	Allen	2020/07/20

PART NO. 1201H-XXA-N0XX
 TITLE 1.20mm Crimp Style Connectors
 UNIT MM SCALE 1:1 NUMBER REV

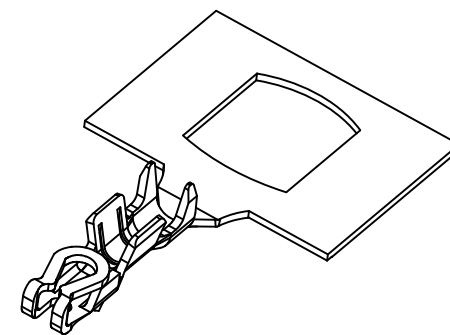
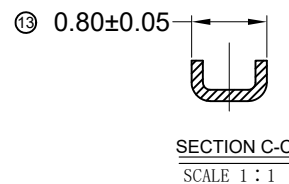
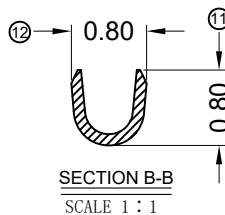
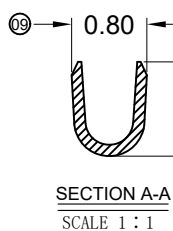


Specifications :

- Voltage rating: 50V AC / DC
- Current rating: 2A AC / DC
- Withstanding voltage: 500V AC/minute
- Temperature range: -25°C~+85°C
- Insulation resistance: ≥100MΩ
- Contact resistance: ≤10mΩ
- After environmental testing: ≤20mΩ

1201 T X-P V01 X-X

- ① Series Number
- ② Category: T-terminal
- ③ Shape: Blank-ordinary
- ④ Material: P-Phosphor bronze
- ⑤ Plating style: V01-All Gold Flash
- ⑥ Plating method: Blank-Stamping before plating
- ⑦ Mold No./Mark/Special No.



1201T-PV01	Phosphor Bronze	AWG#30-28	0.63mm(Max)	Stamping Before Pating:30u" Ni;Whole Gold :Gold Flash	1201H
PART NO	Material	Wire Range	Insulation O.D.	Finish	Used In ADZL Housing

DATE	OLD REV	NEW REV	ECN	DESCRIPTION	CHECK	APPROVAL

GENERAL TOLERANCE
 .X ±0.30
 .XX ±0.20
 .XXX ±0.10

ADZL 东莞市思量连接器有限公司
 DONGGUAN ADZL CONNECTORS CO.,LTD.

APPROVAL	CHECK	DRAWN	DATA
Ken	Zhao Hong	Allen	2017/08/13

PROJECT: 

PART NO. 1201T-PV01			
TITLE 1.20mm Crimp Style Connectors			
UNIT MM	SCALE 1:1	NUMBER	REV