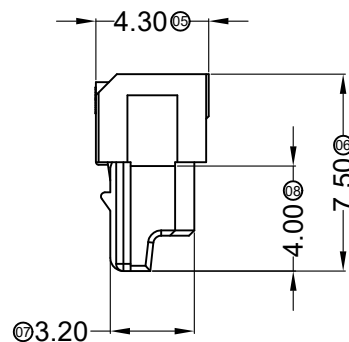
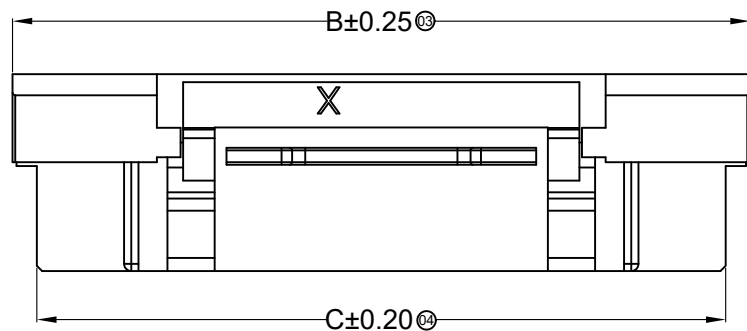


■ Specifications :

- Voltage rating: 200V AC / DC
- Current rating: 1.5A AC / DC
- Withstanding voltage: 1000V AC/minute
- Temperature range: -25°C~+120°C
- Insulation resistance: ≥1000MΩ
- Contact resistance: ≤20mΩ
- After environmental testing: ≤40mΩ

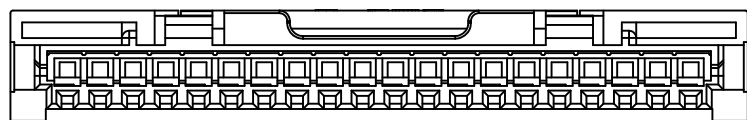


1257 H X-XX HF-XX XX

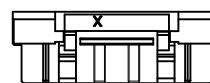
① ② ③ ④ ⑤ ⑥ ⑦

- ① Series No.
- ② Category: H-HSG
- ③ Welding Board Angle: Blank-ordinary
- ④ Row No.-Pin No.: XX-05P-25P
- ⑤ Plug the Pin & special No.: HF-Halogen Free
- ⑥ Material: LP-LCP 94V-0 ; N0-PA66 94V-0
- ⑦ Color: Blank-Natural Color

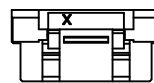
20P Shape Scale 1:1



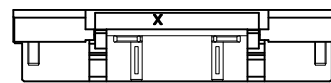
05P Scale 1:2



15P Scale 1:2



10P Scale 1:2



25P Scale 1:2

| Poles | Dimensions(mm) | | |
|-------|----------------|-------|-------|
| | A | B | C |
| 05 | 5.00 | 9.35 | 7.50 |
| 10 | 11.25 | 15.60 | 13.75 |
| 15 | 17.50 | 21.85 | 20.00 |
| 20 | 23.75 | 28.10 | 26.25 |
| 25 | 30.00 | 34.35 | 32.50 |

| | | | |
|---------------|-------------------------------|-----------------------|-----------------------|
| 1257H-XXHF-LP | LCP UL 94V-0 Halogen Free | 1257T | 1257W |
| 1257H-XXHF-N0 | PA66 UL 94V-0 Halogen Free | | |
| PART NO | Material | Suitable ADZ Terminal | Mates With ADZL Wafer |

| DATE | OLD REV | NEW REV | ECN | DESCRIPTION | CHECK | APPROVAL |
|------|---------|---------|-----|-------------|-------|----------|
| | | | | | | |

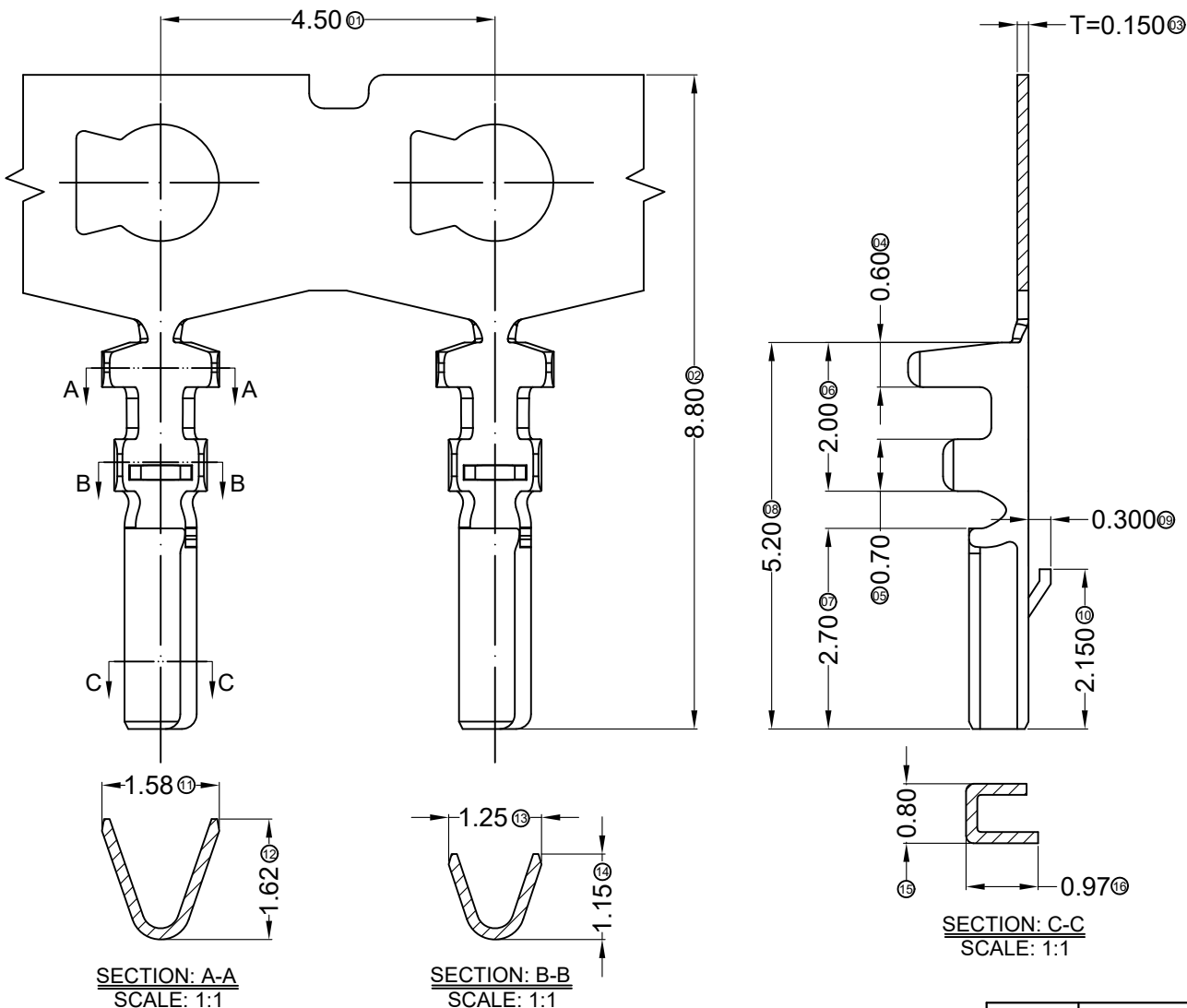
GENERAL TOLERANCE
 .X ±0.30
 .XX ±0.20
 .XXX ±0.10



 东莞市思量连接器有限公司
 DONGGUAN ADZL CONNECTORS CO.,LTD.

| APPROVAL | CHECK | DRAWN | DATA |
|----------|-----------|-------|------------|
| Ken | Zhao Hong | Allen | 2018/06/04 |

| | | | |
|-------------------------------------|--------------|--------|-----|
| PART NO. 1257H-XXHF-XX | | | |
| TITLE 1.25mm Crimp Style Connectors | | | |
| UNIT MM | SCALE 1:1 | NUMBER | REV |




■ Specifications :

- Voltage rating: 200V AC / DC
- Current rating: 1.5A AC / DC
- Withstanding voltage: 1000V AC/minute
- Temperature range: -25°C~+120°C
- Insulation resistance: ≥1000MΩ
- Contact resistance: ≤20mΩ
- After environmental testing: ≤40mΩ

1257 T X-P SN X - X
① ② ③ ④ ⑤ ⑥ ⑦

- ① Series Number
- ② Category: T-terminal
- ③ Shape: Blank-ordinary
- ④ Material: P-Phosphor bronze
- ⑤ Plating style: SN-Bright tin plating
- △ V**-All Gold-Plated ; *01-Gold Flash
- ⑥ Plating method: Blank-Stamping before plating
- ⑦ Mold No./Mark/Special No.

| | | | | | |
|------------|-----------------|------------|-----------------|--|----------------------|
| 1257T-PV01 | Phosphor Bronze | AWG#26-28 | 1.07mm(Max) | Stamping Before Pating:30~50u" Ni;Whole Gold :Gold Flash | 1257H |
| 1257T-PSN | | | | Stamping Before Plating:30u"MIN. Ni; 70u"Sn | |
| PART NO | Material | Wire Range | Insulation O.D. | Finish | Used In ADZL Housing |

| | | | | | | |
|-------------------|---------|---------|-----|-------------|-------|---|
| GENERAL TOLERANCE | | | | | | PROJECT |
| .X ±0.30 | | | | | | |
| .XX ±0.20 | | | | | | |
| .XXX ±0.10 | | | | | |  |
| DATE | OLD REV | NEW REV | ECN | DESCRIPTION | CHECK | |

| | | | | | | | |
|---|-------|-----------|-----|-------------------------------------|--|------------|--|
|  东莞市思量连接器有限公司 DONGGUAN ADZL CONNECTORS CO.,LTD. | | | | PART NO. 1257T-PXX | | | |
| APPROVAL | | | | TITLE 1.25mm Crimp Style Connectors | | | |
| Ken | | Zhao Hong | | Allen | | 2018/06/04 | |
| UNIT | SCALE | NUMBER | REV | | | | |
| MM | 1:1 | | | | | | |

| | | | |
|------|-------|--------|-----|
| UNIT | SCALE | NUMBER | REV |
| MM | 1:1 | | |