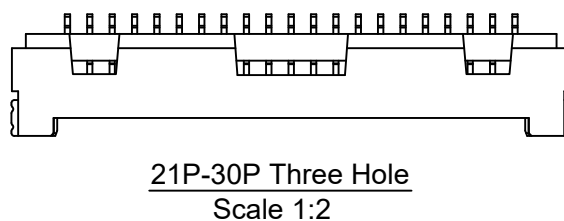
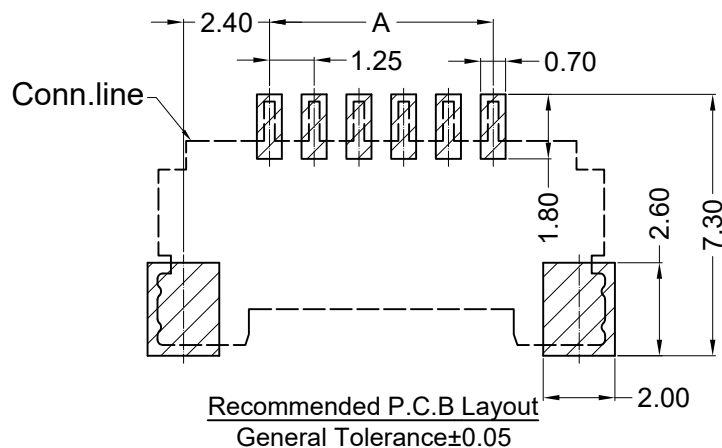
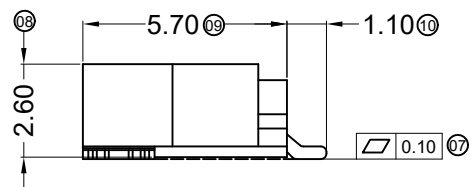
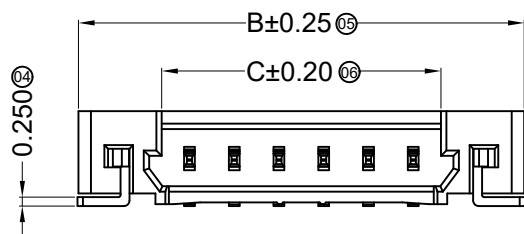


■ Specifications :

- Voltage rating: 150V AC / DC
- Current rating: 1A AC / DC
- Withstanding voltage: 500V AC/minute
- Temperature range: -25°C~+85°C
- Insulation resistance: ≥500MΩ
- Contact resistance: ≤30mΩ
- After environmental testing: ≤40mΩ

9862 W R S-XX A-XX V01 XX
① ② ③ ④ ⑤ ⑥ ⑦ ⑧ ⑨


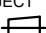
- ① Series No.
- ② Category: W-wafer
- ③ Welding Board Angle: R- Right Angle 90°
- ④ Welding Way: S-SMT
- ⑤ Row No.-Pin No.: XX-02P~30P
- ⑥ Plug the Pin & Special No.: A-With Lock
- ⑦ Material: 6T-PA6T 94V-0 ; LP-LCP 94V-0
- ⑧ Planting Category: V01-Gold Flash ;
- ⑨ Color: Blank-natural color




Poles	Dimensions(mm)			Poles	Dimensions(mm)		
	A	B	C		A	B	C
02	1.25	7.45	3.13	11	12.50	18.70	14.38
03	2.50	8.70	4.38	12	13.75	19.95	15.63
04	3.75	9.95	5.63	13	15.00	21.20	16.88
05	5.00	11.20	6.88	14	16.25	22.45	18.13
06	6.25	12.45	8.13	15	17.50	23.70	19.38
07	7.50	13.70	9.38	20	23.75	29.95	25.63
08	8.75	14.95	10.63	25	30.00	36.20	31.88
09	10.00	16.20	11.88	30	36.25	42.45	38.13
10	11.25	17.45	13.13				

9862WRS-XXA-6TSN	PA6T UL 94V-0	Brass	Tin-Plated	9862H-A
9862WRS-XXA-6TV01	PA6T UL 94V-0		Gold-Flash	
PART NO	Material (Wafer And Cap)	Material (Pin And Solder Tabs)	Finish (Pin And Solder Tabs)	Mates With ADZL Housing

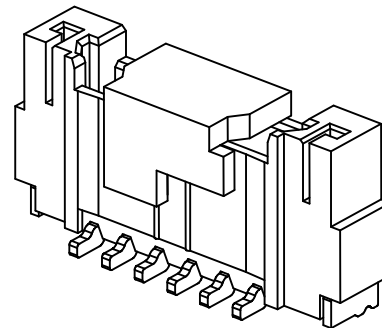
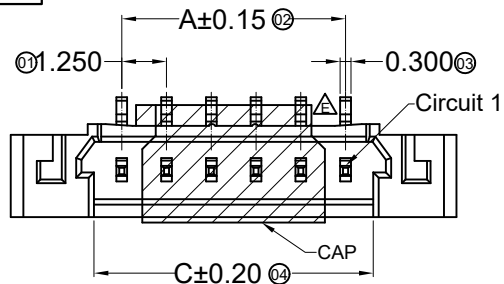
DATE	OLD REV	NEW REV	ECN	DESCRIPTION	CHECK	APPROVAL

GENERAL TOLERANCE	
.X	±0.30
.XX	±0.20
.XXX	±0.10
PROJECT	
	

 东莞市思量连接器有限公司
DONGGUAN ADZL CONNECTORS CO.,LTD.

APPROVAL	CHECK	DRAWN	DATA
Ken	Zhao Hong	Allen	2018/07/06

PART NO. 9862WRS-XXA-XXV01			
TITLE 1.25mm Crimp Style Connectors			
UNIT MM	SCALE 1:1	NUMBER	REV

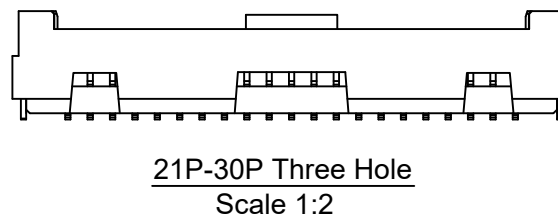
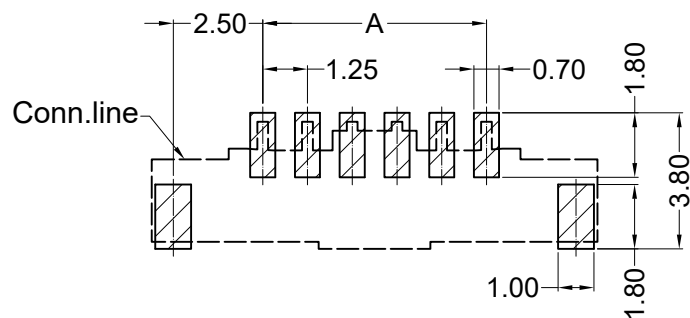
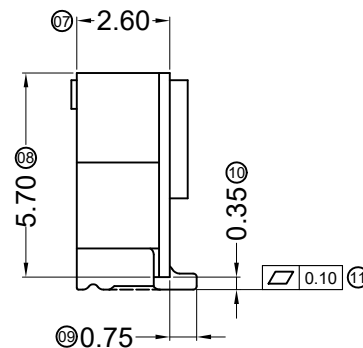
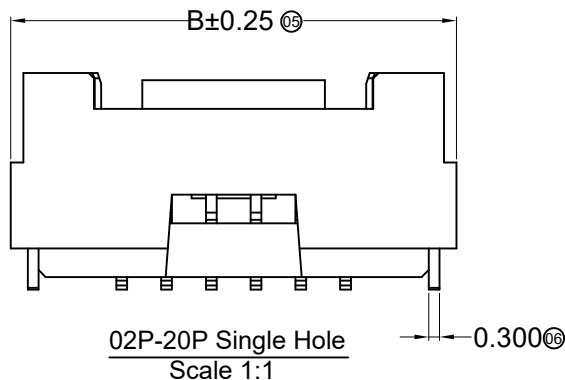


Specifications :

- Voltage rating: 150V AC / DC
- Current rating: 1A AC / DC
- Withstanding voltage: 500V AC/minute
- Temperature range: -25°C~+85°C
- Insulation resistance: ≥500MΩ
- Contact resistance: ≤30mΩ
- After environmental testing: ≤40mΩ


9862 W V S-XX A- 6T XXX XX
 ① ② ③ ④ ⑤ ⑥ ⑦ ⑧ ⑨

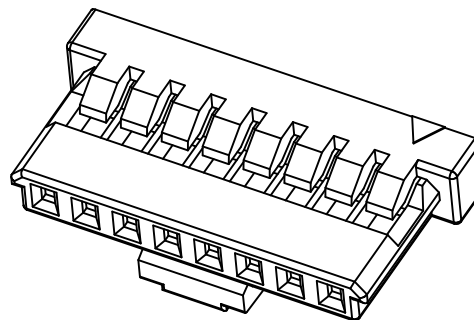
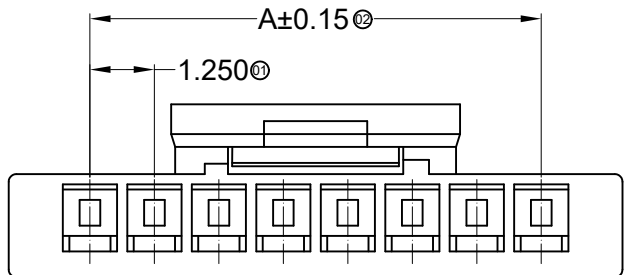
- ① Series No.
- ② Category: W-wafer
- ③ Welding Board Angle: V- Straight 180°
- ④ Welding Way: S-SMT
- ⑤ Row No.-Pin No.: XX-02P~30P
- ⑥ Plug the Pin & Special No.: A-With Lock
- ⑦ Material: 6T-PA6T 94V-0 ;
- ⑧ Planting Category: V01-Gold Flash ;
SN-Bright tin plating
- ⑨ Color: Blank-Natural Color



Poles	Dimensions(mm)			Poles	Dimensions(mm)		
	A	B	C		A	B	C
02	1.25	7.45	3.13	11	12.50	18.70	14.38
03	2.50	8.70	4.38	12	13.75	19.95	15.63
04	3.75	9.95	5.63	13	15.00	21.20	16.88
05	5.00	11.20	6.88	14	16.25	22.45	18.13
06	6.25	12.45	8.13	15	17.50	23.70	19.38
07	7.50	13.70	9.38	20	23.75	29.95	25.63
08	8.75	14.95	10.63	25	30.00	36.20	31.88
09	10.00	16.20	11.88	30	36.25	42.45	38.13
10	11.25	17.45	13.13				

9862WVS-XXA-6TV01	PA6T UL 94V-0	Brass	Gold-Flash	9862H-A
9862WVS-XXA-6TSN			Tin-Plated	
PART NO	Material (Wafer And Cap)	Material (Pin And Solder Tabs)	Finish (Pin And Solder Tabs)	Mates With ADZL Housing

							GENERAL TOLERANCE	 东莞市思量连接器有限公司 DONGGUAN ADZL CONNECTORS CO.,LTD.				PART NO. 9862WVS-XXA-6TXXX			
							.X ±0.30					TITLE 1.25mm Crimp Style Connectors			
							.XX ±0.20	APPROVAL	CHECK	DRAWN	DATA				
DATE	OLD REV	NEW REV	ECN	DESCRIPTION	CHECK	APPROVAL	PROJECT	Ken	Zhao Hong	Allen	2018/05/26	UNIT MM	SCALE 1:1	NUMBER	REV
							PROJECT								



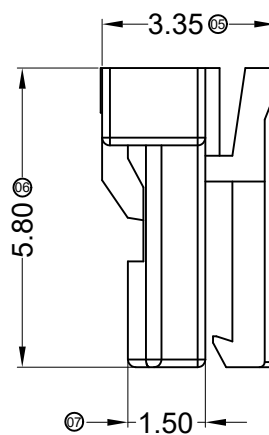
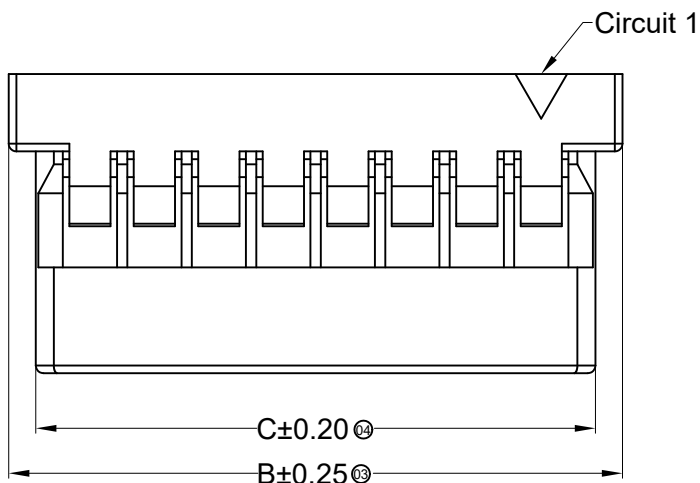
Specifications :

- Voltage rating: 150V AC / DC
- Current rating: 1A AC / DC
- Withstanding voltage: 500V AC/minute
- Temperature range: -25°C~+85°C
- Insulation resistance: ≥500MΩ
- Contact resistance: ≤30mΩ
- After environmental testing: ≤40mΩ

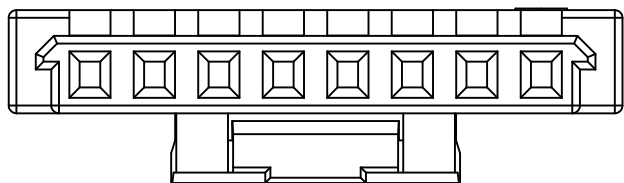
9862 H X-XX A-N0 XX XX

① ② ③ ④ ⑤ ⑥ ⑦ ⑧

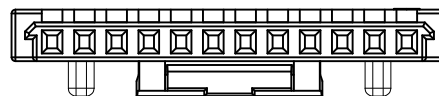
- ① Series No.
- ② Category: H-HSG
- ③ Welding Board Angle: Blank-ordinary
- ④ Row No.-Pin No.: XX-02P~30P
- ⑤ Plug the Pin & special No.: A-Contains buttons
- ⑥ Material: N0-PA66 94V-0
- ⑦ HF-Halogen Free
- ⑧ Color: Blank-Natural color BK-Black color



Poles	Dimensions(mm)			Poles	Dimensions(mm)		
	A	B	C		A	B	C
02	1.25	4.40	3.30	11	12.50	15.65	14.55
03	2.50	5.65	4.55	12	13.75	16.90	15.80
04	3.75	6.90	5.80	13	15.00	18.15	17.05
05	5.00	8.15	7.05	14	16.25	19.40	18.30
06	6.25	9.40	8.30	15	17.50	20.65	19.55
07	7.50	10.65	9.55	20	23.75	26.90	25.80
08	8.75	11.90	10.80	25	30.00	33.15	32.05
09	10.00	13.15	12.05	30	36.25	39.40	38.30
10	11.25	14.40	13.30				



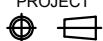
02P~10P Without Muscle
Scale 1:1



11P~30P With Muscle
Scale 1:2

9862H-XXA-N0HF	PA66 UL 94V-0 Halogen Free	9862T-A	9862W-A
9862H-XXA-N0	PA66 UL 94V-0		
PART NO	Material	Suitable ADZL Terminal	Mates With ADZL Wafer

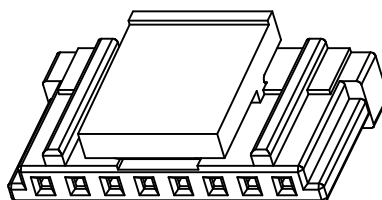
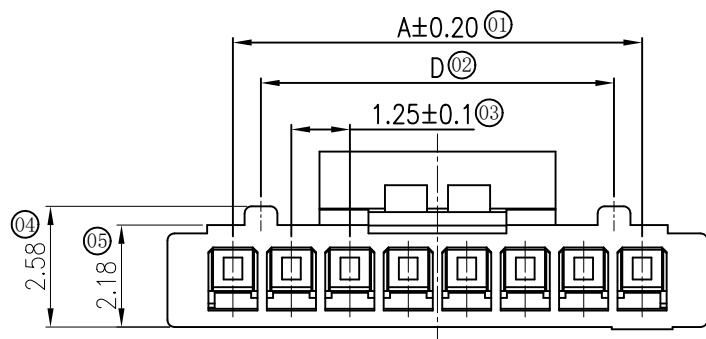
DATE	OLD REV	NEW REV	ECN	DESCRIPTION	CHECK	APPROVAL
		D				

GENERAL TOLERANCE	
.X	±0.30
.XX	±0.20
.XXX	±0.10
PROJECT	

 东莞市思量连接器有限公司
DONGGUAN ADZL CONNECTORS CO.,LTD.

APPROVAL	CHECK	DRAWN	DATA
Ken	Zhao Hong	Allen	2018/05/23

PART NO. 9862H-XXA-N0			
TITLE 1.25mm Crimp Style Connectors			
UNIT MM	SCALE 1:1	NUMBER A-009	REV F



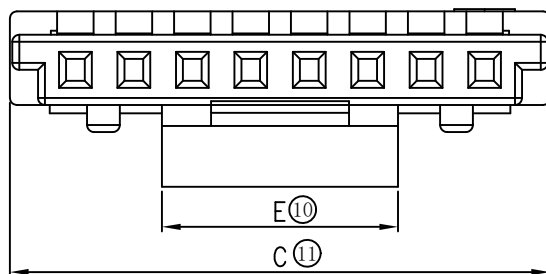
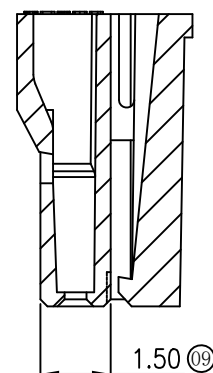
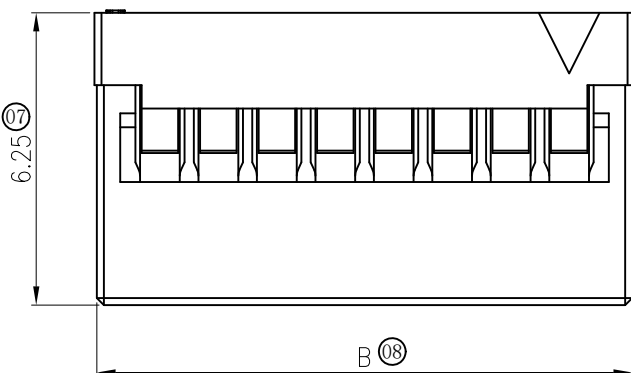
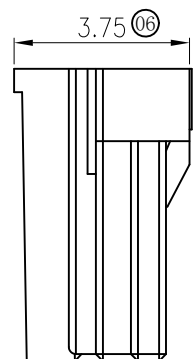
■ Specifications :

- Voltage rating: 150V AC / DC
- Current rating: 1A AC / DC
- Withstanding voltage: 500V AC/minute
- Temperature range: -25°C~+85°C
- Insulation resistance: ≥500MΩ
- Contact resistance: ≤30mΩ
- After environmental testing: ≤40mΩ
- Mates With ADZL Terminal: 9862T-PXXX-A-Y

9862 H X-XX A-N0 XX - Y

① ② ③ ④ ⑤ ⑥ ⑦ ⑧

- ① Series No.
- ② Category: H-HSG
- ③ Welding Board Angle: Blank-ordinary
- ④ Row No.-Pin No.: XX-02P~30P
- ⑤ Plug the Pin & special No.: A-Contains buttons
- ⑥ Material: N0-PA66 94V-0
- ⑦ Color: HF-Halogen Free
- ⑧ Mold No./Mark/Special No.Y-YH



Poles	DIM(mm)				
	A	B	C	D	E
2	1.25	4.05	4.05		
3	2.50	5.30	5.30	4.70	2.60
4	3.75	6.45	6.55	4.80	
5	5.00	7.70	7.80	6.00	3.60
6	6.25	8.95	9.05	7.20	
7	7.50	10.20	10.30	6.25	5.00
8	8.75	11.45	11.55	7.50	
9	10.00	12.70	12.80	8.75	8.90
10	11.25	13.95	14.05	10.00	
11	12.50	15.20	15.30	11.25	
12	13.75	16.45	16.55	12.50	
13	15.00	17.70	17.80	13.75	
14	16.25	18.95	19.05	15.00	
15	17.50	20.20	20.30	16.25	
16	18.75	21.45	21.55	17.50	

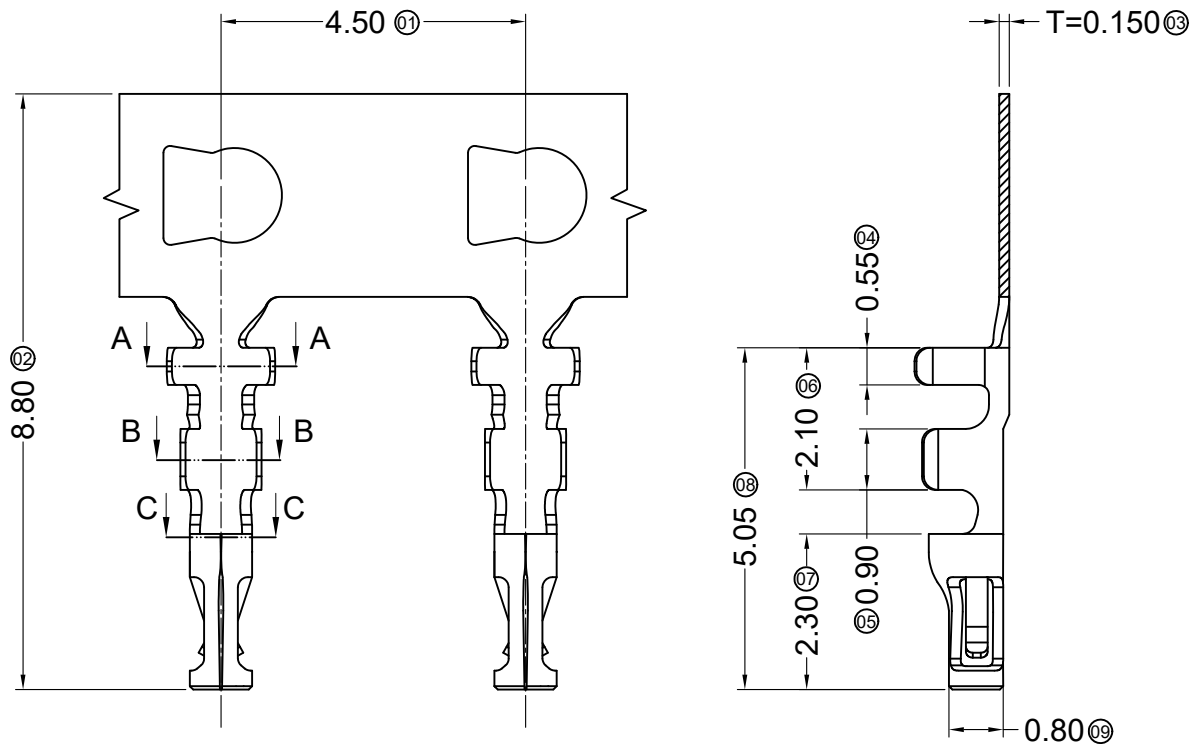
		D					
DATE	OLD REV	NEW REV	ECN	DESCRIPTION	CHECK	APPROVAL	

GENERAL TOLERANCE	
.X	±0.30
.XX	±0.20
.XXX	±0.10
PROJECT	

东莞市思量连接器有限公司
DONGGUAN ADZL CONNECTORS CO.,LTD.

APPROVAL	CHECK	DRAWN	DATA
Ken	Zhao Hong	Allen	2021/07/28

PART NO. 9862H-XXA-N0-Y			
TITLE 1.25mm Crimp Style Connectors			
UNIT MM	SCALE 1:1	NUMBER	REV

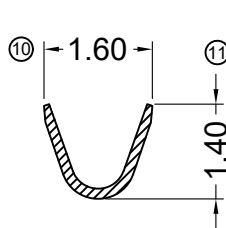


Specifications :

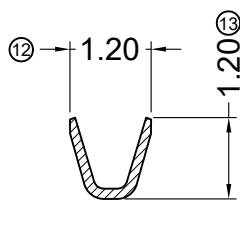
- Voltage rating: 150V AC / DC
- Current rating: 1A AC / DC
- Withstanding voltage: 500V AC/minute
- Temperature range: -25°C~+85°C
- Insulation resistance: ≥500MΩ
- Contact resistance: ≤30mΩ
- After environmental testing: ≤40mΩ

9862 T X-P XX X-A
 ① ② ③ ④ ⑤ ⑥ ⑦

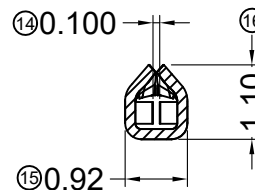
- ① Series Number
- ② Category: T-terminal
- ③ Shape: Blank-ordinary
- ④ Material: P-Phosphor bronze
- ⑤ Plating style: V01-Gold Flash ; SN-Bright tin plating
- ⑥ Plating method: Blank-Stamping before plating
- ⑦ A- Mating With Lock HSG



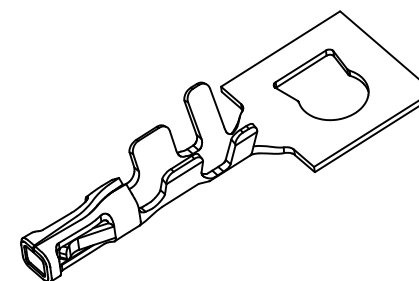
SECTION: A-A
SCALE: 1:1



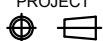
SECTION: B-B
SCALE: 1:1



SECTION: C-C
SCALE: 1:1



9862T-PV01-A	Phosphor Bronze	AWG#26-32	1.00mm(Max)	Stamping Before Pating:30u" Ni MIN.; Whole Gold :Gold Flash	9862H-A
9862T-PSN-A	Phosphor Bronze	AWG#26-32	1.00mm(Max)	Stamping Before Plating:30u" MIN. Ni;70u"Sn MIN.	
PART NO	Material	Wire Range	Insulation O.D.	Finish	Used In ADZL Housing

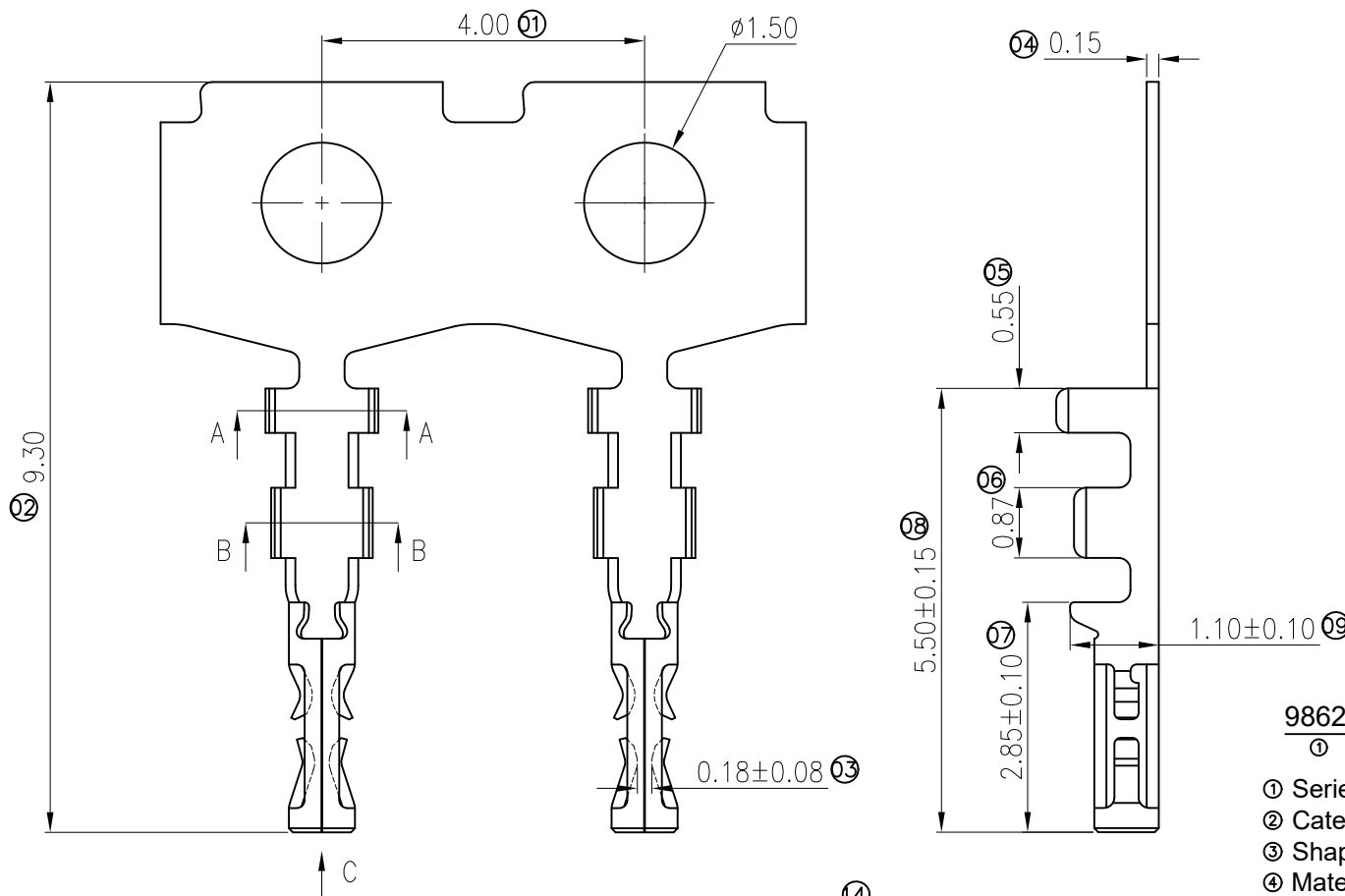
DATE	OLD REV	NEW REV	ECN	DESCRIPTION	CHECK	APPROVAL	PROJECT
							

GENERAL TOLERANCE
.X ±0.30
.XX ±0.20
.XXX ±0.10

 东莞市思量连接器有限公司
DONGGUAN ADZL CONNECTORS CO.,LTD.

APPROVAL	CHECK	DRAWN	DATA
Ken	Zhao Hong	Allen	2018/05/10

PART NO. 9862T-PXX-A			
TITLE 1.25mm Crimp Style Connectors			
UNIT MM	SCALE 1:1	NUMBER	REV

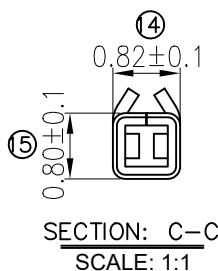
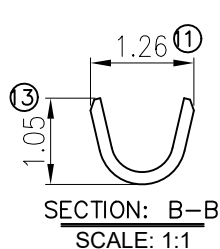
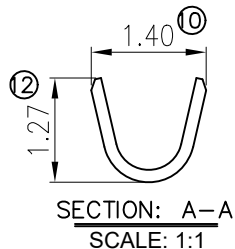


■ Specifications :

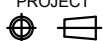
- Voltage rating: 150V AC / DC
- Current rating: 1A AC / DC
- Withstanding voltage: 500V AC/minute
- Temperature range: $-25^{\circ}\text{C} \sim +85^{\circ}\text{C}$
- Insulation resistance: $\geq 500\text{M}\Omega$
- Contact resistance: $\leq 30\text{m}\Omega$
- After environmental testing: $\leq 40\text{m}\Omega$

9862 T X - P XXX X - A - Y
 ① ② ③ ④ ⑤ ⑥ ⑦ ⑧

- ① Series Number
- ② Category: T-terminal
- ③ Shape: Blank-ordinary
- ④ Material: P-Phosphor bronze
- ⑤ Plating style: V01-Gold Flash ; SN-Bright tin plating ;
- ⑥ Plating method: Blank-Stamping before plating
- ⑦ A- Mating With Lock HSG
- ⑧ Mold No./Mark/Special No.Y-YH



9862T-PV01-A-Y	Phosphor Bronze	AWG#28-32	0.9mm(Max)	Stamping Before Pating:30u" Ni;Whole Gold :Gold Flash	9862H-XXXA-N0-Y
9862T-PSN-A-Y				Stamping Before Pating:30u" Ni;70u"Sn Min.	
PART NO	Material	Wire Range	Insulation O.D.	Finish	Used In ADZL Housing

DATE	OLD REV	NEW REV	ECN	DESCRIPTION	CHECK	APPROVAL	PROJECT
							

GENERAL TOLERANCE	
.X	± 0.30
.XX	± 0.20
.XXX	± 0.10

 东莞市思量连接器有限公司 DONGGUAN ADZL CONNECTORS CO.,LTD.			
APPROVAL	CHECK	DRAWN	DATA
Ken	Zhao Hong	Allen	2021/07/28

PART NO. 9862T-PXXX-A-Y			
TITLE 1.25mm Crimp Style Connectors			
UNIT MM	SCALE 1 : 1	NUMBER	REV