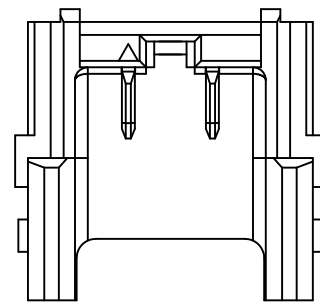
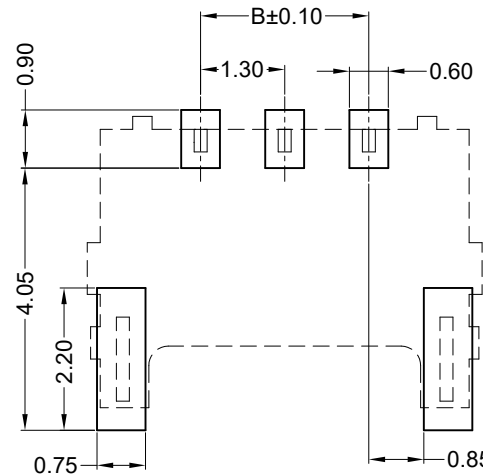
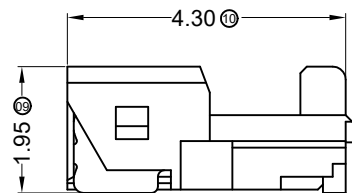
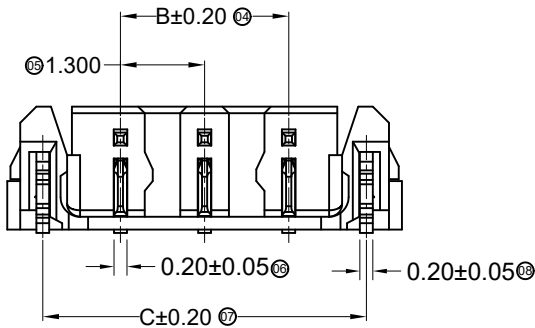
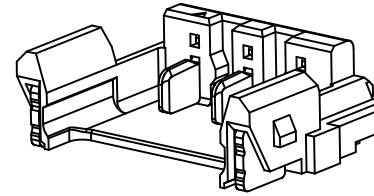


3~12Pin Shape



2Pin Shape



Recommended P.C.B Layout
General Tolerance±0.05

■ Specifications :

- Voltage rating: 30V AC / DC
- Current rating: 3.0A AC / DC
- Withstanding voltage: 500V AC/minute
- Temperature range: -25°C~+85°C
- Insulation resistance:≥100MΩ
- Contact resistance: ≤20mΩ
- After environmental testing: ≤40mΩ
- Mates With ADZL Housing:1300H

1300 W R S-1xXX-4T X H 10 R H 001 F
① ②③④ ⑤ ⑥ ⑦⑧⑨⑩⑪ ⑫ ⑬

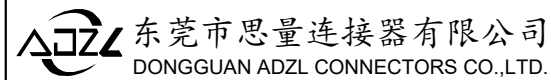
- ① Series No.
- ② Category: W-wafer
- ③ Welding Board Angle: R- 90°
- ④ Welding Way: S-SMT
- ⑤ Row No.-Pin No.: 1xXX-1x02~1x12P
- ⑥ Plastic material: 4T-PA4T 94V-0 ;
- ⑦ Color: B-Black; N-Natural
- ⑧ Metal material:H-High conductivity copper
- ⑨ Planting Category: 10-All Gold Flash
- ⑩ Packag: R-Reel
- ⑪ Green code: H-Halogen-Free
- ⑫ Water code:001
- ⑬ F-Other Connectors

| Poles | Dimensions (mm) | | |
|-------|-----------------|-------|-------|
| | A | B | C |
| 1x02 | 4.40 | 1.30 | 3.70 |
| 1x03 | 5.70 | 2.60 | 5.00 |
| 1x04 | 7.00 | 3.90 | 6.30 |
| 1x05 | 8.30 | 5.20 | 7.60 |
| 1x06 | 9.60 | 6.50 | 8.90 |
| 1x07 | 10.90 | 7.80 | 10.20 |
| 1x08 | 12.20 | 9.10 | 11.50 |
| 1x09 | 13.50 | 10.40 | 12.80 |
| 1x10 | 14.80 | 11.70 | 14.10 |
| 1x11 | 16.10 | 13.00 | 15.40 |
| 1x12 | 17.40 | 14.30 | 16.70 |

| DATE | OLD REV | NEW REV | ECN | DESCRIPTION | CHECK | APPROVAL |
|------|---------|---------|-----|-------------|-------|----------|
| | | | | | | |

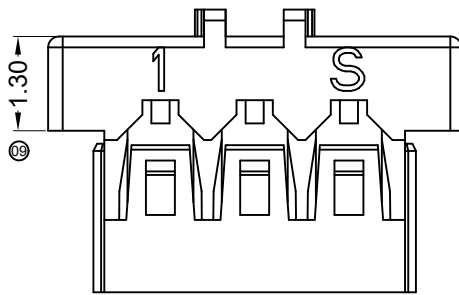
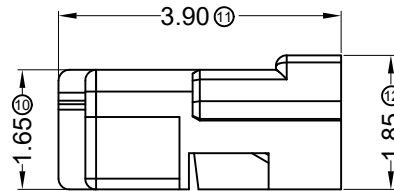
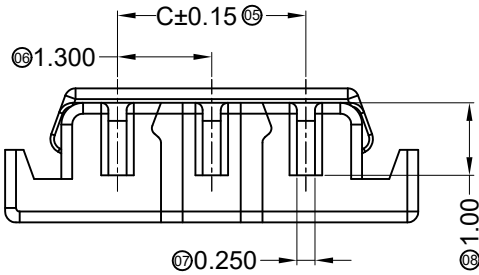
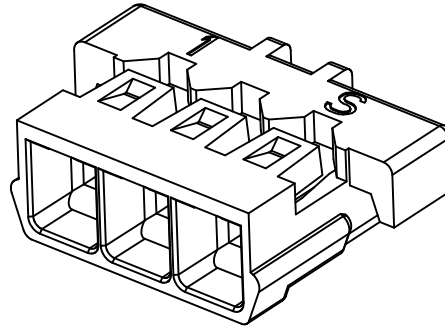
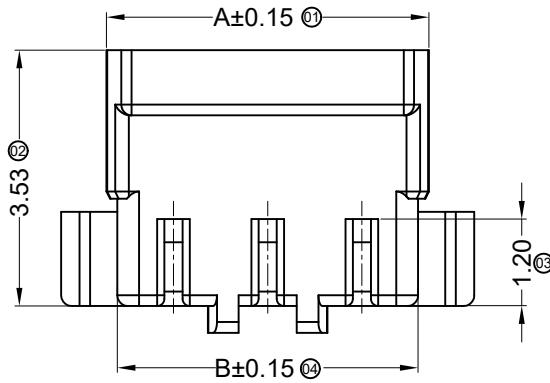
| | |
|-------------------|-------|
| GENERAL TOLERANCE | |
| .X | ±0.30 |
| .XX | ±0.20 |
| .XXX | ±0.10 |

| | |
|---------|--|
| PROJECT | |
|---------|--|

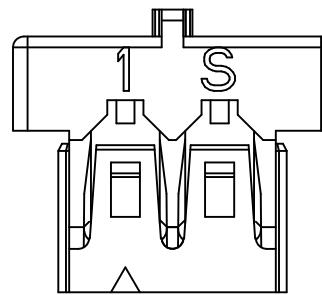


| | | | |
|----------|-----------|-------|------------|
| APPROVAL | CHECK | DRAWN | DATA |
| Ken | Zhao Hong | Allen | 2018/09/27 |

| | | | |
|--------------------------------|-------|--------|-----|
| PART NO. | | | |
| 1300WRS-1xXX-4TXH10RH001F | | | |
| TITLE | | | |
| 1.30 mm Crimp Style Connectors | | | |
| UNIT | SCALE | NUMBER | REV |
| MM | 1:1 | | |



3~12Pin Shape



2Pin Shape

Specifications :

- Voltage rating: 30V AC / DC
- Current rating: 3.0A AC / DC
- Withstanding voltage: 500V AC/minute
- Temperature range: -25°C~+85°C
- Insulation resistance: ≥100MΩ
- Contact resistance: ≤20mΩ
- After environmental testing: ≤40mΩ
- Suitable ADZL Terminal: 1300T
- Suitable ADZL Wafer: 1300WRS

1300 H X-1xXX- NX N B H 01 F
 ① ② ③ ④ ⑤ ⑥ ⑦ ⑧ ⑨ ⑩

- ① Series No.
- ② Category: H-Housing
- ③ Welding Board Angle: Blank-ordinary
- ④ Row No.-Pin No.: 1xXX-1x02~1x12P
- ⑤ Material: N0-PA66 94V-0
 NL-PA66 94V-0 cream-colored
- ⑥ Color: N-natural color
- ⑦ Packag: B-Bag
- ⑧ Green code: H-Halogen Free
- ⑨ Water code:01
- ⑩ F-Other Connectors

| Poles | Dimensions(mm) | | |
|-------|----------------|-------|-------|
| | A | B | C |
| 1x02 | 3.15 | 2.85 | 1.30 |
| 1x03 | 4.45 | 4.15 | 2.60 |
| 1x04 | 5.75 | 5.45 | 3.90 |
| 1x05 | 7.05 | 6.75 | 5.20 |
| 1x06 | 8.35 | 8.05 | 6.50 |
| 1x07 | 9.65 | 9.35 | 7.80 |
| 1x08 | 10.95 | 10.65 | 9.10 |
| 1x09 | 12.25 | 11.95 | 10.40 |
| 1x10 | 13.55 | 13.25 | 11.70 |
| 1x11 | 14.85 | 14.55 | 13.00 |
| 1x12 | 16.15 | 15.85 | 14.30 |

| DATE | OLD REV | NEW REV | ECN | DESCRIPTION | CHECK | APPROVAL |
|------|---------|---------|-----|-------------|-------|----------|
| | | | | | | |

GENERAL TOLERANCE
 .X ±0.30
 .XX ±0.20
 .XXX ±0.10

PROJECT

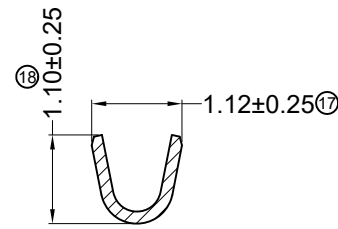
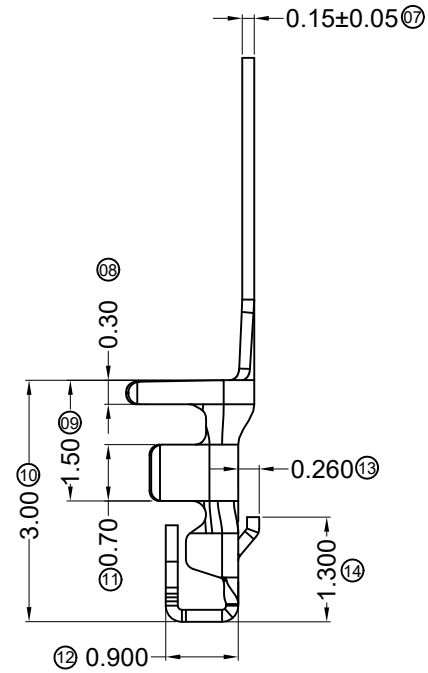
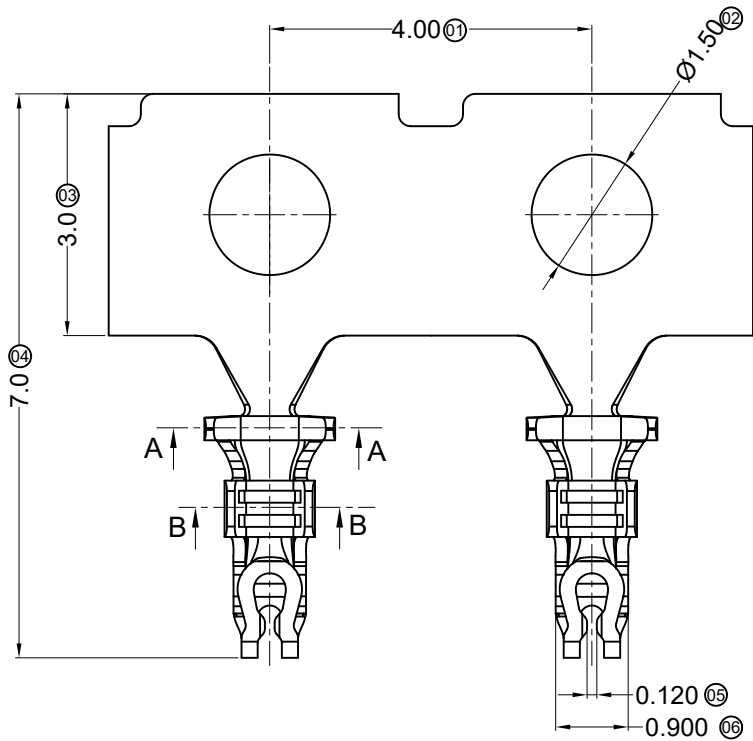
ADZL 东莞市思量连接器有限公司
 DONGGUAN ADZL CONNECTORS CO.,LTD.

APPROVAL: Ken
 CHECK: Zhao Hong
 DRAWN: Allen
 DATA: 2018/09/027

PART NO. 1300H-1xXX-NXNBH01F

TITLE 1.30 mm Crimp Style Connectors

| UNIT | SCALE | NUMBER | REV |
|------|-------|--------|-----|
| MM | 1:1 | | |



SECTION A-A
SCALE 1:1

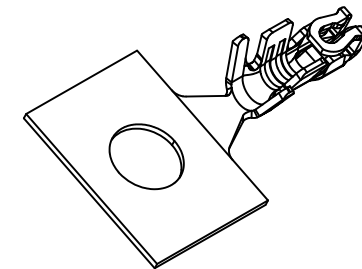
SECTION B-B
SCALE 1:1

Specifications :

- Voltage rating: 30V AC / DC
- Current rating: 3.0A AC / DC
- Withstanding voltage: 500V AC/minute
- Temperature range: -25°C~+85°C
- Insulation resistance: ≥100MΩ
- Contact resistance: ≤20mΩ
- After environmental testing: ≤40mΩ
- Wire Range: AWG#26~28
- Insulation O.D:0.98mm (Max)
- Used In ADZL Housing:1300H

1300 T X X-H 10 S X-01 F
① ② ③ ④ ⑤ ⑥ ⑦ ⑧ ⑨ ⑩

- ① Series Number
- ② Category: T-terminal
- ③ Shape: Blank-ordinary
- ④ Appearance encoding: Blank-Ordinary
- ⑤ Material: H-High conductivity copper
- ⑥ Plating style: 10- Whole Gold :Gold Flash
- ⑦ Plating method : S-Stamping before plating
- ⑧ Special No: Blank-Normal Leads
- ⑨ Water code:01
- ⑩ F-Other Connectors



| | | | | | | |
|------|---------|---------|-----|-------------|-------|----------|
| DATE | OLD REV | NEW REV | ECN | DESCRIPTION | CHECK | APPROVAL |
| | | | | | | |

| | |
|-------------------|-----------|
| GENERAL TOLERANCE | X ±0.30 |
| | XX ±0.20 |
| | XXX ±0.10 |
| PROJECT | |

| | | | |
|---|-----------|-------|------------|
| 东莞市思量连接器有限公司 DONGGUAN ADZL CONNECTORS CO.,LTD. | | | |
| APPROVAL | CHECK | DRAWN | DATA |
| Ken | Zhao Hong | Allen | 2018/09/27 |

| | | | |
|--------------------------------------|-----------|--------|-----|
| PART NO. 1300T-H10S-01F | | | |
| TITLE 1.30 mm Crimp Style Connectors | | | |
| UNIT MM | SCALE 1:1 | NUMBER | REV |
| | | | |