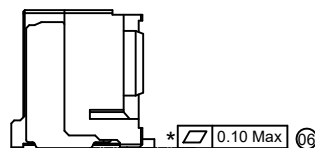
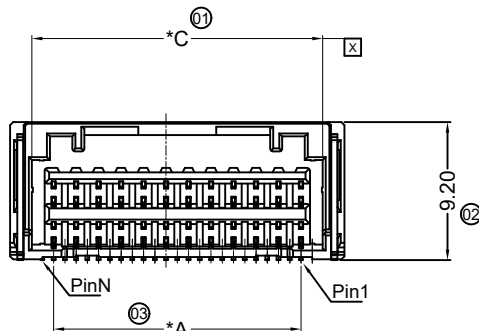


Specifications :

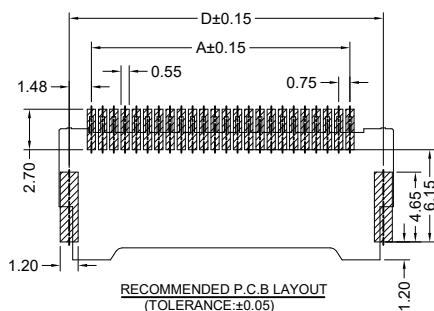
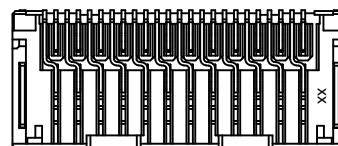
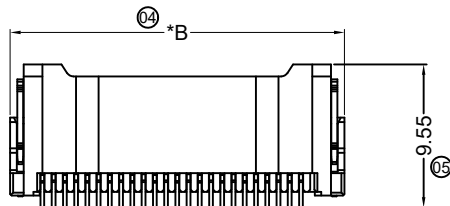
- Voltage rating: 100V AC / DC
- Current rating: 2A AC / DC
- Withstanding voltage: 500V AC/minute
- Temperature range: -40°C~+105°C
- Insulation resistance: ≥500MΩ
- Contact resistance: ≤20mΩ
- After environmental testing: ≤40mΩ



1515 WRS - 2*XX X- LP SW XX

① ②③④ ⑤ ⑥ ⑦ ⑧ ⑨

- ① Series No.
- ② Category: W-wafer
- ③ Welding Board Angle: R- Straight 90°
- ④ Welding Way: S-SMT
- ⑤ Row No.-Pin No.: 2*XX-2*04P~20*17P
- ⑥ Plug the Pin & Special No.:
- ⑦ Material: LP -LCP 94V-0 ;
- ⑧ Planting Category:
SW-Ni50u" min,matte TIN 100u"min
- ⑨ Color: Blank-Natural Color



1515WRS-2*XX-LPSW	LCP UL 94V-0	Phosphor Bronze	Brass	Matte Tin-Plated	1515H-2*XX
PART NO	Material	Material(Pin)	Material (Solder Tabs)	Finish (Pin And Solder Tabs)	Mates With ADZL Housing

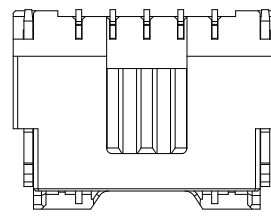
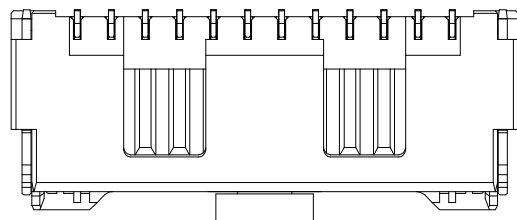
Poles	Dimensions (mm)				Poles	Dimensions (mm)			
	A	B	C	D		A	B	C	D
2*04	4.50	10.30	7.40	8.95	2*11	15.00	20.80	17.90	19.45
2*05	6.00	11.80	8.90	10.45	2*12	16.50	22.30	19.40	20.95
2*06	7.50	13.30	10.40	11.95	2*13	18.00	23.80	20.90	22.45
2*07	9.00	14.80	11.90	13.45	2*14	19.50	25.30	22.40	23.95
2*08	10.50	16.30	13.40	14.95	2*15	21.00	26.80	23.90	25.45
2*09	12.00	17.80	14.90	16.45	2*16	22.50	28.30	25.40	26.95
2*10	13.50	19.30	16.40	17.95	2*17	24.00	29.80	26.90	28.45

				GENERAL TOLERANCE			
				.X ±0.30			
				.XX ±0.20			
				.XXX ±0.10			
DATE	OLD REV	NEW REV	ECN	DESCRIPTION	MODIFY	APPROVAL	PROJECT

ADZL 东莞市思量连接器有限公司
DONGGUAN ADZL CONNECTORS CO.,LTD.

APPROVAL	CHECK	DRAWN	DATE
Ken	Zhao Hong	Allen	2022.02.15

PART NO.			
1515WRS-2*XXX-LPSWXX			
TITLE			
1.50mm Crimp Style Connectors			
UNIT	SCALE	NUMBER	REV
MM	1 : 1		



2*04P~2*05P Shape
Scale 1:1

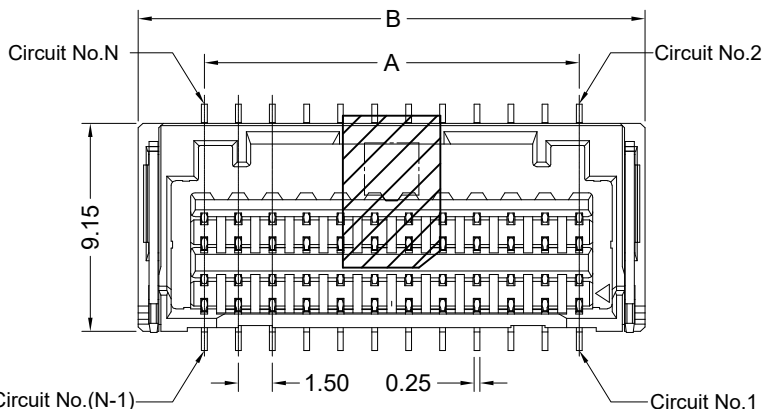
2*15P~2*17P Shape
Scale 2:1

Specifications :

- Voltage rating: 100V AC / DC
- Current rating: 2A AC / DC
- Withstanding voltage: 500V AC/minute
- Temperature range: -40°C~+105°C
- Insulation resistance: ≥500MΩ
- Contact resistance: ≤20mΩ
- After environmental testing: ≤40mΩ

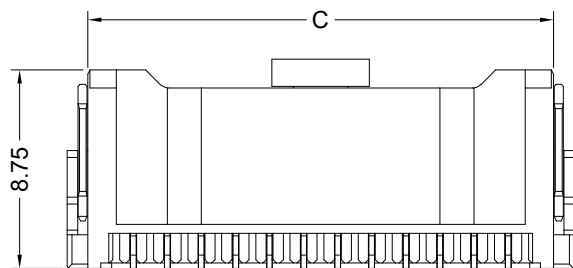
1515 W V S - 2*XX X- LP SW XX
① ② ③ ④ ⑤ ⑥ ⑦ ⑧ ⑨

- ① Series No.
- ② Category: W-wafer
- ③ Welding Board Angle: V- Straight 180°
- ④ Welding Way: S-SMT
- ⑤ Row No.-Pin No.: 2*04-2*17P
- ⑥ Plug the Pin & Special No.:
- ⑦ Material: LP -LCP 94V-0 ;
- ⑧ Planting Category: SW-Ni50u" min,matte TIN 100u"min
- ⑨ Color: Blank-Natural Color



Poles	Dimensions (mm)			Poles	Dimensions (mm)		
	A	B	C		A	B	C
2*04	4.50	10.30	8.50	2*11	15.00	20.80	19.00
2*05	6.00	11.80	10.00	2*12	16.50	22.30	20.50
2*06	7.50	13.30	11.50	2*13	18.00	23.80	22.00
2*07	9.00	14.80	13.00	2*14	19.50	25.30	23.50
2*08	10.50	16.30	14.50	2*15	21.00	26.80	25.00
2*09	12.00	17.80	16.00	2*16	22.50	28.30	26.50
2*10	13.50	19.30	17.50	2*17	24.00	29.80	28.00

1515WVS-2*XX-LPSW	LCP UL 94V-0	Phosphor Bronze	Brass	Matte Tin-Plated	1515H-2*XX
PART NO	Material	Material(Pin)	Material (Solder Tabs)	Finish (Pin And Solder Tabs)	Mates With ADZL Housing



GENERAL TOLERANCE

.X	±0.30
.XX	±0.20
.XXX	±0.10

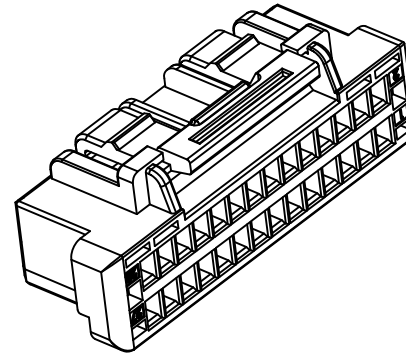
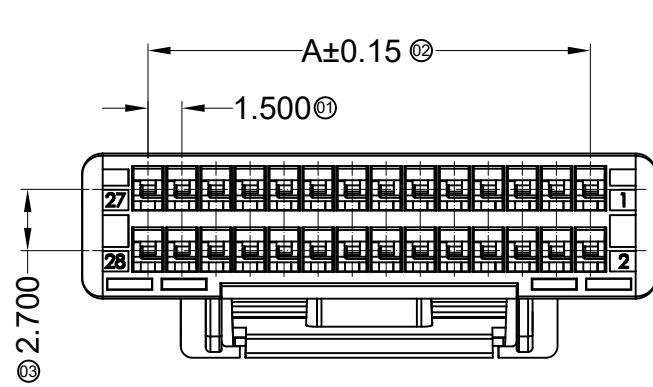
 东莞市思量连接器有限公司
DONGGUAN ADZL CONNECTORS CO.,LTD.

APPROVAL	CHECK	DRAWN	DATA
Ken	Zhao Hong	Allen	2021/3/2

PART NO.			
1515WVS-2*XX-LPSW			
TITLE			
1.50mm Crimp Style Connectors			
UNIT	SCALE	NUMBER	REV
MM	1 : 1		

DATE	OLD REV	NEW REV	ECN	DESCRIPTION	CHECK	APPROVAL



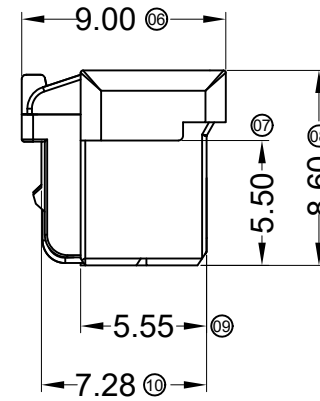
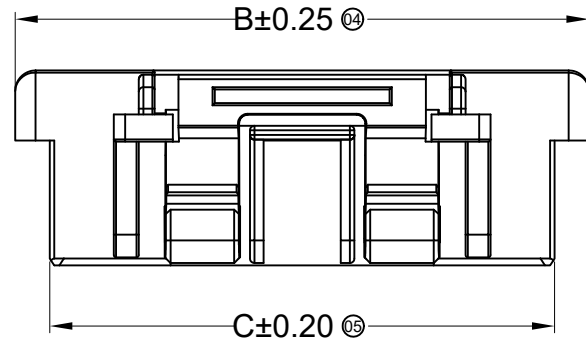


■ Specifications :

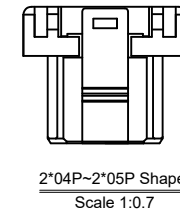
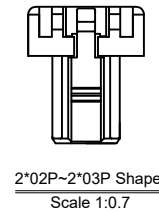
- Voltage rating: 100V AC / DC
- Current rating: 2A AC / DC
- Withstanding voltage: 500V AC/minute
- Temperature range: -25°C~+85°C
- Insulation resistance: ≥500MΩ
- Contact resistance: ≤20mΩ
- After environmental testing: ≤40mΩ

1515 H X-2*XX X-PT XX
 (01) (02) (03) (04) (05) (06) (07)

- (01) Series No.
- (02) Category: H-HSG
- (03) Appearance type: Blank-Ordinary
- (04) Row No.-Pin No.: 2*XX-2*02~2*15P
- (05) Plug the Pin & Special No. Blank-Ordinary
- (06) Material : PT-PBT 94V-0
- (07) Color: Blank-Natural Color



2*06P~2*15P Shape
 Scale 1:1

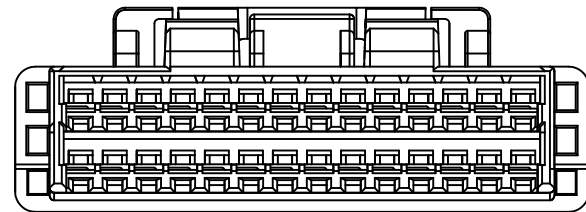


2*02P~2*03P Shape
 Scale 1:0.7

2*04P~2*05P Shape
 Scale 1:0.7

Poles	Dimensions (mm)			Poles	Dimensions (mm)		
	A	B	C		A	B	C
2*02	1.50	7.30	4.25	2*09	12.00	17.80	14.75
2*03	3.00	8.80	5.75	2*10	13.50	19.30	16.25
2*04	4.50	10.30	7.25	2*11	15.00	20.80	17.75
2*05	6.00	11.80	8.75	2*12	16.50	22.30	19.25
2*06	7.50	13.30	10.25	2*13	18.00	23.80	20.75
2*07	9.00	14.80	11.75	2*14	19.50	25.30	22.25
2*08	10.50	16.30	13.25	2*15	21.00	26.80	23.75

1515H-2*XX-PT	PBT UL 94V-0	1515T	1515W
PART NO	Material	Suitable ADZL Terminal	Mates With ADZL Wafer

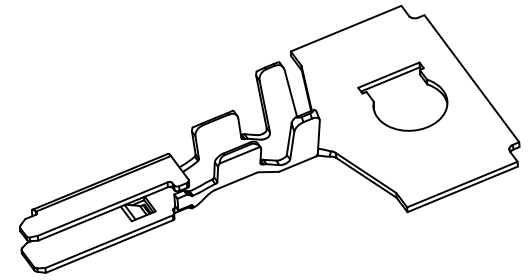
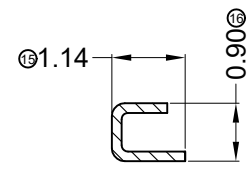
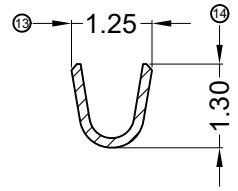
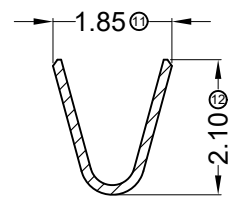
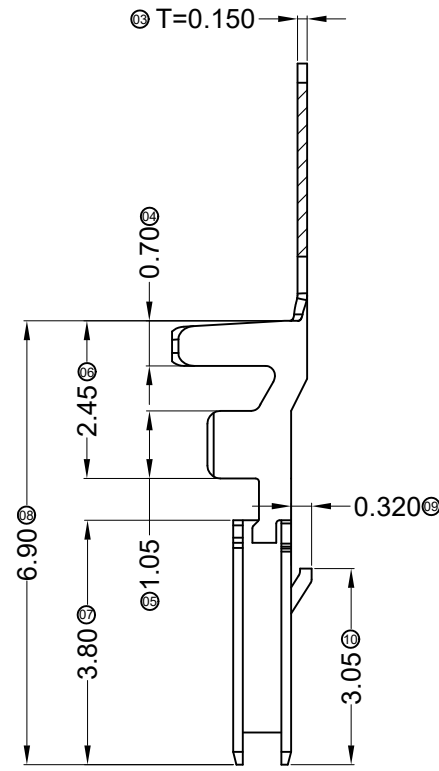
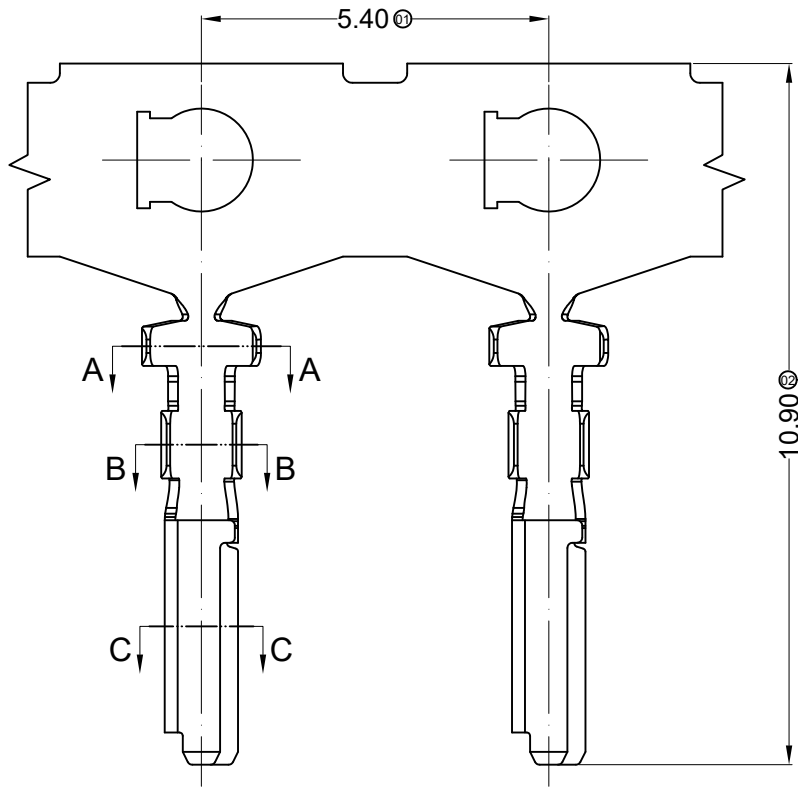


DATE	OLD REV	NEW REV	ECN	DESCRIPTION	CHECK	APPROVAL

GENERAL TOLERANCE	X ±0.30
	.XX ±0.20
	.XXX ±0.10
PROJECT	

东莞市思量连接器有限公司 DONGGUAN ADZL CONNECTORS CO.,LTD.			
APPROVAL	CHECK	DRAWN	DATA
Ken	Zhao Hong	Allen	2017/03/27

PART NO. 1515H-2*XX-PT			
TITLE 1.50mm Crimp Style Connectors			
UNIT MM	SCALE 1:1	NUMBER	REV



■ Specifications :

- Voltage rating: 100V AC / DC
- Current rating: 2A AC / DC
- Withstanding voltage: 500V AC/minute
- Temperature range: -25°C~+85°C
- Insulation resistance: ≥500MΩ
- Contact resistance: ≤20mΩ
- After environmental testing: ≤40mΩ

1515 T X-P SN X - X
① ② ③ ④ ⑤ ⑥ ⑦

- ① Series Number
- ② Category: T-terminal
- ③ Shape: Blank-ordinary
- ④ Material: P-Phosphor bronze
- ⑤ Plating style: SN-Bright tin plating
- ⑥ Plating method: Blank-Stamping before plating
- ⑦ Mold No./Mark/Special No.

1515T-PSN	Phosphor Bronze	AWG#24-28	1.28mm(Max)	Stamping Before Plating:30u"MIN. Ni; 70u"Sn	1515H
PART NO	Material	Wire Range	Insulation O.D.	Finish	Used In ADZL Housing

DATE	OLD REV	NEW REV	ECN	DESCRIPTION	CHECK	APPROVAL

GENERAL TOLERANCE
 .X ±0.30
 .XX ±0.20
 .XXX ±0.10

PROJECT

ADZL 东莞市思量连接器有限公司
 DONGGUAN ADZL CONNECTORS CO.,LTD.

APPROVAL	CHECK	DRAWN	DATE
Ken	Zhao Hong	Allen	2017/06/15

PART NO. 1515T-PSN			
TITLE 1.50mm Crimp Style Connectors			
UNIT MM	SCALE 1:1	NUMBER	REV