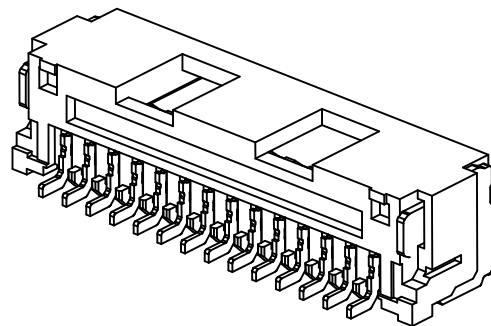


06P-15P Double Hole
Scale 1:1

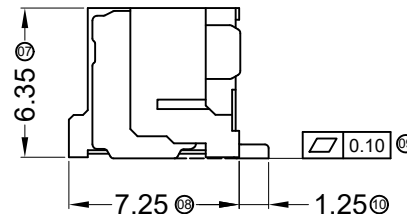
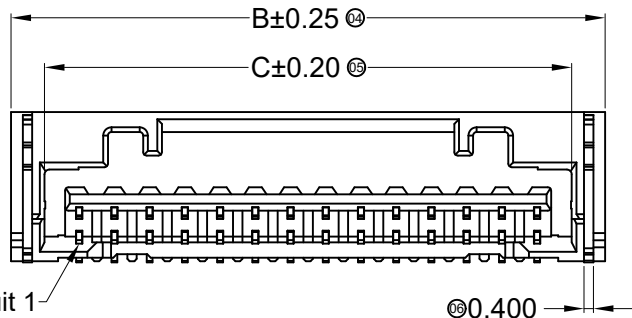


■ Specifications :

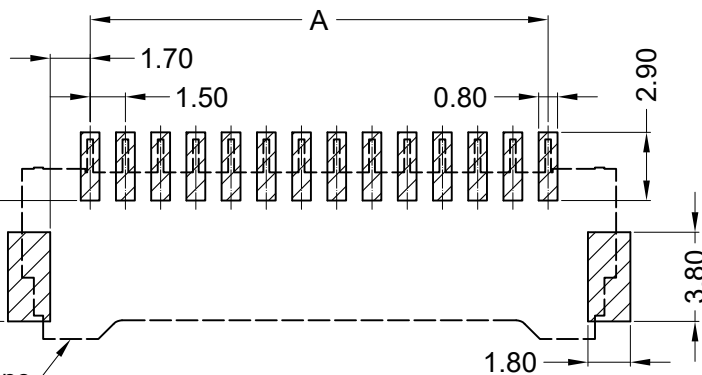
- Voltage rating: 100V AC / DC
- Current rating: 2A AC / DC
- Withstanding voltage: 500V AC/minute
- Temperature range: -40°C~+105°C
- Insulation resistance: ≥500MΩ
- Contact resistance: ≤20mΩ
- After environmental testing: ≤40mΩ

1515 W R S-XX X- LP SW XX
① ② ③ ④ ⑤ ⑥ ⑦ ⑧ ⑨

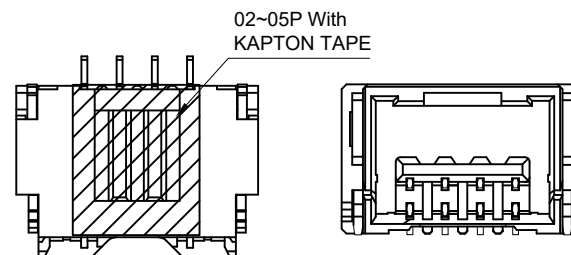
- ① Series No.
- ② Category: W-wafer
- ③ Welding Board Angle: R- Right angle 90°
- ④ Welding Way: S-SMT
- ⑤ Row No.-Pin No.: XX-02P~15P
- ⑥ Plug the Pin & Special No.:
- ⑦ Material: LP -LCP 94V-0 ;
- ⑧ Planting Category: SW- Matte Tin Plating
- ⑨ Color: Blank-Natural Color



Circuit 1



Recommended P.C.B Layout
General Tolerance±0.05



02P-05P Single Hole
Scale 1:1

Poles	Dimensions (mm)		
	A	B	C
02	1.50	7.30	4.45
03	3.00	8.80	5.95
04	4.50	10.30	7.45
05	6.00	11.80	8.95
06	7.50	13.30	10.45
07	9.00	14.80	11.95
08	10.50	16.30	13.45
09	12.00	17.80	14.95
10	13.50	19.30	16.45
11	15.00	20.80	17.95
12	16.50	22.30	19.45
13	18.00	23.80	20.95
14	19.50	25.30	22.45
15	21.00	26.80	23.95

1515WRS-XX-LPSW	LCP UL 94V-0	Phosphor Bronze	Brass	Matte Tin-Plated	1515H
PART NO	Material	Material(Pin)	Material (Solder Tabs)	Finish (Pin And Solder Tabs)	Mates With ADZL Housing

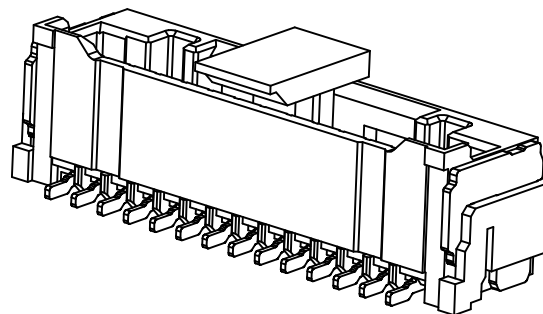
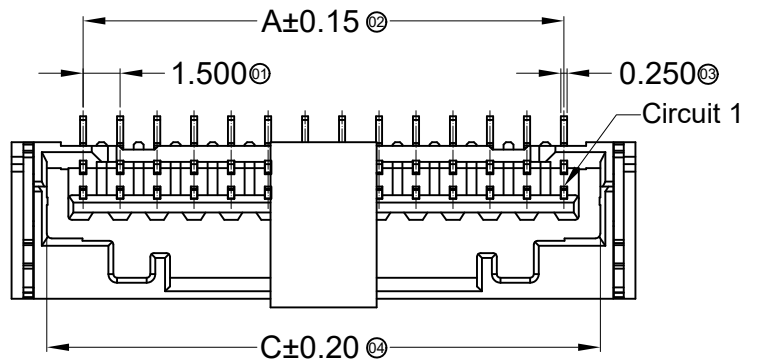
DATE	OLD REV	NEW REV	ECN	DESCRIPTION	CHECK	APPROVAL

GENERAL TOLERANCE
.X ±0.30
.XX ±0.20
.XXX ±0.10

ADZL 东莞市思量连接器有限公司
DONGGUAN ADZL CONNECTORS CO.,LTD.

APPROVAL	CHECK	DRAWN	DATE
Ken	Zhao Hong	Allen	2017/05/16

PART NO. 1515WRS-XX-LPSW			
TITLE 1.50mm Crimp Style Connectors			
UNIT MM	SCALE 1:1	NUMBER	REV

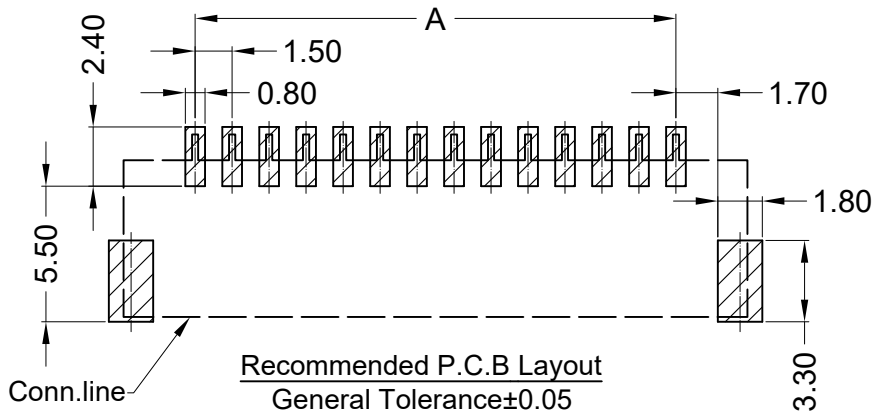
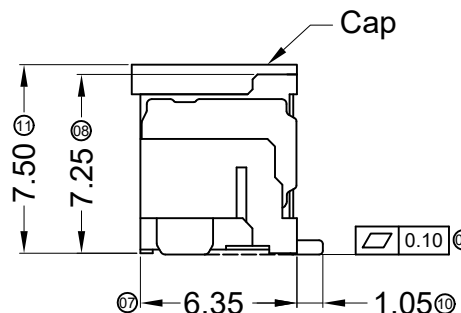
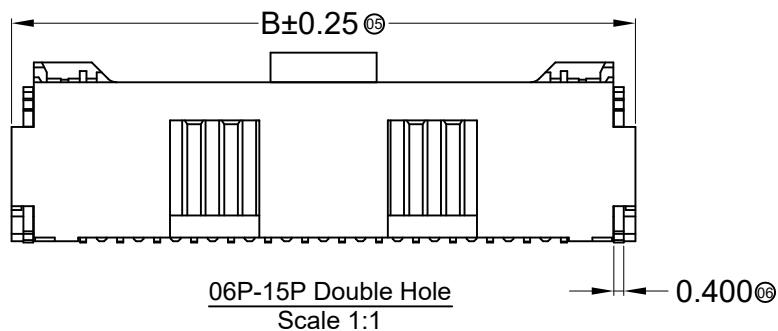


■ Specifications :

- Voltage rating: 100V AC / DC
- Current rating: 2A AC / DC
- Withstanding voltage: 500V AC/minute
- Temperature range: -40°C~+105°C
- Insulation resistance: ≥500MΩ
- Contact resistance: ≤20mΩ
- After environmental testing: ≤40mΩ

1515 W V S-XX X- LP SW XX
① ② ③ ④ ⑤ ⑥ ⑦ ⑧ ⑨

- ① Series No.
- ② Category: W-wafer
- ③ Welding Board Angle: V- Straight 180°
- ④ Welding Way: S-SMT
- ⑤ Row No.-Pin No.: XX-02P~15P
- ⑥ Plug the Pin & Special No.:
- ⑦ Material: LP -LCP 94V-0 ;
- ⑧ Planting Category: SW- Matte Tin Plating
- ⑨ Color: Blank-Natural Color



Poles	Dimensions (mm)			Poles	Dimensions (mm)		
	A	B	C		A	B	C
02	1.50	7.30	4.45	09	12.00	17.80	14.95
03	3.00	8.80	5.95	10	13.50	19.30	16.45
04	4.50	10.30	7.45	11	15.00	20.80	17.95
05	6.00	11.80	8.95	12	16.50	22.30	19.45
06	7.50	13.30	10.45	13	18.00	23.80	20.95
07	9.00	14.80	11.95	14	19.50	25.30	22.45
08	10.50	16.30	13.45	15	21.00	26.80	23.95

1515WVS-XX-LPSW	LCP UL 94V-0	Phosphor Bronze	Brass	Matte Tin-Plated	1515H
PART NO	Material	Material(Pin)	Material (Solder Tabs)	Finish (Pin And Solder Tabs)	Mates With ADZL Housing

DATE	OLD REV	NEW REV	ECN	DESCRIPTION	CHECK	APPROVAL

GENERAL TOLERANCE
.X ±0.30
.XX ±0.20
.XXX ±0.10

PROJECT
⊕ ⊖

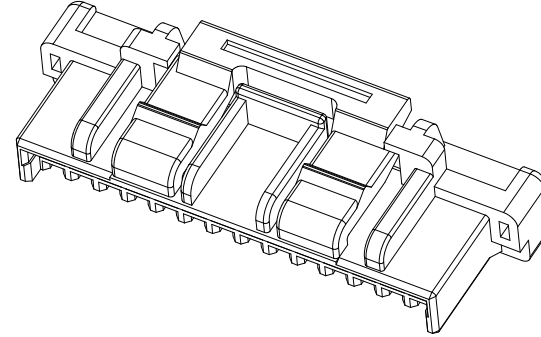
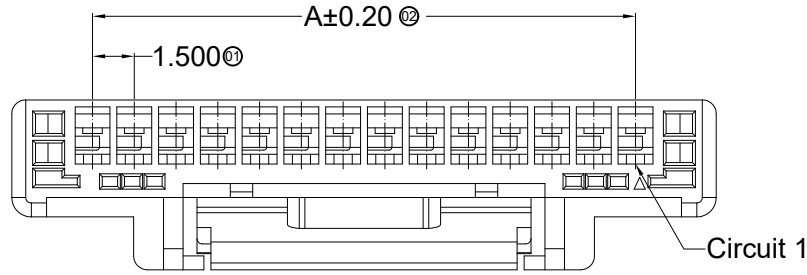
ADZL 东莞市思量连接器有限公司
DONGGUAN ADZL CONNECTORS CO.,LTD.

APPROVAL	CHECK	DRAWN	DATE
Ken	Zhao Hong	Allen	2017/05/16

PART NO. 1515WVS-XX-LPSW

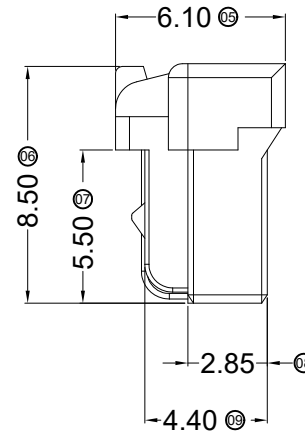
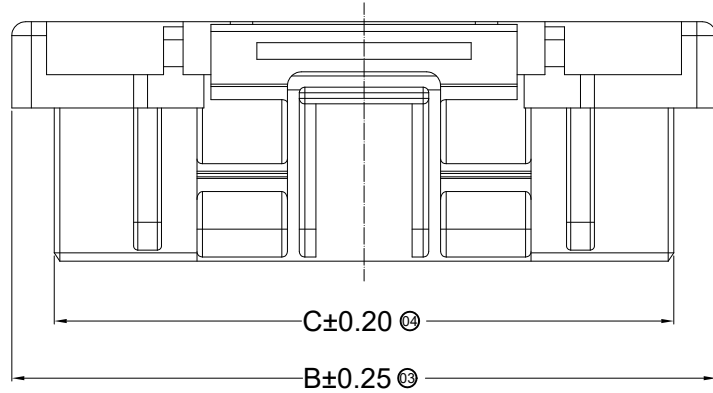
TITLE 1.50mm Crimp Style Connectors

UNIT MM	SCALE 1:1	NUMBER	REV
---------	-----------	--------	-----



■ Specifications :

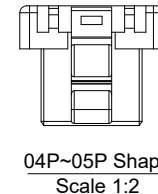
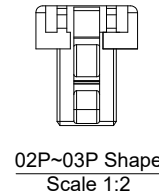
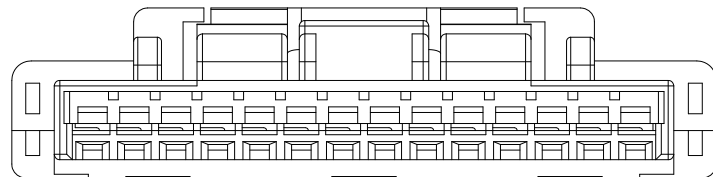
- Voltage rating: 100V AC / DC
- Current rating: 2A AC / DC
- Withstanding voltage: 500V AC/minute
- Temperature range: -25°C~+85°C
- Insulation resistance: ≥500MΩ
- Contact resistance: ≤20mΩ
- After environmental testing: ≤40mΩ



1515 H X-XX X-XX XX XX
① ② ③ ④ ⑤ ⑥ ⑦ ⑧

- ① Series No.
- ② Category: H-HSG
- ③ Appearance type: Blank-ordinary
- ④ Row No.-Pin No.: XX-02P~15P
- ⑤ Plug the Pin & special No.: Blank-Ordinary
- ⑥ Material: PT-PBT 94V-0 ; N0-PA66 94V-0
- ⑦ HF-Halogen Free
- ⑧ Color: Blank-Natural Color BK-Black

02P~03P Shape Scale 1:1



Poles	Dimensions (mm)			Poles	Dimensions (mm)		
	A	B	C		A	B	C
02	1.50	7.30	4.25	09	12.00	17.80	14.75
03	3.00	8.80	5.75	10	13.50	19.30	16.25
04	4.50	10.30	7.25	11	15.00	20.80	17.75
05	6.00	11.80	8.75	12	16.50	22.30	19.25
06	7.50	13.30	10.25	13	18.00	23.80	20.75
07	9.00	14.80	11.75	14	19.50	25.30	22.25
08	10.50	16.30	13.25	15	21.00	26.80	23.75

1515H-XX-N0	PA66 UL 94V-0	1515T	1515W
1515H-XX-N0HF	PA66 UL 94V-0 (Halogen Free)		
1515H-XX-PT	PBT UL 94V-0		
PART NO	Material	Suitable ADZL Terminal	Mates With ADZL Wafer

DATE	OLD REV	NEW REV	ECN	DESCRIPTION	CHECK	APPROVAL	

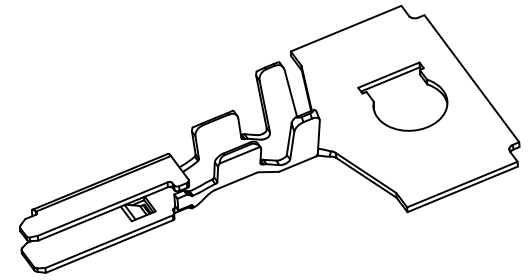
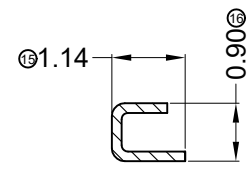
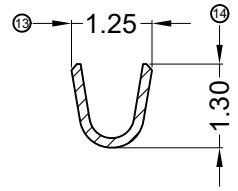
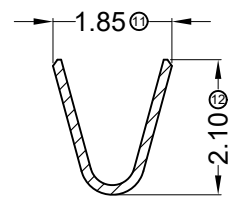
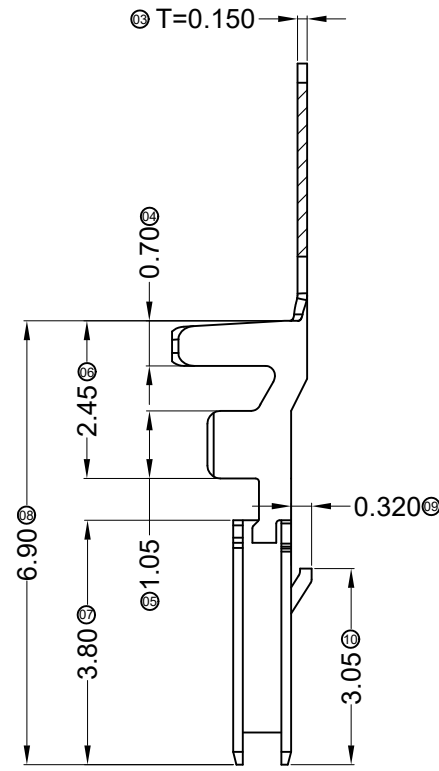
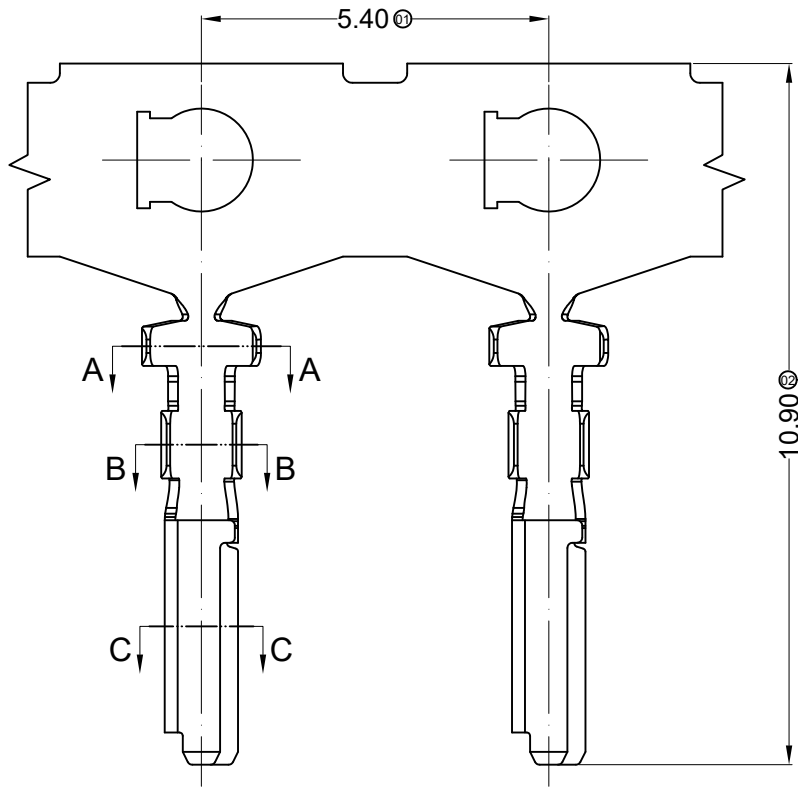
GENERAL TOLERANCE
 .X ±0.30
 .XX ±0.20
 .XXX ±0.10

PROJECT

ADZL 东莞市思量连接器有限公司
 DONGGUAN ADZL CONNECTORS CO.,LTD.

APPROVAL	CHECK	DRAWN	DATE
Ken	Zhao Hong	Allen	2017/05/13

PART NO. 1515H-XX-XXXX			
TITLE 1.50mm Crimp Style Connectors			
UNIT MM	SCALE 1:1	NUMBER	REV



■ Specifications :

- Voltage rating: 100V AC / DC
- Current rating: 2A AC / DC
- Withstanding voltage: 500V AC/minute
- Temperature range: -25°C~+85°C
- Insulation resistance: ≥500MΩ
- Contact resistance: ≤20mΩ
- After environmental testing: ≤40mΩ

1515 T X-P SN X - X
① ② ③ ④ ⑤ ⑥ ⑦

- ① Series Number
- ② Category: T-terminal
- ③ Shape: Blank-ordinary
- ④ Material: P-Phosphor bronze
- ⑤ Plating style: SN-Bright tin plating
- ⑥ Plating method: Blank-Stamping before plating
- ⑦ Mold No./Mark/Special No.

1515T-PSN	Phosphor Bronze	AWG#24-28	1.28mm(Max)	Stamping Before Plating:30u"MIN. Ni; 70u"Sn	1515H
PART NO	Material	Wire Range	Insulation O.D.	Finish	Used In ADZL Housing

DATE	OLD REV	NEW REV	ECN	DESCRIPTION	CHECK	APPROVAL

GENERAL TOLERANCE
 .X ±0.30
 .XX ±0.20
 .XXX ±0.10

PROJECT

ADZL 东莞市思量连接器有限公司
 DONGGUAN ADZL CONNECTORS CO.,LTD.

APPROVAL	CHECK	DRAWN	DATE
Ken	Zhao Hong	Allen	2017/06/15

PART NO. 1515T-PSN			
TITLE 1.50mm Crimp Style Connectors			
UNIT MM	SCALE 1:1	NUMBER	REV