

RoHS

WWW.ADZLCONN.COM

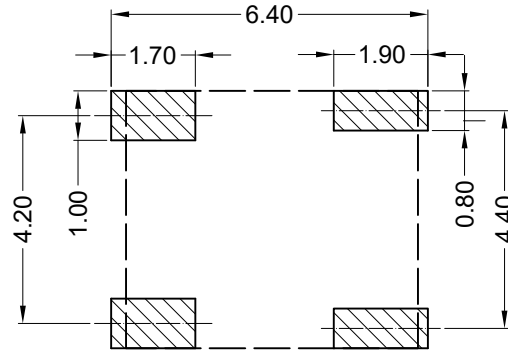
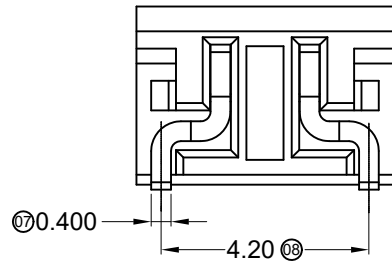
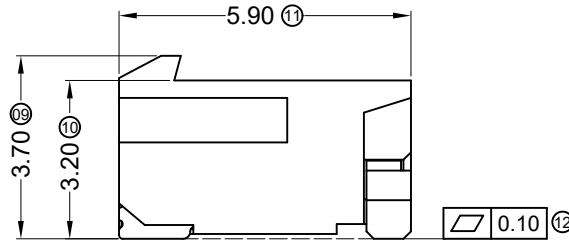
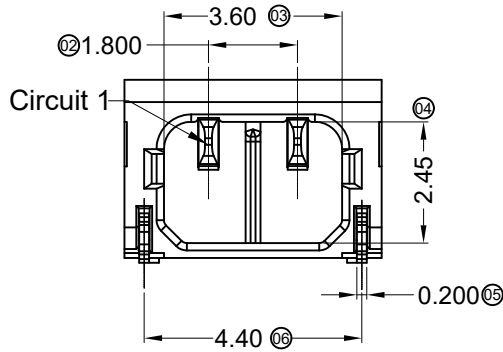
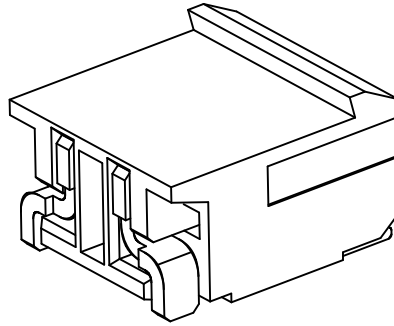
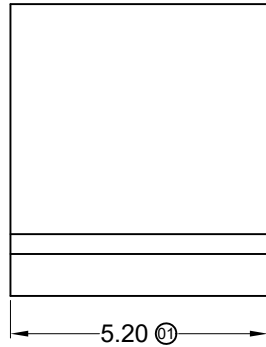
TEL:0769-82285488

■ Specifications :

- Voltage rating: 350V AC / DC
- Current rating: 4A AC / DC
- Withstanding voltage: 1700V AC/minute
- Temperature range: -25°C~+85°C
- Insulation resistance: ≥1000MΩ
- Contact resistance: ≤30mΩ
- After environmental testing: ≤40mΩ
- Mates With ADZL Housing :1800H-02B

1800 W R S-02 B -XX SW XX
 ① ② ③ ④ ⑤ ⑥ ⑦ ⑧ ⑨

- ① Series No.
- ② Category: W-WAFER
- ③ Welding Board Angle: R-Right Angle 90°
- ④ Welding Way: S-SMT
- ⑤ Row No.-Pin No.: 02-02P
- ⑥ Plug the Pin & Special No.: B-With Lock
- ⑦ Material: LP -LCP 94V-0;4T -PA4T 94V-0
- ⑧ Plating Category: SW-Matte Tin Plating
- ⑨ Color : Blank-Natural Color



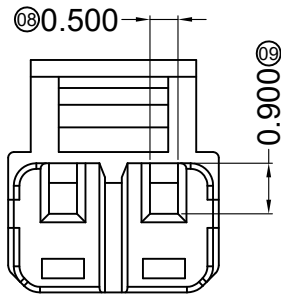
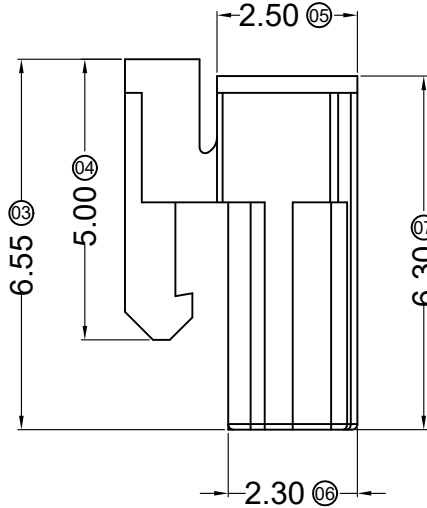
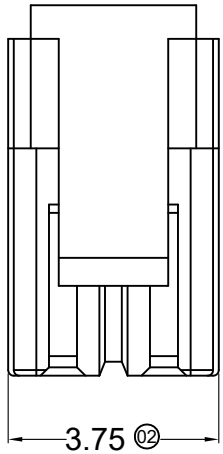
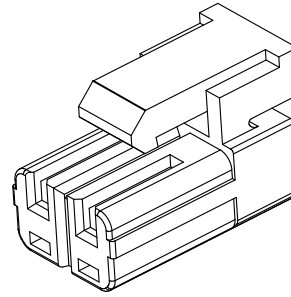
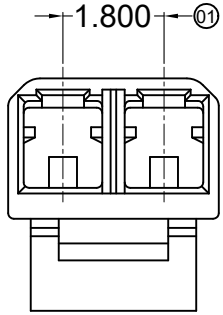
Recommended P.C.B Layout
 General Tolerance ±0.05

								东莞市思量连接器有限公司 DONGGUAN ADZL CONNECTORS CO.,LTD.				PART NO. 1800WRS-02B-XXSW			
								APPROVAL				TITLE 1.80mm Crimp Style Connectors			
								CHECK				UNIT MM			
								DRAWN				SCALE 1:1			
								DATA				NUMBER			
DATE	OLD REV	NEW REV	ECN	DESCRIPTION	CHECK	APPROVAL	PROJECT	Ken	Zhao Hong	Allen	2017/04/11	REV			

RoHS

WWW.ADZLCONN.COM

TEL:0769-82285488



Specifications :

- Voltage rating: 350V AC / DC
- Current rating: 3.2A AC / DC
- Withstanding voltage: 1700V AC/minute
- Temperature range: -25°C~+85°C
- Insulation resistance: ≥1000MΩ
- Contact resistance: ≤10mΩ
- After environmental testing: ≤20mΩ

1800 H -02 B-N0 XX

① ② ③ ④ ⑤ ⑥

- ① Series No
- ② Category: H-HSG
- ③ Row No.-Pin No.: 02-02P
- ④ Special No: B-Short Body With Lock
- ⑤ Material: N0-PA66 94V-0
- ⑥ HF-Halogen Free
- ⑦ None-Natural Color ; BK-Black Color

1800H-02B-N0	Nylon 66 UL 94V-0	1800T-PXX-B	1800WRS-02B
1800H-02B-N0HF	Nylon 66 UL 94V-0 Halogen-Free		
PART NO	Material	Suitable ADZL Terminal	Suitable ADZL Wafer

DATE	OLD REV	NEW REV	ECN	DESCRIPTION	CHECK	APPROVAL	

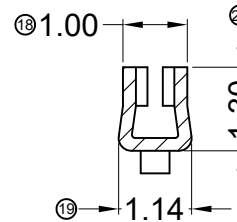
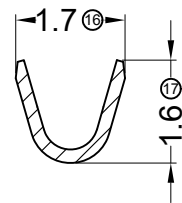
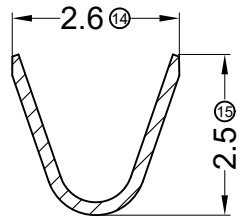
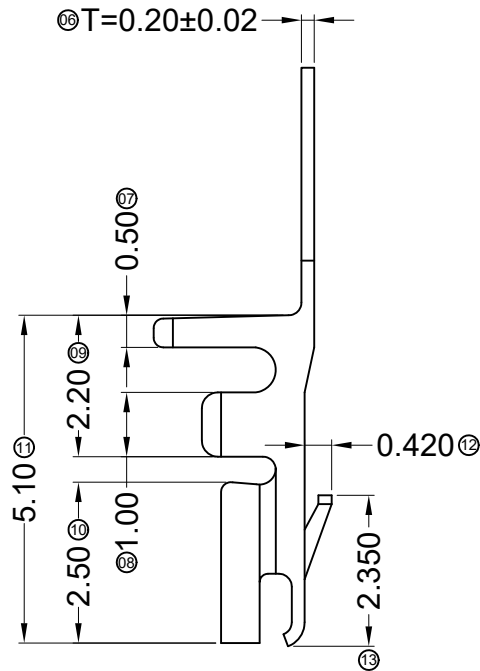
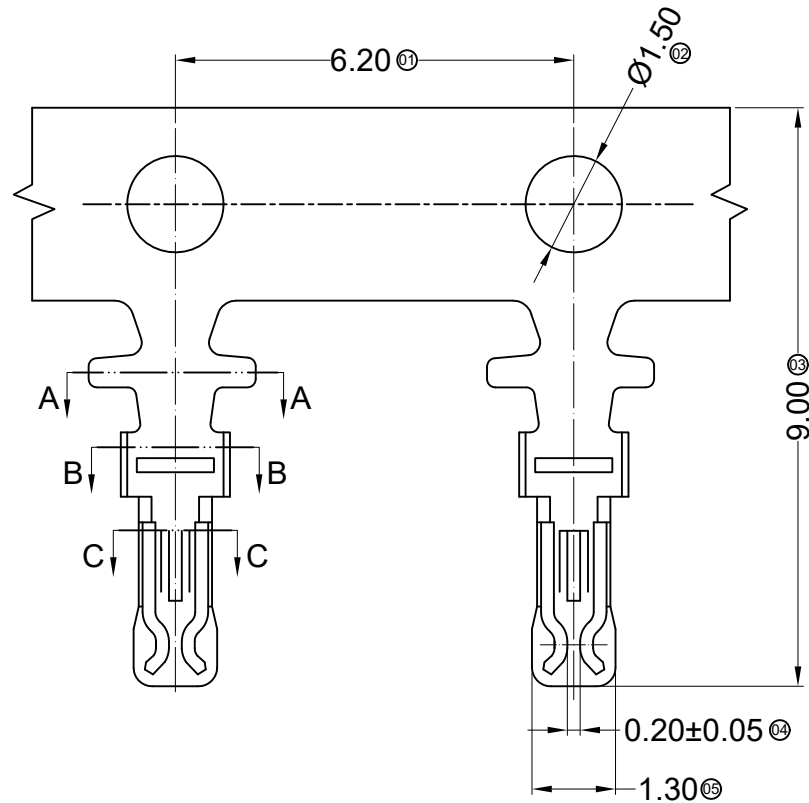
GENERAL TOLERANCE
 .X ±0.30
 .XX ±0.20
 .XXX ±0.10



ADZL 东莞市思量连接器有限公司
 DONGGUAN ADZL CONNECTORS CO.,LTD.

APPROVAL	CHECK	DRAWN	DATA
Ken	Zhao Hong	Allen	2017/01/17

PART NO. 1800H-02B-N0HF			
TITLE 1.80mm Crimp Style Connectors			
UNIT MM	SCALE 1:1	NUMBER	REV



■ Specifications :

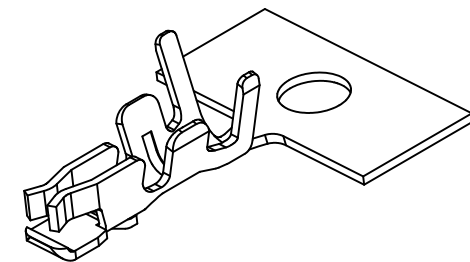
- Voltage rating: 350V AC / DC
- Current rating: 3.2A AC / DC
- Withstanding voltage: 1700V AC/minute
- Temperature range: $-25^{\circ}\text{C} \sim +85^{\circ}\text{C}$
- Insulation resistance: $\geq 1000\text{M}\Omega$
- Contact resistance: $\leq 10\text{m}\Omega$
- After environmental testing: $\leq 20\text{m}\Omega$

- Wire Size: AWG#22~26 ($0.35 \sim 0.13\text{mm}^2$)
- Insulation O.D.: 1.30mm Max
- Used In ADZL Housing: 1800H-02B

1800 T X-P SN-B

① ② ③ ④ ⑤ ⑥

- ① Series Number
- ② Category: T-terminal
- ③ Shape: Blank-ordinary
- ④ Material: P-Phosphor bronze
- ⑤ Plating Style: SN-Bright tin plating
- ⑥ B-B TYPE



DATE	OLD REV	NEW REV	ECN	DESCRIPTION	CHECK	APPROVAL	PROJECT		

GENERAL TOLERANCE	
.X	± 0.30
.XX	± 0.20
.XXX	± 0.10
PROJECT	

东莞市思量连接器有限公司 DONGGUAN ADZL CONNECTORS CO.,LTD.			
APPROVAL	CHECK	DRAWN	DATA
Ken	Zhao Hong	Allen	2018/09/01

PART NO.			
1800T-PSN-B			
TITLE			
1.80mm Crimp Style Connectors			
UNIT	SCALE	NUMBER	REV
MM	1:1		