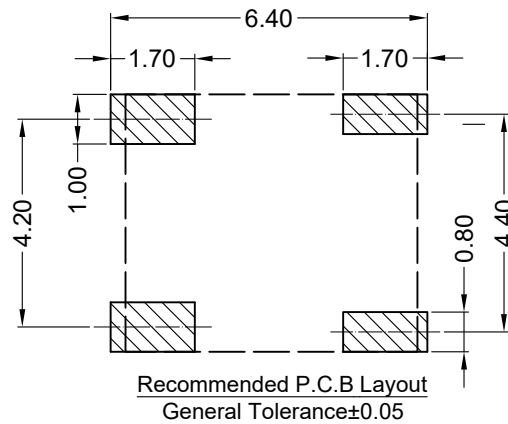
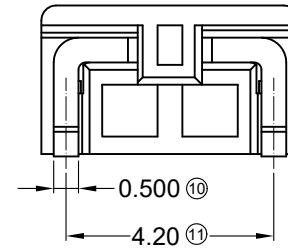
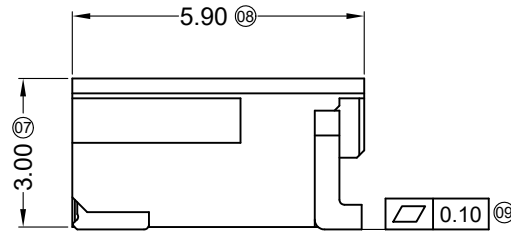
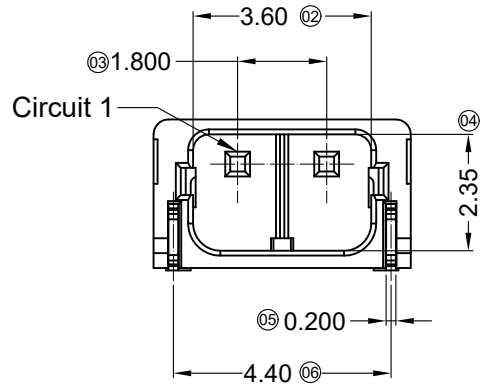


Specifications :

- Voltage rating: 350V AC / DC
- Current rating: 3.2A AC / DC
- Withstanding voltage: 1700V AC/minute
- Temperature range: -25°C~+85°C
- Insulation resistance: ≥1000MΩ
- Contact resistance: ≤10mΩ
- After environmental testing: ≤20mΩ
- Mates With ADZL Housing :1800H-02



1800 W R S-02 X -LP SW XX
 ① ② ③ ④ ⑤ ⑥ ⑦ ⑧ ⑨

- ① Series No.
- ② Category: W-WAFER
- ③ Welding Board Angle: R-Right Angle 90°
- ④ Welding Way.: S-SMT
- ⑤ Row No.-Pin No.: 02-02P
- ⑥ Plug the Pin & Special No.: Blank-Without Lock
- ⑦ Material: LP -LCP 94V-0
- ⑧ Plating Category:
SW- 50u"Min Ni 、 100u"Min Matte Tin
- ⑨ Color : Blank-Natural Color

DATE	OLD REV	NEW REV	ECN	DESCRIPTION	CHECK	APPROVAL	PROJECT	

GENERAL TOLERANCE	
.X	±0.30
.XX	±0.20
.XXX	±0.10

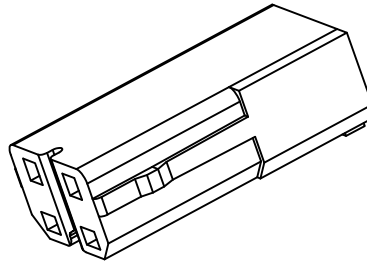
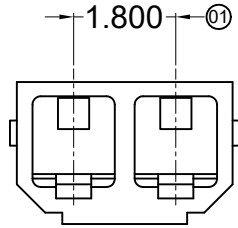
东莞市思量连接器有限公司 DONGGUAN ADZL CONNECTORS CO.,LTD.			
APPROVAL	CHECK	DRAWN	DATA
Ken	Zhao Hong	Allen	2017/01/19

PART NO. 1800WRS-02-LPSW			
TITLE 1.80mm Crimp Style Connectors			
UNIT MM	SCALE 1:1	NUMBER	REV

RoHS

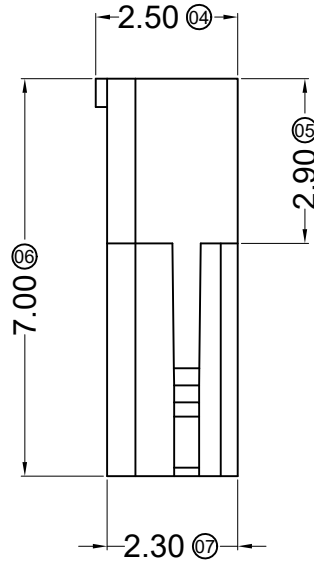
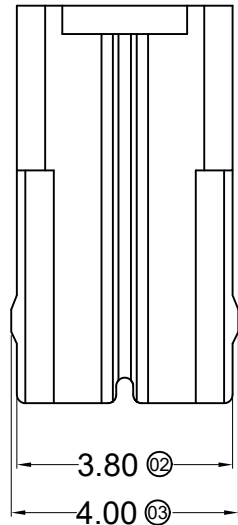
WWW.ADZLCONN.COM

TEL:0769-82285488



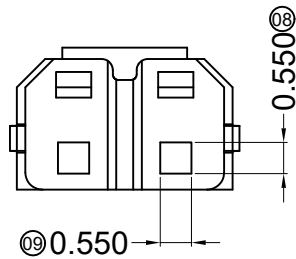
■ Specifications :

- Voltage rating: 350V AC / DC
- Current rating: 3.2A AC / DC
- Withstanding voltage: 1700V AC/minute
- Temperature range: -25°C~+85°C
- Insulation resistance: ≥1000MΩ
- Contact resistance: ≤10mΩ
- After environmental testing: ≤20mΩ



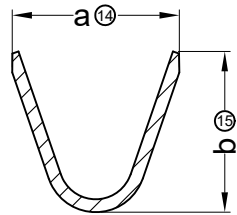
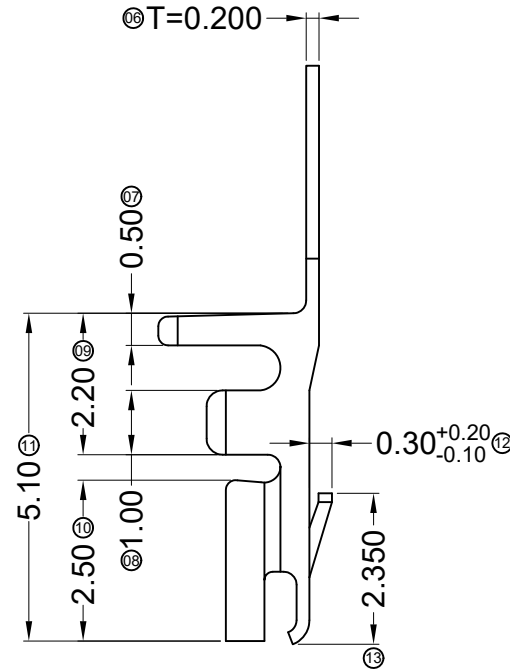
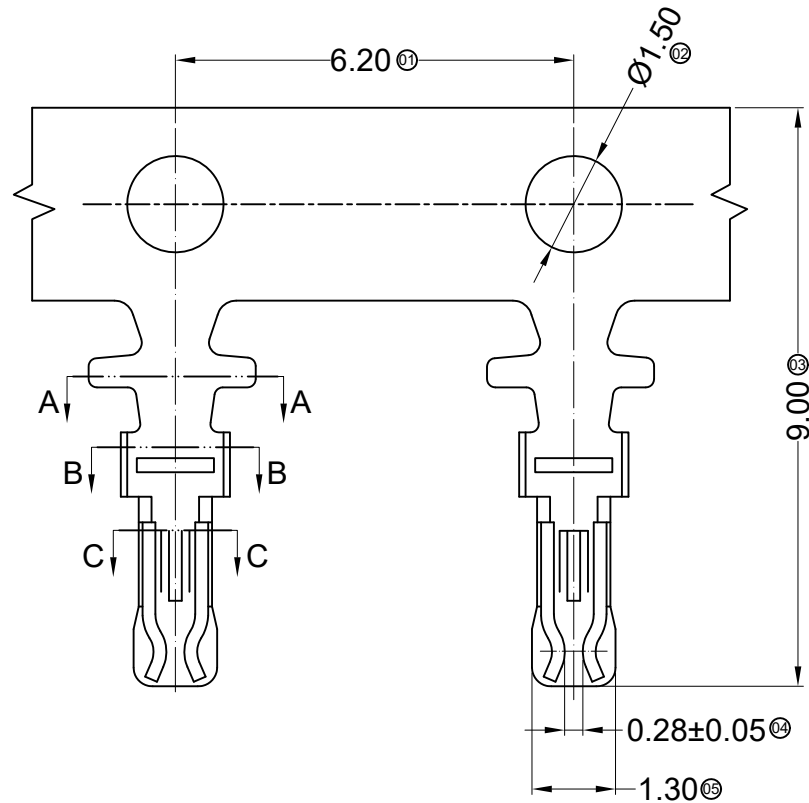
1800 H X-02 XX-N0 HF
 ① ② ③ ④ ⑤ ⑥ ⑦

- ① Series No.
- ② Category: H-HSG
- ③ Welding Board Angle: Blank-ordinary
- ④ Row No.-Pin No.: 02-02P
- ⑤ Plug the Pin & special No.:
- ⑥ Material: N0-PA66 94V-0
- ⑦ HF-Halogen Free
- ⑧ None-Natural Color ; BK-Black Color

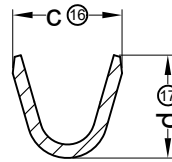


1800H-02-N0HF	Nylon 66 UL 94V-0 Halogen-Free	1800T-PXX-A	1800WRS-02
PART NO	Material	Suitable ADZL Terminal	Suitable ADZL Wafer

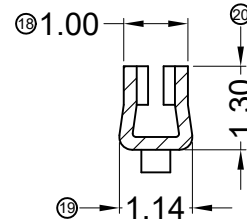
							GENERAL TOLERANCE	东莞市思量连接器有限公司 DONGGUAN ADZL CONNECTORS CO.,LTD.				PART NO. 1800H-02-N0HF			
							.X ±0.30					TITLE 1.80mm Crimp Style Connectors			
							.XX ±0.20	APPROVAL	CHECK	DRAWN	DATA				
DATE	OLD REV	NEW REV	ECN	DESCRIPTION	CHECK	APPROVAL	PROJECT	Ken	Zhao Hong	Allen	2017/04/07	UNIT MM	SCALE 1:1	NUMBER	REV



SECTION A-A
SCALE 1:1



SECTION B-B
SCALE 1:1



SECTION C-C
SCALE 1:1

Specifications :

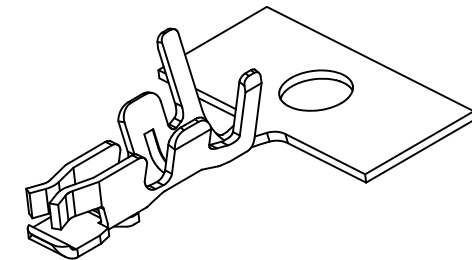
- Voltage rating: 350V AC / DC
- Current rating: 3.2A AC / DC
- Withstanding voltage: 1700V AC/minute
- Temperature range: -25°C~+85°C
- Insulation resistance: ≥1000MΩ
- Contact resistance: ≤10mΩ
- After environmental testing: ≤20mΩ

- Used In ADZL Housing:1800H-02/1800H-02A
- Used In ADZL Wafer:1800WRS-02/1800WRS-02A

1800 T X-P SN X-A

- ① ② ③ ④ ⑤ ⑥ ⑦

- ① Series Number
- ② Category: T-terminal
- ③ Shape: Blank-ordinary; L-Lower
- ④ Material: P-Phosphor bronze
- ⑤ Plating Style: SN-Bright tin plating
- ⑥ Plating Method :
Blank-Stamping before Plating
- ⑦ A-A TYPE



1800T-PSN-A	AWG#22-26 (0.35~0.13mm ²)	0.95-1.30mm	2.6	2.5	1.7	1.6
1800TL-PSN-A	AWG#26-28	0.95 Max.	1.9	1.9	1.20	1.20
PART NO	Wire Size	Insulation O.D.	DIM a	DIM b	DIM c	DIM d

DATE	OLD REV	NEW REV	ECN	DESCRIPTION	CHECK	APPROVAL

GENERAL TOLERANCE	X ±0.30
	.XX ±0.20
	.XXX ±0.10
PROJECT	⊕ ⊕

ADZL 东莞市思量连接器有限公司
 DONGGUAN ADZL CONNECTORS CO.,LTD.

APPROVAL	CHECK	DRAWN	DATA
Ken	Zhao Hong	Allen	2017/01/17

PART NO.			
1800TX-PSN-A			
TITLE			
1.80mm Crimp Style Connectors			
UNIT	SCALE	NUMBER	REV
MM	1:1		