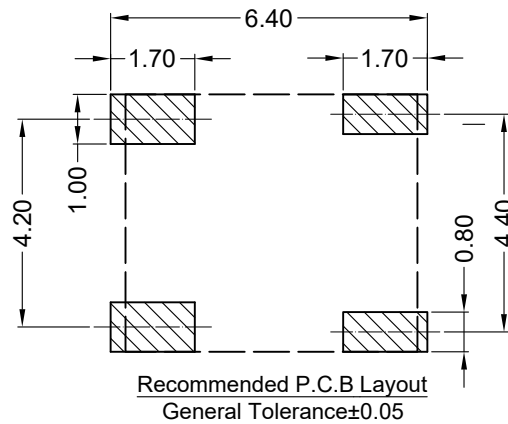
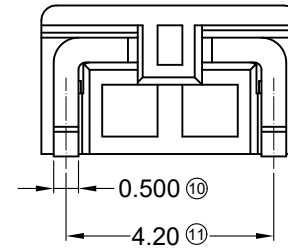
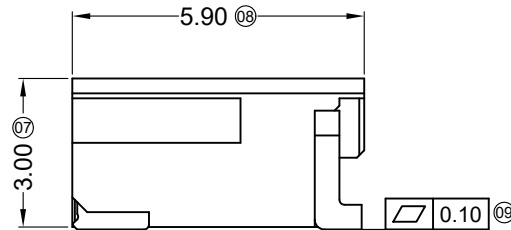
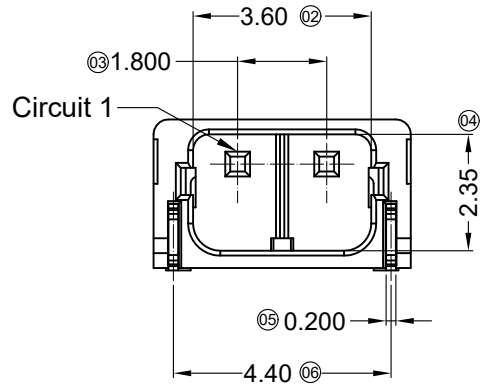


Specifications :

- Voltage rating: 350V AC / DC
- Current rating: 3.2A AC / DC
- Withstanding voltage: 1700V AC/minute
- Temperature range: -25°C~+85°C
- Insulation resistance: ≥1000MΩ
- Contact resistance: ≤10mΩ
- After environmental testing: ≤20mΩ
- Mates With ADZL Housing :1800H-02



1800 W R S-02 X -LP SW XX
① ② ③ ④ ⑤ ⑥ ⑦ ⑧ ⑨

- ① Series No.
- ② Category: W-WAFER
- ③ Welding Board Angle: R-Right Angle 90°
- ④ Welding Way.: S-SMT
- ⑤ Row No.-Pin No.: 02-02P
- ⑥ Plug the Pin & Special No.: Blank-Without Lock
- ⑦ Material: LP -LCP 94V-0
- ⑧ Plating Category:
SW- 50u"Min Ni 、 100u"Min Matte Tin
- ⑨ Color : Blank-Natural Color

| | | | | | | | |
|------|---------|---------|-----|-------------|-------|----------|--|
| | | | | | | | |
| | | | | | | | |
| | | | | | | | |
| DATE | OLD REV | NEW REV | ECN | DESCRIPTION | CHECK | APPROVAL | |

| | |
|-------------------|-------|
| GENERAL TOLERANCE | |
| .X | ±0.30 |
| .XX | ±0.20 |
| .XXX | ±0.10 |
| PROJECT | |

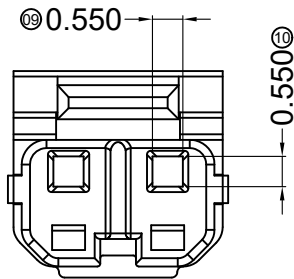
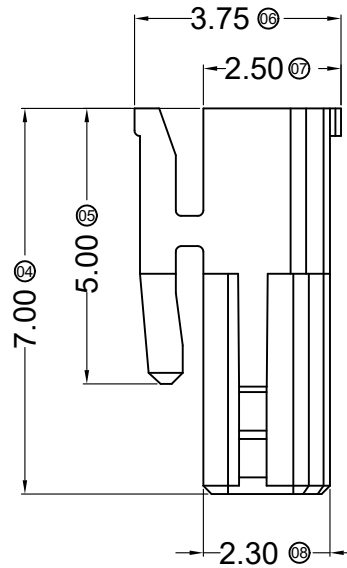
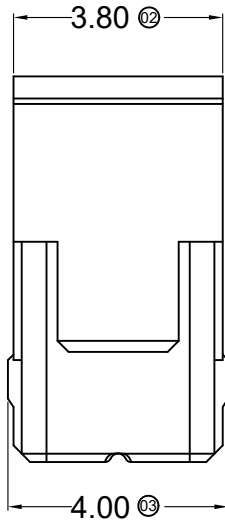
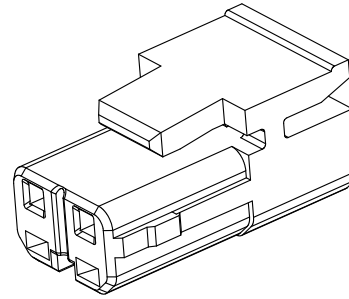
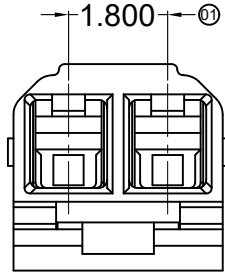
| | | | |
|---|-----------|-------|------------|
| 东莞市思量连接器有限公司 DONGGUAN ADZL CONNECTORS CO.,LTD. | | | |
| APPROVAL | CHECK | DRAWN | DATA |
| Ken | Zhao Hong | Allen | 2017/01/19 |

| | | | |
|-------------------------------------|-----------|--------|-----|
| PART NO. 1800WRS-02-LPSW | | | |
| TITLE 1.80mm Crimp Style Connectors | | | |
| UNIT MM | SCALE 1:1 | NUMBER | REV |

RoHS

WWW.ADZLCONN.COM

TEL:0769-82285488



Specifications :

- Voltage rating: 350V AC / DC
- Current rating: 3.2A AC / DC
- Withstanding voltage: 1700V AC/minute
- Temperature range: -25°C~+85°C
- Insulation resistance: ≥1000MΩ
- Contact resistance: ≤10mΩ
- After environmental testing: ≤20mΩ

1800 H X-02 A-N0 HF XX
 ① ② ③ ④ ⑤ ⑥ ⑦ ⑧

- ① Series No.
- ② Category: H-HSG
- ③ Welding Board Angle: Blank-ordinary
- ④ Row No.-Pin No.: 02-02P
- ⑤ Plug the Pin & special No.: A-With Lock
- ⑥ Material: N0-PA66 94V-0
- ⑦ HF-Halogen free
- ⑧ None-Natural Color ; BK-Black Color

| | | | |
|----------------|-----------------------------------|------------------------|---------------------|
| 1800H-02A-N0 | Nylon 66 UL 94V-0 | 1800T-PSN-A | 1800WRS-02A |
| 1800H-02A-N0HF | Nylon 66 UL 94V-0 Halogen-Free | | |
| PART NO | Material | Suitable ADZL Terminal | Suitable ADZL Wafer |

| | | | | | | | |
|------|---------|---------|-----|-------------|-------|----------|--|
| | | | | | | | |
| | | | | | | | |
| | | | | | | | |
| DATE | OLD REV | NEW REV | ECN | DESCRIPTION | CHECK | APPROVAL | |

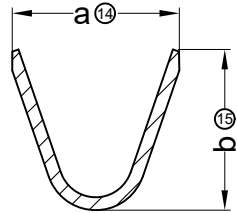
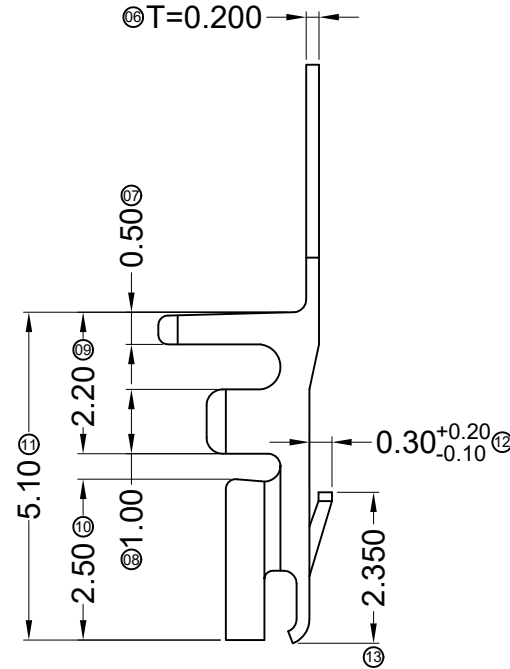
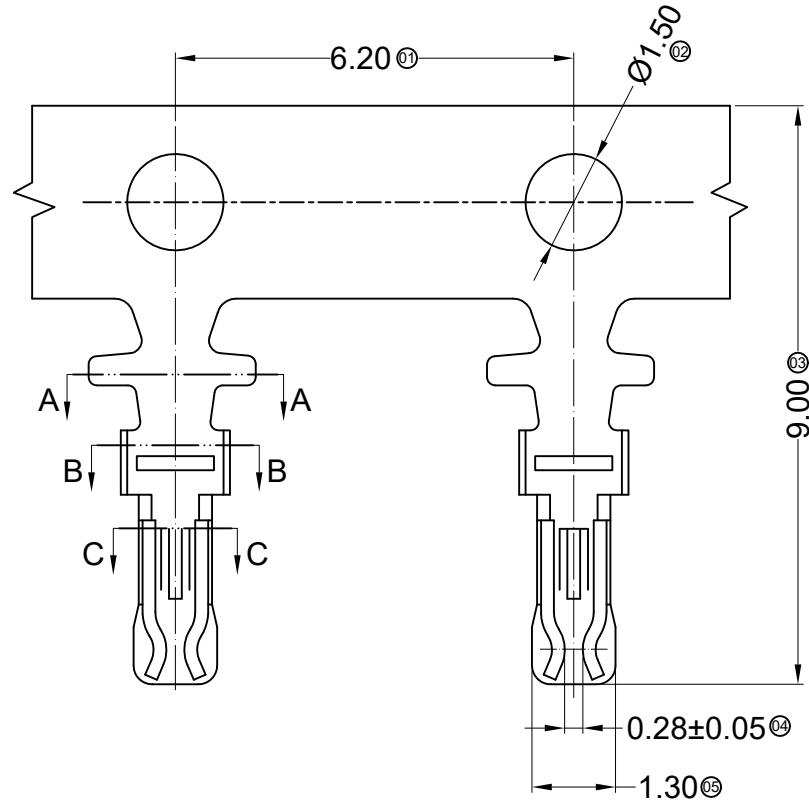
GENERAL TOLERANCE
 .X ±0.30
 .XX ±0.20
 .XXX ±0.10



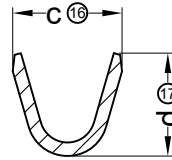
ADZL 东莞市思量连接器有限公司
 DONGGUAN ADZL CONNECTORS CO.,LTD.

| | | | |
|----------|-----------|-------|------------|
| APPROVAL | CHECK | DRAWN | DATA |
| Ken | Zhao Hong | Allen | 2017/06/26 |

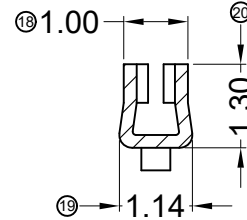
| | | | |
|-------------------------------------|-----------|--------|-----|
| PART NO. 1800H-02A-N0HF | | | |
| TITLE 1.80mm Crimp Style Connectors | | | |
| UNIT MM | SCALE 1:1 | NUMBER | REV |



SECTION A-A
SCALE 1:1



SECTION B-B
SCALE 1:1



SECTION C-C
SCALE 1:1

Specifications :

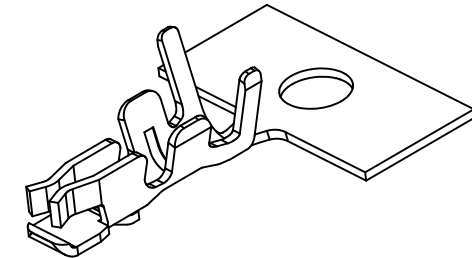
- Voltage rating: 350V AC / DC
- Current rating: 3.2A AC / DC
- Withstanding voltage: 1700V AC/minute
- Temperature range: -25°C~+85°C
- Insulation resistance: $\geq 1000M\Omega$
- Contact resistance: $\leq 10m\Omega$
- After environmental testing: $\leq 20m\Omega$

- Used In ADZL Housing:1800H-02/1800H-02A
- Used In ADZL Wafer:1800WRS-02/1800WRS-02A

1800 T X-P SN X-A

① ② ③ ④ ⑤ ⑥ ⑦

- ① Series Number
- ② Category: T-terminal
- ③ Shape: Blank-ordinary; L-Lower
- ④ Material: P-Phosphor bronze
- ⑤ Plating Style: SN-Bright tin plating
- ⑥ Plating Method :
Blank-Stamping before Plating
- ⑦ A-A TYPE



| | | | | | | |
|--------------|--|-----------------|-------|-------|-------|-------|
| 1800T-PSN-A | AWG#22-26 (0.35~0.13mm ²) | 0.95-1.30mm | 2.6 | 2.5 | 1.7 | 1.6 |
| 1800TL-PSN-A | AWG#26-28 | 0.95 Max. | 1.9 | 1.9 | 1.20 | 1.20 |
| PART NO | Wire Size | Insulation O.D. | DIM a | DIM b | DIM c | DIM d |

| | | | | | | | | | |
|------|---------|---------|-----|-------------|-------|----------|---------|--|--|
| | | | | | | | | | |
| | | | | | | | | | |
| | | | | | | | | | |
| DATE | OLD REV | NEW REV | ECN | DESCRIPTION | CHECK | APPROVAL | PROJECT | | |

| | |
|-------------------|------------|
| GENERAL TOLERANCE | X ±0.30 |
| | .XX ±0.20 |
| | .XXX ±0.10 |
| PROJECT | |

ADZL 东莞市思量连接器有限公司
DONGGUAN ADZL CONNECTORS CO.,LTD.

| | | | |
|----------|-----------|-------|------------|
| APPROVAL | CHECK | DRAWN | DATA |
| Ken | Zhao Hong | Allen | 2017/01/17 |

| | | | |
|-------------------------------|-------|--------|-----|
| PART NO. | | | |
| 1800TX-PSN-A | | | |
| TITLE | | | |
| 1.80mm Crimp Style Connectors | | | |
| UNIT | SCALE | NUMBER | REV |
| MM | 1:1 | | |