

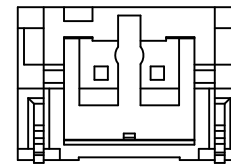
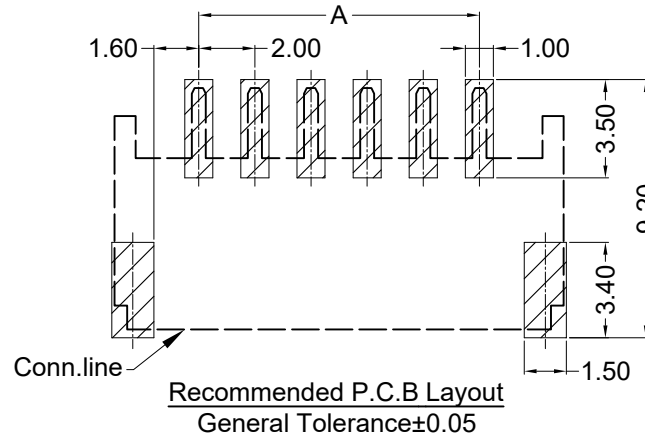
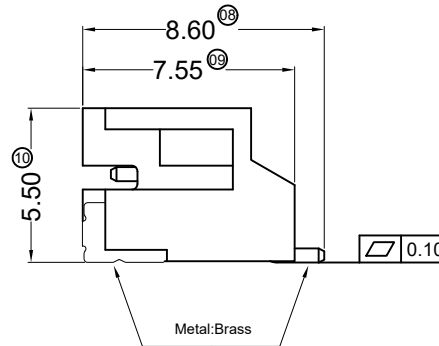
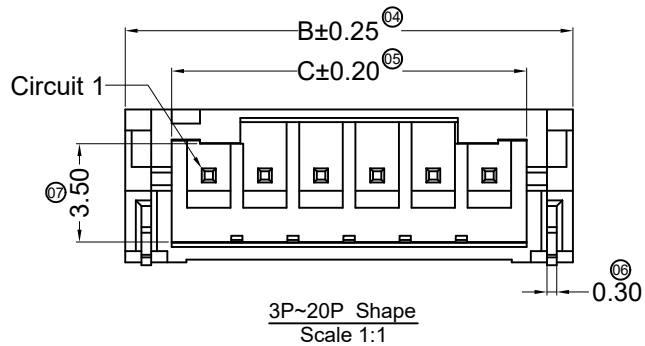
Specifications :

- Voltage rating: 100V AC / DC
- Current rating: 2A AC / DC
- Withstanding voltage: 800V AC/minute
- Temperature range: -25°C~+85°C
- Insulation resistance: ≥1000MΩ
- Contact resistance: ≤10mΩ
- After environmental testing: ≤20mΩ
- Mates With ADZL Housing: 2016H-XX-N0

2016 W R S-XX X -XX XXX XX- 01

① ② ③ ④ ⑤ ⑥ ⑦ ⑧ ⑨ ⑩

- ① Series No.
- ② Category: W-WAFER
- ③ Welding Board Angle: R-Right Angle 90°
- ④ Welding Way: S-SMT
- ⑤ Row No.-Pin No.: XX-02P~15P
- ⑥ Plug the Pin & Special No.
- ⑦ Material: LP -LCP 94V-0 ; 9T -PA9T 94V-0
- ⑧ Plating Category: SN-Bright tin plating; SW-Matte Tin; V01-Gold Flash;
- ⑨ Color : Blank-Natural Color; Bk-Black; RE-Red; BL-Blue ; YL-Yellow
- ⑩ Mold No./Mark/Special No.



2P Shape Scale 1:1

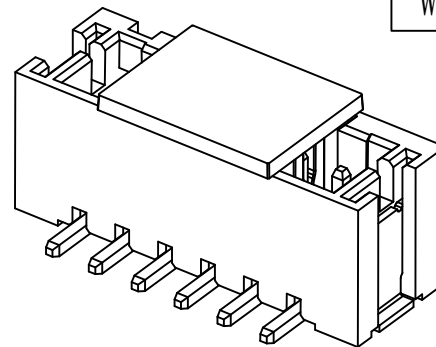
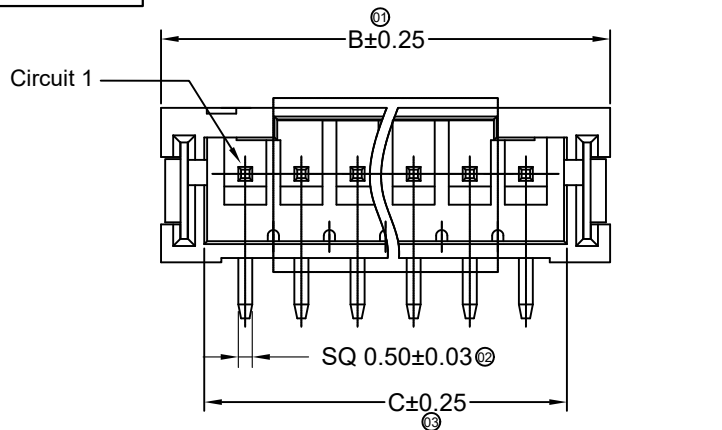
Poles	Dimensions (mm)			Poles	Dimensions (mm)		
	A	B	C		A	B	C
02	2.00	8.00	4.70	09	16.00	22.00	18.70
03	4.00	10.00	6.70	10	18.00	24.00	20.70
04	6.00	12.00	8.70	11	20.00	26.00	22.70
05	8.00	14.00	10.70	12	22.00	28.00	24.70
06	10.00	16.00	12.70	13	24.00	30.00	26.70
07	12.00	18.00	14.70	14	26.00	32.00	28.70
08	14.00	20.00	16.70	15	28.00	34.00	30.70

DATE	OLD REV	NEW REV	ECN	DESCRIPTION	CHECK	APPROVAL

GENERAL TOLERANCE	
.X	±0.30
.XX	±0.20
.XXX	±0.10
PROJECT	

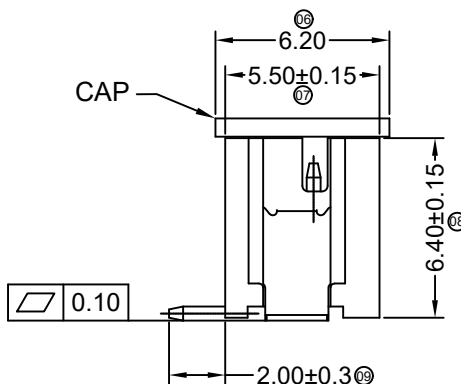
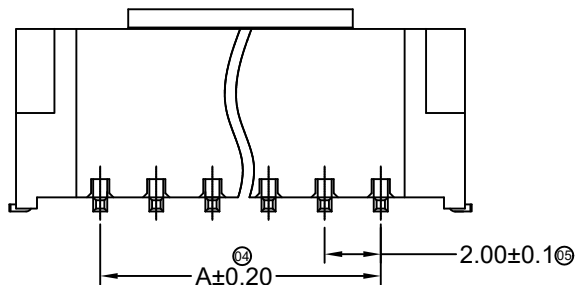
东莞市思量连接器有限公司 DONGGUAN ADZL CONNECTORS CO.,LTD.			
APPROVAL	CHECK	DRAWN	DATA
Ken	Zhao Hong	Allen	2024/05/15

PART NO. 2016WRS-XX-XXXX-01			
TITLE 2.00mm Crimp Style Connectors			
UNIT MM	SCALE 1:1	NUMBER	REV



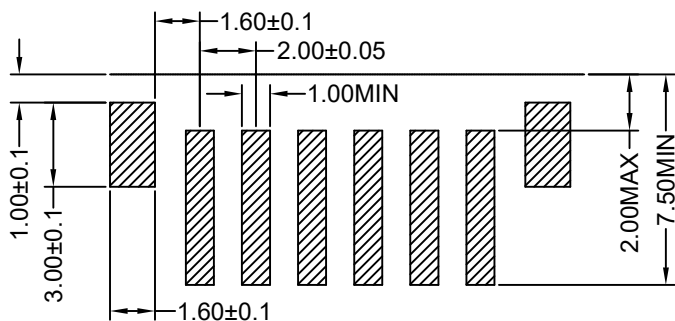
■ Specifications :

- Voltage rating: 100V AC / DC
- Current rating: 2A AC / DC
- Withstanding voltage: 800V AC/minute
- Temperature range: -25°C~+85°C
- Insulation resistance: ≥1000MΩ
- Contact resistance: ≤10mΩ
- After environmental testing: ≤20mΩ

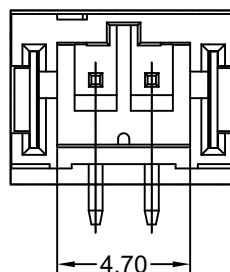


2016 W V S-XX X -9T XXX XX
 ① ② ③ ④ ⑤ ⑥ ⑦ ⑧ ⑨

- ① Series No.
- ② Category: W-WAFER
- ③ Welding Board Angle: V-Straight 180°
- ④ Welding Way: S-SMT
- ⑤ Row No.-Pin No.: XX-02P~20P
- ⑥ Plug the Pin & Special No.
- ⑦ Material: 9T -PA9T 94V-0
- ⑧ Plating Category: SW-Matte Tin Plating; V01- Gold Flash
- ⑨ Color : HF-Halogen Free;



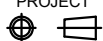
Recommended P.C.B Layout
 General Tolerance±0.05



2P Shape
 Scale 1:1

Poles	Dimensions (mm)			Poles	Dimensions (mm)			Poles	Dimensions (mm)		
	A	B	C		A	B	C		A	B	C
02	2.00	8.00	4.80	09	16.00	22.00	18.80	16	30.00	36.00	32.80
03	4.00	10.00	6.80	10	18.00	24.00	20.80	17	32.00	38.00	34.80
04	6.00	12.00	8.80	11	20.00	26.00	22.80	18	34.00	40.00	36.80
05	8.00	14.00	10.80	12	22.00	28.00	24.80	19	36.00	42.00	38.80
06	10.00	16.00	12.80	13	24.00	30.00	26.80	20	38.00	44.00	40.80
07	12.00	18.00	14.80	14	26.00	32.00	28.80				
08	14.00	20.00	16.80	15	28.00	34.00	30.80				

2016WVS-XX-9TSW	PA9T UL 94V-0	Brass	Matte Tin-Plated	Brass		2016H
PART NO	Material	Material(Pin)	Finish(Pin)	Material (Solder Tabs)	Finish (Solder Tabs)	Mates With ADZL Housing

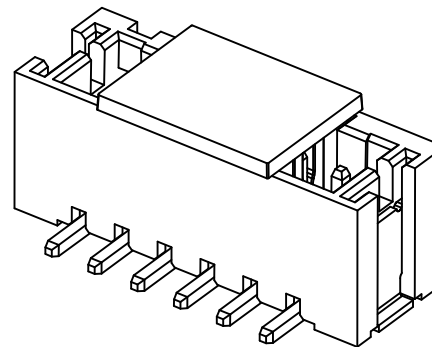
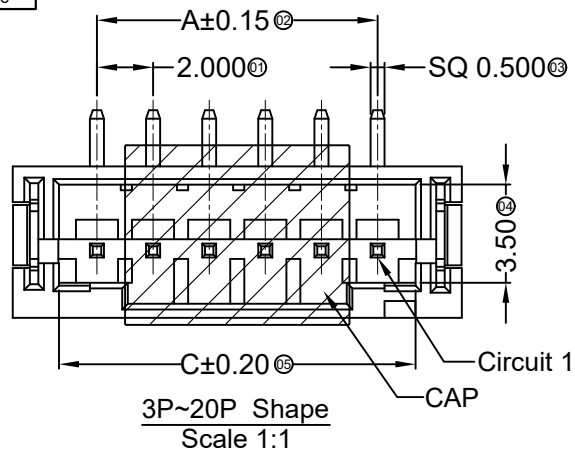
DATE	OLD REV	NEW REV	ECN	DESCRIPTION	CHECK	APPROVAL	PROJECT
							

GENERAL TOLERANCE	
.X	±0.30
.XX	±0.20
.XXX	±0.10

 东莞市思量连接器有限公司
 DONGGUAN ADZL CONNECTORS CO.,LTD.

APPROVAL	CHECK	DRAWN	DATA
Ken	Zhao Hong	Allen	2020/10/22

PART NO.	2016WVS-XX-9TSN		
TITLE	2.00mm Crimp Style Connectors		
UNIT	SCALE	NUMBER	REV
MM	1 : 1		

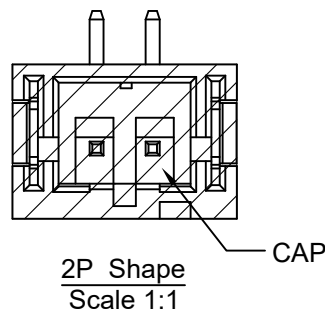
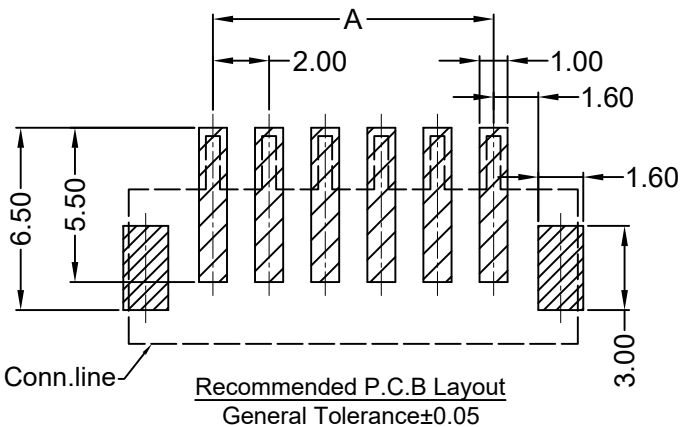
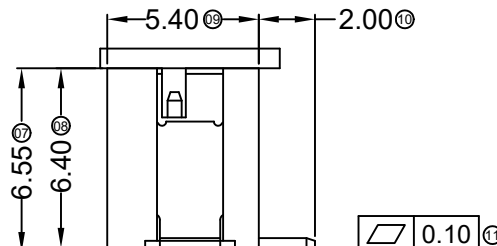
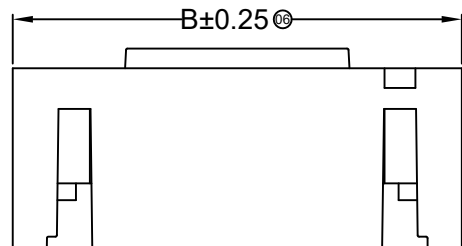


■ Specifications :

- Voltage rating: 100V AC / DC
- Current rating: 2A AC / DC
- Withstanding voltage: 800V AC/minute
- Temperature range: -25°C~+85°C
- Insulation resistance: ≥1000MΩ
- Contact resistance: ≤10mΩ
- After environmental testing: ≤20mΩ

2016 W V S-XX X -LP XXX XX
① ② ③ ④ ⑤ ⑥ ⑦ ⑧ ⑨

- ① Series No.
- ② Category: W-WAFER
- ③ Welding Board Angle: V-Straight 180°
- ④ Welding Way: S-SMT
- ⑤ Row No.-Pin No.: XX-02P~20P
- ⑥ Plug the Pin & Special No.
- ⑦ Material: LP-LCP 94V-0;
- ⑧ Plating Category: SN-Bright Tin plating; V01- Gold Flash
- ⑨ Color : Blank-Natural color



Poles	Dimensions (mm)			Poles	Dimensions (mm)			Poles	Dimensions (mm)		
	A	B	C		A	B	C		A	B	C
02	2.00	8.00	4.70	09	16.00	22.00	18.70	16	30.00	36.00	32.70
03	4.00	10.00	6.70	10	18.00	24.00	20.70	17	32.00	38.00	34.70
04	6.00	12.00	8.70	11	20.00	26.00	22.70	18	34.00	40.00	36.70
05	8.00	14.00	10.70	12	22.00	28.00	24.70	19	36.00	42.00	38.70
06	10.00	16.00	12.70	13	24.00	30.00	26.70	20	38.00	44.00	40.70
07	12.00	18.00	14.70	14	26.00	32.00	28.70				
08	14.00	20.00	16.70	15	28.00	34.00	30.70				

2016WVS-XX-LPNSHF	LCP UL 94V-0 Halogen Free	Brass	Tin-Plated	Brass	Tin-Plated	2016H
PART NO	Material	Material(Pin)	Finish(Pin)	Material (Solder Tabs)	Finish (Solder Tabs)	Mates With ADZL Housing

DATE	OLD REV	NEW REV	ECN	DESCRIPTION	CHECK	APPROVAL

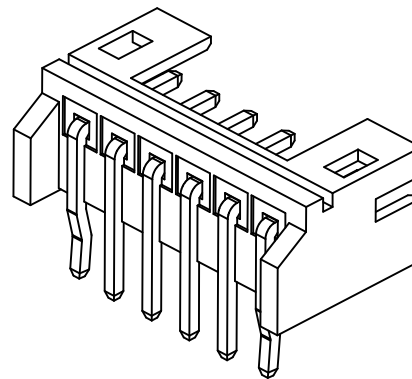
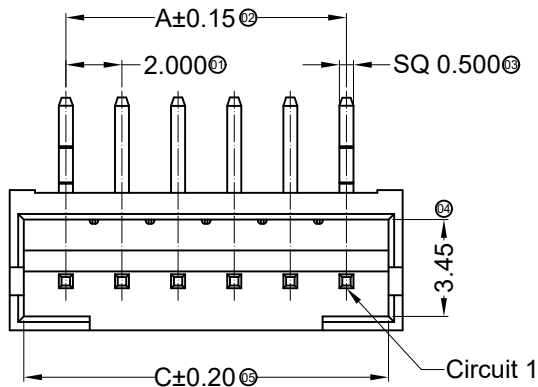
GENERAL TOLERANCE
.X ±0.30
.XX ±0.20
.XXX ±0.10

PROJECT

东莞市思量连接器有限公司
DONGGUAN ADZL CONNECTORS CO.,LTD.

APPROVAL	CHECK	DRAWN	DATA
Ken	Zhao Hong	Allen	2016/12/15

PART NO. 2016WVS-XX-LPXXXXX
TITLE 2.00mm Crimp Style Connectors
UNIT MM SCALE 1:1 NUMBER REV



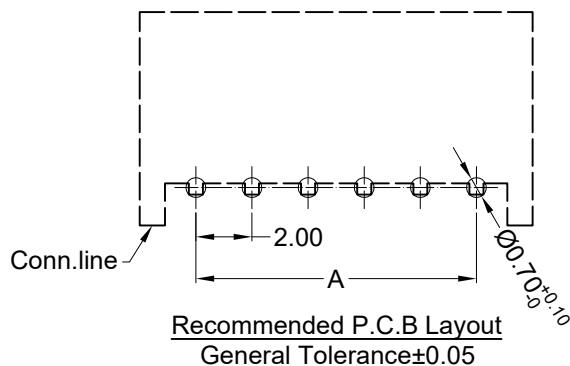
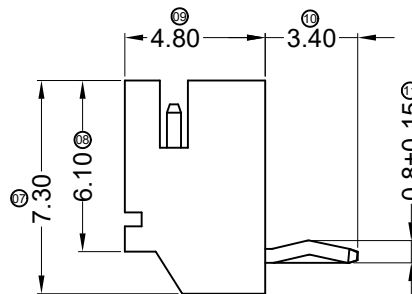
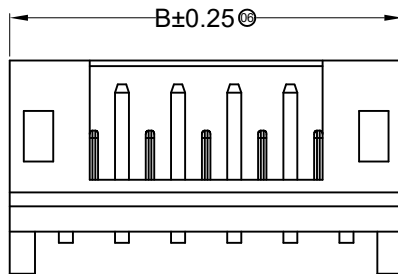
Specifications :

- Voltage rating: 100V AC / DC
- Current rating: 2A AC / DC
- Withstanding voltage: 800V AC/minute
- Temperature range: -25°C~+85°C
- Insulation resistance: ≥1000MΩ
- Contact resistance: ≤10mΩ
- After environmental testing: ≤20mΩ

2016 W R X-XX K -N0 SN XX

① ② ③ ④ ⑤ ⑥ ⑦ ⑧ ⑨

- ① Series No.
- ② Category: W-WAFER
- ③ Welding Board Angle: R-Right Angle 90°
- ④ Welding Way: Blank-DIP
- ⑤ Row No.-Pin No.: XX-02P~20P
- ⑥ Plug the Pin & Special No.: K-Kink, DIP=3.40mm
- ⑦ Material: N0-PA66 94V-0
- ⑧ Plating Category: SN-Bright Tin Plating
- ⑨ Color : Blank-Natural Color;

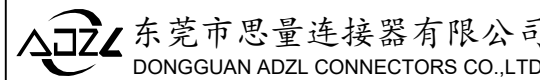


Poles	Dimensions (mm)			Poles	Dimensions (mm)			Poles	Dimensions (mm)		
	A	B	C		A	B	C		A	B	C
02	2.00	6.00	5.00	09	16.00	20.00	19.00	16	30.00	34.00	33.00
03	4.00	8.00	7.00	10	18.00	22.00	21.00	17	32.00	36.00	35.00
04	6.00	10.00	9.00	11	20.00	24.00	23.00	18	34.00	38.00	37.00
05	8.00	12.00	11.00	12	22.00	26.00	25.00	19	36.00	40.00	39.00
06	10.00	14.00	13.00	13	24.00	28.00	27.00	20	38.00	42.00	41.00
07	12.00	16.00	15.00	14	26.00	30.00	29.00				
08	14.00	18.00	17.00	15	28.00	32.00	31.00				

2016WR-XXX-N0SN	Nylon 66 UL 94V-0	Brass	Tin-Plated	2016H
PART NO	Material	Material(Pin)	Finish(Pin)	Mates With ADZL Housing

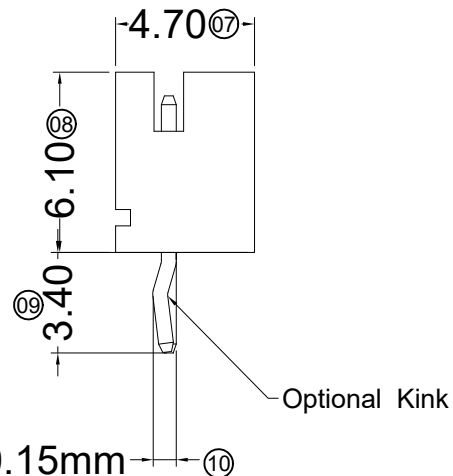
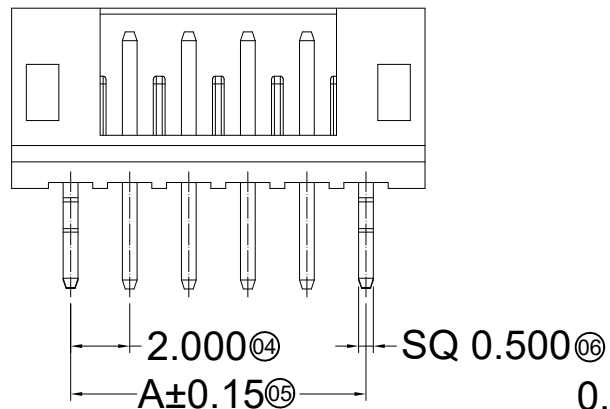
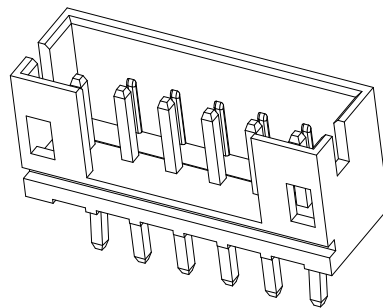
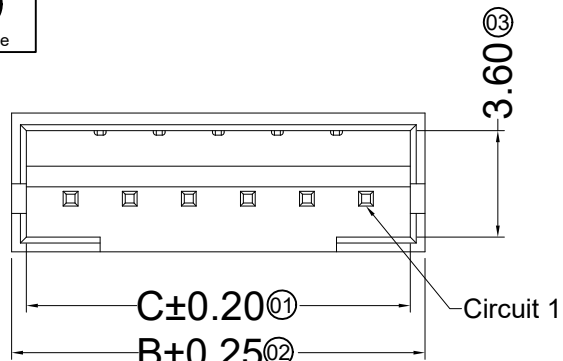
DATE	OLD REV	NEW REV	ECN	DESCRIPTION	CHECK	APPROVAL

GENERAL TOLERANCE
.X ±0.30
.XX ±0.20
.XXX ±0.10



APPROVAL: Ken, CHECK: Zhao Hong, DRAWN: Allen, DATA: 2017/11/22

PART NO. 2016WR-XXX-N0SN			
TITLE 2.00mm Crimp Style Connectors			
UNIT MM	SCALE 1:1	NUMBER	REV

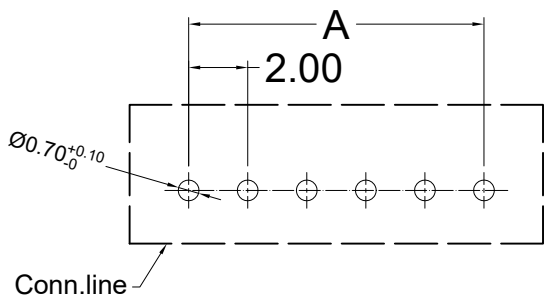


■ Specifications :

- Voltage rating: 100V AC / DC
- Current rating: 2A AC / DC
- Withstanding voltage: 800V AC/minute
- Temperature range: -25°C~+85°C
- Insulation resistance: ≥1000MΩ
- Contact resistance: ≤10mΩ
- After environmental testing: ≤20mΩ

2016 W V X-XX K1 -N0 SN XX
 ① ② ③ ④ ⑤ ⑥ ⑦ ⑧ ⑨

- ① Series No.
- ② Category : W-WAFER
- ③ Welding Board Angle V-Straight 180°
- ④ Welding Way: Blank-DIP
- ⑤ Row No.-Pin No.: XX-02P~20P
- ⑥ Plug the Pin & Special No.: K1- Reverse Kink ;
- ⑦ Material: 46 -PA46 94V-0 ; N0-PA66 94V-0
- ⑧ Plating Category: SN-Bright Tin Plating ; V01-Gold Flash
- ⑨ Color : Blank-Natural Color ;




Recommended P.C.B Layout
 General Tolerance±0.05

Poles	Dimensions (mm)			Poles	Dimensions (mm)			Poles	Dimensions (mm)		
	A	B	C		A	B	C		A	B	C
02	2.00	6.00	4.80	09	16.00	20.00	18.80	16	30.00	34.00	32.80
03	4.00	8.00	6.80	10	18.00	22.00	20.80	17	32.00	36.00	34.80
04	6.00	10.00	8.80	11	20.00	24.00	22.80	18	34.00	38.00	36.80
05	8.00	12.00	10.80	12	22.00	26.00	24.80	19	36.00	40.00	38.80
06	10.00	14.00	12.80	13	24.00	28.00	26.80	20	38.00	42.00	40.80
07	12.00	16.00	14.80	14	26.00	30.00	28.80				
08	14.00	18.00	16.80	15	28.00	32.00	30.80				

2016WV-XXK1-N0V01	Nylon 66 UL 94V-0	Brass	Gold-Flash	2016H
2016WV-XXK1-N0SN			Tin-Plated	
PART NO	Material	Material(Pin)	Finish(Pin)	Mates With ADZL Housing

DATE	OLD REV	NEW REV	ECN	DESCRIPTION	CHECK	APPROVAL

GENERAL TOLERANCE	
.X	±0.30
.XX	±0.20
.XXX	±0.10
PROJECT	



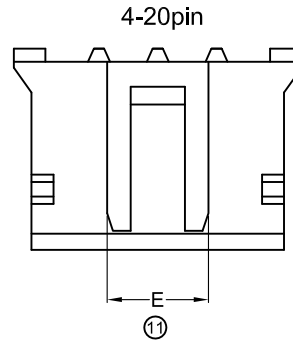
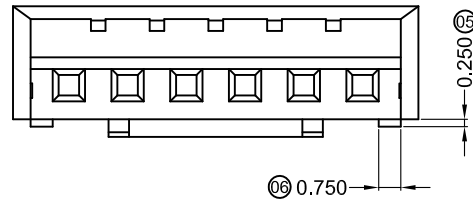
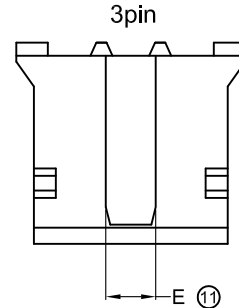
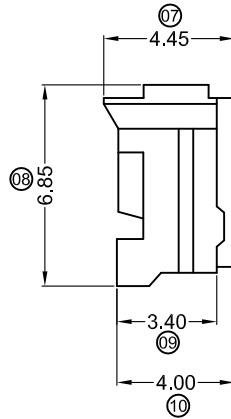
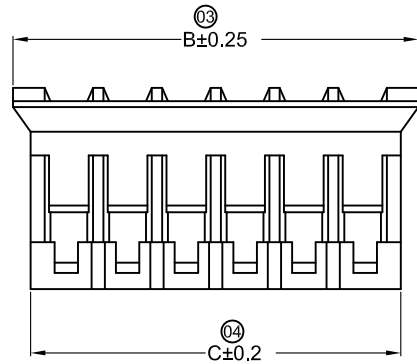
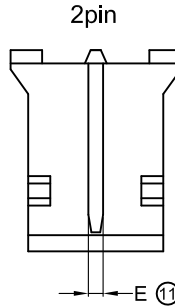
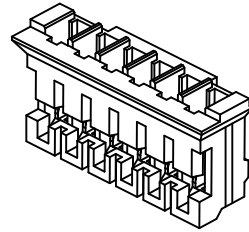
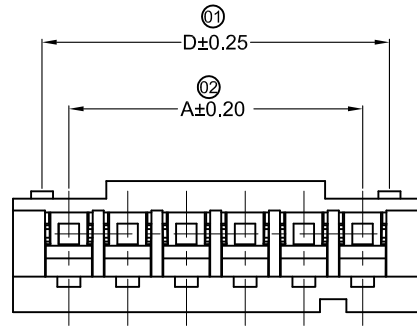
APPROVAL	CHECK	DRAWN	DATA
Ken	Zhao Hong	Allen	2017/11/22

PART NO.	2016WV-XXK1-XXXXX			
TITLE	2.00 mm Crimp Style Connectors			
UNIT	SCALE	NUMBER	REV	
MM	1 : 1			

RoHS

WWW.ADZLCONN.COM

TEL:0769-82285488



■ Specifications :

- Voltage rating: 100V AC / DC
- Current rating: 2A AC / DC
- Withstanding voltage: 800V AC/minute
- Temperature range: -25°C~+85°C
- Insulation resistance: ≥1000MΩ
- Contact resistance: ≤10mΩ
- After environmental testing: ≤20mΩ

2016 H X-XX X-N0 HF-01

① ② ③ ④ ⑤ ⑥ ⑦ ⑧

- ① Series No.
- ② Category: H-HSG
- ③ Appearance type: Blank-Ordinary
- ④ Row No.-Pin No.: XX-02P~20P
- ⑤ Plug the Pin & special No.: Blank-Ordinary
- ⑥ Material: N0-PA66 94V-0
- ⑦ HF-Halogen Free
- ⑧ 01-Numbering

Poles	Dimensions (mm)					Poles	Dimensions (mm)				
	A	B	C	D	E		A	B	C	D	E
02	2.00	5.80	4.60	3.85	0.60	12	22.00	25.80	24.60	23.85	19.45
03	4.00	7.80	6.60	5.85	1.30	13	24.00	27.80	26.60	25.85	21.45
04	6.00	9.80	8.60	7.85	3.45	14	26.00	29.80	28.60	27.85	23.45
05	8.00	11.80	10.60	9.85	5.45	15	28.00	31.80	30.60	29.85	25.45
06	10.00	13.80	12.60	11.85	7.45	16	30.00	33.80	32.60	31.85	27.45
07	12.00	15.80	14.60	13.85	9.45	17	32.00	35.80	34.60	33.85	29.45
08	14.00	17.80	16.60	15.85	11.45	18	34.00	37.80	36.60	35.85	31.45
09	16.00	19.80	18.60	17.85	13.45	19	36.00	39.80	38.60	37.85	33.45
10	18.00	21.80	20.60	19.85	15.45	20	38.00	41.80	40.60	39.85	35.45
11	20.00	23.80	22.60	21.85	17.45						

2016H-XX-N0HF-01	PA66 UL94V-0 Halogen Free	2016T	2016W
2016H-XX-N0-01	Nylon66 UL94V-0		
PART NO	Material	Suitable ADZL Terminal	Mates With ADZL Wafer

GENERAL TOLERANCE

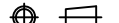
.X ±0.30

.XX ±0.20

.XXX ±0.10

X.° ±2°

PROJECT



ADZL 东莞市思量连接器有限公司
DONGGUAN ADZL CONNECTORS CO.,LTD.

APPROVAL

CHECK

DRAWN

DATE

Ken

Wisely He

Allen

2022/05/08

PART NO.

2016H-XX-N0XX-01

TITLE

2.00mm Crimp Style Connectors

UNIT

SCALE

SHEET

REV

NUMBER

mm

1:1

1/1

DATE	REV	ECN NO	DESCRIPTION	MODIFY	APPROVAL
1					
2					
3					
4					
5					

1

2

3

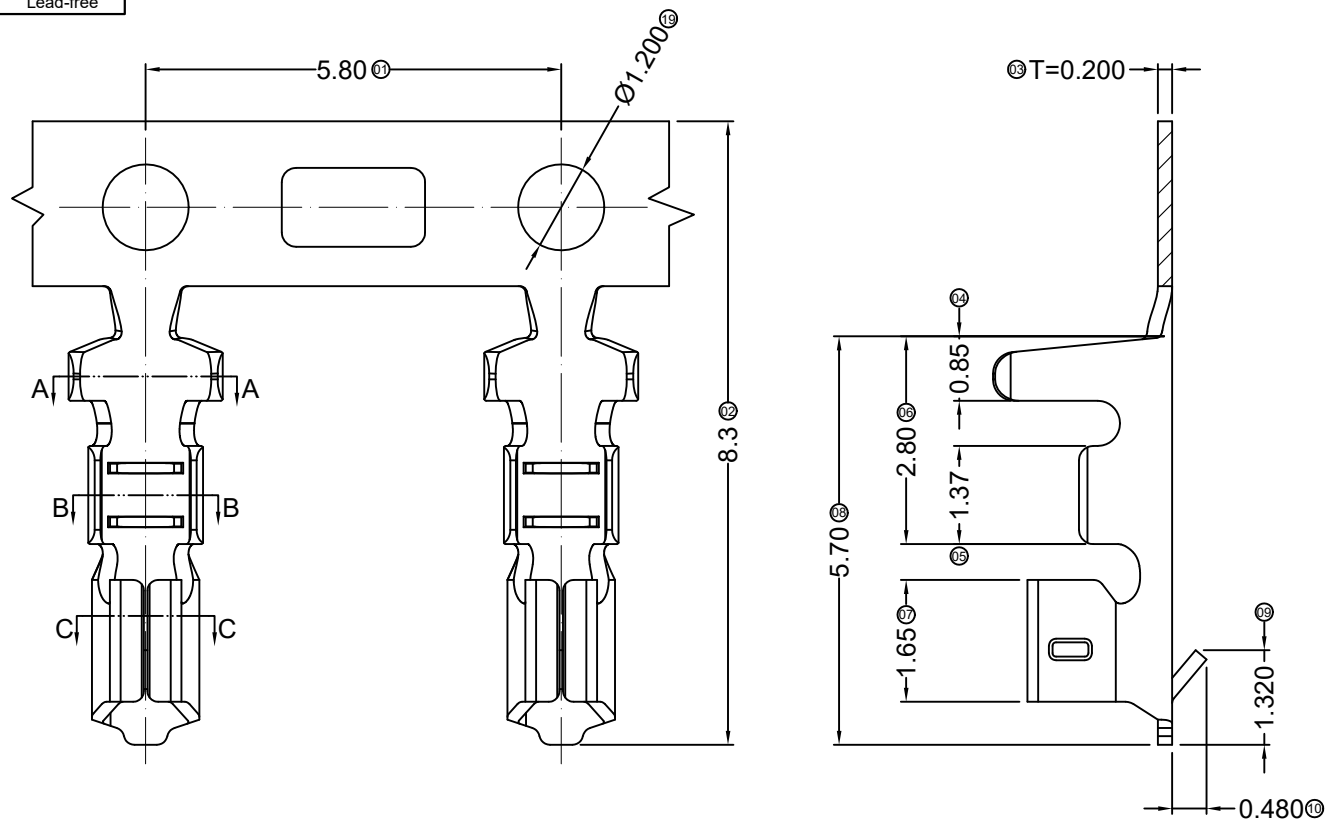
4

5

6

7

8

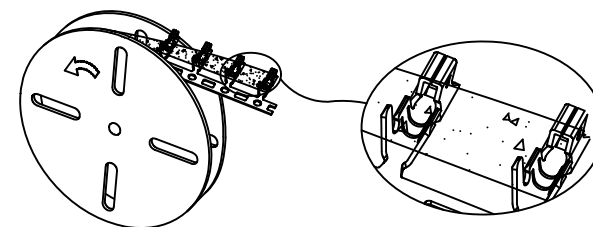
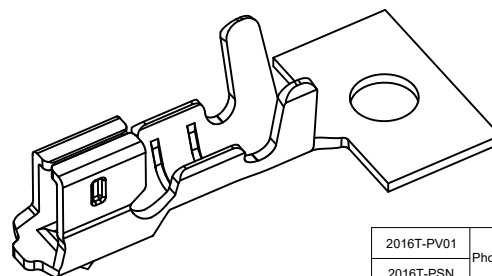
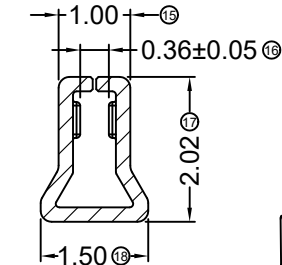
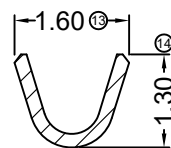
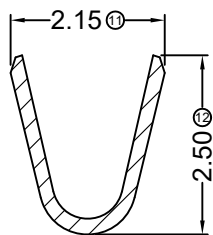


Specifications :

- Voltage rating: 100V AC / DC
- Current rating: 2A AC / DC
- Withstanding voltage: 800V AC/minute
- Temperature range: -25°C~+85°C
- Insulation resistance: $\geq 1000M\Omega$
- Contact resistance: $\leq 10m\Omega$
- After environmental testing: $\leq 20m\Omega$

2016 T X-P XXX X - X
① ② ③ ④ ⑤ ⑥ ⑦

- ① Series Number
- ② Category: T-terminal
- ③ Shape: Blank-ordinary
- ④ Material: P-Phosphor bronze
- ⑤ Plating style: V01-Gold Flash ; SN-Bright tin plating
- ⑥ Plating method: Blank-Stamping before plating
B-Plating before stamping
- ⑦ Mold No./Mark/Special No.



卷装方式

SCALE 4:1

2016T-PV01	Phosphor Bronze	AWG#24-30	1.50mm(Max)	Stamping Before plating:30u" MIN. Ni; Whole Gold :Gold Flash	2016H
2016T-PSN				Stamping Before plating:30u" MIN. Ni; 70u"Sn	
PART NO	Material	Wire Range	Insulation O.D.	Finish	Used In ADZL Housing

DATE	OLD REV	NEW REV	ECN	DESCRIPTION	CHECK	APPROVAL	PROJECT

GENERAL TOLERANCE
.X ± 0.30
.XX ± 0.20
.XXX ± 0.10

ADZL 东莞市思量连接器有限公司
DONGGUAN ADZL CONNECTORS CO.,LTD.

APPROVAL	CHECK	DRAWN	DATE
Ken	Zhao Hong	Allen	2021/11/30

PART NO. 2016T-PXXXX			
TITLE 2.00 mm Crimp Style Connectors			
UNIT MM	SCALE 1:1	NUMBER	REV

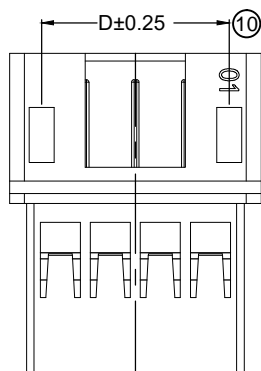
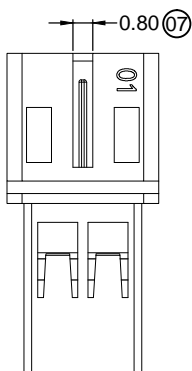
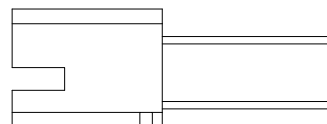
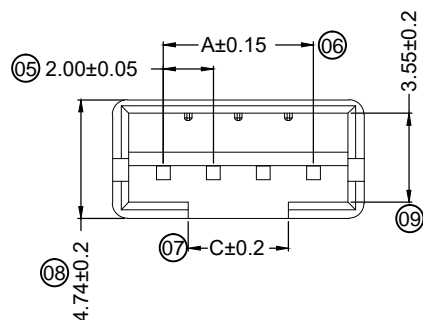
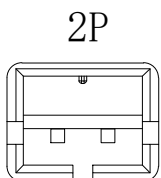
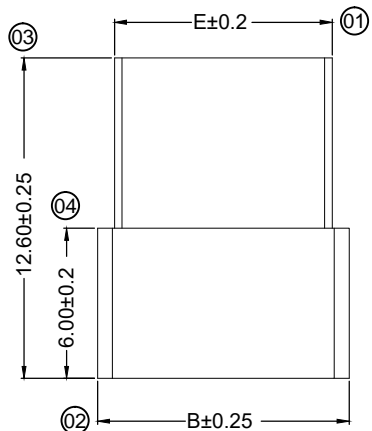
■ Specifications :

- Voltage rating: 125V AC / DC
- Current rating: 2A AC / DC
- Withstanding voltage: 250V AC/minute
- Temperature range: -25°C~+85°C
- Insulation resistance: ≥100MΩ
- Contact resistance: ≤20mΩ
- After environmental testing: ≤40mΩ

2016 H F-XX X-N0 XX

① ②③④⑤⑥⑦

- ① Series No.
- ② Category: H-HSG
- ③ Welding Board Angle: F-Female HSG
- ④ Row No.-Pin No.: XX-02P~20P
- ⑤ Plug the Pin & special No. :
- ⑥ Material: N0-PA66 94V-0;
- ⑦ Color: Blank-natural color; BK-Black



Contacts	Dimensions(mm)				
	Dim A	Dim B	Dim C	Dim D	Dim E
02P	2.00	6.00	0.80	3.50	4.70
03P	4.00	8.00	2.00	5.50	6.70
04P	6.00	10.00	4.00	7.50	8.70
05P	8.00	12.00	6.00	9.50	10.70
06P	10.00	14.00	8.00	11.50	12.70
07P	12.00	16.00	10.00	13.50	14.70
08P	14.00	18.00	12.00	15.50	16.70
09P	16.00	20.00	14.00	17.50	18.70
10P	18.00	22.00	16.00	19.50	20.70
11P	20.00	24.00	18.00	21.50	22.70
12P	22.00	26.00	20.00	23.50	24.70
13P	24.00	28.00	22.00	25.50	26.70
14P	26.00	30.00	24.00	27.50	28.70
15P	28.00	32.00	26.00	29.50	30.70
16P	30.00	34.00	28.00	31.50	32.70

2016HF-XX-N0BK	Nylon 66 UL 94V-0 Black	2016TM	2016H-XX
2016HF-XX-N0	Nylon 66 UL 94V-0		
PART NO	Material	Suitable ADZL Terminal	Mates With ADZL Housing

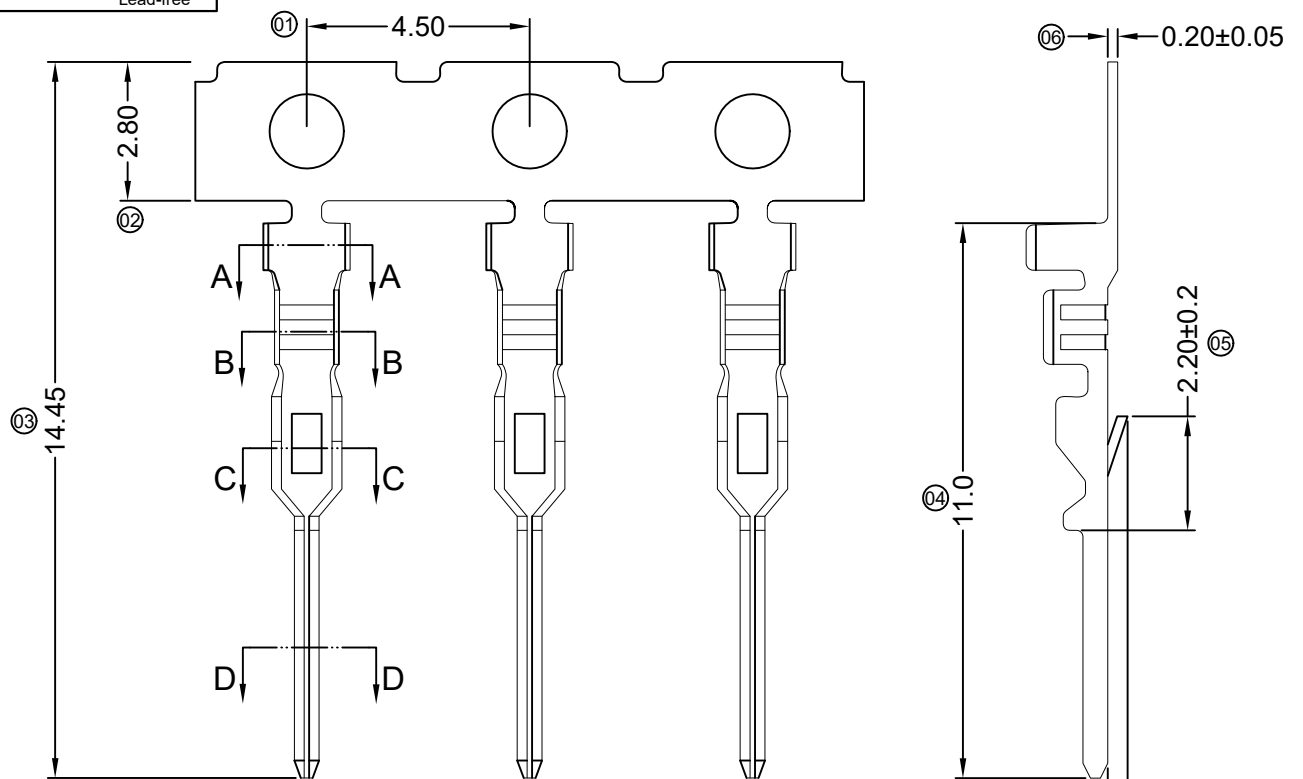
DATE	OLD REV	NEW REV	ECN	DESCRIPTION	CHECK	APPROVAL

GENERAL TOLERANCE
.X ±0.30
.XX ±0.20
.XXX ±0.10

 东莞市思量连接器有限公司
DONGGUAN ADZL CONNECTORS CO.,LTD.

APPROVAL	CHECK	DRAWN	DATA
Ken	Zhao Hong	Allen	2019/04/09

PART NO. 2016HF-XX-N0XX			
TITLE 2.00mm Crimp Style Connectors			
UNIT MM	SCALE 1:1	NUMBER	REV

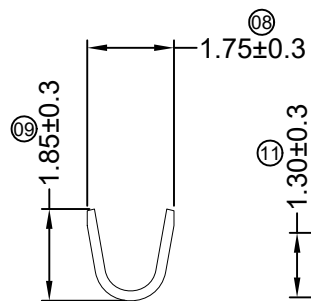


■ Specifications :

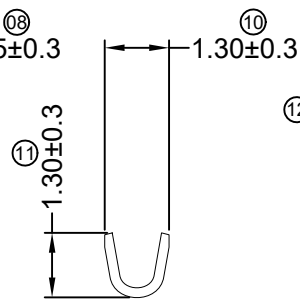
- Voltage rating: 100V AC / DC
- Current rating: 2A AC / DC
- Withstanding voltage: 800V AC/minute
- Temperature range: -25°C~+85°C
- Insulation resistance: ≥1000MΩ
- Contact resistance: ≤10mΩ
- After environmental testing: ≤20mΩ

2016 T M-P SN X - X
 ① ② ③ ④ ⑤ ⑥ ⑦

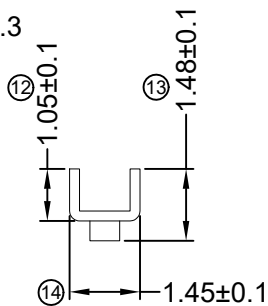
- ① Series Number
- ② Category: T-terminal
- ③ Shape: M-Male
- ④ Material: P-Phosphor bronze
- ⑤ Plating style: SN-Bright tin plating
- ⑥ Plating method: Blank-Stamping before plating
- ⑦ Mold No./Mark/Special No.



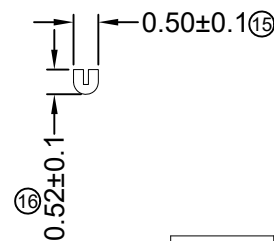
SECTION: A-A
SCALE: 1:1



SECTION: B-B
SCALE: 1:1



SECTION: C-C
SCALE: 1:1



SECTION: D-D
SCALE: 1:1

2016TM-PSN	Phosphor Bronze	AWG#26-28	1.30mm(Max)	Stamping Before plating:30u" MIN. Ni; 70u"Sn	2016HF
PART NO	Material	Wire Range	Insulation O.D.	Finish	Used In ADZL Housing

DATE	OLD REV	NEW REV	ECN	DESCRIPTION	CHECK	APPROVAL

GENERAL TOLERANCE

.X	±0.30
.XX	±0.20
.XXX	±0.10

 东莞市思量连接器有限公司
DONGGUAN ADZL CONNECTORS CO.,LTD.

APPROVAL	CHECK	DRAWN	DATA
Ken	Zhao Hong	Allen	2019/04/09

PART NO. 2016TM-PSN			
TITLE 2.00 mm Crimp Style Connectors			
UNIT MM	SCALE 1:1	NUMBER	REV