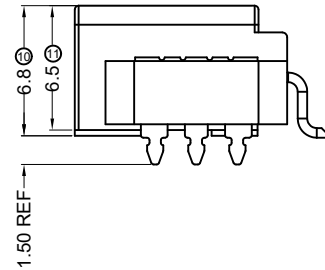
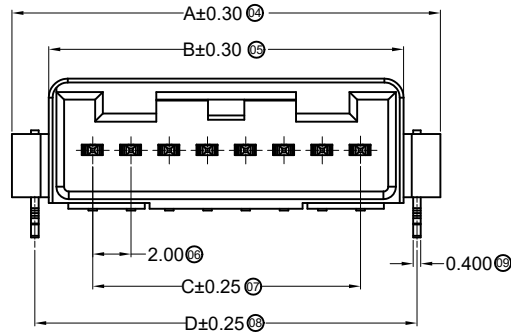


■ Specifications :

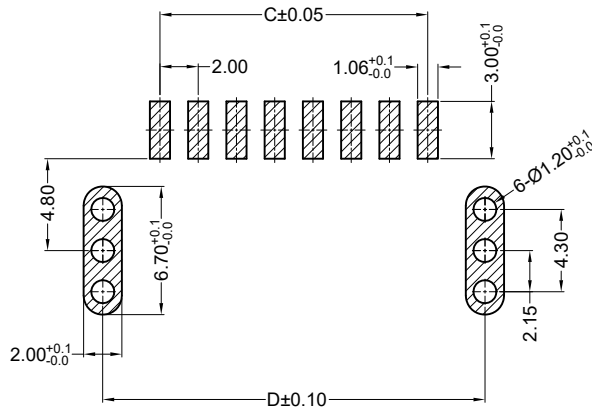
- Voltage rating: 250V AC / DC
- Current rating: 3A AC / DC
- Withstanding voltage: 650V AC/minute
- Temperature range: -45°C~+105°C
- Insulation resistance: ≥100MΩ
- Contact resistance: ≤30mΩ
- After environmental testing: ≤60mΩ



2010 W R S-XX X -PP SN BK R

- ① ② ③ ④ ⑤ ⑥ ⑦ ⑧ ⑨ ⑩

- ① Series No.
- ② Category: W-wafer
- ③ Welding Board Angle: R- Right Angle 90°
- ④ Welding Way: S-SMT
- ⑤ Row No.-Pin No.: XX-02P~14P
- ⑥ Plug the Pin & Special No.:
- ⑦ Material: PP-PPS 94V-0
- ⑧ Planting Category: SN-Bright tin plating
- ⑨ Color: BK-Black
- ⑩ Packing Form: R-Reel



RECOMMENDED P.C.B LAYOUT
(TOLERANCE:±0.05)

Poles	Dimensions (mm)			
	A	B	C	D
02	12.90	9.05	2.00	10.58
03	13.70	9.85	4.00	11.28
04	14.40	10.55	6.00	11.98
05	17.80	13.95	8.00	15.38
06	18.40	14.55	10.00	15.98
07	21.40	17.55	12.00	18.98
08	22.40	18.55	14.00	19.98
10	26.40	22.55	18.00	23.98
14	36.40	30.55	26.00	31.78

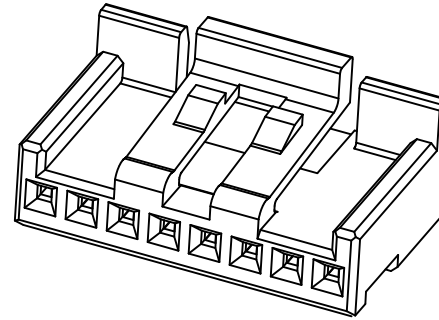
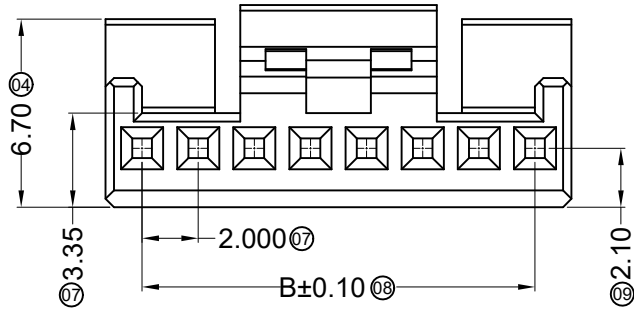
2010WRS-XX-PPSNBKR	PPS UL 94V-0	Brass	Plating Tin	Brass	Plating Tin	2010H
PART NO	Material	Material(Pin)	Finish(Pin)	Material (Solder Tabs)	Finish (Solder Tabs)	Mates With ADZL Housing

DATE	OLD REV	NEW REV	ECN	DESCRIPTION	CHECK	APPROVAL

GENERAL TOLERANCE	X ±0.30
	XX ±0.20
	XXX ±0.10
PROJECT	

东莞市思量连接器有限公司 DONGGUAN ADZL CONNECTORS CO.,LTD.			
APPROVAL	CHECK	DRAWN	DATA
Ken	Zhao Hong	Allen	2018/01/11

PART NO.			
2010WRS-XX-PPSNBKR			
TITLE			
2.00 mm Crimp Style Connectors			
UNIT	SCALE	NUMBER	REV
MM	1 : 1		

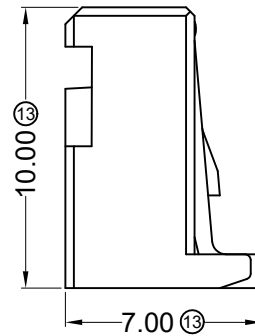
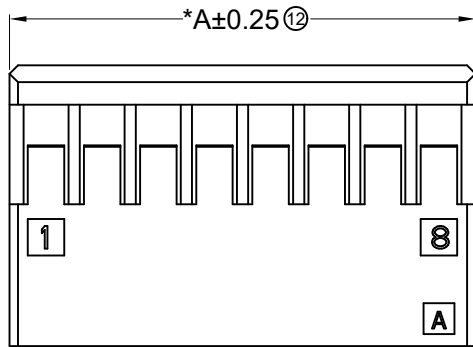


■ Specifications :

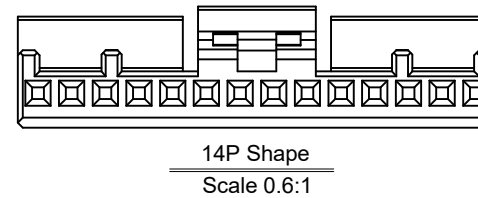
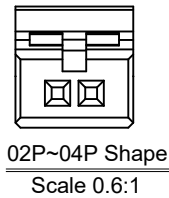
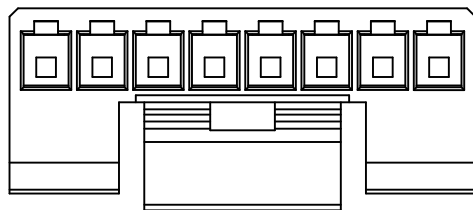
- Voltage rating: 250V AC / DC
- Current rating: 3A AC / DC
- Withstanding voltage: 650V AC/minute
- Temperature range: -45°C~+105°C
- Insulation resistance: ≥100MΩ
- Contact resistance: ≤30mΩ
- After environmental testing: ≤60mΩ

2010 H X-XX X-PT BK
 ① ② ③ ④ ⑤ ⑥ ⑦

- ① Series No.
- ② Category: H-HSG
- ③ Welding Board Angle: Blank-Ordinary
- ④ Row No.-Pin No.: XX-02~12P
- ⑤ Special No.
- ⑥ Material: PT-PBT 94V-0
- ⑦ Color: BK-Black



Poles	Dimensions (mm)	
	A	B
02	7.00	2.00
03	7.90	4.00
04	8.60	6.00
05	12.00	8.00
06	12.60	10.00
07	15.60	12.00
08	16.60	14.00
10	20.60	18.00
14	28.40	26.00



2010H-XX-PTBK	PBT UL 94V-0	2010T	2010WRS/2010WR
PART NO	Material	Suitable ADZL Terminal	Suitable ADZL Wafer

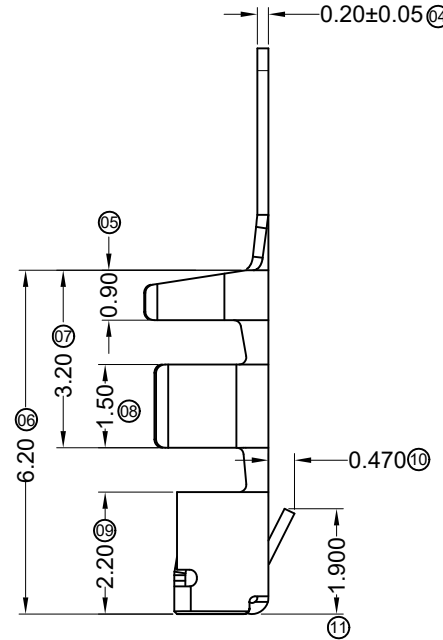
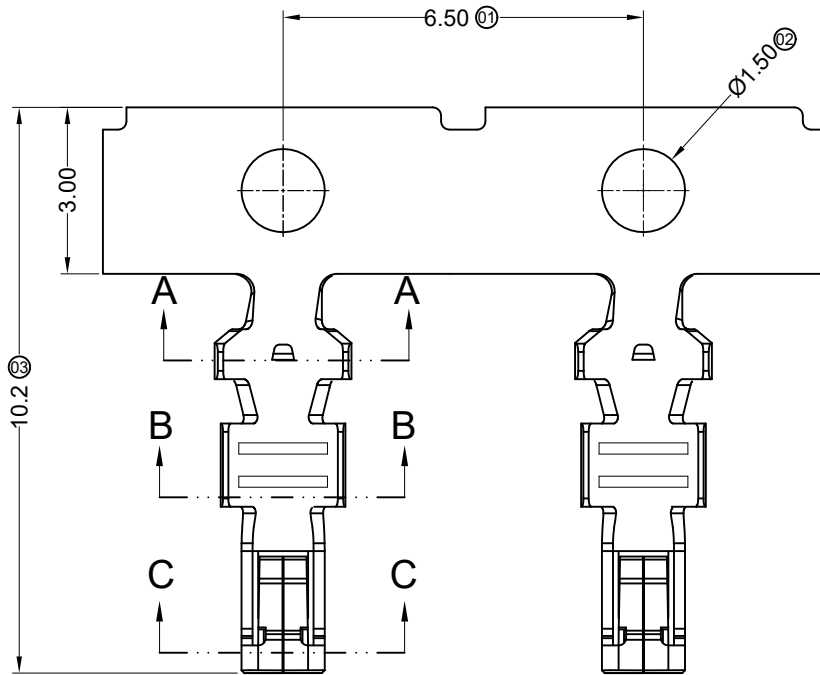
DATE	OLD REV	NEW REV	ECN	DESCRIPTION	CHECK	APPROVAL

GENERAL TOLERANCE	
.X	±0.30
.XX	±0.20
.XXX	±0.10
PROJECT	
⊕	⊖



APPROVAL	CHECK	DRAWN	DATA
Ken	Zhao Hong	Allen	2017/12/22

PART NO.			
2010H-XX-PTBK			
TITLE			
2.00 mm Crimp Style Connectors			
UNIT	SCALE	NUMBER	REV
MM	1:1		

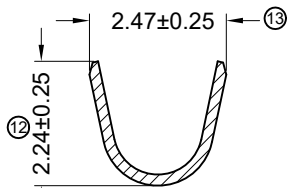


Specifications :

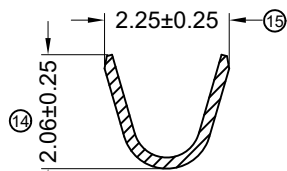
- Voltage rating: 250V AC / DC
- Current rating: 3A AC / DC
- Withstanding voltage: 650V AC/minute
- Temperature range: -45°C~+105°C
- Insulation resistance: ≥1000MΩ
- Contact resistance: ≤30mΩ
- After environmental testing: ≤60mΩ

2010 T X-P SN X-X
① ②③④ ⑤⑥⑦

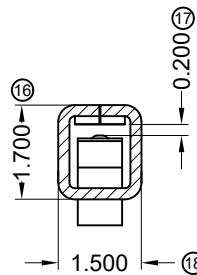
- ① Series Number
- ② Category: T-terminal
- ③ Shape: Blank-ordinary
- ④ Material: P-Phosphor bronze
- ⑤ Plating style: SN-Bright tin plating
- ⑥ Plating method: Blank-Stamping before plating
B-Plating before stamping
- ⑦ Mold No./Mark/Special No. :
空码-Without Mark M-SWB Mark



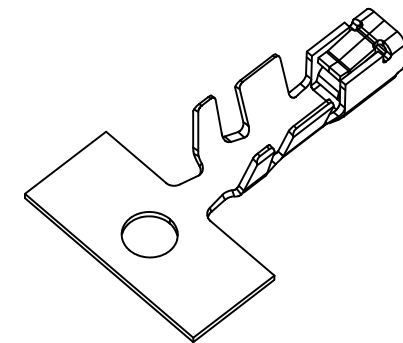
SECTION A-A
SCALE 1:1



SECTION B-B
SCALE 1:1



SECTION C-C
SCALE 1:1



2010T-PSNX-X	Phosphor Bronze	AWG#20-22	1.50mm(Max)	Stamping Before Plating:30u" Ni Min;80u"Sn Min	2010H
PART NO	Material	Wire Range	Insulation O.D.	Finish	Used In ADZL Housing

DATE	OLD REV	NEW REV	ECN	DESCRIPTION	CHECK	APPROVAL

GENERAL TOLERANCE
.X ±0.30
.XX ±0.20
.XXX ±0.10



ADZL 东莞市思量连接器有限公司
DONGGUAN ADZL CONNECTORS CO.,LTD.

APPROVAL	CHECK	DRAWN	DATA
Ken	Zhao Hong	Allen	2017/12/22

PART NO.			
2010T-PSNX-X			
TITLE			
2.00 mm Crimp Style Connectors			
UNIT	SCALE	NUMBER	REV
MM	1:1		