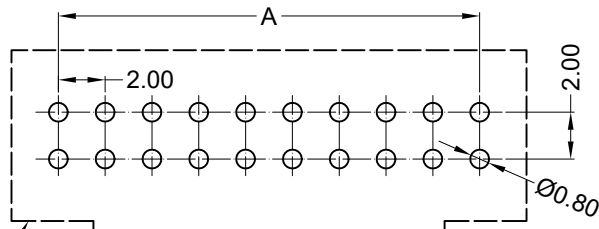
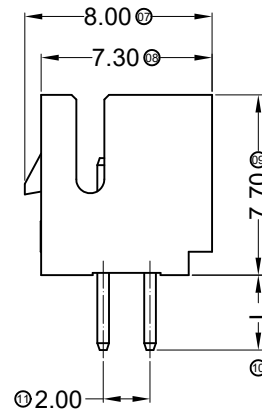
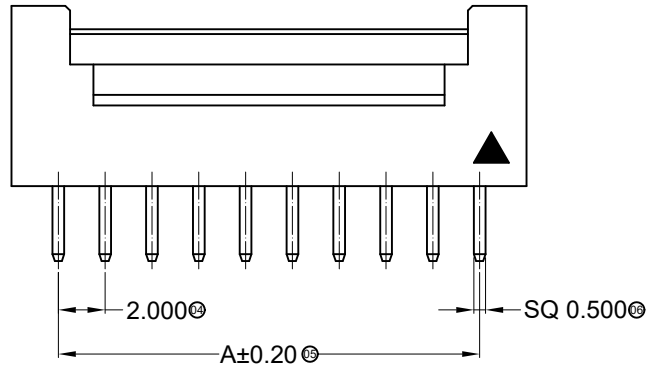


■ Specifications :

- Voltage rating: 250V AC / DC
- Current rating: 3A AC / DC
- Withstanding voltage: 1000V AC/minute
- Temperature range: -25°C~+85°C
- Insulation resistance: ≥1000MΩ
- Contact resistance: ≤30mΩ
- After environmental testing: ≤50mΩ
- Material(Pin): Brass
- Mates With ADZL Housing: 2026H-2*XXD-N0XXX

2026 W V X-2*XX DX -XX XX XX X
 ① ② ③ ④ ⑤ ⑥ ⑦ ⑧ ⑨ ⑩

- ① Series No.
- ② Category: W-WAFER
- ③ Welding Board Angle: V-Straight 180°
- ④ Welding Way: Blank-DIP
- ⑤ Row No.-Pin No.: 2*XX-2*04P~2*30P
- ⑥ Plug the Pin & Special No.:
 D-With Lock in the middle, L=3.2mm
 D1-With Lock in the middle, L=2.5mm
 D2-With Lock in the middle, L=2.0mm
- ⑦ Material: 46 -PA46 94V-0; LP-LCP 94V-0
- ⑧ Plating Category:
 SN-Bright Tin Plating ;SW-Matte Tin Plating
 V01-All Gold Flash;V03-All Gold-Plated 3u"
 V05-All Gold-Plated 5u"
- ⑨ Color : Blank-Natural Color
- ⑩ Vehicle code: Blank-ordinary Q-For cars



Recommended P.C.B Layout
 General Tolerance±0.05

Poles	Dimensions (mm)			Poles	Dimensions (mm)			Poles	Dimensions (mm)		
	A	B	C		A	B	C		A	B	C
2*02	2.00	6.00	4.90	2*09	16.00	20.00	18.90	2*16	30.00	34.00	32.90
2*03	4.00	8.00	6.90	2*10	18.00	22.00	20.90	2*17	32.00	36.00	34.90
2*04	6.00	10.00	8.90	2*11	20.00	24.00	22.90	2*18	34.00	38.00	36.90
2*05	8.00	12.00	10.90	2*12	22.00	26.00	24.90	2*19	36.00	40.00	38.90
2*06	10.00	14.00	12.90	2*13	24.00	28.00	26.90	2*20	38.00	42.00	40.90
2*07	12.00	16.00	14.90	2*14	26.00	30.00	28.90	2*30	58.00	62.00	60.90
2*08	14.00	18.00	16.90	2*15	28.00	32.00	30.90				

DATE	OLD REV	NEW REV	ECN	DESCRIPTION	CHECK	APPROVAL	PROJECT	

GENERAL TOLERANCE	
.X	±0.30
.XX	±0.20
.XXX	±0.10
PROJECT	

ADZL 东莞市思量连接器有限公司
 DONGGUAN ADZL CONNECTORS CO.,LTD.

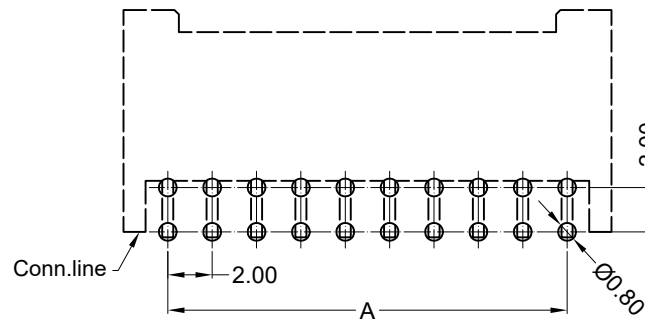
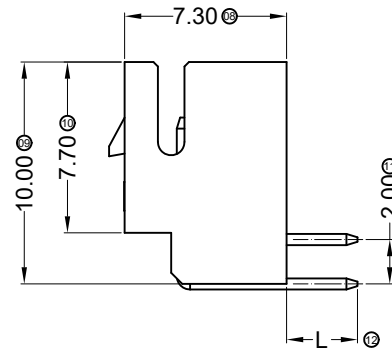
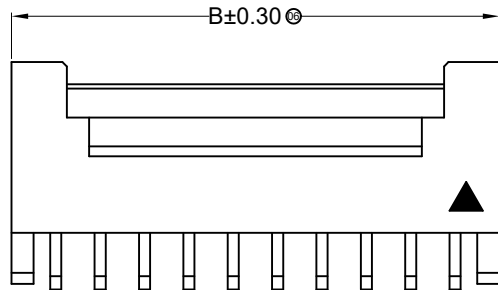
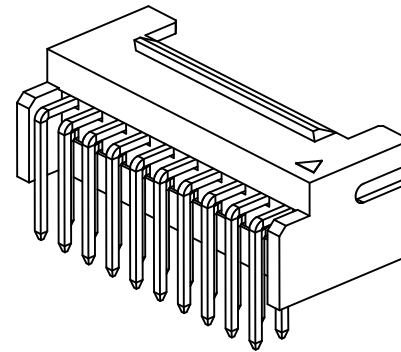
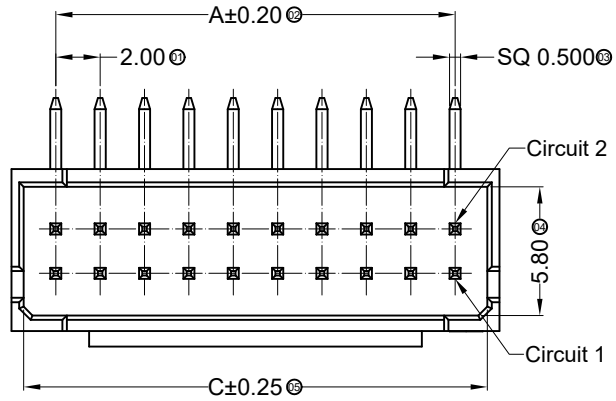
APPROVAL	CHECK	DRAWN	DATA
Ken	Zhao Hong	Allen	2014/07/11

PART NO.			
2026WV-2*XXDX-XXXXXX X			
TITLE			
2.00mm Crimp Style Connectors			
UNIT	SCALE	NUMBER	REV
MM	1 : 1		

RoHS

WWW.ADZLCONN.COM

TEL:0769-82285488



Recommended P.C.B Layout
General Tolerance±0.05

Specifications :

- Voltage rating: 250V AC / DC
- Current rating: 3A AC / DC
- Withstanding voltage: 1000V AC/minute
- Temperature range: -25°C~+85°C
- Insulation resistance:≥1000MΩ
- Contact resistance: ≤30mΩ
- After environmental testing: ≤50mΩ
- Material(Pin): Brass
- Mates With ADZL Housing: 2026H-2*XXD-N0XXX

2026 W R X-2*XX DX -XX XX XX X
① ② ③ ④ ⑤ ⑥ ⑦ ⑧ ⑨ ⑩

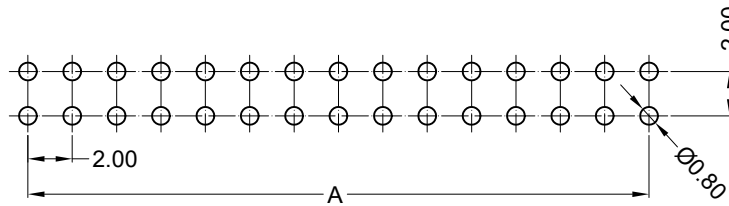
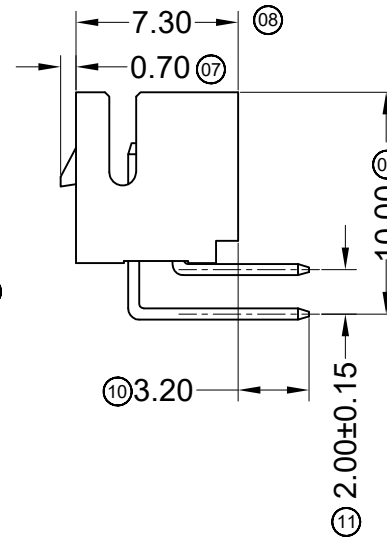
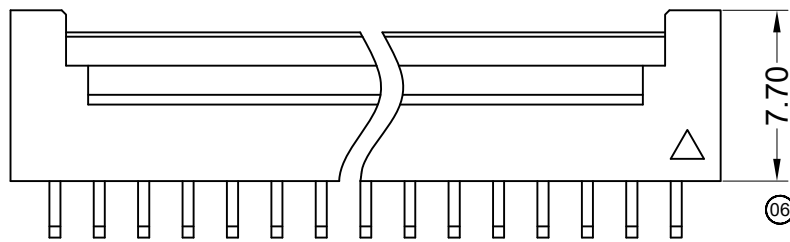
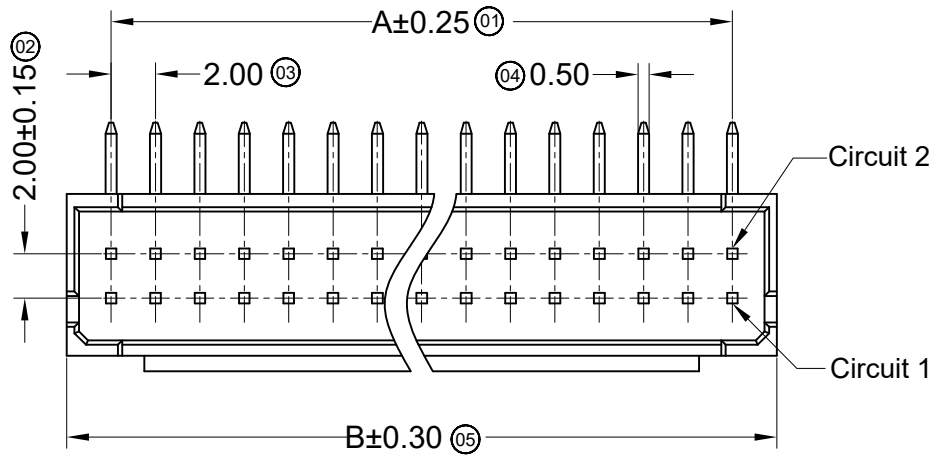
- ① Series No.
- ② Category: W-WAFER
- ③ Welding Board Angle: R-Right Angle 90°
- ④ Welding Way: Blank-DIP
- ⑤ Row No.-Pin No.: 2*XX-2*04P~2*30P
- ⑥ Plug the Pin & Special No.:
D-With Lock in the middle, L=3.2mm
D1-With Lock in the middle, L=2.5mm
- ⑦ Material: 46 -PA46 94V-0 ; LP -LCP 94V-0
- ⑧ Plating Category:
SN-Bright Tin Plating ;SW-Matte Tin Plating
V01-All Gold Flash;V03-All Gold-Plated 3u"
- ⑨ Color : Blank-Natural Color ;RE-Red;BL-Blue
- ⑩ Packaging: Blank-PE Bag; R-Reel; T-Tray
- ⑪ Vehicle code: Blank-ordinary Q-For cars

Poles	Dimensions (mm)			Poles	Dimensions (mm)			Poles	Dimensions (mm)		
	A	B	C		A	B	C		A	B	C
2*02	2.00	6.00	4.90	2*09	16.00	20.00	18.90	2*16	30.00	34.00	32.90
2*03	4.00	8.00	6.90	2*10	18.00	22.00	20.90	2*17	32.00	36.00	34.90
2*04	6.00	10.00	8.90	2*11	20.00	24.00	22.90	2*18	34.00	38.00	36.90
2*05	8.00	12.00	10.90	2*12	22.00	26.00	24.90	2*19	36.00	40.00	38.90
2*06	10.00	14.00	12.90	2*13	24.00	28.00	26.90	2*20	38.00	42.00	40.90
2*07	12.00	16.00	14.90	2*14	26.00	30.00	28.90	2*30	58.00	62.00	60.90
2*08	14.00	18.00	16.90	2*15	28.00	32.00	30.90				

				GENERAL TOLERANCE				PART NO.							
				.X ±0.30				2026WR-2*XXDX-XXXXXX X							
				.XX ±0.20				TITLE							
				.XXX ±0.10				2.00mm Crimp Style Connectors							
DATE	OLD REV	NEW REV	ECN	DESCRIPTION	CHECK	APPROVAL	PROJECT	APPROVAL	CHECK	DRAWN	DATA	UNIT	SCALE	NUMBER	REV
							Ken	Zhao Hong	Allen	2018/01/30		MM	1 : 1		

ADZL 东莞市思量连接器有限公司
DONGGUAN ADZL CONNECTORS CO.,LTD.





Recommended P.C.B Layout
General Tolerance±0.05

Specifications :

- Voltage rating: 250V AC / DC
- Current rating: 3A AC / DC
- Withstanding voltage: 1000V AC/minute
- Temperature range: -25°C~+85°C
- Insulation resistance: ≥1000MΩ
- Contact resistance: ≤30mΩ
- After environmental testing: ≤50mΩ
- Material(Pin): Brass
- Mates With ADZL Housing: 2026H-2*XXD-N0XXX

2026 W R X-2*XX DS -46 XX XX
① ② ③ ④ ⑤ ⑥ ⑦ ⑧ ⑨

- ① Series No.
- ② Category: W-WAFER
- ③ Welding Board Angle: R-90°
- ④ Welding Way: Blank-DIP
- ⑤ Row No.-Pin No.: XX-Single Row ; 2*XX-Double Row
- ⑥ Plug the Pin & Special No. :
DS- With Lock in the middle and Without Positioning plate
- ⑦ Material: 46 -PA46 94V-0
- ⑧ Plating Category: SN-Bright Tin Plating ;SW-Matte Tin Plating
V01-All Gold Flash;V03-All Gold-Plated 3u'
- ⑨ Color : Blank-Natural Color

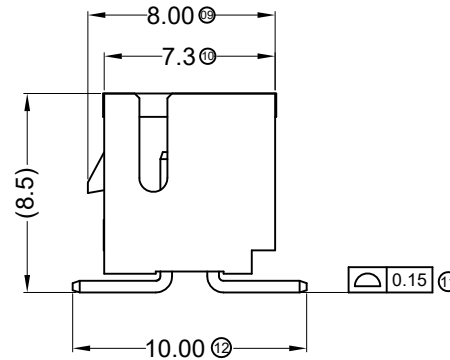
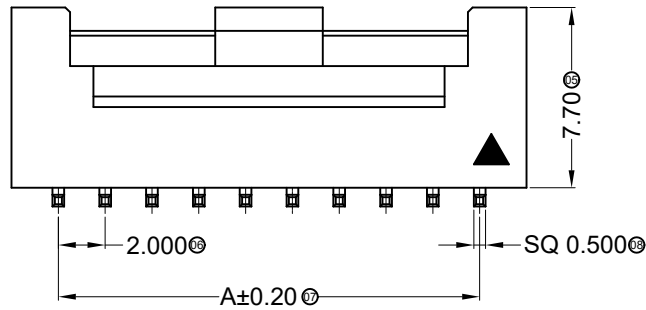
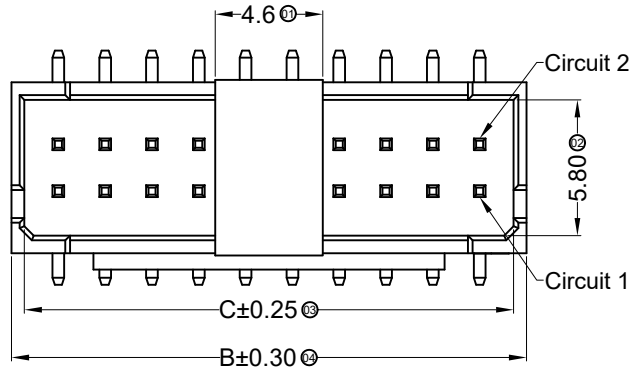
Poles	Dimensions (mm)		Poles	Dimensions (mm)		Poles	Dimensions (mm)	
	A	B		A	B		A	B
2*02			2*09	16.00	20.00	2*16	30.00	34.00
2*03			2*10	18.00	22.00	2*17	32.00	36.00
2*04	6.00	10.00	2*11	20.00	24.00	2*18	34.00	38.00
2*05	8.00	12.00	2*12	22.00	26.00	2*19	36.00	40.00
2*06	10.00	14.00	2*13	24.00	28.00	2*20	38.00	42.00
2*07	12.00	16.00	2*14	26.00	30.00	2*30	58.00	62.00
2*08	14.00	18.00	2*15	28.00	32.00			

DATE	OLD REV	NEW REV	ECN	DESCRIPTION	CHECK	APPROVAL

GENERAL TOLERANCE	
.X	±0.30
.XX	±0.20
.XXX	±0.10
PROJECT	

东莞市思量连接器有限公司 DONGGUAN ADZL CONNECTORS CO.,LTD.			
APPROVAL	CHECK	DRAWN	DATA
Ken	Zhao Hong	Allen	2018/01/30

PART NO.			
2026WR-2*XXDS-46XX			
TITLE			
2.00mm Crimp Style Connectors			
UNIT	SCALE	NUMBER	REV
MM	1 : 1		



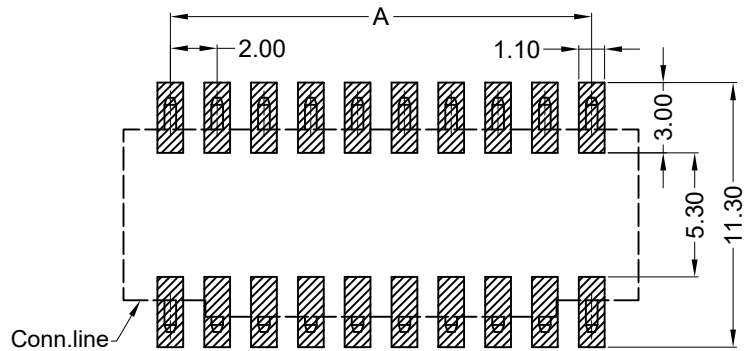
■ Specifications :

- Voltage rating: 250V AC / DC
- Current rating: 3A AC / DC
- Withstanding voltage: 1000V AC/minute
- Temperature range: -25°C~+85°C
- Insulation resistance: ≥1000MΩ
- Contact resistance: ≤30mΩ
- After environmental testing: ≤50mΩ
- Material(Pin): Brass
- Mates With ADZL Housing: 2026H-2*XXD-N0XXX

2026 W V S-2*XX D -LP SN XX C
 ① ② ③ ④ ⑤ ⑥ ⑦ ⑧ ⑨ ⑩

- ① Series No.
- ② Category: W-WAFER
- ③ Welding Board Angle: V-Straight 180°
- ④ Welding Way: S-SMT
- ⑤ Row No.-Pin No.: 2*XX-2*02P~2*30P
- ⑥ Plug the Pin & Special No.: D-With Lock in the middle
- ⑦ Material: LP-LCP 94V-0
- ⑧ Plating Category: SN-Bright Tin Plating
- ⑨ Color : Blank-Natural Color
- ⑩ Packing Form: C-Reel with Cap

Poles	Dimensions (mm)			Poles	Dimensions (mm)			Poles	Dimensions (mm)		
	A	B	C		A	B	C		A	B	C
2*02	2.00	6.00	4.90	2*09	16.00	20.00	18.90	2*16	30.00	34.00	32.90
2*03	4.00	8.00	6.90	2*10	18.00	22.00	20.90	2*17	32.00	36.00	34.90
2*04	6.00	10.00	8.90	2*11	20.00	24.00	22.90	2*18	34.00	38.00	36.90
2*05	8.00	12.00	10.90	2*12	22.00	26.00	24.90	2*19	36.00	40.00	38.90
2*06	10.00	14.00	12.90	2*13	24.00	28.00	26.90	2*20	38.00	42.00	40.90
2*07	12.00	16.00	14.90	2*14	26.00	30.00	28.90	2*30	58.00	62.00	60.90
2*08	14.00	18.00	16.90	2*15	28.00	32.00	30.90				



Recommended P.C.B Layout
 General Tolerance±0.05

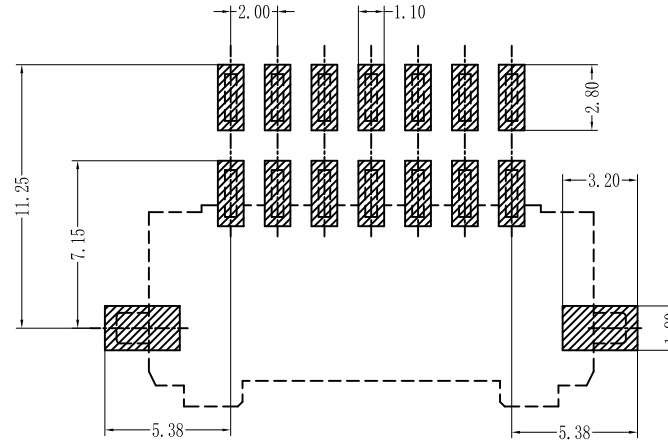
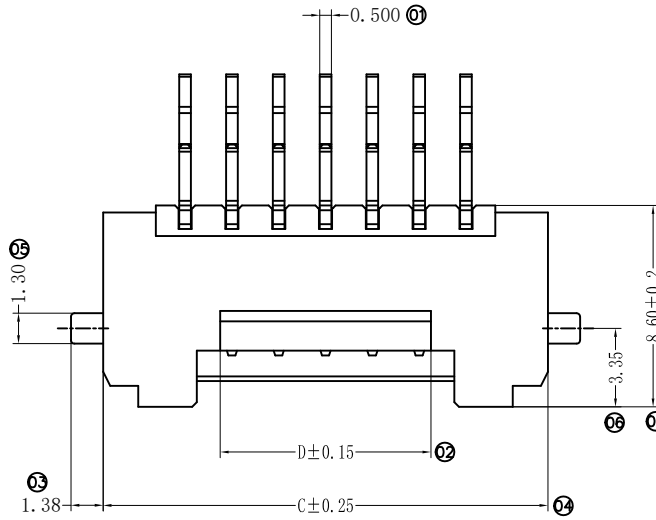
DATE	OLD REV	NEW REV	ECN	DESCRIPTION	CHECK	APPROVAL	PROJECT	

GENERAL TOLERANCE
 .X ±0.30
 .XX ±0.20
 .XXX ±0.10

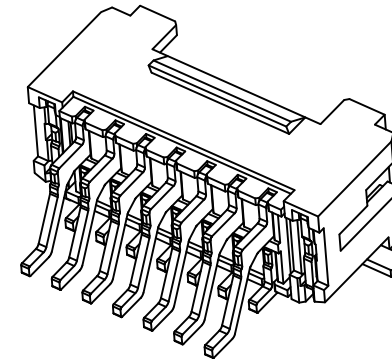
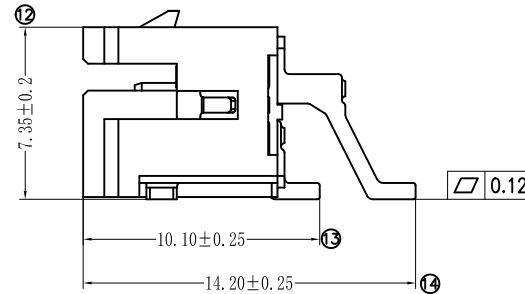
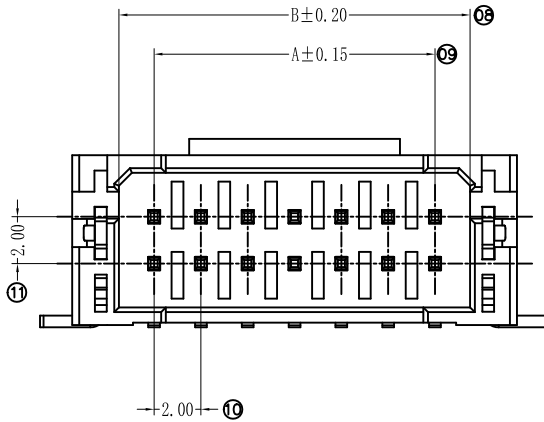
ADZL 东莞市思量连接器有限公司
 DONGGUAN ADZL CONNECTORS CO.,LTD.

APPROVAL: Ken
 CHECK: Zhao Hong
 DRAWN: Allen
 DATA: 2017/02/01

PART NO. 2026WVS-2*XXD-LPSNC
 TITLE 2.00mm Crimp Style Connectors
 UNIT: MM, SCALE: 1:1, NUMBER, REV



PCB LAYOUT(Tolerance:±0.05)



■ Specifications :

- Voltage rating: 250V AC / DC
- Current rating: 3A AC / DC
- Withstanding voltage: 1000V AC/minute
- Temperature range: -25°C~+85°C
- Insulation resistance:≥1000MΩ
- Contact resistance: ≤30mΩ
- After environmental testing: ≤50mΩ
- Material(Pin): Brass
- Mates With ADZL Housing: 2026H-2*XXD-N0XXX

2026 W R S-2*XX D -XX SW XX C
 ① ② ③ ④ ⑤ ⑥ ⑦ ⑧ ⑨ ⑩

- ① Series No.
- ② Category: W-WAFER
- ③ Welding Board Angle: R-Straight 90°
- ④ Welding Way: S-SMT
- ⑤ Row No.-Pin No.: 2*XX-2*02P~2*30P
- ⑥ Plug the Pin & Special No.: D-With Lock in the middle
- ⑦ Material: LP -LCP 94V-0 9T-PA9T
- ⑧ Plating Category: SW-Matte Tin plating
- ⑨ Color : Blank-Natural Color
- ⑩ Packing Form: C-Reel with Cap

Poles	Dimensions(mm)			
	A	B	C	D
2*02	2.00	5.00	9.00	3.00
2*03	4.00	7.00	11.00	3.00
2*04	6.00	9.00	13.00	3.00
2*05	8.00	11.00	15.00	5.00
2*06	10.00	13.00	17.00	7.00
2*07	12.00	15.00	19.00	9.00
2*08	14.00	17.00	21.00	11.00
2*09	16.00	19.00	23.00	13.00
2*10	18.00	21.00	25.00	15.00
2*11	20.00	23.00	27.00	17.00
2*12	22.00	25.00	29.00	19.00
2*13	24.00	27.00	31.00	21.00
2*14	26.00	29.00	33.00	23.00
2*15	28.00	31.00	35.00	25.00

DATE	OLD REV	NEW REV	ECN	DESCRIPTION	CHECK	APPROVAL

GENERAL TOLERANCE	
.X	±0.30
.XX	±0.20
.XXX	±0.10
PROJECT	

东莞市思量连接器有限公司 DONGGUAN ADZL CONNECTORS CO.,LTD.			
APPROVAL	CHECK	DRAWN	DATA
Ken	Zhao Hong	Allen	2024/06/21

PART NO. 2026WRS-2*XXD-XXSW			
TITLE 2.00mm Crimp Style Connectors			
UNIT MM	SCALE 1:1	NUMBER	REV

■ Specifications :

- Voltage rating: 250V AC / DC
- Current rating: 3A AC / DC
- Withstanding voltage: 1000V AC/minute
- Temperature range: -25°C~+85°C
- Insulation resistance: ≥1000MΩ
- Contact resistance: ≤30mΩ
- After environmental testing: ≤50mΩ

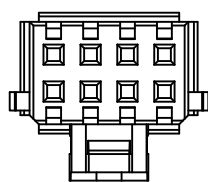
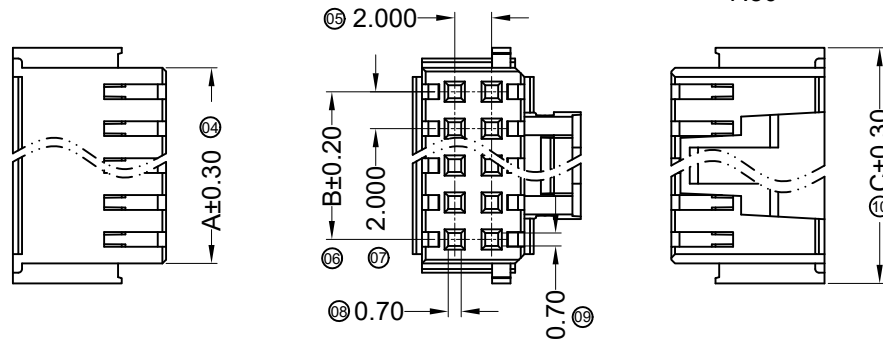
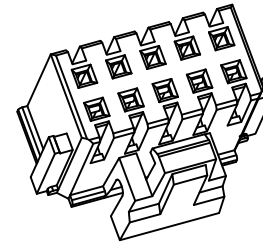
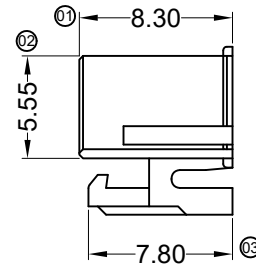
2026 H X-2*XX D-N0 XX

① ② ③ ④ ⑤ ⑥ ⑦

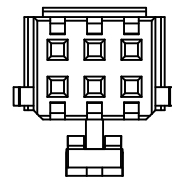
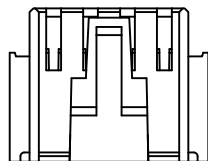
- ① Series No.
- ② Category: H-HSG
- ③ Appearance type: Blank-Ordinary
- ④ Row No.-Pin No.: 2*XX-2*02P~2*20P
- ⑤ Plug the Pin & special No.:
D-With Lock in the middle
- ⑥ Material: N0-PA66 94V-0
- ⑦ Color: Blank-Natural Color

Poles	Dimensions (mm)			Poles	Dimensions (mm)		
	A	B	C		A	B	C
2*2PIN	4.60	2.00	6.76	2*12PIN	24.60	22.00	26.76
2*3PIN	6.60	4.00	8.76	2*13PIN	26.60	24.00	28.76
2*4PIN	8.60	6.00	10.76	2*14PIN	28.60	26.00	30.76
2*5PIN	10.60	8.00	12.76	2*15PIN	30.60	28.00	32.76
2*6PIN	12.60	10.00	14.76	2*16PIN	32.60	30.00	34.76
2*7PIN	14.60	12.00	16.76	2*17PIN	34.60	32.00	36.76
2*8PIN	16.60	14.00	18.76	2*18PIN	36.60	34.00	38.76
2*9PIN	18.60	16.00	20.76	2*19PIN	38.60	36.00	40.76
2*10PIN	20.60	18.00	22.76	2*20PIN	40.60	38.00	42.76
2*11PIN	22.60	20.00	24.76				

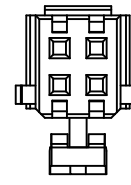
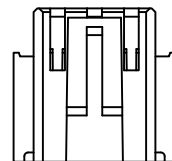
2026H-2*XXD-N0	Nylon 66 UL 94V-0	2026T-D	2026W-D
PART NO	Material	Suitable ADZL Terminal	Mates With ADZL Wafer



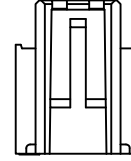
4P



3P



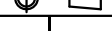
2P



GENERAL TOLERANCE

- .X ±0.30
- .XX ±0.20
- .XXX ±0.10

PROJECT



APPROVAL CHECK DRAWN DATA

Ken Zhao Hong Allen 2018/03/13

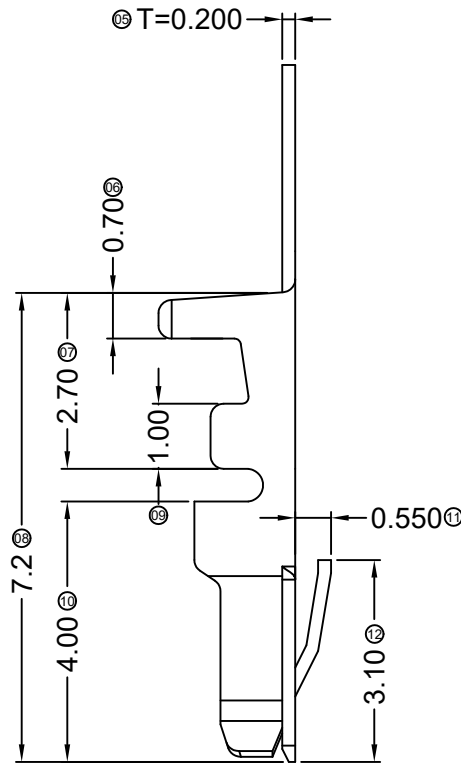
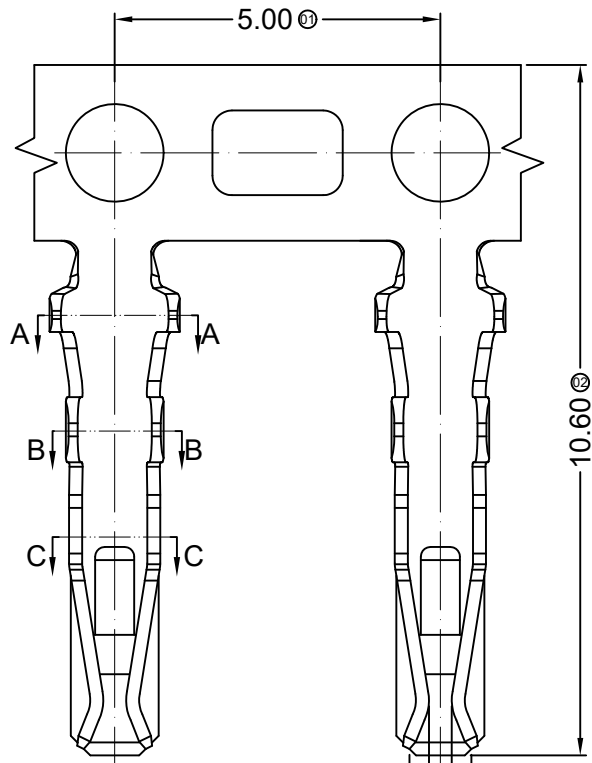
PART NO. 2026H-2*XXD-N0

TITLE 2.00mm Crimp Style Connectors

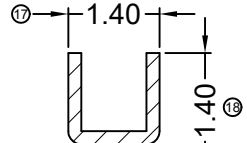
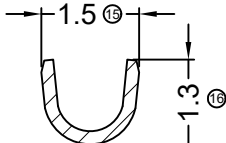
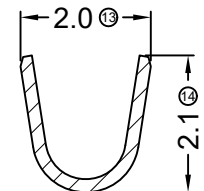
UNIT MM SCALE 1:1 NUMBER REV

DATE OLD REV NEW REV ECN DESCRIPTION CHECK APPROVAL

1 2 3 4



Dim G ⑬
0.95±0.05 ⑭



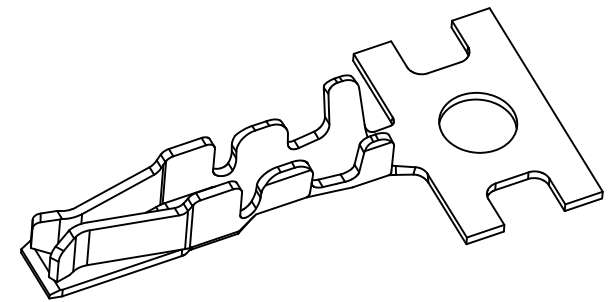
Dimensions "G"(mm)	
2026T-PXX-D	0.25
2026T-PXX-DL	0.35

■ Specifications :

- Voltage rating: 250V AC / DC
- Current rating: 3A AC / DC
- Withstanding voltage: 1000V AC/minute
- Temperature range: -25°C~+85°C
- Insulation resistance: ≥1000MΩ
- Contact resistance: ≤30mΩ
- After environmental testing: ≤50mΩ
- Material: Phosphor Bronze
- Wire Range: AWG#22-28
- Insulation O.D.: 1.60mm(Max)

2026 T X-P XXX X-XX
① ② ③ ④ ⑤ ⑥ ⑦

- ① Series Number
- ② Category: T-terminal
- ③ Shape: Blank-ordinary
- ④ Material: P-Phosphor bronze
- ⑤ Plating style:
SN-Bright tin plating ; G03-Contact Gold Plating 3u"
G01-Contact Gold flash ; V03-Whole Gold :3u" Min.
- ⑥ Plating method: Blank-Stamping before plating
Mold No./Mark/Special No.:
- ⑦ D-Mating 2026H-2*xxD Series (2*02~2*08Pin) Housing
DL-Mating 2026H-2*09D Series Above Housing



DATE	OLD REV	NEW REV	ECN	DESCRIPTION	CHECK	APPROVAL

GENERAL TOLERANCE	
.X	±0.30
.XX	±0.20
.XXX	±0.10



APPROVAL	CHECK	DRAWN	DATA
Ken	Zhao Hong	Allen	2018/05/08

PART NO.			
2026T-PXXX-DX			
TITLE			
2.00mm Crimp Style Connectors			
UNIT	SCALE	NUMBER	REV
MM	1:1		

■ Specifications :

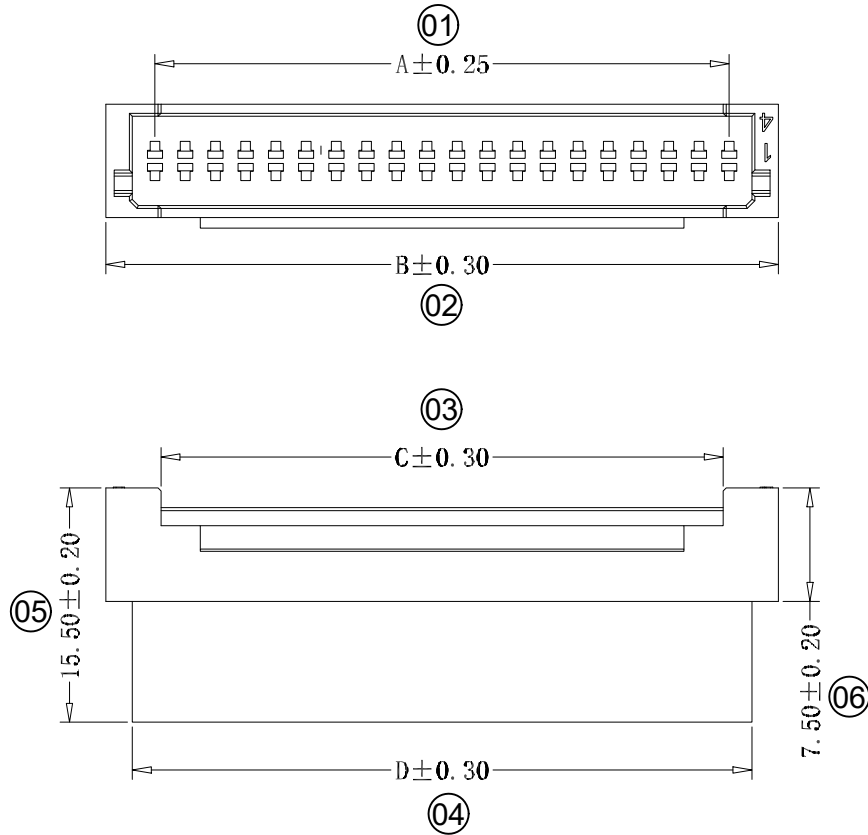
- Voltage rating: 250V AC / DC
- Current rating: 3A AC / DC
- Withstanding voltage: 1000V AC/minute
- Temperature range: -25°C~+85°C
- Insulation resistance:≥1000MΩ
- Contact resistance: ≤30mΩ
- After environmental testing: ≤50mΩ

2026 H X-2*XX D-N0 XX

① ②③ ④ ⑤ ⑥ ⑦

- ① Series No.
- ② Category: H-HSG
- ③ Appearance type: Blank-Ordinary
- ④ Row No.-Pin No.: 2*XX-2*02P~2*20P
- ⑤ Plug the Pin & special No.:
D-With Lock in the middle
- ⑥ Material: N0-PA66 94V-0
- ⑦ Color: Blank-Natural Color

Dimensional Ordering Information				
Circuits Part No	Dimensions			
	A	B	C	D
2*2P	2.00	8.50	3.50	5.00
2*3P	4.00	10.50	5.50	7.00
2*4P	6.00	12.50	7.50	9.00
2*5P	8.00	14.50	9.50	11.00
2*6P	10.00	16.50	11.50	13.00
2*7P	12.00	18.50	13.50	15.00
2*8P	14.00	20.50	15.50	17.00
2*9P	16.00	22.50	17.50	19.00
2*10P	18.00	24.50	19.50	21.00
2*11P	20.00	26.50	21.50	23.00
2*12P	22.00	28.50	23.50	25.00
2*13P	24.00	30.50	25.50	27.00
2*14P	26.00	32.50	27.50	29.00
2*15P	28.00	34.50	29.50	31.00
2*16P	30.00	36.50	31.50	33.00
2*17P	32.00	38.50	33.50	35.00
2*18P	34.00	40.50	35.50	37.00
2*19P	36.00	42.50	37.50	39.00
2*20P	38.00	44.50	39.50	41.00



2026HF-2*XXD-N0	Nylon 66 UL 94V-0	2026TM-D	2026H-2*XXD
PART NO	Material	Suitable ADZL Terminal	Mates With ADZL Wafer

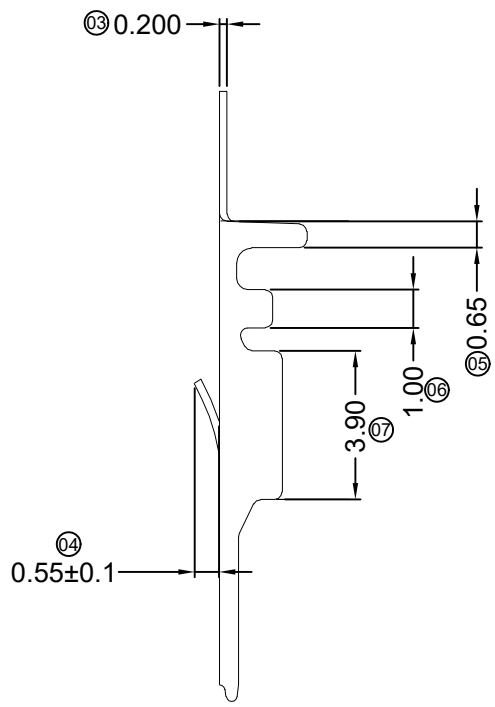
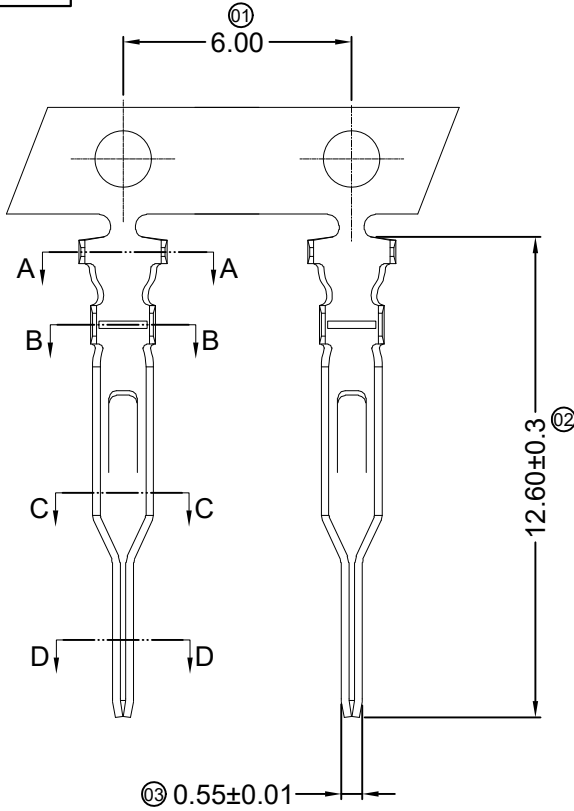
DATE	OLD REV	NEW REV	ECN	DESCRIPTION	CHECK	APPROVAL

GENERAL TOLERANCE	
.X	±0.30
.XX	±0.20
.XXX	±0.10
PROJECT	

ADZL 东莞市思量连接器有限公司
DONGGUAN ADZL CONNECTORS CO.,LTD.

APPROVAL	CHECK	DRAWN	DATA
Ken	Zhao Hong	Allen	2022/05/16

PART NO. 2026HF-2*XXD-N0			
TITLE 2.00mm Crimp Style Connectors			
UNIT MM	SCALE 1:1	NUMBER	REV

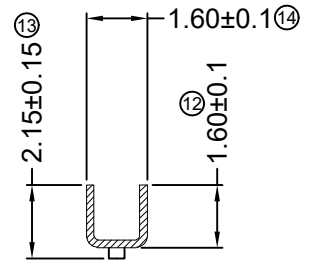
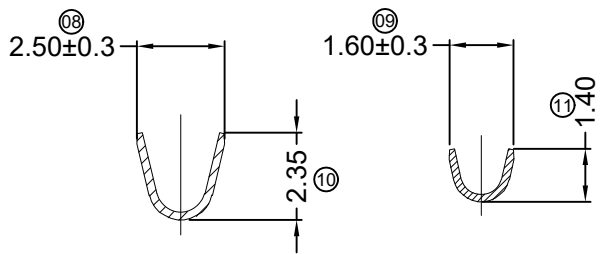


■ Specifications :

- Voltage rating: 250V AC / DC
- Current rating: 3A AC / DC
- Withstanding voltage: 1000V AC/minute
- Temperature range: -25°C~+85°C
- Insulation resistance: ≥1000MΩ
- Contact resistance: ≤30mΩ
- After environmental testing: ≤40mΩ

2026 TM X-P XX X - D
 ① ② ③ ④ ⑤ ⑥ ⑦

- ① Series Number
- ② Category: TM-terminal
- ③ Shape: Blank-ordinary
- ④ Material: P-Phosphor bronze
- ⑤ Plating style: SN-Bright tin plating
G01-Contact Gold flash
- ⑥ Plating method: Blank-Stamping before plating
- ⑦ Mold No./Mark/Special No. :
D-Mating 2026HF-D HSG




SECTION: D-D
SCALE: 1:1

2026TM-PSN-D	Phosphor Bronze	AWG#22-30	1.45mm(Max)	Stamping Before Plating:30u" MIN. Ni; 70u" MIN.Sn	2026HF-2"XXD-N0
PART NO	Material	Wire Range	Insulation O.D.	Finish	Used In ADZL Housing

SECTION: A-A
SCALE: 1:1

SECTION: B-B
SCALE: 1:1

SECTION: C-C
SCALE: 1:1

							 东莞市思量连接器有限公司 DONGGUAN ADZL CONNECTORS CO.,LTD.				PART NO. 2026TM-PXX-D			
							APPROVAL				TITLE 2.00mm Crimp Style Connectors			
							Ken				Zhao Hong			
							Allen				DATA 2020/08/20			
DATE	OLD REV	NEW REV	ECN	DESCRIPTION	CHECK	APPROVAL	PROJECT		UNIT MM	SCALE 1:1	NUMBER	REV		