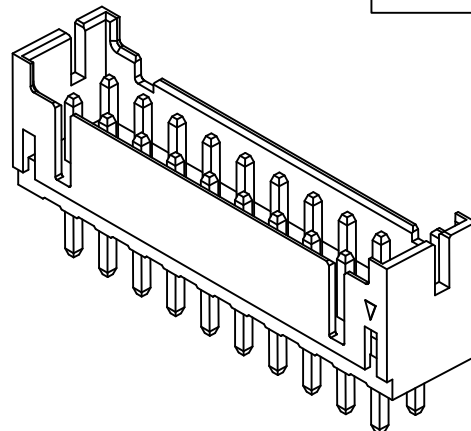
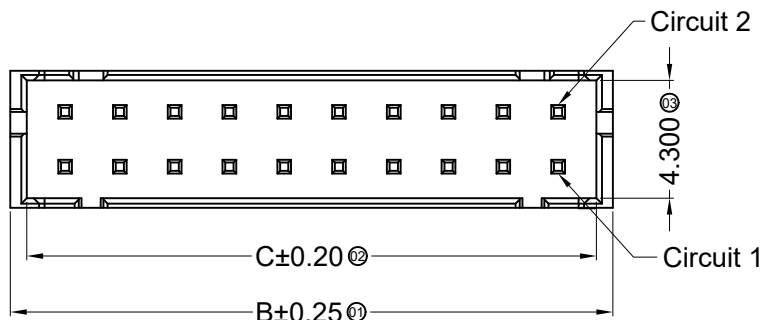


RoHS

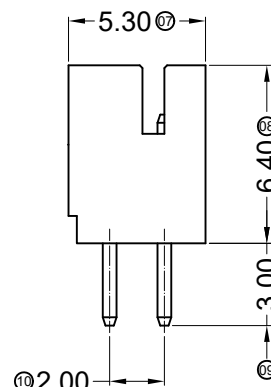
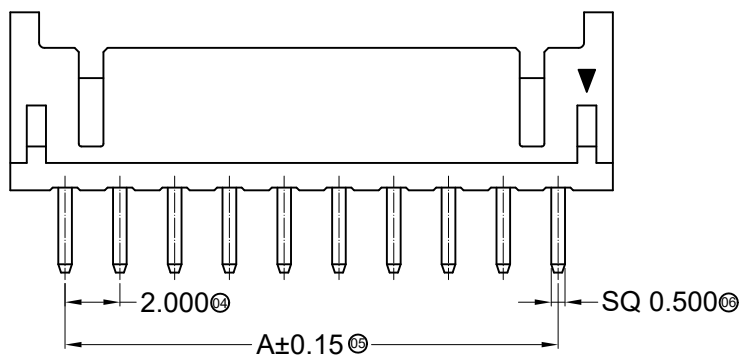
WWW.ADZLCONN.COM

TEL:0769-82285488



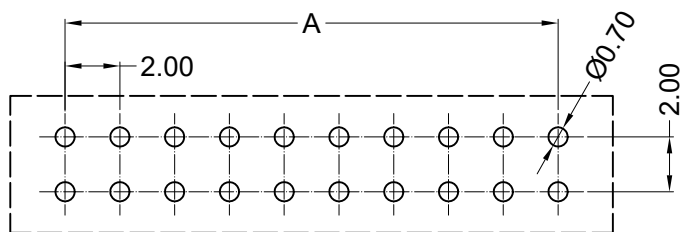
■ Specifications :

- Voltage rating: 250V AC / DC
- Current rating: 3A AC / DC
- Withstanding voltage: 800V AC/minute
- Temperature range: -25°C~+85°C
- Insulation resistance: ≥1000MΩ
- Contact resistance: ≤10mΩ
- After environmental testing: ≤20mΩ



2026 W V X-2\*XX X -9T XXX XX  
 ① ② ③ ④ ⑤ ⑥ ⑦ ⑧ ⑨

- ① Series No.
- ② Category: W-WAFER
- ③ Welding Board Angle: V-Straight 180°
- ④ Welding Way: Blank-DIP
- ⑤ Row No.-Pin No.: 2\*XX-2\*02P~2\*22P
- ⑥ Plug the Pin & Special No.: HF-Halogen Free
- ⑦ Material: 9T-PA9T 94V-0
- ⑧ Plating Category: SN-Bright Tin Plating;  
V01-Gold Flash
- ⑨ Color : Blank-Natural Color ; BK-Black;WH-White



Conn.line  
**Recommended P.C.B Layout**  
 General Tolerance±0.05

Poles	Dimensions (mm)			Poles	Dimensions (mm)			Poles	Dimensions (mm)		
	A	B	C		A	B	C		A	B	C
2*02	2.00	6.00	4.80	2*09	16.00	20.00	18.80	2*16	30.00	34.00	32.80
2*03	4.00	8.00	6.80	2*10	18.00	22.00	20.80	2*17	32.00	36.00	34.80
2*04	6.00	10.00	8.80	2*11	20.00	24.00	22.80	2*18	34.00	38.00	36.80
2*05	8.00	12.00	10.80	2*12	22.00	26.00	24.80	2*19	36.00	40.00	38.80
2*06	10.00	14.00	12.80	2*13	24.00	28.00	26.80	2*20	38.00	42.00	40.80
2*07	12.00	16.00	14.80	2*14	26.00	30.00	28.80	2*21	40.00	44.00	42.80
2*08	14.00	18.00	16.80	2*15	28.00	32.00	30.80	2*22	42.00	46.00	44.80

2026WV-2*XX-9TV01	PA9T UL 94V-0	Brass	Gold-Flash	2026H
2026WV-2*XX-9TSN			Tin-Plated	
PART NO	Material	Material(Pin)	Finish(Pin)	Mates With ADZL Housing

DATE	OLD REV	NEW REV	ECN	DESCRIPTION	CHECK	APPROVAL	PROJECT	

GENERAL TOLERANCE  
 .X ±0.30  
 .XX ±0.20  
 .XXX ±0.10

**ADZL** 东莞市思量连接器有限公司  
 DONGGUAN ADZL CONNECTORS CO.,LTD.

APPROVAL: Ken  
 CHECK: Zhao Hong  
 DRAWN: Allen  
 DATA: 2019/08/02

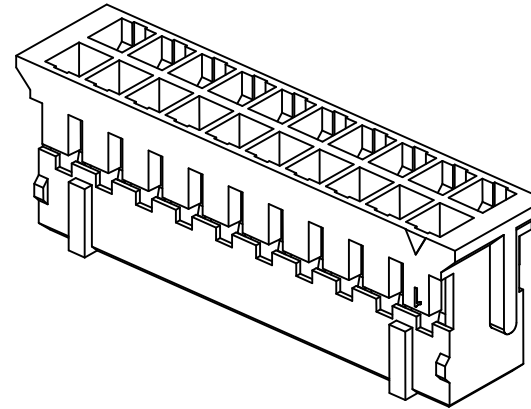
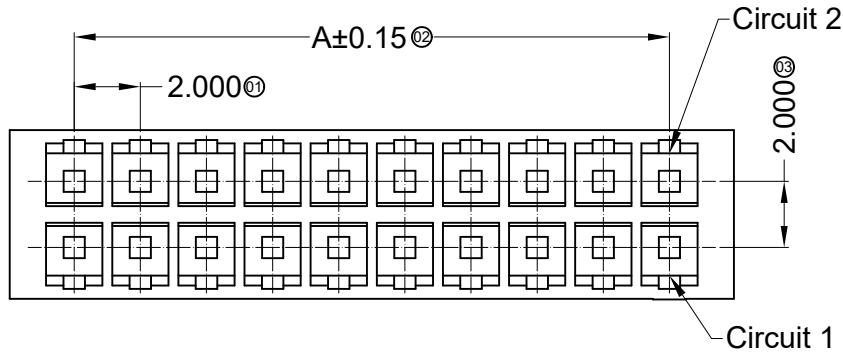
PART NO. 2026WV-2\*XX-9TXXXX  
 TITLE 2.00 mm Crimp Style Connectors  
 UNIT MM SCALE 1:1 NUMBER REV



RoHS

WWW.ADZLCONN.COM

TEL:0769-82285488

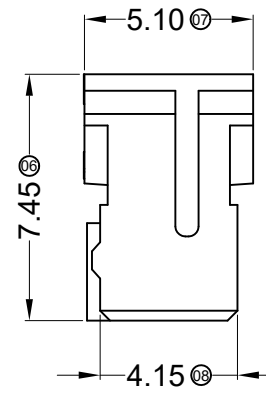
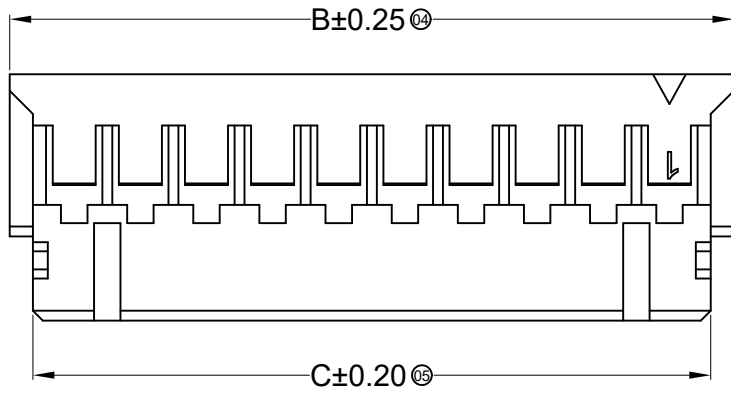


■ Specifications :

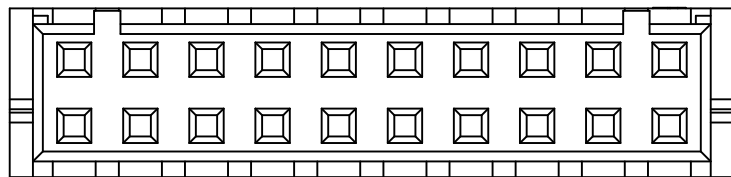
- Voltage rating: 250V AC / DC
- Current rating: 3A AC / DC
- Withstanding voltage: 800V AC/minute
- Temperature range: -25°C~+85°C
- Insulation resistance: ≥1000MΩ
- Contact resistance: ≤10mΩ
- After environmental testing: ≤20mΩ

2026 H X-2\*XX XX-N0 XX  
① ②③ ④ ⑤ ⑥ ⑦

- ① Series No.
- ② Category: H-HSG
- ③ Appearance type: Blank-Ordinary
- ④ Row No.-Pin No.: 2\*XX-2\*02P~2\*22P
- ⑤ Plug the Pin & special No.: HF-Halogen Free
- ⑥ Material: N0-PA66 94V-0
- ⑦ Color: Blank-Natural Color  
Bk-Black



Poles	Dimensions (mm)			Poles	Dimensions (mm)		
	A	B	C		A	B	C
2*02	2.00	5.90	4.50	2*13	24.00	27.90	26.50
2*03	4.00	7.90	6.50	2*14	26.00	29.90	28.50
2*04	6.00	9.90	8.50	2*15	28.00	31.90	30.50
2*05	8.00	11.90	10.50	2*16	30.00	33.90	32.50
2*06	10.00	13.90	12.50	2*17	32.00	35.90	34.50
2*07	12.00	15.90	14.50	2*18	34.00	37.90	36.50
2*08	14.00	17.90	16.50	2*19	36.00	39.90	38.50
2*09	16.00	19.90	18.50	2*20	38.00	41.90	40.50
2*10	18.00	21.90	20.50	2*21	40.00	43.90	42.50
2*11	20.00	23.90	22.50	2*22	42.00	45.90	44.50
2*12	22.00	25.90	24.50				



2026H-2*XX-N0BK	Nylon 66 UL 94V-0 Black		
2026H-2*XXHF-N0	Nylon 66 UL 94V-0 Halogen Free	2026T	2026W
2026H-2*XX-N0	Nylon 66 UL 94V-0		
PART NO	Material	Suitable ADZL Terminal	Mates With ADZL Wafer

DATE	OLD REV	NEW REV	ECN	DESCRIPTION	CHECK	APPROVAL

GENERAL TOLERANCE  
.X ±0.30  
.XX ±0.20  
.XXX ±0.10

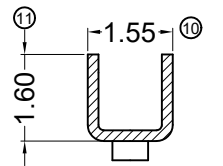
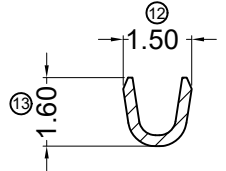
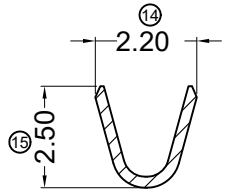
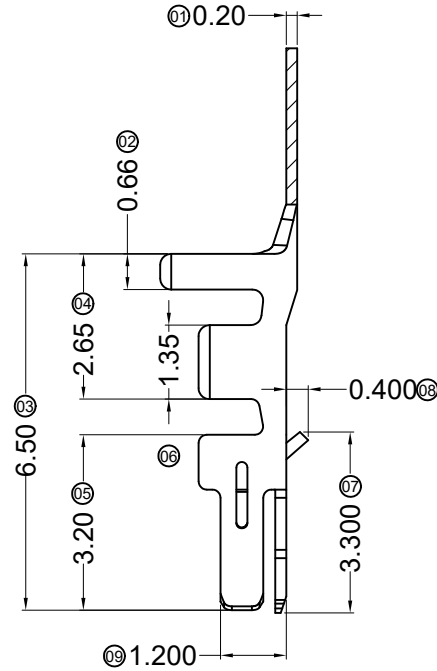
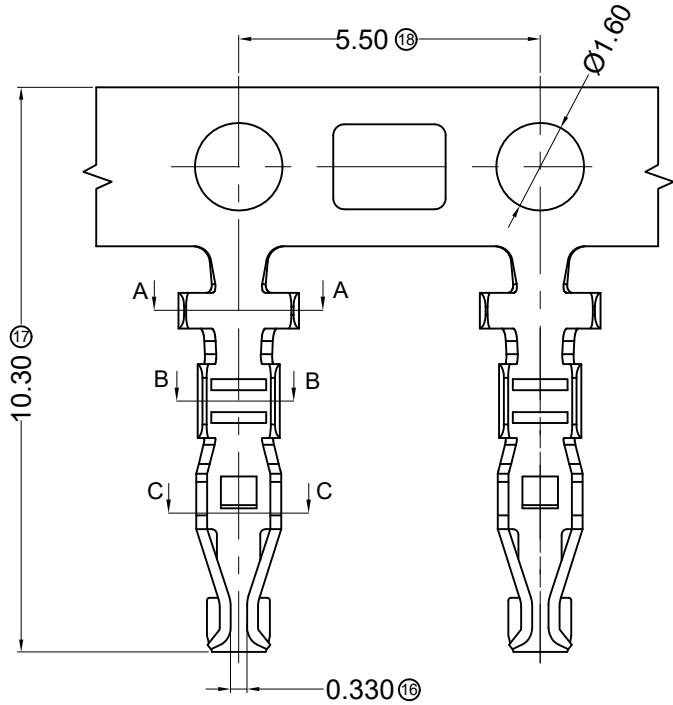


ADZL 东莞市思量连接器有限公司  
DONGGUAN ADZL CONNECTORS CO.,LTD.

APPROVAL CHECK DRAWN DATA

Ken Zhao Hong Allen 2017/05/03

PART NO. 2026H-2*XXXX-N0			
TITLE 2.00mm Crimp Style Connectors			
UNIT MM	SCALE 1:1	NUMBER	REV

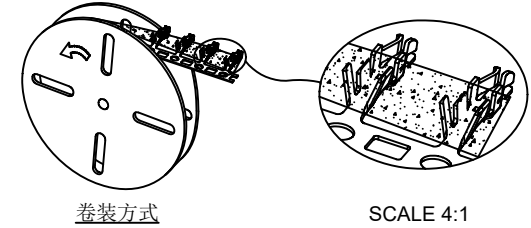


■ Specifications :

- Voltage rating: 250V AC / DC
- Current rating: 3A AC / DC
- Withstanding voltage: 800V AC/minute
- Temperature range: -25°C~+85°C
- Insulation resistance: ≥1000MΩ
- Contact resistance: ≤10mΩ
- After environmental testing: ≤20mΩ

2026 T X-P XXX X - L  
 ① ② ③ ④ ⑤ ⑥ ⑦

- ① Series Number
- ② Category: T-terminal
- ③ Shape: Blank-ordinary
- ④ Material: P-Phosphor bronze
- ⑤ Plating style: SN-Bright tin plating ; V01-Gold Flash  
G03-Gold 3u" Plated Contact
- ⑥ Plating method: Blank-Stamping before plating  
B-Plating before stamping
- ⑦ Mold No./Mark/Special No.: L- Loose



2026T-PG03-L				Stamping Before Pating: 30u" MIN. Ni; Contact Area Gold: 3u" Min.	
2026T-PV01-L	Phosphor Bronze	AWG#22-28	1.50mm(Max)	Stamping Before Pating: 30u" MIN. Ni; Whole Gold Flash	2026H-, 2026H-A
2026T-PSN-L				Stamping Before Plating: 30u" MIN. Ni; 70u" MIN. Sn	
PART NO	Material	Wire Range	Insulation O.D.	Finish	Used In ADZL Housing

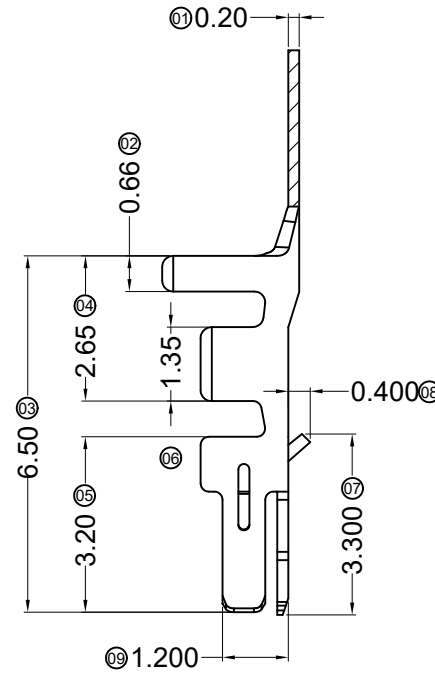
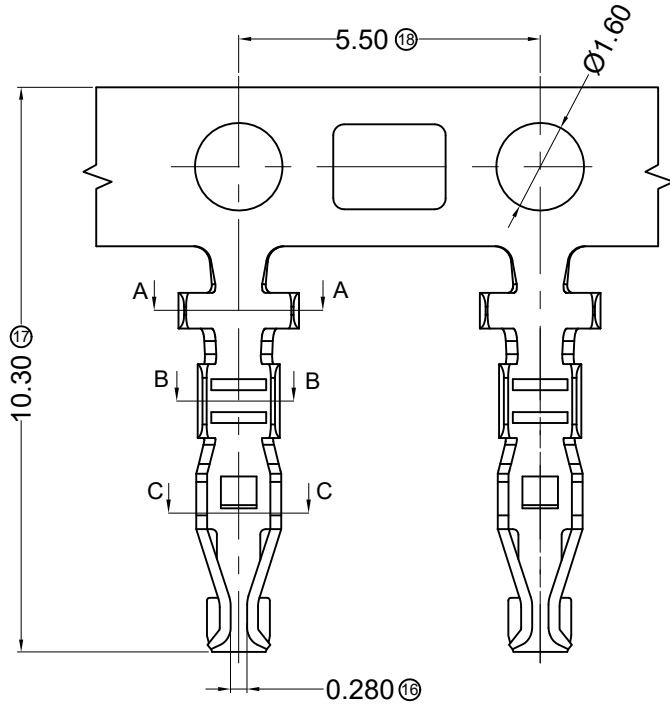
DATE	OLD REV	NEW REV	ECN	DESCRIPTION	CHECK	APPROVAL

GENERAL TOLERANCE	
.X	±0.30
.XX	±0.20
.XXX	±0.10
PROJECT	

**ADZL** 东莞市思量连接器有限公司  
 DONGGUAN ADZL CONNECTORS CO.,LTD.

APPROVAL	CHECK	DRAWN	DATA
Ken	Zhao Hong	Allen	2022/04/16

PART NO. 2026T-PXXXX-L			
TITLE 2.00mm Crimp Style Connectors			
UNIT MM	SCALE 1:1	NUMBER	REV

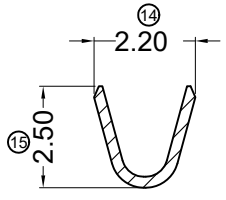
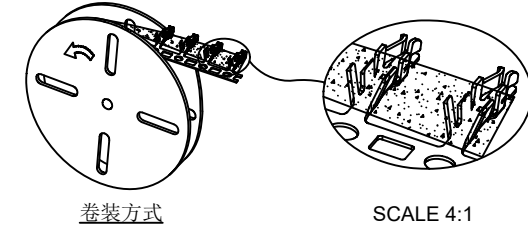


■ Specifications :

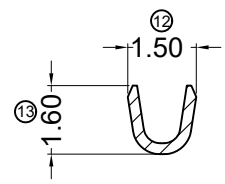
- Voltage rating: 250V AC / DC
- Current rating: 3A AC / DC
- Withstanding voltage: 800V AC/minute
- Temperature range: -25°C~+85°C
- Insulation resistance: ≥1000MΩ
- Contact resistance: ≤10mΩ
- After environmental testing: ≤20mΩ

2026 T X-P XXX X - T  
 ① ② ③ ④ ⑤ ⑥ ⑦

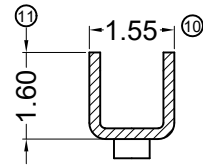
- ① Series Number
- ② Category: T-terminal
- ③ Shape: Blank-ordinary
- ④ Material: P-Phosphor bronze
- ⑤ Plating style: SN-Bright tin plating ; V01-Gold Flash  
G03-Gold 3u" Plated Contact
- ⑥ Plating method: Blank-Stamping before plating  
B-Plating before stamping
- ⑦ Mold No./Mark/Special No.: T- Tight



SECTION: A-A  
SCALE: 1:1



SECTION: B-B  
SCALE: 1:1



SECTION: C-C  
SCALE: 1:1

2026T-PG03-T				Stamping Before Pating: 30u" MIN. Ni; Contact Area Gold: 3u" Min.	
2026T-PV01-T	Phosphor Bronze	AWG#22-28	1.50mm(Max)	Stamping Before Pating: 30u" MIN. Ni; Whole Gold Flash	2026H, 2026H-A
2026T-PSN-T				Stamping Before Plating: 30u" MIN. Ni; 70u" MIN. Sn	
PART NO	Material	Wire Range	Insulation O.D.	Finish	Used In ADZL Housing

DATE	OLD REV	NEW REV	ECN	DESCRIPTION	CHECK	APPROVAL

GENERAL TOLERANCE	
.X	±0.30
.XX	±0.20
.XXX	±0.10
PROJECT	

东莞市思量连接器有限公司 DONGGUAN ADZL CONNECTORS CO.,LTD.			
APPROVAL	CHECK	DRAWN	DATA
Ken	Zhao Hong	Allen	2022/04/16

PART NO. 2026T-PXXXX-T			
TITLE 2.00mm Crimp Style Connectors			
UNIT MM	SCALE 1:1	NUMBER A-014	REV E