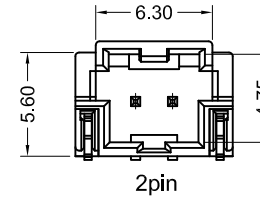
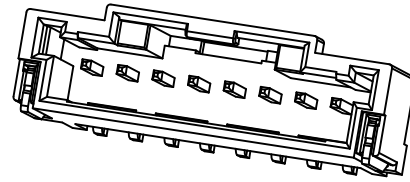
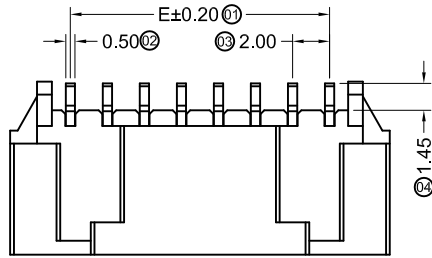


RoHS

WWW.ADZLCONN.COM

TEL:0769-82285488

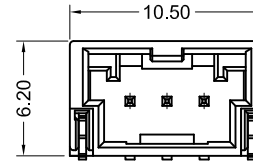
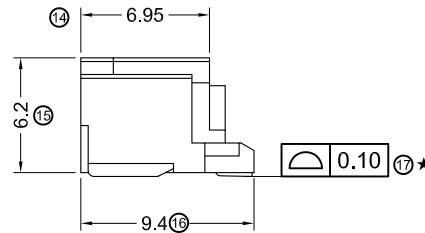
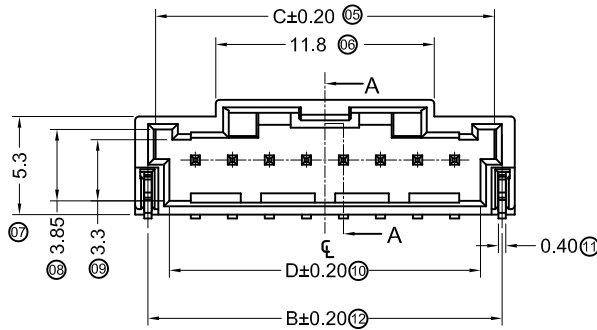


2pin

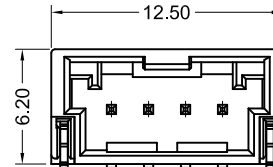
- Specifications :
- Voltage rating: 125V AC / DC
  - Current rating: 3A AC / DC
  - Withstanding voltage: 500V AC/minute
  - Temperature range: -40°C~+105°C
  - Insulation resistance: ≥1000MΩ
  - Contact resistance: ≤10mΩ
  - After environmental testing: ≤20mΩ
  - Material(Pin): Brass
  - Mates With ADZL Housing: 2008H

2008 W R S - 1 x XX - XX X B 05 R R XXX Q  
 ① ② ③ ④ ⑤ ⑥ ⑦ ⑧ ⑨ ⑩ ⑪ ⑫ ⑬

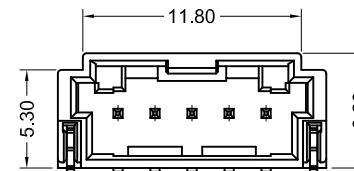
- ① Series No.
- ② Category: W-wafer
- ③ Welding Board Angle: R-Right Angle 90°
- ④ Welding form: S-SMT
- ⑤ Row No.-Pin No: 1xXX-Single Row 1xXXPin
- ⑥ Plastic material: 9T- PA9T 94V-0; LP- LCP 94V-0
- ⑦ Color: N-Natural; B-Black; R-Red; L-Blue
- ⑧ Metal material: B-Brass
- ⑨ Plating Category: 05-Matte Tin
- ⑩ Packag: R-Reel
- ⑪ Green code: H-Halogen-Free R-Rohs
- ⑫ Water code: 002-Coldsealing ;02C-Heatsealing
- ⑬ Special code:Q-Automotive Connectors



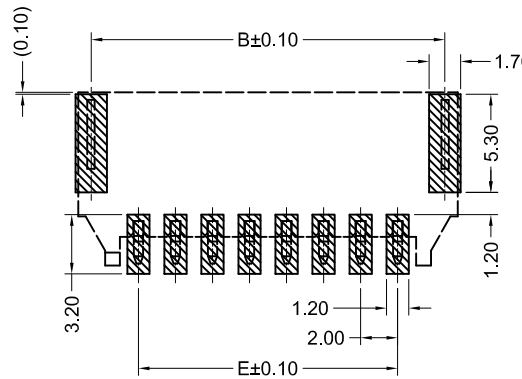
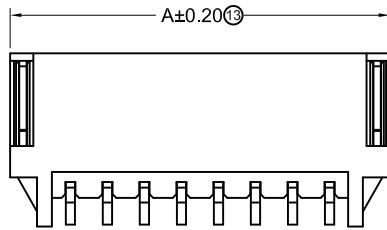
3pin



4pin



5pin



RECOMMENDED P.C.B LAYOUT  
(TOLERANCE:±0.05)

Poles	Dimensions (mm)				
	A	B	C	D	E
02	8.50	7.13	6.30	4.80	2.00
03	10.50	9.13	8.30	6.80	4.00
04	12.50	11.13	10.30	8.80	6.00
05	14.50	13.13	12.30	10.80	8.00
06	16.50	15.13	14.30	12.80	10.00
07	18.50	17.13	16.30	14.80	12.00
08	20.50	19.13	18.30	16.80	14.00
09	22.50	21.13	20.30	18.80	16.00
10	24.50	23.13	22.30	20.80	18.00
11	26.50	25.13	24.30	22.80	20.00
12	28.50	27.13	26.30	24.80	22.00
13	30.50	29.13	28.30	26.80	24.00
14	32.50	31.13	30.30	28.80	26.00
15	34.50	33.13	32.30	30.80	28.00

GENERAL TOLERANCE  
 .X ±0.30  
 .XX ±0.20  
 .XXX ±0.10

ADZL 东莞市思量连接器有限公司  
 DONGGUAN ADZL CONNECTORS CO.,LTD.

PART NO.  
 2008WRS-1xXX-XXXB05RRXXXQ

TITLE  
 Pitch 2.00 mm 90° SMT Wafer Connectors

PROJECT

APPROVAL	CHECK	DRAWN	DATA
Ken	Zhao Hong	Allen	2018.10.16

UNIT	SCALE	NUMBER	REV
mm	1:1		

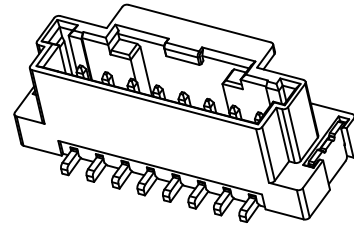
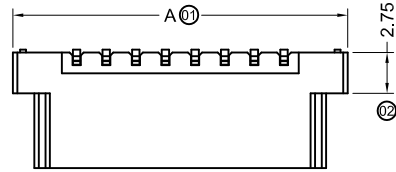
DATE	OLD REV	NEW REV	ECN	DESCRIPTION	CHECK	APPROVAL
------	---------	---------	-----	-------------	-------	----------

1 2 3 4 5 6 7 8

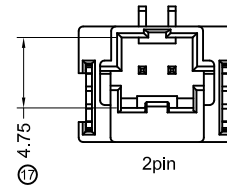
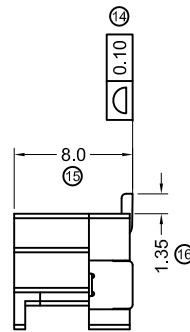
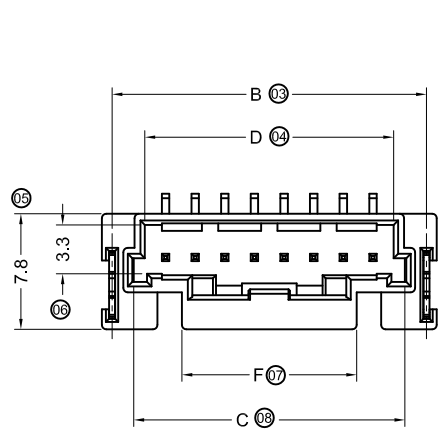
RoHS

WWW.ADZLCONN.COM

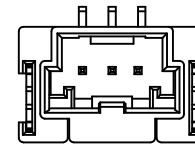
TEL:0769-82285488



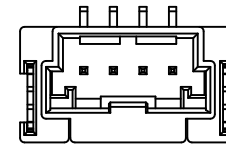
- Specifications :
- Voltage rating: 125V AC / DC
  - Current rating: 3A AC / DC
  - Withstanding voltage: 500V AC/minute
  - Temperature range: -40°C~+105°C
  - Insulation resistance: ≥1000MΩ
  - Contact resistance: ≤10mΩ
  - After environmental testing: ≤20mΩ
  - Material(Pin): Barss
  - Mates With ADZL Housing: 2008H



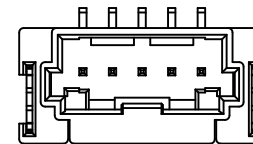
2pin



3pin



4pin

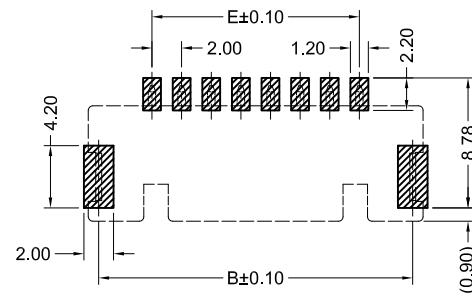


5pin

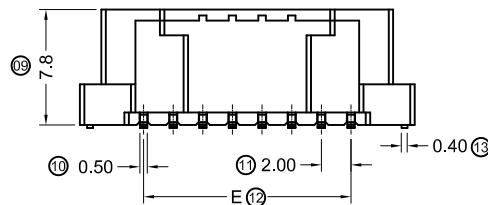
2008 W V S - 1 x XX - XX X B XX X R XXX Q

- ① Series No.
- ② Category: W-wafer
- ③ Welding Board Angle: V-Straight 180°
- ④ Welding form: S-SMT
- ⑤ Row No.-Pin No: 1xXX-Single Row 1xXXPin
- ⑥ Plastic material: 9T- PA9T 94V-0; LP- LCP 94V-0
- ⑦ Color: N-Natural; B-Black; R-Red; L-Blue
- ⑧ Metal material: B-Brass
- ⑨ Plating Category: 05-Matte Tin
- ⑩ Packag: R-Reel ,Without Mylar
- ⑪ Green code: R-RoHS H-Halogen-Free
- ⑫ Water code: 002-Coldsealing ;02C-Heatsealing
- ⑬ Special code :Q-Automotive Connectors

Poles	Dimensions (mm)					
	A	B	C	D	E	F
02	10.60	9.23	6.30	4.80	2.00	6.30
03	12.60	11.23	8.30	6.80	4.00	5.80
04	14.60	13.23	10.30	8.80	6.00	7.80
05	16.60	15.23	12.30	10.80	8.00	9.80
06	18.60	17.23	14.30	12.80	10.00	11.80
07	20.60	19.23	16.30	14.80	12.00	11.80
08	22.60	21.23	18.30	16.80	14.00	11.80
09	24.60	23.23	20.30	18.80	16.00	11.80
10	26.60	25.23	22.30	20.80	18.00	11.80
11	28.60	27.23	24.30	22.80	20.00	11.80
12	30.60	29.23	26.30	24.80	22.00	11.80
13	32.60	31.23	28.30	26.80	24.00	11.80
14	34.60	33.23	30.30	28.80	26.00	11.80
15	36.60	35.23	32.30	30.80	28.00	11.80



RECOMMENDED P.C.B LAYOUT  
(TOLERANCE:±0.05)



GENERAL TOLERANCE  
.X ±0.30  
.XX ±0.20  
.XXX ±0.10

ADZL 东莞市思量连接器有限公司  
DONGGUAN ADZL CONNECTORS CO.,LTD.

PART NO.  
2008WVS-1xXX-XXXBXXRRXXXQ

TITLE  
Pitch 2.00 mm 180° SMT Wafer Connectors

APPROVAL: Ken, CHECK: Zhao Hong, DRAWN: Allen, DATA: 2020/06/15

PROJECT



UNIT: MM, SCALE: 1:1, NUMBER: 8, REV: 1

DATE, OLD REV, NEW REV, ECN, DESCRIPTION, CHECK, APPROVAL

1 2 3 4 5 6 7 8

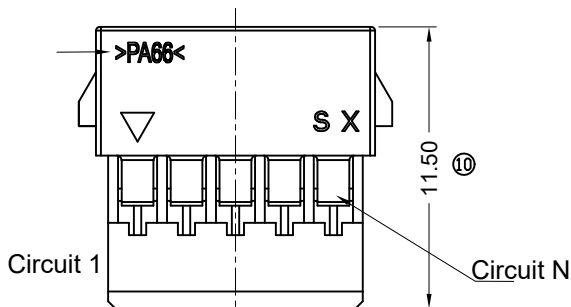
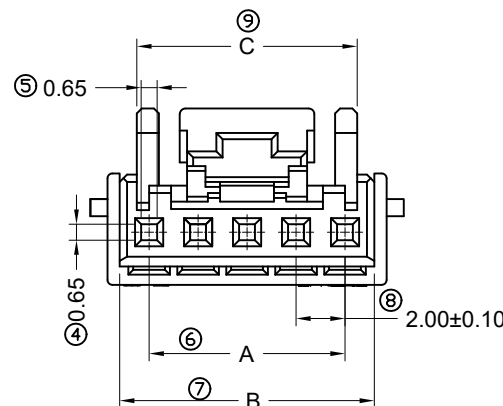
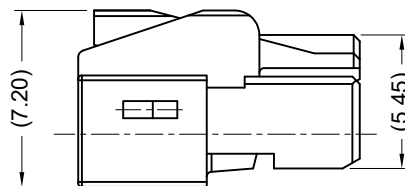
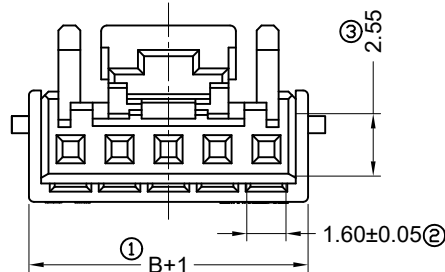
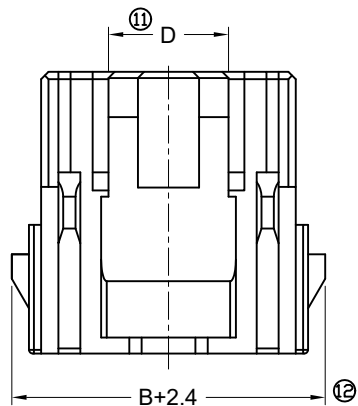
■ Specifications :

- Voltage rating: 250V AC / DC
- Current rating: 3A AC / DC
- Withstanding voltage: 800V AC/minute
- Temperature range: -40°C~+125°C
- Insulation resistance:≥1000MΩ
- Contact resistance: ≤10mΩ
- After environmental testing: ≤20mΩ

A2019 H -1xXX -N0 N B R 01 Q

- ① Series No.
- ② Category: H-HSG
- ③ Row No.-Pin No.: 1xXX-02P~05P
- ④ Material : N0-PA66 94V-0
- ⑤ Color : N-Natural
- ⑥ Packing:B-Bag
- ⑦ R-RoHS
- ⑧ Special No.:
- ⑨ Q-Automotive products

Poles	Dimensions (mm)			
	A	B	C	D
02	2.00	4.40	3.20	2.10
03	4.00	6.40	5.00	3.90
04	6.00	8.40	6.60	4.90
05	8.00	10.40	9.00	4.90



A2019H-1xXX-N0NBR01Q	Nylon 66 94V-0	CA2019	A2019T	2000W
PART NO	Material	Suitable Retainer	Suitable ADZL Terminal	Suitable ADZL Header

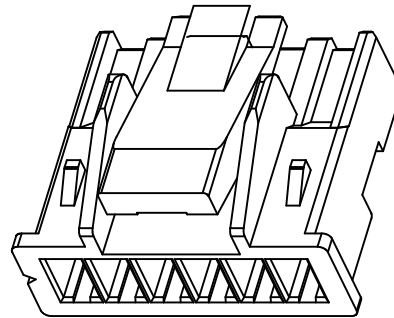
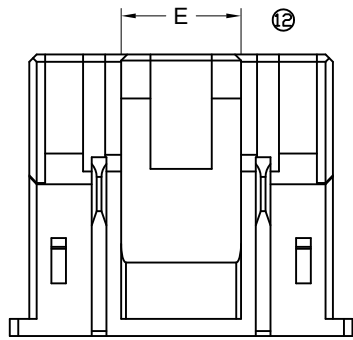
GENERAL TOLERANCE
.X ±0.30
.XX ±0.20
.XXX ±0.10
X.° ±2°
PROJECT

**ADZL** 东莞市思量连接器有限公司  
DONGGUAN ADZL CONNECTORS CO.,LTD.

APPROVAL	CHECK	DRAWN	DATE
Ken	Zhao Hong	Allen	2020/11/08

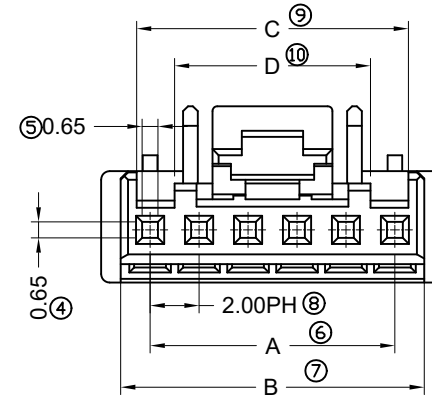
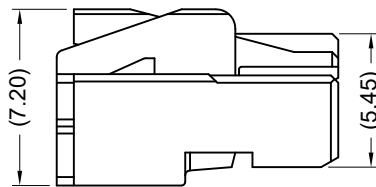
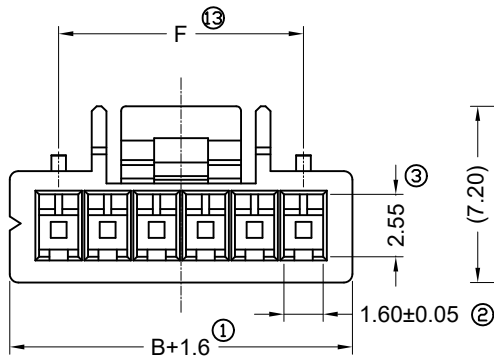
PART NO. A2019H-1xXX-N0NBR01Q				
TITLE 2.00mm Connector Housing (Retainer mountable type)				
UNIT	SCALE	SHEET	REV	NUMBER
mm	1:1	1/2		

DATE	REV	ECN NO.	DESCRIPTION	MODIFY	APPROVAL
1					



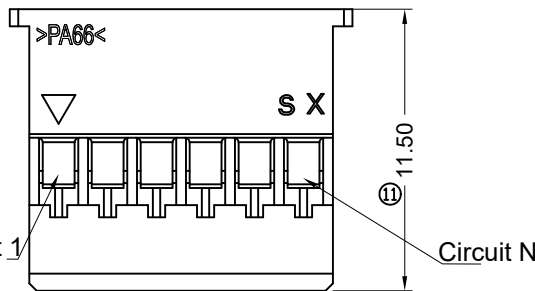
■ Specifications :

- Voltage rating: 250V AC / DC
- Current rating: 3A AC / DC
- Withstanding voltage: 800V AC/minute
- Temperature range: -40°C~+125°C
- Insulation resistance: ≥1000MΩ
- Contact resistance: ≤10mΩ
- After environmental testing: ≤20mΩ



A2019 H -1xXX -N0 N B R 01 Q

- ① Series No.
- ② Category: H-HSG
- ③ Row No.-Pin No.: 1xXX-06P~15P
- ④ Material : N0-PA66 94V-0
- ⑤ Color : N-Natural
- ⑥ Packing: B-Bag
- ⑦ R-RoHS
- ⑧ Special No.:
- ⑨ Q-Vehicle products



Poles	Dimensions (mm)						Poles	Dimensions (mm)					
	A	B	C	D	E	F		A	B	C	D	E	F
06	10.00	12.40	11.10	8.00	4.90	10.00	11	20.00	22.40	21.10	14.60	11.40	17.40
07	12.00	14.40	13.10	8.00	4.90	10.00	12	22.00	24.40	23.10	14.60	11.40	17.40
08	14.00	16.40	15.10	8.00	4.90	10.00	13	24.00	26.40	25.10	14.60	11.40	17.40
09	16.00	18.40	17.10	8.00	4.90	12.00	14	26.00	28.40	27.10	14.60	11.40	17.40
10	18.00	20.40	19.10	14.60	11.40	17.40	15	28.00	30.40	29.10	14.60	11.40	17.40

A2019H-1xXX-N0NBR01Q	Nylon 66 94V-0	CA2019	A2019T	2000W
PART NO	Material	Suitable ADZL Retainer	Suitable ADZL Terminal	Suitable ADZL Header

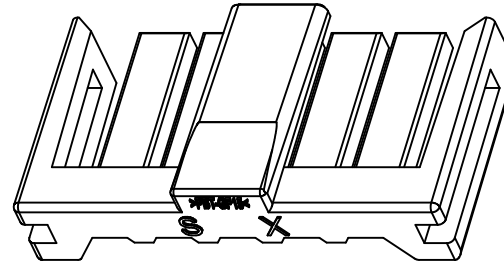
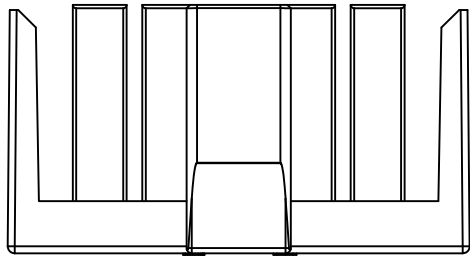
GENERAL TOLERANCE
.X ±0.30
.XX ±0.20
.XXX ±0.10
X.° ±2°
PROJECT



APPROVAL	CHECK	DRAWN	DATE
Ken	Zhao Hong	Allen	2020/11/08

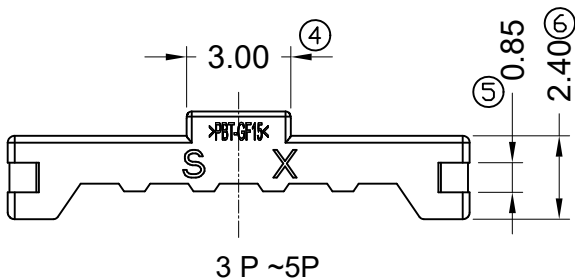
PART NO.				
A2019H-1xXX-N0NBR01Q				
TITLE 2.00mm Connector Housing (Retainer mountable type)				
UNIT	SCALE	SHEET	REV	NUMBER
mm	1:1	1/1		

DATE	REV	ECN NO.	DESCRIPTION	MODIFY	APPROVAL
1					

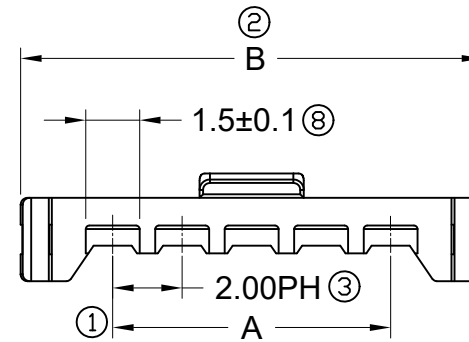
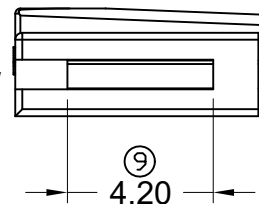


■ Specifications :

- Voltage rating: 250V AC / DC
- Current rating: 3A AC / DC
- Withstanding voltage: 800V AC/minute
- Temperature range: -40°C~+125°C
- Insulation resistance: ≥1000MΩ
- Contact resistance: ≤10mΩ
- After environmental testing: ≤20mΩ

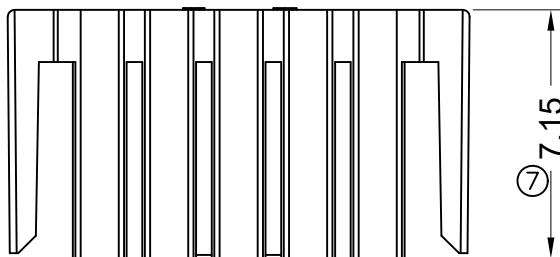


A VIEW

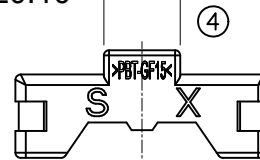


CA2019 -1xXX -PT N B R 01 Q  
 ① ② ③ ④ ⑤ ⑥ ⑦ ⑧

- ① Series No.
- ② Row No.-Pin No.: 1xXX-02P~05P
- ③ Material : PT-PBT 94V-0
- ④ Color : N-Natural
- ⑤ Packing:B-Bag
- ⑥ R-RoHS
- ⑦ Special No.:
- ⑧ Q-Vehicle products



2.20±0.10



2 P  
A VIEW

Poles	Dimensions (mm)	
	A	B
02	2.00	7.3
03	4.00	9.3
04	6.00	11.3
05	8.00	13.3

CA2019-1xXX-PTNBR01Q	PBT 94V-0	A2019H	A2019T	2000W
PART NO	Material	Suitable ADZL Housing	Suitable ADZL Terminal	Suitable ADZL Header

GENERAL TOLERANCE

- .X ±0.30
- .XX ±0.20
- .XXX ±0.10
- X.° ±2°

PROJECT



**ADZL** 东莞市思量连接器有限公司  
 DONGGUAN ADZL CONNECTORS CO.,LTD.

PART NO.  
 CA2019-1xXX-PTNBR01Q

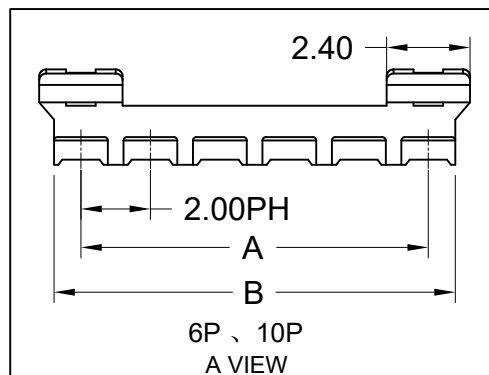
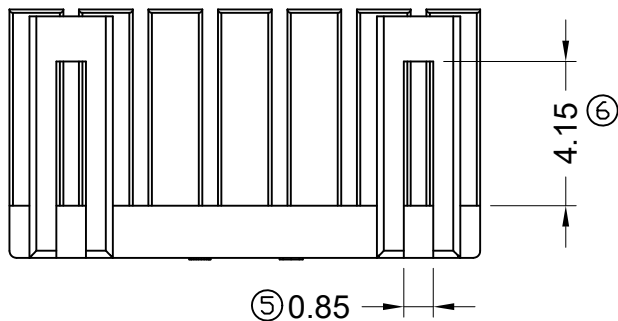
TITLE  
 2.00mm Connector TPA

APPROVAL CHECK DRAWN DATE

Ken Zhao Hong Allen 2020/11/08

UNIT	SCALE	SHEET	REV	NUMBER
mm	1:1	1/1		

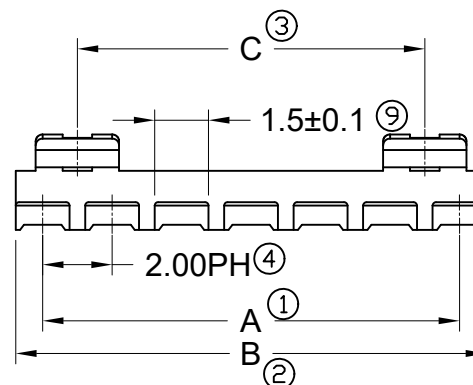
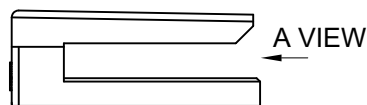
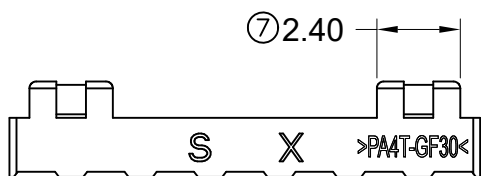
DATE	REV	ECN NO.	DESCRIPTION	MODIFY	APPROVAL
1					



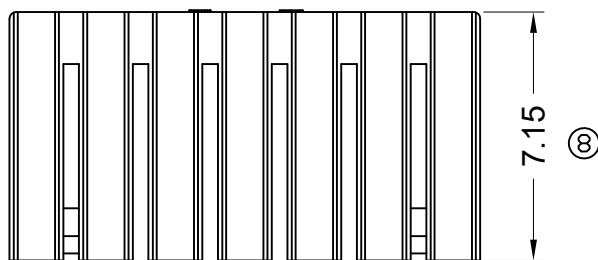
Specifications :

- Voltage rating: 250V AC / DC
- Current rating: 3A AC / DC
- Withstanding voltage: 800V AC/minute
- Temperature range: -40°C~+125°C
- Insulation resistance: ≥1000MΩ
- Contact resistance: ≤10mΩ
- After environmental testing: ≤20mΩ

CA2019 -1xXX -4T N B R 01 Q  
 ① ② ③ ④ ⑤ ⑥ ⑦ ⑧



- ① Series No.
- ② Row No.-Pin No.: 1xXX-06P~15P
- ③ Material : 4T-PA4T 94V-0
- ④ Color : N-Natural
- ⑤ Packing:B-Bag
- ⑥ R-RoHS
- ⑦ Special No.:
- ⑧ Q-Vehicle products



Poles	Dimensions (mm)			Poles	Dimensions (mm)		
	A	B	C		A	B	C
06	10.00	11.55	10.00	11	20.00	21.55	17.40
07	12.00	13.55	10.00	12	22.00	23.55	17.40
08	14.00	15.55	10.00	13	24.00	25.55	17.40
09	16.00	17.55	12.00	14	26.00	27.55	17.40
10	18.00	19.55	17.40	15	28.00	29.55	17.40

CA2019-1xXX-4TNBR01Q	PA4T 94V-0	A2019H	A2019T	2000W
PART NO	Material	Suitable ADZL Housing	Suitable ADZL Terminal	Suitable ADZL Header

GENERAL TOLERANCE
.X ±0.30
.XX ±0.20
.XXX ±0.10
X.° ±2°

**ADZL** 东莞市思量连接器有限公司  
 DONGGUAN ADZL CONNECTORS CO.,LTD.

PART NO.  
 CA2019-1xXX-4TNBR01Q  
 TITLE  
 2.00mm Connector TPA

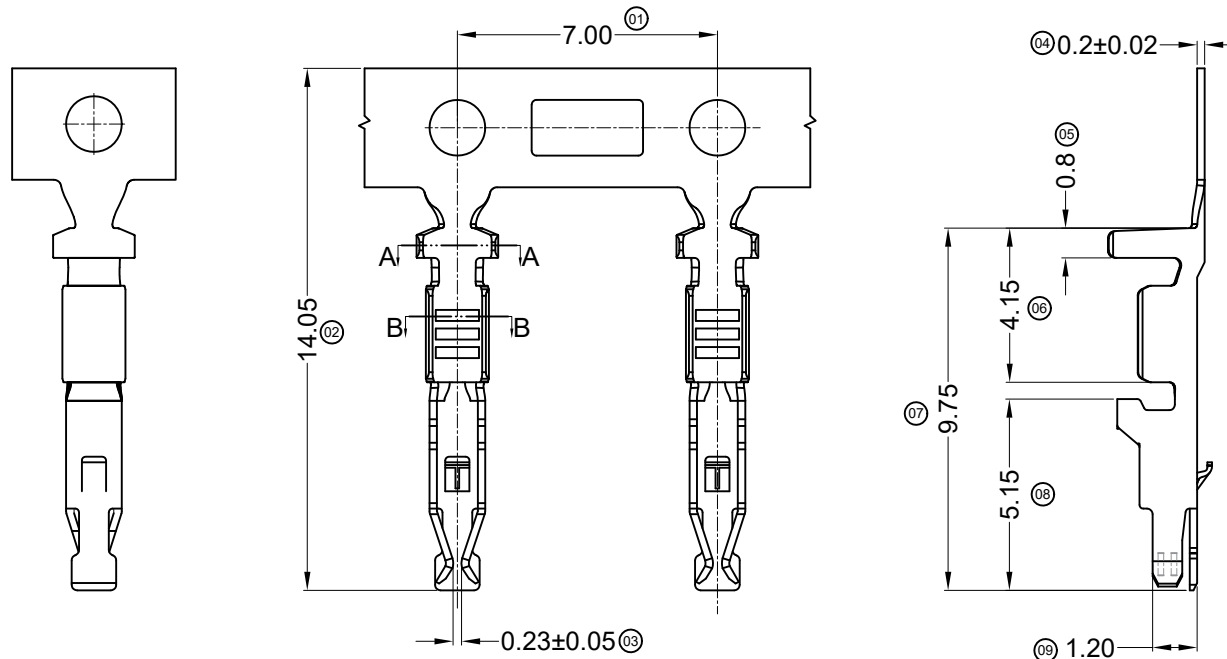
APPROVAL	CHECK	DRAWN	DATE
----------	-------	-------	------

Ken Zhao Hong Allen 2020/11/08

UNIT	SCALE	SHEET	REV	NUMBER
mm	1:1	1/1		

DATE	REV	ECN NO.	DESCRIPTION	MODIFY	APPROVAL
1					





**Specifications :**

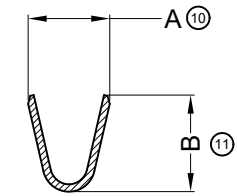
- Voltage rating: 250V AC / DC
- Current rating: 3A AC / DC
- Withstanding voltage: 800V AC/minute
- Temperature range: -40°C~+105°C(C5191)  
-40°C~+125°C(C7025)

- Insulation resistance: ≥1000MΩ
- Contact resistance: ≤10mΩ
- After environmental testing: ≤20mΩ
- Suitable ADZL Housing: A2019H

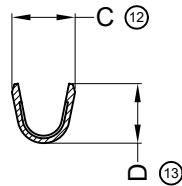
**A2019 T - X XX X X - 01 Q**

(01) (02) (03) (04) (05) (06) (07) (08)

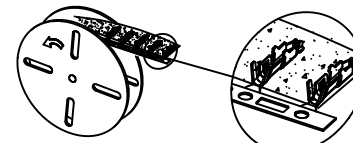
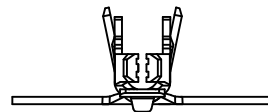
- ⓪ Series No.
- ⓫ Category: T-Terminal
- ⓬ Material: P-C5191 H-C7025
- ⓭ Plating Code:  
08-40~120u"(1~3um)Ni,80~200u"(2~5um)Tin  
Y2-40~120u"(1~3um)Tin
- ⓮ Plating Process : S-Stamping before Plating  
P-Stamping after Plating
- ⓯ Barrel type:H-High Barrel;Blank-Low Barrel
- ⓰ Mold No./Mark/Special No.
- ⓱ Q-Vehicle products



SECTION: A-A  
SCALE: 1:1



SECTION: B-B  
SCALE: 1:1



After plating

Scale 4:1

A2019T-XXXXH-01Q	0.35mm <sup>2</sup> ~0.5mm <sup>2</sup> (22 AWG~20 AWG) OD=1.6Max.	2.20	2.60	1.80	1.70
A2019T-XXXX-01Q	0.22mm <sup>2</sup> ~0.35mm <sup>2</sup> (24AWG~22AWG) OD=1.3Max.	2.20	2.60	1.70	1.60
P/N	Wire Size	DIM A	DIM B	DIM C	DIM D

					GENERAL TOLERANCE				
					.X ±0.30				
					.XX ±0.20				
					.XXX ±0.10				
					X.° ±2°				
					PROJECT				
DATE	REV	ECN NO.	DESCRIPTION	MODIFY	APPROVAL	Ken	Zhao Hong	Allen	2020/11/08

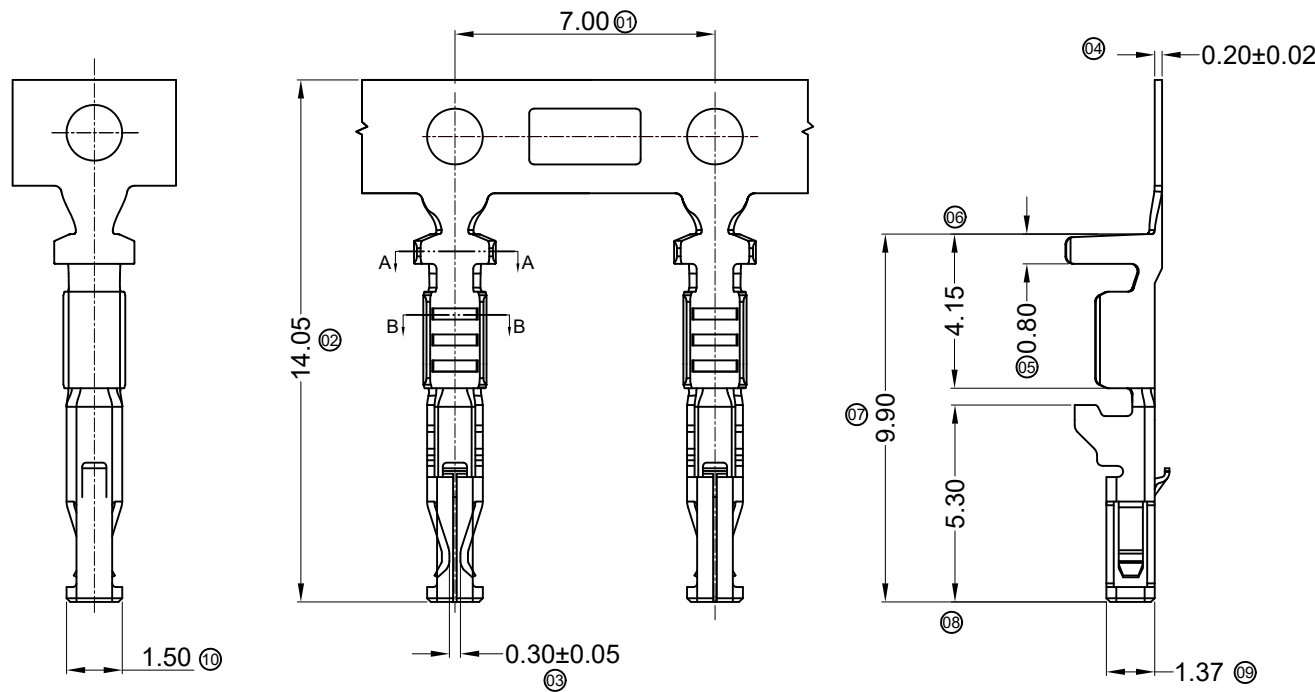
**ADZL** 东莞市思量连接器有限公司  
DONGGUAN ADZL CONNECTORS CO.,LTD.

APPROVAL CHECK DRAWN DATE

PART NO. A2019T-XXXXX-01Q

TITLE 2.00mm Crimp Style Terminal

UNIT	SCALE	SHEET	REV	NUMBER
mm	5:1	1/1		

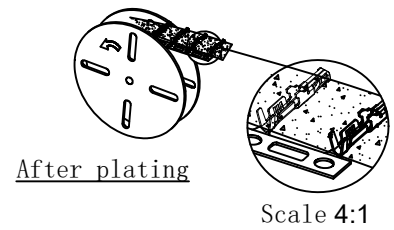
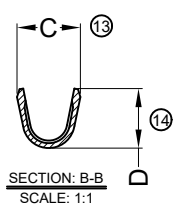
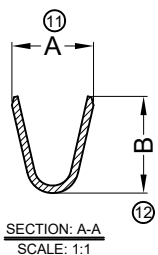


**Specifications :**

- Voltage rating: 250V AC / DC
- Current rating: 3A AC / DC
- Withstanding voltage: 800V AC/minute
- Temperature range: -40°C~+105°C(C5191)  
-40°C~+125°C(C7025)
- Insulation resistance: ≥1000MΩ
- Contact resistance: ≤10mΩ
- After environmental testing: ≤20mΩ
- Suitable ADZL Housing: A2019H

A2019 T - X XX X X - 02 Q  
① ② ③ ④ ⑤ ⑥ ⑦ ⑧

- ① Series No.
- ② Category: T-Terminal
- ③ Material: P-C5191 H-C7025
- ④ Plating Code:  
08-40~120u"(1~3um)Ni,80~200u"(2~5um)Tin  
Y2-40~120u"(1~3um)Tin
- ⑤ Plating Process : S-Stamping before Plating  
P-Stamping after Plating
- ⑥ Barrel type:H-High Barrel;Blank-Low Barrel
- ⑦ Mold No./Mark/Special No.
- ⑧ Q-Vehicle products



A2019T-XXXXH-02Q	0.35mm <sup>2</sup> ~0.5mm <sup>2</sup> (22 AWG~20 AWG) OD=1.6Max.	2.20	2.60	1.80	1.70
A2019T-XXXX-02Q	0.22mm <sup>2</sup> ~0.35mm <sup>2</sup> (24AWG~22AWG) OD=1.3Max.	2.20	2.60	1.70	1.60
P/N	Wire Size	DIM A	DIM B	DIM C	DIM D

DATE	REV	ECN NO.	DESCRIPTION	MODIFY	APPROVAL
1					

GENERAL TOLERANCE			
.X	±0.30		
.XX	±0.20		
.XXX	±0.10		
X.°	±2°		
PROJECT			
APPROVAL	CHECK	DRAWN	DATE
Ken	Zhao Hong	Allen	2023/05/27

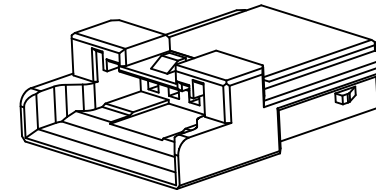
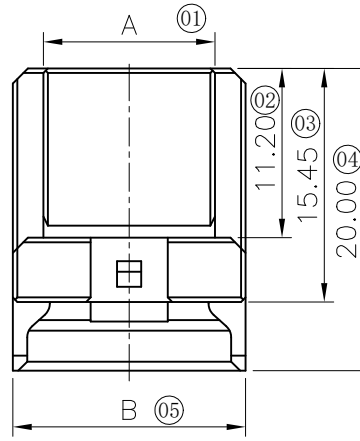
PART NO.				
A2019T-XXXXX-02Q				
TITLE				
2.00mm Crimp Style Connectors				
UNIT	SCALE	SHEET	REV	NUMBER
mm	1:1	1/1		

**ADZL** 东莞市思量连接器有限公司  
DONGGUAN ADZL CONNECTORS CO.,LTD.

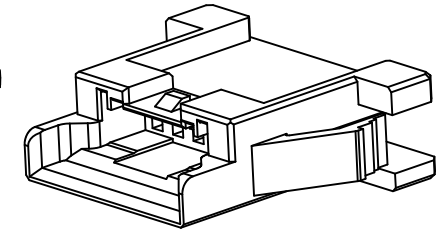


Specifications :

Voltage rating: 100V Max. AC / DC  
 Withstanding voltage: 800V AC/minute  
 Temperature range: -40°C~+125°C  
 Insulation resistance: ≥1000MΩ  
 Mates With ADZL Housing: A2019H  
 Mates With ADZL Terminal:A2019TM  
 Mates With ADZL TPA: CA2019  
 Symbols for SPC dimensions: "★"  
 Product Specification: PS-A2019-04  
 Packaging Drawing: PK-A2019HF-XXX-N0XX



General specification

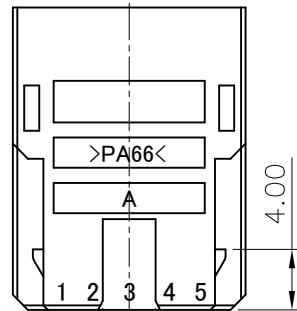
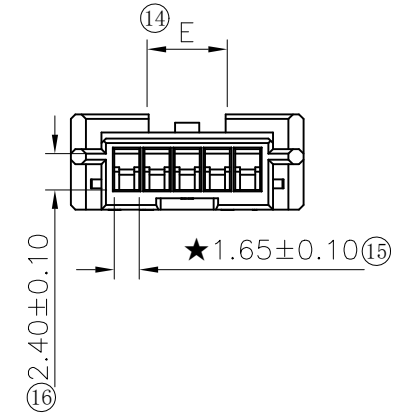
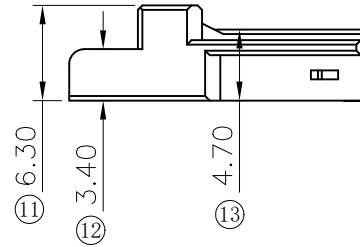
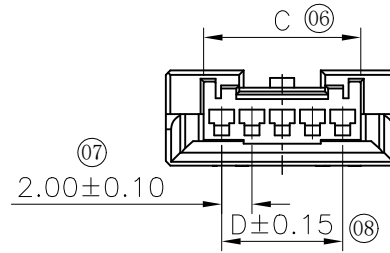


Buckle specification

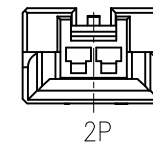
**A2019 H F-XX X -N0 XX**

- ① ② ③ ④ ⑤ ⑥ ⑦

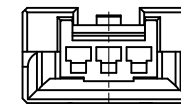
- ① Series No.
- ② Category: H-HSG
- ③ Connector type: F-Female HSG
- ④ Row No. - Pin No.:02P~05P
- ⑤ Special code:  
Blank code-normal  
A-Wing buckle
- ⑥ Material : N0-PA66 94V-0
- ⑦ Color: NC-Natural BK-Black



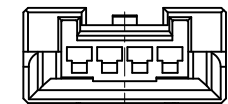
⑩ 2.30(02P)  
3.50(03~05P)



2P



3P



4P

No. of Pos.	Dimensions/mm				
	A	B	C	D	E
02	5.35	9.40	4.40	/	2.30
03	7.35	11.40	6.40	4.00	4.10
04	9.35	13.40	8.40	6.00	5.10
05	11.35	15.40	10.40	8.00	5.10

GENERAL TOLERANCE

- .X ±0.35
- .XX ±0.25
- .XXX ±0.15
- X.° ±2°

PROJECT



APPROVAL CHECK DRAWN DATE

Ken Zhao Hong Allen 2022/06/15

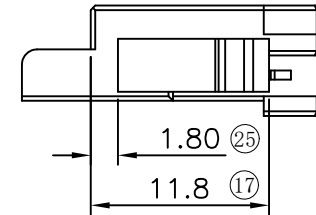
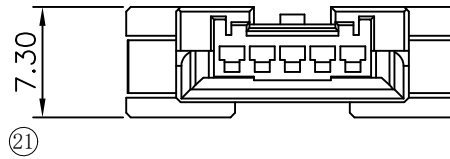
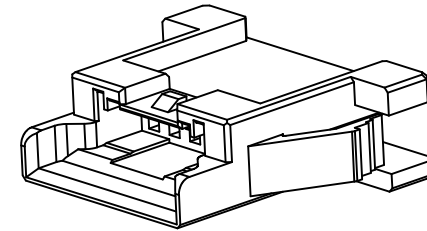
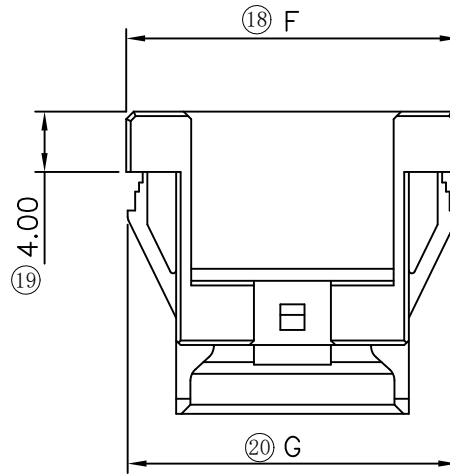
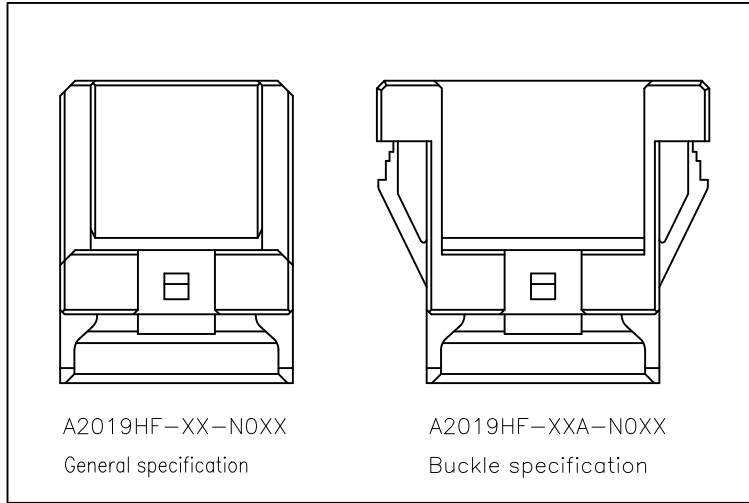
PART NO. A2019HF-XXX-N0XX

TITLE 2.0Pitch A2019HF

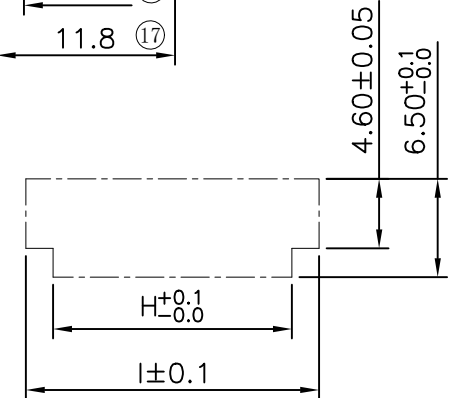
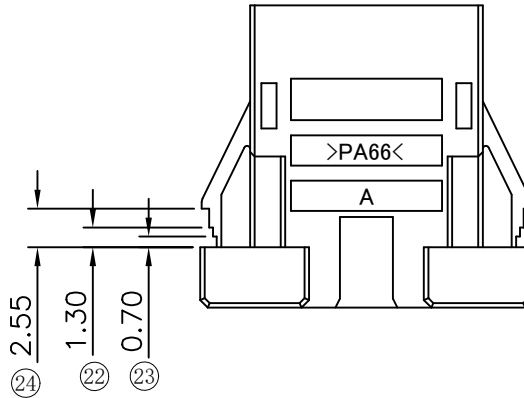
UNIT	SCALE	SHEET	REV	NUMBER
mm	2:1	1/2		

DATE	REV	ECN NO.	DESCRIPTION	MODIFY	APPROVAL
1					

02~05P Buckle specification



No. of Pos.	Dimensions/mm			
	F	G	H	I
02	16.00	15.80	9.80	13.40
03	18.00	17.80	11.80	15.40
04	20.00	19.80	13.80	17.40
05	22.00	21.80	15.80	19.40



Panel Layout

DATE	REV	ECN NO.	DESCRIPTION	MODIFY	APPROVAL
1		2	3	4	5

GENERAL TOLERANCE			
.X	±0.35		
.XX	±0.25		
.XXX	±0.15		
X.°	±2°		
PROJECT			
APPROVAL	CHECK	DRAWN	DATE
Ken	Zhao Hong	Allen	2022/06/15

PART NO.				
A2019HF-XXX-N0XX				
TITLE				
2.0Pitch A2019HF				
UNIT	SCALE	SHEET	REV	NUMBER
mm	2:1	2/2		



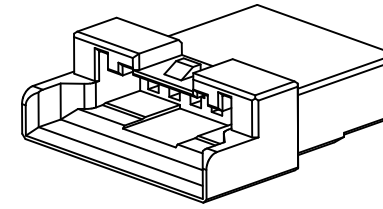
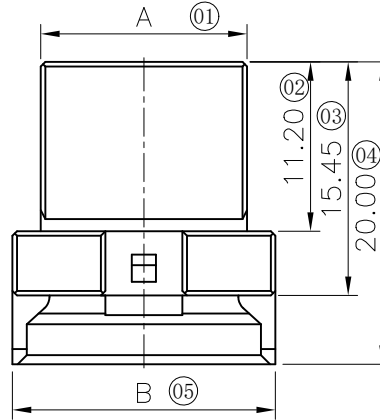
RoHS

WWW.ADZLCONN.COM

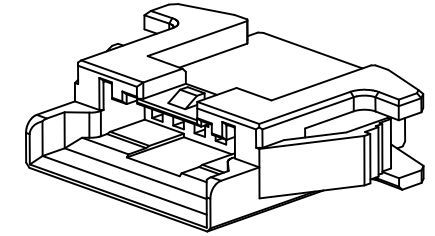
TEL:0769-82285488

Specifications :

Voltage rating: 100V Max. AC / DC  
 Withstanding voltage: 800V AC/minute  
 Temperature range: -40°C~+125°C  
 Insulation resistance: ≥1000MΩ  
 Mates With ADZL Housing: A2019H  
 Mates With ADZL Terminal:A2019TM  
 Mates With ADZL TPA: CA2019  
 Symbols for SPC dimensions: "★"  
 Product Specification: PS-A2019-04  
 Packaging Drawing:PK-A2019HF-XXX-N0XX



General specification

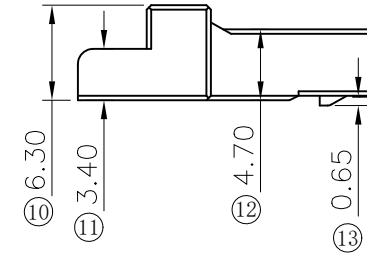
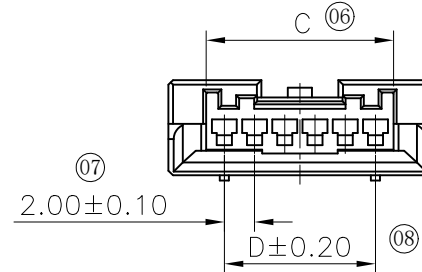


Buckle specification

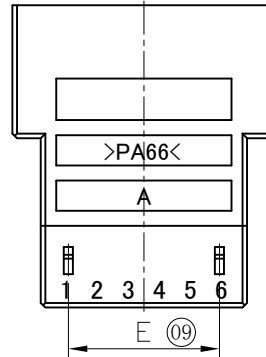
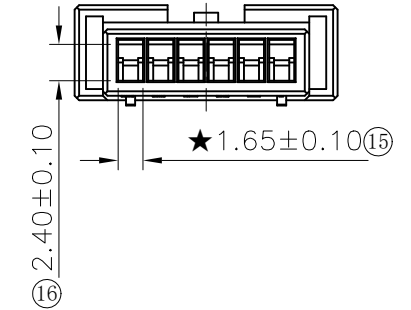
A2019 H F-XX X -N0 XX

① ②③ ④⑤ ⑥ ⑦

- ① Series No.
- ② Category: H-HSG
- ③ Connector type: F-Female HSG
- ④ Row No. - Pin No.:06P~15P
- ⑤ Special code:  
Blank code-normal  
A-Wing buckle
- ⑥ Material : N0-PA66 94V-0
- ⑦ Color: NC-Natural BK-Black



⑭ 5.10(06~09p)  
11.6(10~15p)



DATE	REV	ECN NO.	DESCRIPTION	MODIFY	APPROVAL
1		2		4	

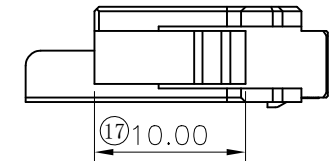
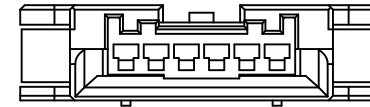
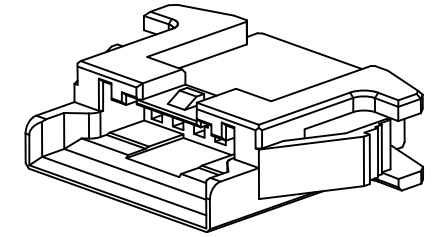
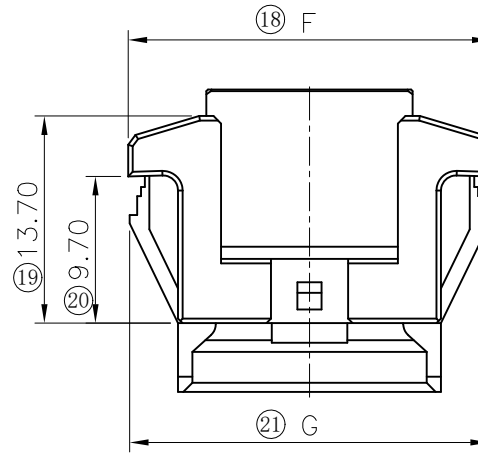
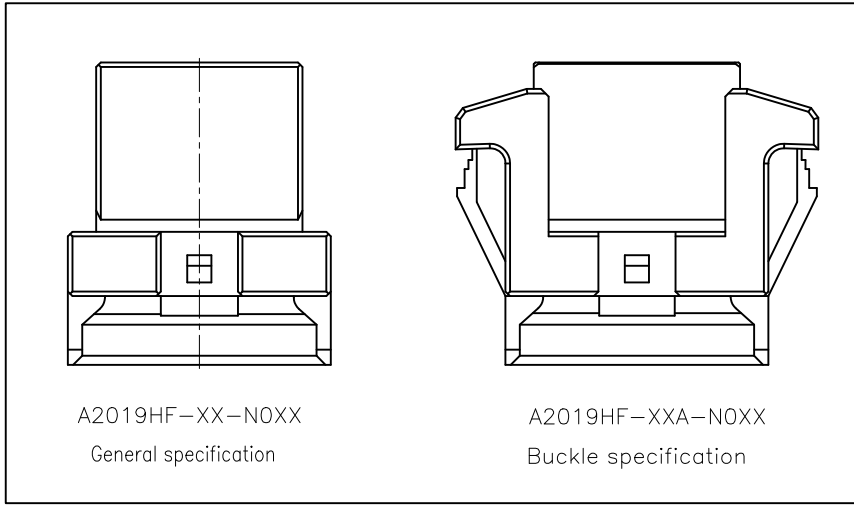
GENERAL TOLERANCE	
.X	±0.35
.XX	±0.25
.XXX	±0.15
X.°	±2°
PROJECT	

**ADZL** 东莞市思量连接器有限公司  
DONGGUAN ADZL CONNECTORS CO.,LTD.

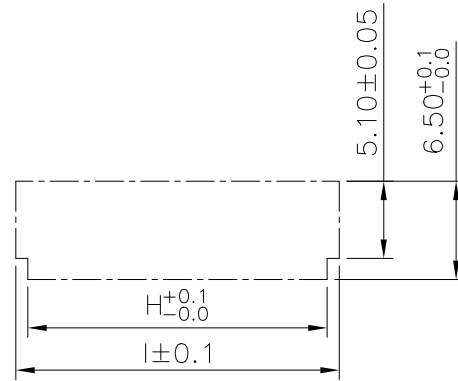
APPROVAL	CHECK	DRAWN	DATE
Ken	Zhao Hong	Allen	2022/06/15

PART NO.				
A2019HF-XXX-N0XX				
TITLE				
2.0Pitch A2019HF				
UNIT	SCALE	SHEET	REV	NUMBER
mm	2:1	1/3		

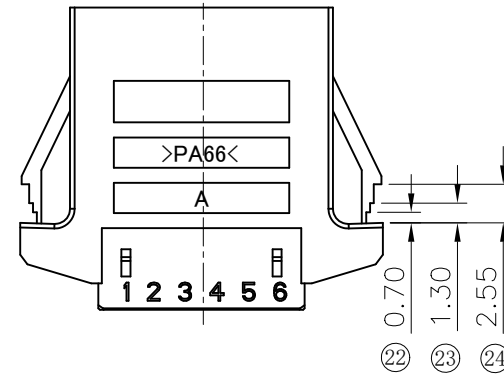
06~15P Buckle specification



No. of Pos.	Dimensions/mm			
	F	G	H	I
06	24.00	23.80	19.80	21.40
07	26.00	25.80	21.80	23.40
08	28.00	27.80	23.80	25.40
09	30.00	29.80	25.80	27.40
10	32.00	31.80	27.80	29.40
11	34.00	33.80	29.80	31.40
12	36.00	35.80	31.80	33.40
13	38.00	37.80	33.80	35.40
14	40.00	39.80	35.80	37.40
15	42.00	41.80	37.80	39.40



Panel Layout



DATE	REV	ECN NO.	DESCRIPTION	MODIFY	APPROVAL
1					

GENERAL TOLERANCE	
.X	$\pm$ 0.35
.XX	$\pm$ 0.25
.XXX	$\pm$ 0.15
X. $^{\circ}$	$\pm$ 2 $^{\circ}$
PROJECT	

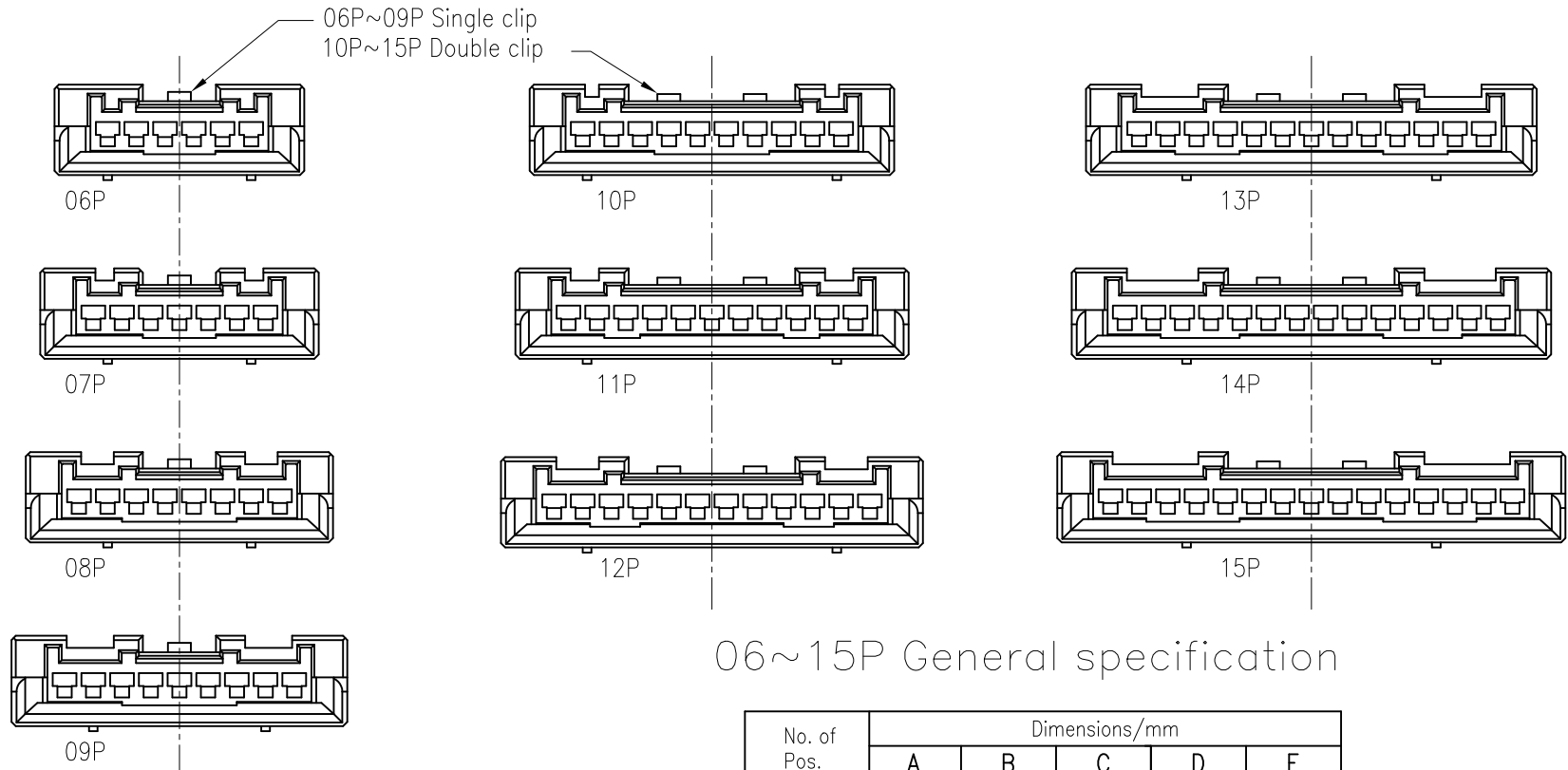
东莞市思量连接器有限公司 DONGGUAN ADZL CONNECTORS CO.,LTD.			
APPROVAL	CHECK	DRAWN	DATE
Ken	Zhao Hong	Allen	2022/06/15

PART NO.				
A2019HF-XXX-N0XX				
TITLE				
2.0Pitch A2019HF				
UNIT	SCALE	SHEET	REV	NUMBER
mm	2:1	3/3		

RoHS

WWW.ADZLCONN.COM

TEL:0769-82285488



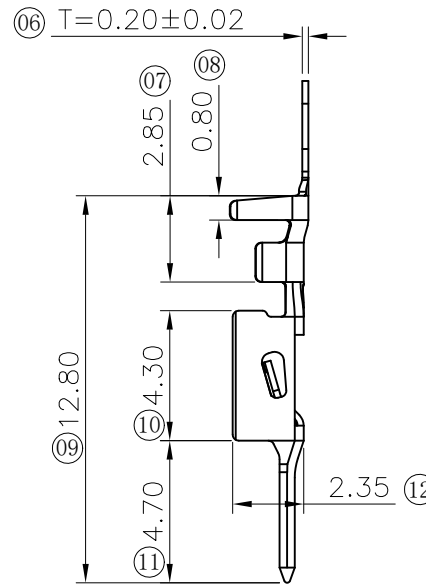
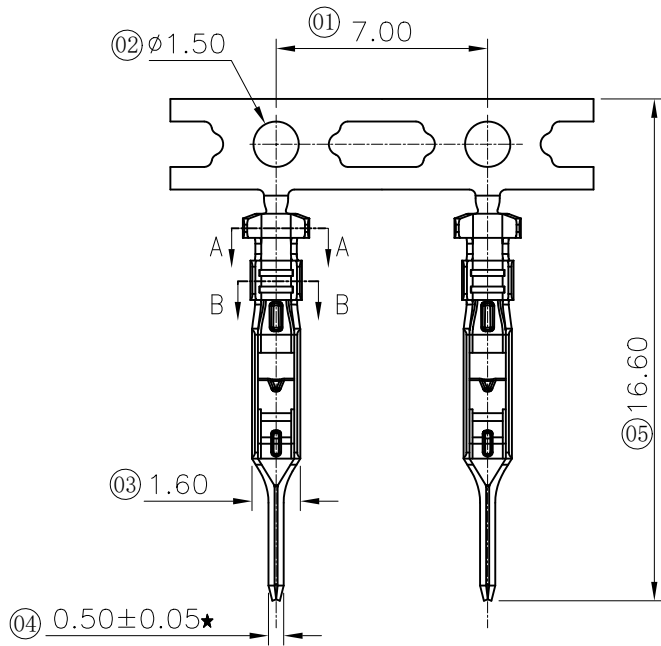
06~15P General specification

No. of Pos.	Dimensions/mm				
	A	B	C	D	E
06	13.65	17.40	12.40	10.00	10.00
07	15.65	19.40	14.40	12.00	
08	17.65	21.40	16.40	14.00	
09	19.65	23.40	18.40	16.00	17.40
10	21.65	25.40	20.40	18.00	
11	23.65	27.40	22.40	20.00	
12	25.65	29.40	24.40	22.00	
13	27.65	31.40	26.40	24.00	
14	29.65	33.40	28.40	26.00	
15	31.65	35.40	30.40	28.00	

DATE	REV	ECN NO.	DESCRIPTION	MODIFY	APPROVAL
1					
2					
3					
4					

GENERAL TOLERANCE			
.X	±0.35		
.XX	±0.25		
.XXX	±0.15		
X.°	±2°		
PROJECT			
APPROVAL	CHECK	DRAWN	DATE
Ken	Zhao Hong	Allen	2022/06/15

PART NO.				
A2019HF-XXX-NOXX				
TITLE				
2.0Pitch A2019HF				
UNIT	SCALE	SHEET	REV	NUMBER
mm	2:1	2/3		

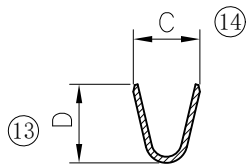


Specifications :

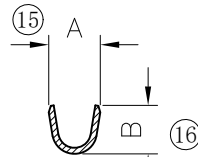
- Current rating: 3A Max.AC / DC(0.35mm<sup>2</sup> Wire)
- Temperature range: -40°C~+105°C
- Contact resistance: ≤10mΩ (Initial)  
≤20mΩ (After Testing)
- Mates With ADZL Housing: A2019HF
- Mates With ADZL Terminal:A2019T
- Product Specification: PS-A2019-04
- Packaging Drawing: PK-A2019TM-PSN1
- Symbols for SPC dimensions:" ★ "

A2019 T X M-P SN1  
① ② ③ ④ ⑤ ⑥

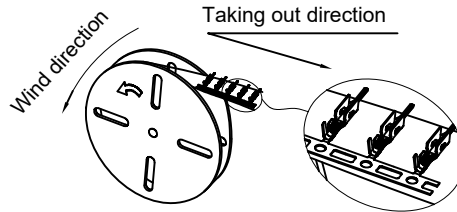
- ① Series No.
- ② Category:T-terminal
- ③ Shape : Blank-Common Feet ;  
H-High Feet ; L-Low Feet
- ④ Connector Type: M-Male terminal
- ⑤ Material: P-Phosphorous Bronze
- ⑥ Plating code: SN1-50~100u"(1.25~2.5um)Ni,  
100~180u"(2.5~4.5um)Tin



SECTION: A-A  
SCALE: 1:1



SECTION: B-B  
SCALE: 1:1



A2019THM-PSN1	AWG#20~22 (0.50~0.35mm <sup>2</sup> )	OD Ø1.6mm Max	1.90	1.85	2.20	2.60
A2019TM-PSN1	AWG#22~24 (0.35~0.22mm <sup>2</sup> )	OD Ø1.3mm Max	1.70	1.60	2.20	2.60
A2019TLM-PSN1	AWG#26~28 (0.13~0.08mm <sup>2</sup> )	OD Ø1.2mm Max	1.30	1.30	1.80	2.00
P/N	Wire Range	Insulation O.D.	Dim A	Dim B	Dim C	Dim D

DATE	REV	ECN NO.	DESCRIPTION	MODIFY	APPROVAL
1		2	3	4	5

GENERAL TOLERANCE

- .X ±0.35
- .XX ±0.25
- .XXX ±0.15
- X.° ±2°

PROJECT



APPROVAL CHECK DRAWN DATE

Ken Wisely He Allen 2021/10/29

PART NO. A2019TXM-PSN1

TITLE 2.00mm Crimp terminal

UNIT	SCALE	SHEET	REV	NUMBER
mm	4:1	1/1		