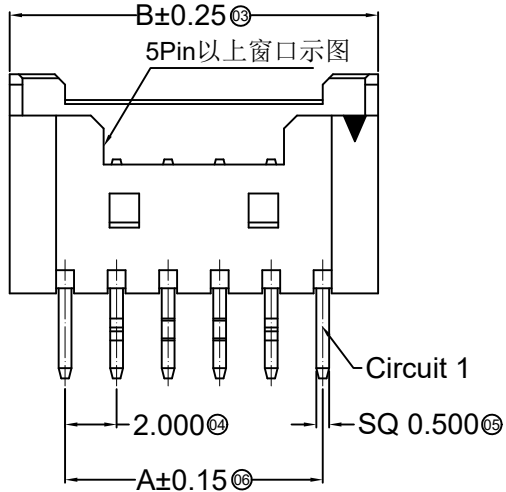
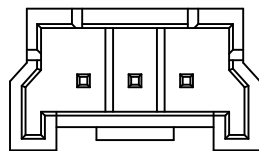
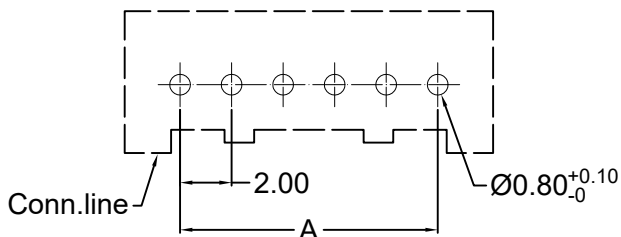


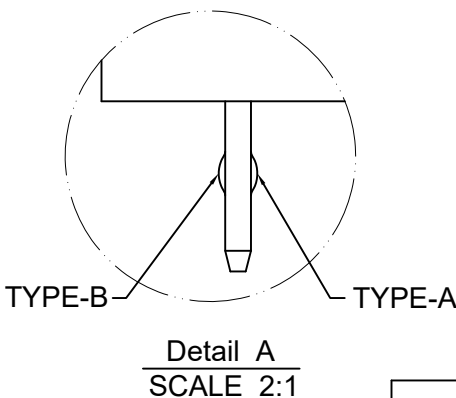
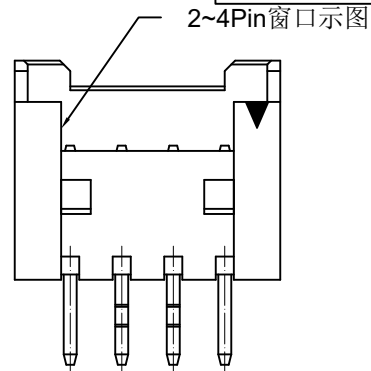
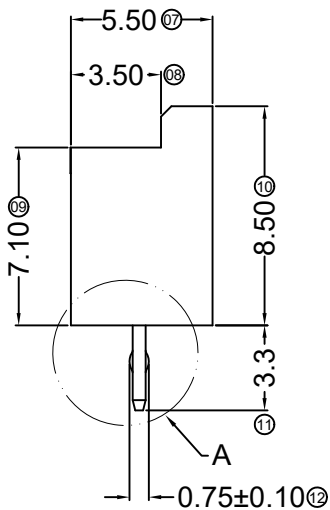
04P~20P Shape
Scale 1:1



Recommended P.C.B Layout
General Tolerance±0.05



02P~03P Shape
Scale 1:1



Specifications :

- Voltage rating: 125V AC / DC
- Current rating: 2A AC / DC
- Withstanding voltage: 1000V AC/minute
- Temperature range: -40°C~+105°C
- Insulation resistance: ≥1000MΩ
- Contact resistance: ≤20mΩ
- After environmental testing: ≤30mΩ

3535 W V X-XX X-N0 SN XX
① ② ③ ④ ⑤ ⑥ ⑦ ⑧ ⑨

- ① Series No.
- ② Category: W-WAFER
- ③ Welding Board Angle: V-Straight 180°
- ④ Welding Way: Blank-DIP
- ⑤ Row No.-Pin No.: XX-02P~20P
- ⑥ Plug the Pin & Special No.:
- ⑦ Material: N0 -PA66 UL 94V-0
- ⑧ Plating Category: SN-Bright Tin Plating
- ⑨ Color : Blank-Natural Color

With K to Choose the type(A Or B)

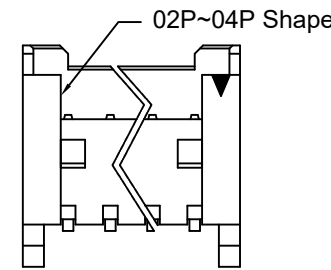
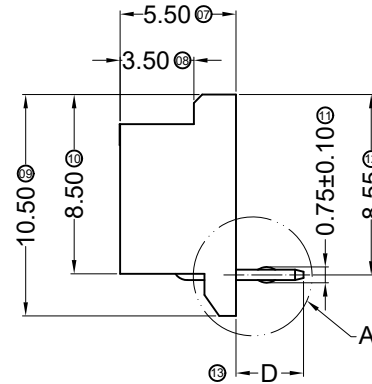
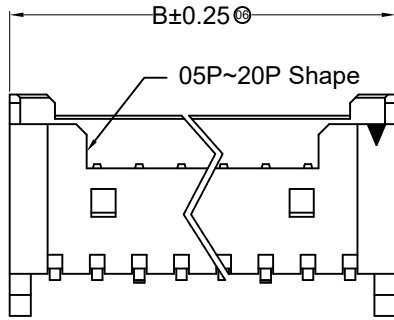
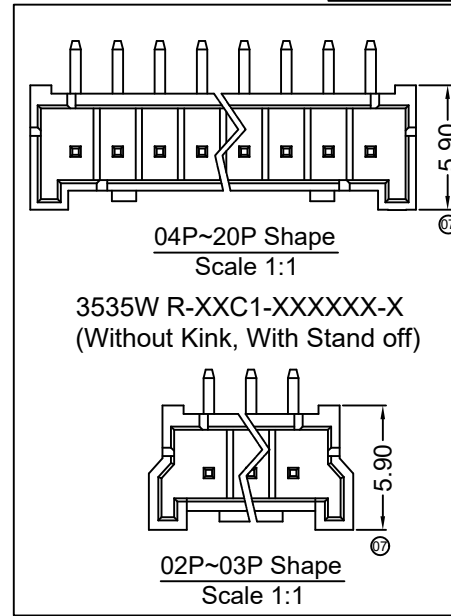
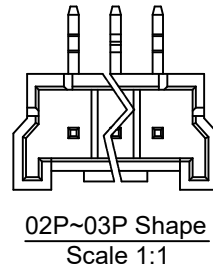
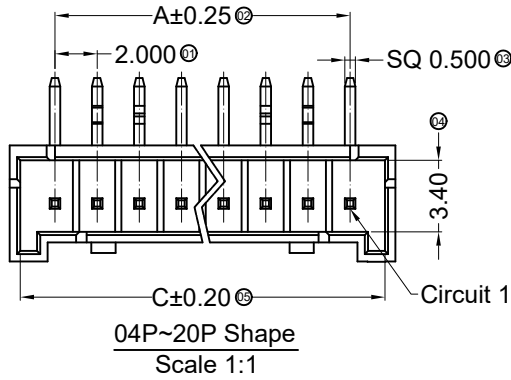
PIN No PoLes	TYPE								
	1	2	3	4	5	6	N-2	N-1	N
6 PIN Over	-	A	B	-	-	-	B	A	-
6 PIN	-	A	B	B	A	-	-	-	-
5 PIN	A	B	-	B	A	-	-	-	-
4 PIN	A	B	B	A	-	-	-	-	-
3 PIN	A	B	A	-	-	-	-	-	-
2 PIN	A	B	-	-	-	-	-	-	-

Poles	Dimensions (mm)			Poles	Dimensions (mm)		
	A	B	C		A	B	C
02	2.00	7.70	5.30	09	16.20	20.50	19.60
03	4.00	9.70	7.30	10	18.20	22.50	21.60
04	6.00	10.30	9.30	11	20.20	24.60	23.60
05	8.00	12.30	11.30	12	22.20	26.60	25.70
06	10.00	14.30	13.30	13	24.20	28.70	27.70
07	12.10	16.40	15.50	14	26.20	30.70	29.70
08	14.10	18.40	17.50	15	28.30	32.80	31.60

3535WV-XX-N0SN	PA 66 UL 94V-0	Brass	Tin-Plated	3535H
PART NO	Material	Material(Pin)	Finish(Pin)	Mates With ADZL Housing

				GENERAL TOLERANCE .X ±0.30 .XX ±0.20 .XXX ±0.10				PART NO. 3535WV-XX-N0SN						
				PROJECT Ken Zhao Hong Allen 2017/02/25				TITLE 2.00mm Crimp Style Connector						
DATE	OLD REV	NEW REV	ECN	DESCRIPTION	CHECK	APPROVAL	APPROVAL	CHECK	DRAWN	DATA	UNIT MM	SCALE 1:1	NUMBER	REV

ADZL 东莞市思量连接器有限公司
DONGGUAN ADZL CONNECTORS CO.,LTD.



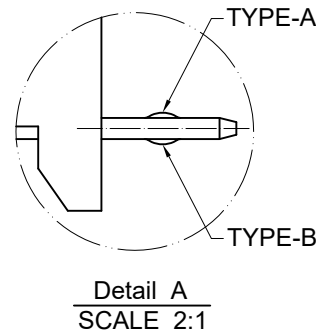
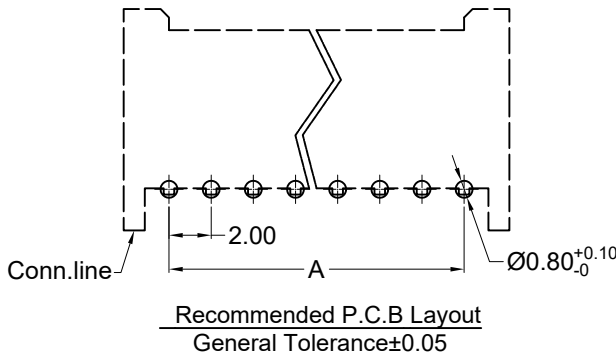
Specifications :

- Voltage rating: 125V AC / DC
- Current rating: 2A AC / DC
- Withstanding voltage: 1000V AC/minute
- Temperature range: -40°C~+105°C
- Insulation resistance: ≥1000MΩ
- Contact resistance: ≤20mΩ
- After environmental testing: ≤30mΩ
- Mates With ADZL Housing:3535H

3535 W R X-XX XX-XX XX XX-X
① ② ③ ④ ⑤ ⑥ ⑦ ⑧ ⑨

- ① Series No.
- ② Category: W-WAFER
- ③ Welding Board Angle: R-Right Angle 90°
- ④ Welding Way: Blank-DIP
- ⑤ Row No.-Pin No.: XX-02P~20P
- ⑥ Plug the Pin & Special No.:
A- DIP=3.20mm,With Kink
B-DIP=2.50mm,With Kink
C-DIP=2.10mm,Without Kink
C1- DIP=2.10mm,Without Kink, With Stand off
- ⑦ Material: N0 -PA66 UL 94V-0
9T -PA9T UL 94V-0
- ⑧ Plating Category: SN-Bright Tin Plating
SW-Matte Tin Plating
- ⑨ Color : Blank-Natural Color
- ⑩ 1- Flow code

Dim"D"	
TYPE	Dimensions (mm)
A	3.20mm,With Kink
B	2.50mm,With Kink
C	2.10mm,Without Kink
C1	2.10mm,Without Kink, With Stand off



With Kink to Choose the type(A Or B)

PIN No	1	2	3	4	5	6	N-2	N-1	N
6 PIN Over	-	A	B	-	-	-	B	A	-
6 PIN	-	A	B	B	A	-	-	-	-
5 PIN	A	B	-	B	A	-	-	-	-
4 PIN	A	B	B	A	-	-	-	-	-
3 PIN	A	B	A	-	-	-	-	-	-
2 PIN	A	B	-	-	-	-	-	-	-

Poles	Dimensions (mm)			Poles	Dimensions (mm)		
	A	B	C		A	B	C
02	2.00	7.70	5.30	09	16.20	20.50	19.60
03	4.00	9.70	7.30	10	18.20	22.50	21.60
04	6.00	10.30	9.30	11	20.20	24.60	23.60
05	8.00	12.30	11.30	12	22.20	26.60	25.70
06	10.00	14.30	13.30	13	24.20	28.70	27.70
07	12.10	16.40	15.50	14	26.20	30.70	29.70
08	14.10	18.40	17.50	15	28.30	32.80	31.60

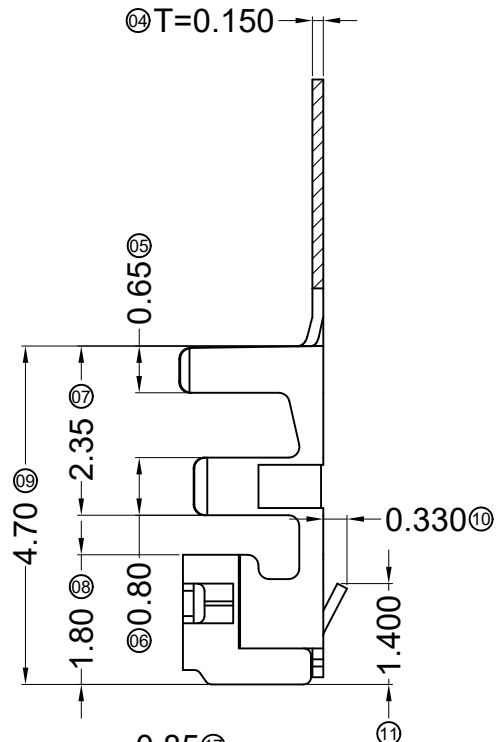
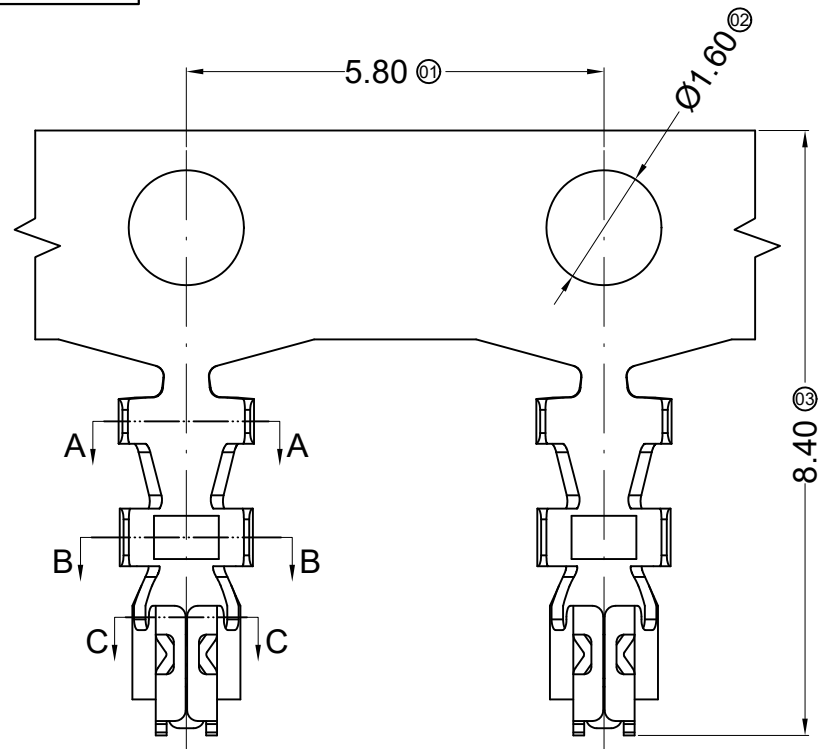
DATE	OLD REV	NEW REV	ECN	DESCRIPTION	CHECK	APPROVAL

GENERAL TOLERANCE	
.X	±0.30
.XX	±0.20
.XXX	±0.10

ADZL 东莞市思量连接器有限公司
DONGGUAN ADZL CONNECTORS CO.,LTD.

APPROVAL	CHECK	DRAWN	DATA
Ken	Zhao Hong	Allen	2017/05/16

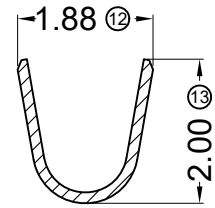
PART NO.			
3535WR-XXXX-XXXX-X			
TITLE			
2.00mm Crimp Style Connector			
UNIT	SCALE	NUMBER	REV
MM	1:1		



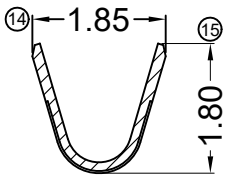
- Specifications :**
- Voltage rating: 125V AC / DC
 - Current rating: 2A AC / DC
 - Withstanding voltage: 1000V AC/minute
 - Temperature range: -40°C~+105°C
 - Insulation resistance: ≥1000MΩ
 - Contact resistance: ≤20mΩ
 - After environmental testing: ≤30mΩ

3535 T H-P XX X-X
① ② ③ ④ ⑤ ⑥ ⑦

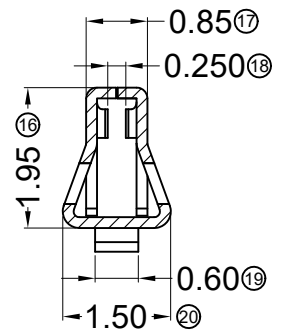
- ① Series No.
- ② Category: T-Terminal
- ③ Shape: H-High Crimp
- ④ Material: P-Phosphor bronze
- ⑤ Plating Style: G03-Contact Gold 3u" SN-Bright Tin Plating
- ⑥ Plating Method : B-Plating before stamping
- ⑦ Mold No./Mark/Special No.



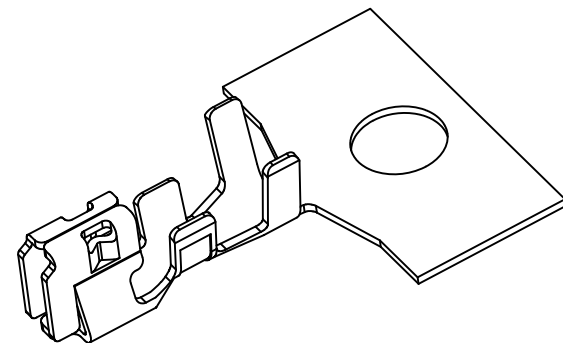
SECTION: A-A
SCALE: 1:1



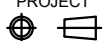
SECTION: B-B
SCALE: 1:1



SECTION: C-C
SCALE: 1:1



3535TH-PSN	Phosphor Bronze	AWG#22-30	1.40mm(Max)	Stamping Before Plating:30u" MIN. Ni; 70u" MIN.Sn	3535H
PART NO	Material	Wire Range	Insulation O.D.	Finish	Used In ADZL Housing

DATE	OLD REV	NEW REV	ECN	DESCRIPTION	CHECK	APPROVAL	PROJECT
							

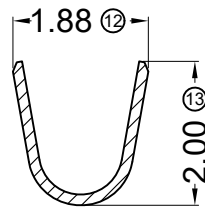
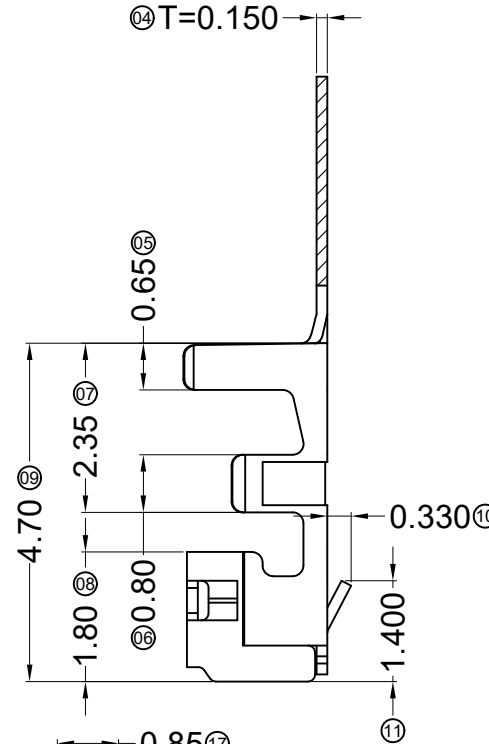
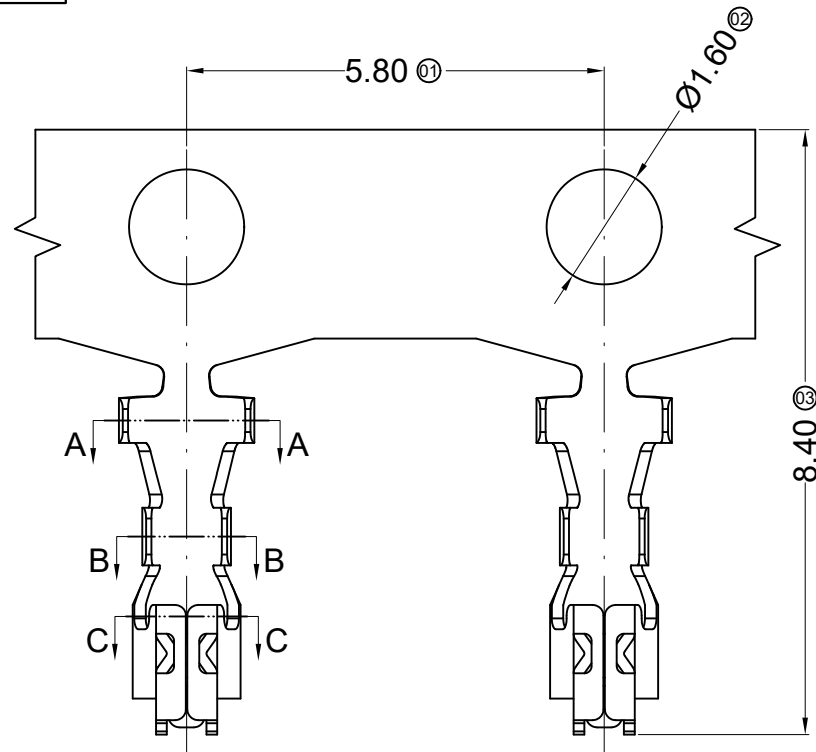
GENERAL TOLERANCE

.X	±0.30
.XX	±0.20
.XXX	±0.10

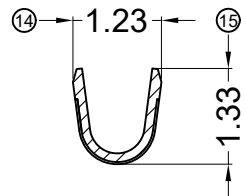
 东莞市思量连接器有限公司
DONGGUAN ADZL CONNECTORS CO.,LTD.

APPROVAL	CHECK	DRAWN	DATA
Ken	Zhao Hong	Allen	2016/10/27

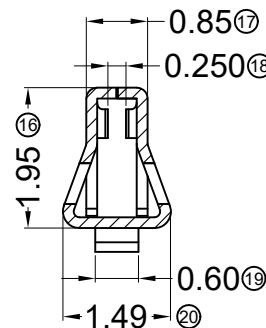
PART NO. 3535TH-PSN			
TITLE 2.00mm Crimp Style Connectors			
UNIT MM	SCALE 1:1	NUMBER	REV



SECTION: A-A
SCALE: 1:1



SECTION: B-B
SCALE: 1:1



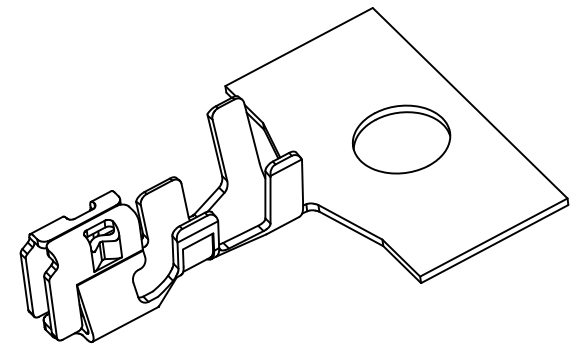
SECTION: C-C
SCALE: 1:1

Specifications :

- Voltage rating: 125V AC / DC
- Current rating: 2A AC / DC
- Withstanding voltage: 1000V AC/minute
- Temperature range: -40°C~+105°C
- Insulation resistance: ≥1000MΩ
- Contact resistance: ≤20mΩ
- After environmental testing: ≤30mΩ
- Wire Range: AWG#24-30
- Insulation O.D.: 1.40mm(Max)
- Used In ADZL Housing: 3535H

3535 T X-P SN X - X
① ② ③ ④ ⑤ ⑥ ⑦

- ① Series Number
- ② Category: T-terminal
- ③ Shape: Blank-ordinary
- ④ Material: P-Phosphor bronze
- ⑤ Plating style: SN-Bright tin plating
- ⑥ Plating method: Blank-Stamping before plating
- ⑦ Mold No./Mark/Special No. :



DATE	OLD REV	NEW REV	ECN	DESCRIPTION	CHECK	APPROVAL

GENERAL TOLERANCE	
.X	±0.30
.XX	±0.20
.XXX	±0.10
PROJECT	

东莞市思量连接器有限公司 DONGGUAN ADZL CONNECTORS CO.,LTD.			
APPROVAL	CHECK	DRAWN	DATA
Ken	Zhao Hong	Allen	2018/02/25

PART NO. 3535T-PSN			
TITLE 2.00mm Crimp Style Connectors			
UNIT MM	SCALE 1:1	NUMBER	REV