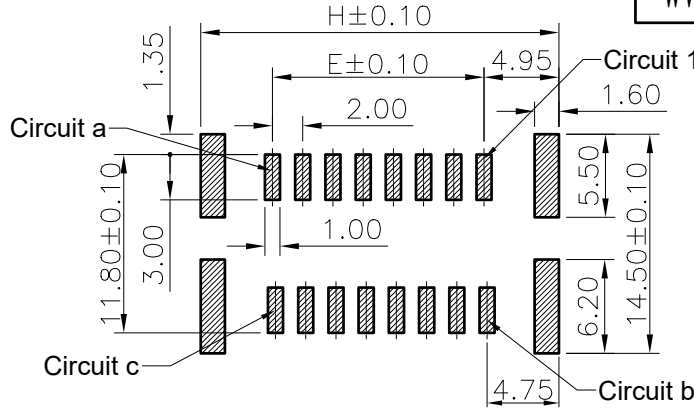
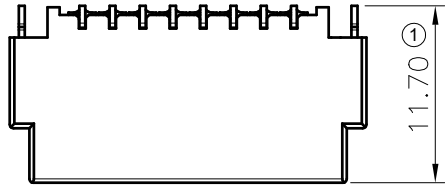


RoHS

WWW.ADZLCONN.COM

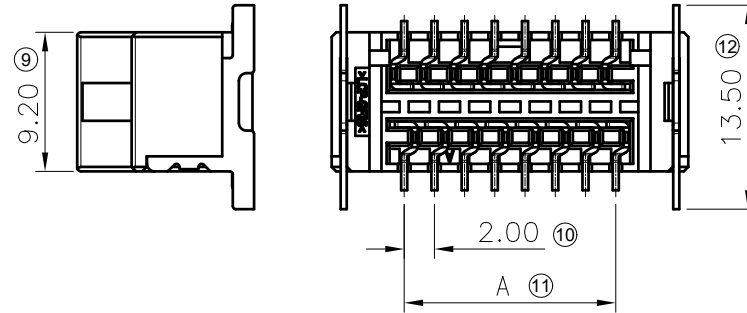
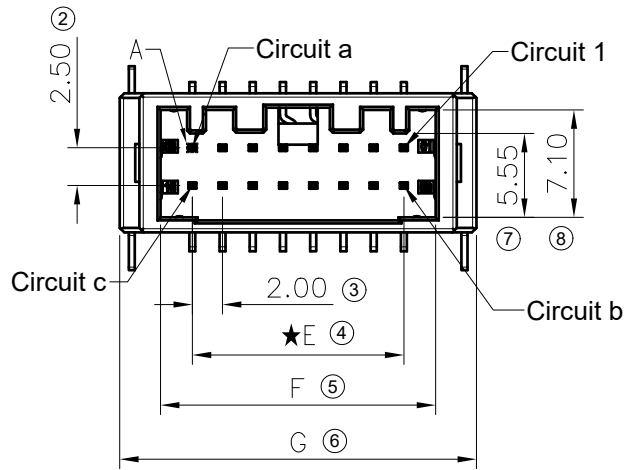
TEL:0769-82285488



Recommended P.C.B Layout
General tolerance ±0.05

Specifications:

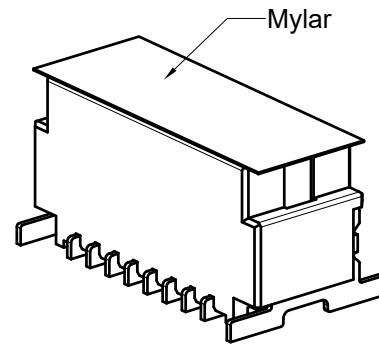
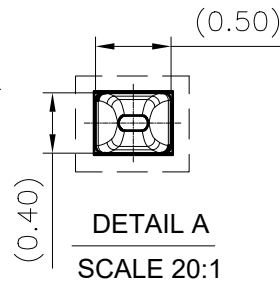
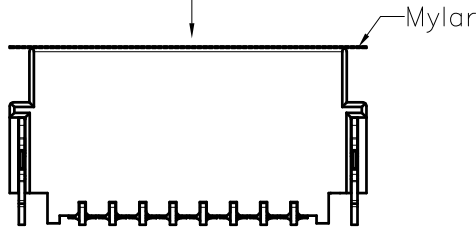
- Voltage Rating:50V AC/DC
- Current Rating:3A AC/DC
- Withstanding Voltage:1000V AC/Minute
- Temperature Range:-40°C~+125°C
- Insulation Resistance:100MΩ Min./500V DC/Minute
- Contact Resistance:≤10mΩ (Initial)
≤20mΩ (After Testing)
- Mates With Housing:A2024AM-2xXX
- Product Specification:PS-A2024-01
- Packaging Drawing:PK-A2024WVS-2xXX-LPXBR
- Symbols for SPC Dimensions:"★"



A2024 W V S-2xXX-LP X B R
① ②③④ ⑤ ⑥⑦⑧⑨

- ① Series No.:A2024
- ② Category:W-Wafer
- ③ Connector Type:V-Straight 180°
- ④ Mounting Type:S-SMT
- ⑤ Row No.-Pin No.:
2xXX-Double Row-2x02Pin~2x20Pin
- ⑥ Plastic Material:LP-LCP (UL94V-0)
- ⑦ Planting Code:SW1-Matte Tin
Underplate:Ni 40~120u"(1~3um) overall
Top Plating:Sn 80~200u"(2~5um) overall
W1-Underplate:Ni 40~120u"(1~3um) overall
Contact area Plating Au 1U"(0.025um)Min
Weld area Plating Sn 80~200u"(2~5um)
- ⑧ Color:B-Black
- ⑨ Packing:R-Reel

A VIEW



DATE	REV	ECN NO.	DESCRIPTION	MODIFY	APPROVAL
1					

GENERAL TOLERANCE	
.X	±0.35
.XX	±0.25
.XXX	±0.15
X.°	±2°
PROJECT	
⊕	⊖

东莞市思量连接器有限公司 DONGGUAN ADZL CONNECTORS CO.,LTD.			
APPROVAL	CHECK	DRAWN	DATE
Ken	Zhao Hong	Allen	2021/06/25

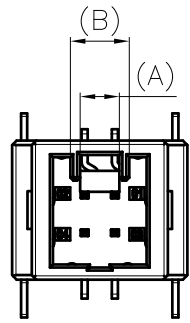
PART NO.				
A2024WVS-2xXX-LPXBR				
TITLE				
2.00mm WF				
ASSY vertical SMT				
UNIT	SCALE	SHEET	REV	NUMBER
mm	2:1	1/2		

RoHS

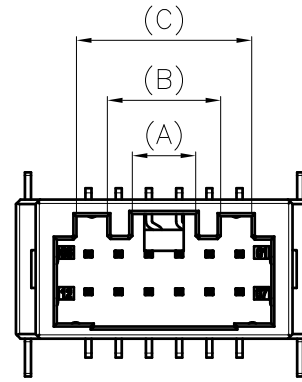
WWW.ADZLCONN.COM

TEL:0769-82285488

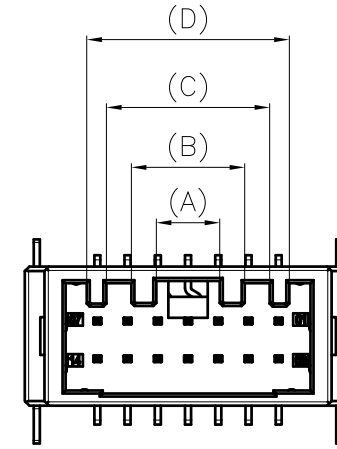
A VIEW



2*02~2*05 Pin



2*06 Pin



2*07~2*12 Pin

Poles	Dimensions/mm								Note
	A	B	C	D	E	F	G	H	
2*02	2.60	3.90	/	/	2.00	6.20	11.60	11.70	Mass production
2*03	2.60	5.40	/	/	4.00	8.20	13.60	13.70	
2*04	4.20	6.70	/	/	6.00	10.20	15.60	15.70	
2*05	4.20	7.50	/	/	8.00	12.20	17.60	17.70	
2*06	4.20	7.50	11.60	/	10.00	14.20	19.60	19.70	
2*07	4.20	7.50	10.80	13.40	12.00	16.20	21.60	21.70	
2*08	4.20	8.60	12.20	14.70	14.00	18.20	23.60	23.70	
2*09	6.30	9.50	13.10	16.60	16.00	20.20	25.60	25.70	
2*10	6.30	10.50	16.30	18.60	18.00	22.20	27.60	27.70	
2*11	6.30	9.40	14.20	18.70	20.00	24.20	29.60	29.70	
2*12	6.30	10.50	16.10	20.70	22.00	26.20	31.60	31.70	
2*13	6.30	10.50	16.10	22.70	24.00	28.20	33.60	33.70	
2*14	6.30	10.50	16.10	24.70	26.00	30.20	35.60	35.70	
2*15	6.30	10.50	16.10	26.70	28.00	32.20	37.60	37.70	
2*16	6.30	10.50	16.10	28.70	30.00	34.20	39.60	39.70	
2*17	6.30	10.50	16.10	30.70	32.00	36.20	41.60	40.70	
2*18	6.30	10.50	16.10	32.70	34.00	38.20	43.60	41.70	
2*19	6.30	10.50	16.10	34.70	36.00	40.20	45.60	43.70	
2*20	6.30	10.50	16.10	36.70	38.00	42.20	47.60	45.70	
									TBD

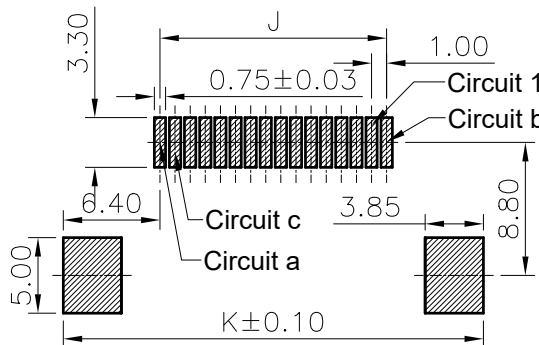
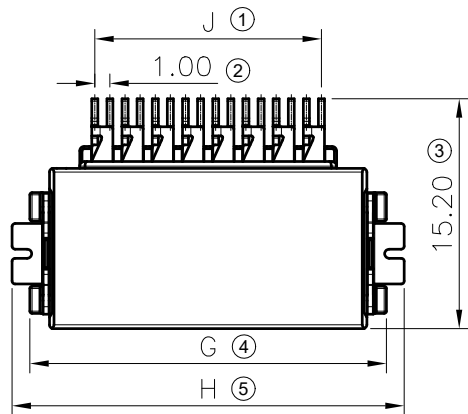
DATE	REV	ECN NO.	DESCRIPTION	MODIFY	APPROVAL
1					
2					
3					
4					

GENERAL TOLERANCE	
.X	±0.35
.XX	±0.25
.XXX	±0.15
X.°	±2°
PROJECT	

ADZL 东莞市思量连接器有限公司
DONGGUAN ADZL CONNECTORS CO.,LTD.

APPROVAL	CHECK	DRAWN	DATE
Ken	Zhao Hong	Allen	2021/06/25

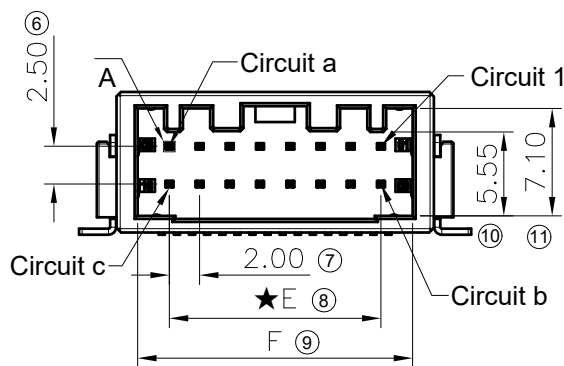
PART NO. A2024WVS-2xXX-LPXBR				
TITLE 2.00mm WF ASSY vertical SMT				
UNIT	SCALE	SHEET	REV	NUMBER
mm	2:1	2/2		



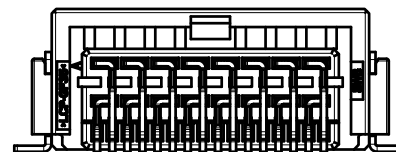
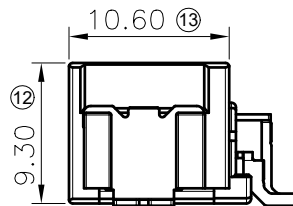
Recommended P.C.B Layout
General tolerance ±0.05

Specifications:

- Voltage Rating:50V AC/DC
- Current Rating:3A AC/DC
- Withstanding Voltage:1000V AC/Minute
- Temperature Range:-40°C~+125°C
- Insulation Resistance:100MΩ Min./500V DC/Minute
- Contact Resistance:≤10mΩ (Initial)
≤20mΩ (After Testing)
- Mates With Housing:A2024AM-2xXX
- Product Specification:PS-A2024-01
- Packaging Drawing:PK-A2024WRS-2xXX-LPXBR
- Symbols for SPC Dimensions:"★"



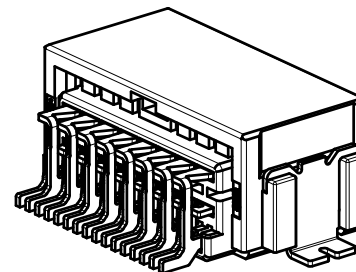
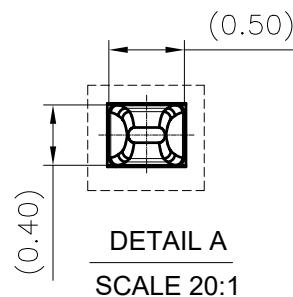
A VIEW



A2024 W R S-2xXX-LP X B R

- ① ② ③ ④ ⑤ ⑥ ⑦ ⑧ ⑨

- ① Series No.:A2024
- ② Category:W-Wafer
- ③ Connector Type:R-Right Angle 90°
- ④ Mounting Type:S-SMT
- ⑤ Row No.-Pin No.:
2xXX-Double Row-2x02Pin~2x20Pin
- ⑥ Plastic Material:LP-LCP (UL94V-0)
- ⑦ Planting Code:SW1-Matte Tin
Underplate:Ni 40~120u"(1~3um) overall
Top Plating:Sn 80~200u"(2~5um) overall
W1-Underplate:Ni 40~120u"(1~3um) overall
Contact area Plating Au 1U"(0.025um)Min
Weld area Plating Sn 80~200u"(2~5um)
- ⑧ Color:B-Black
- ⑨ Packing:R-Reel



DATE	REV	ECN NO.	DESCRIPTION	MODIFY	APPROVAL
1		2	3	4	5

GENERAL TOLERANCE	
.X	±0.35
.XX	±0.25
.XXX	±0.15
X.°	±2°
PROJECT	

东莞市思量连接器有限公司 DONGGUAN ADZL CONNECTORS CO.,LTD.			
APPROVAL	CHECK	DRAWN	DATE
Ken	Zhao Hong	Allen	2021/06/18

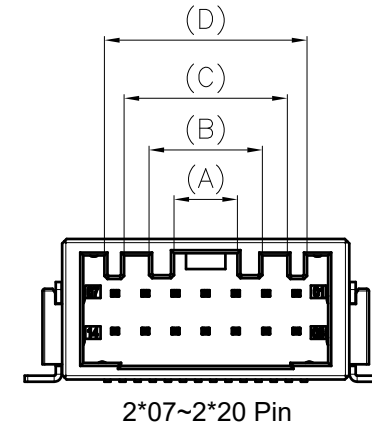
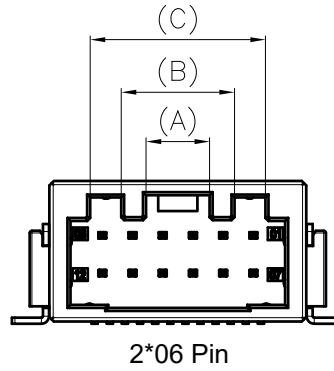
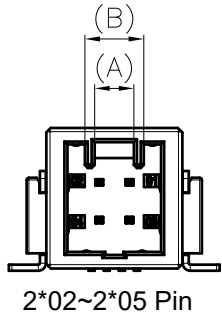
PART NO. A2024WRS-2xXX-LPXBR				
TITLE 2.00mm WF ASSY right-angle SMT				
UNIT	SCALE	SHEET	REV	NUMBER
mm	2:1	1/2		

RoHS

WWW.ADZLCONN.COM

TEL:0769-82285488

A VIEW



Poles	Dimensions/mm										Note
	A	B	C	D	E	F	G	H	J	K	
2*02	2.60	3.90	/	/	2.00	6.20	11.60	13.95	3.00	15.80	Mass production
2*03	2.60	5.40	/	/	4.00	8.20	13.60	15.95	5.00	17.80	
2*04	4.20	6.70	/	/	6.00	10.20	15.60	17.95	7.00	19.80	
2*05	4.20	7.50	/	/	8.00	12.20	17.60	19.95	9.00	21.80	
2*06	4.20	7.50	11.60	/	10.00	14.20	19.60	21.95	11.00	23.80	
2*07	4.20	7.50	10.80	13.40	12.00	16.20	21.60	23.95	13.00	25.80	
2*08	4.20	8.60	12.20	14.70	14.00	18.20	23.60	25.95	15.00	27.80	
2*09	6.30	9.50	13.10	16.60	16.00	20.20	25.60	27.95	17.00	29.80	
2*10	6.30	10.50	16.30	18.60	18.00	22.20	27.60	29.95	19.00	31.80	
2*11	6.30	9.40	14.20	18.70	20.00	24.20	29.60	31.95	21.00	33.80	
2*12	6.30	10.50	16.10	20.70	22.00	26.20	31.60	33.95	23.00	35.80	
2*13	6.30	10.50	16.10	22.70	24.00	28.20	33.60	35.95	25.00	37.80	
2*14	6.30	10.50	16.10	24.70	26.00	30.20	35.60	37.95	27.00	39.80	
2*15	6.30	10.50	16.10	26.70	28.00	32.20	37.60	39.95	29.00	41.80	
2*16	6.30	10.50	16.10	28.70	30.00	34.20	39.60	41.95	31.00	43.80	
2*17	6.30	10.50	16.10	30.70	32.00	36.20	41.60	43.95	33.00	45.80	
2*18	6.30	10.50	16.10	32.70	34.00	38.20	43.60	45.95	35.00	47.80	
2*19	6.30	10.50	16.10	34.70	36.00	40.20	45.60	47.95	37.00	49.80	
2*20	6.30	10.50	16.10	36.70	38.00	42.20	47.60	49.95	39.00	51.80	

Mass production

TBD

DATE	REV	ECN NO.	DESCRIPTION	MODIFY	APPROVAL

GENERAL TOLERANCE	
.X	±0.35
.XX	±0.25
.XXX	±0.15
X.°	±2°
PROJECT	

ADZL 东莞市思量连接器有限公司
DONGGUAN ADZL CONNECTORS CO.,LTD.

APPROVAL	CHECK	DRAWN	DATE
Ken	Zhao Hong	Allen	2021/06/18

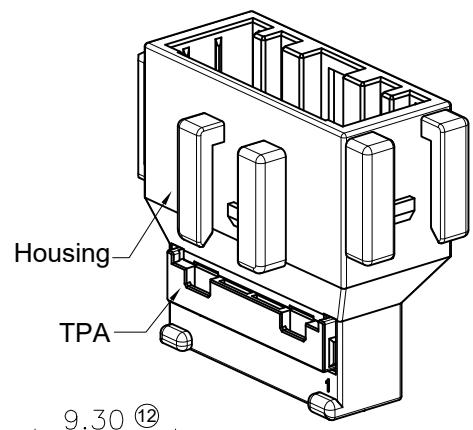
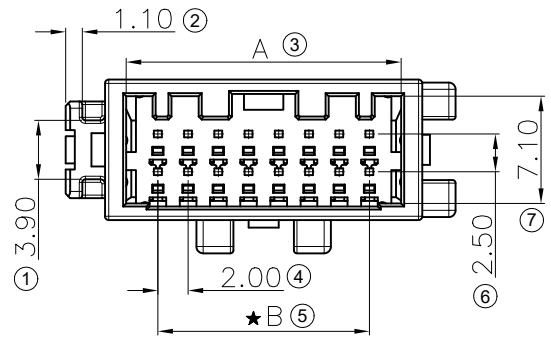
PART NO. A2024WRS-2xXX-LPXBR				
TITLE 2.00mm WF ASSY right-angle SMT				
UNIT	SCALE	SHEET	REV	NUMBER
mm	2:1	2/2		

RoHS

WWW.ADZLCONN.COM

TEL:0769-82285488

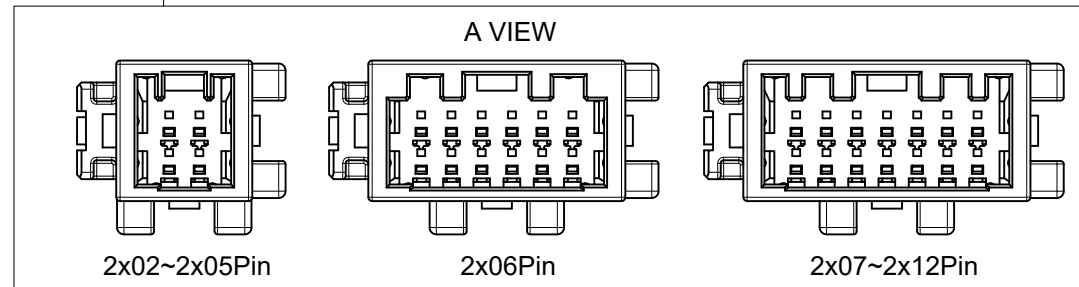
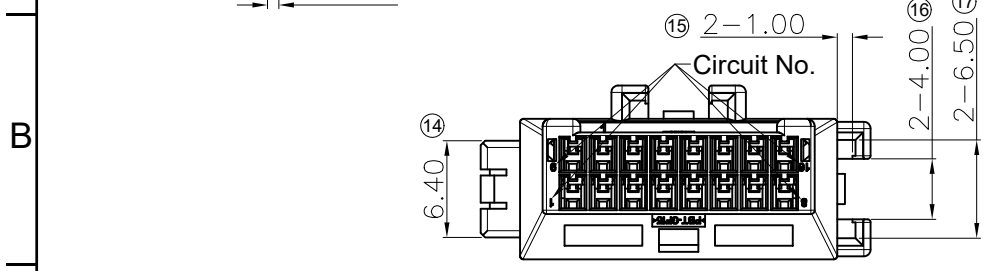
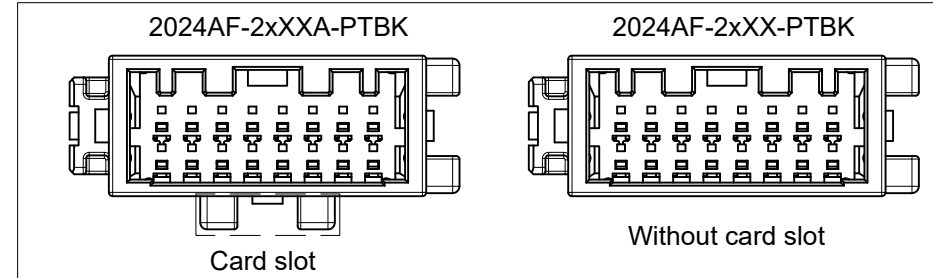
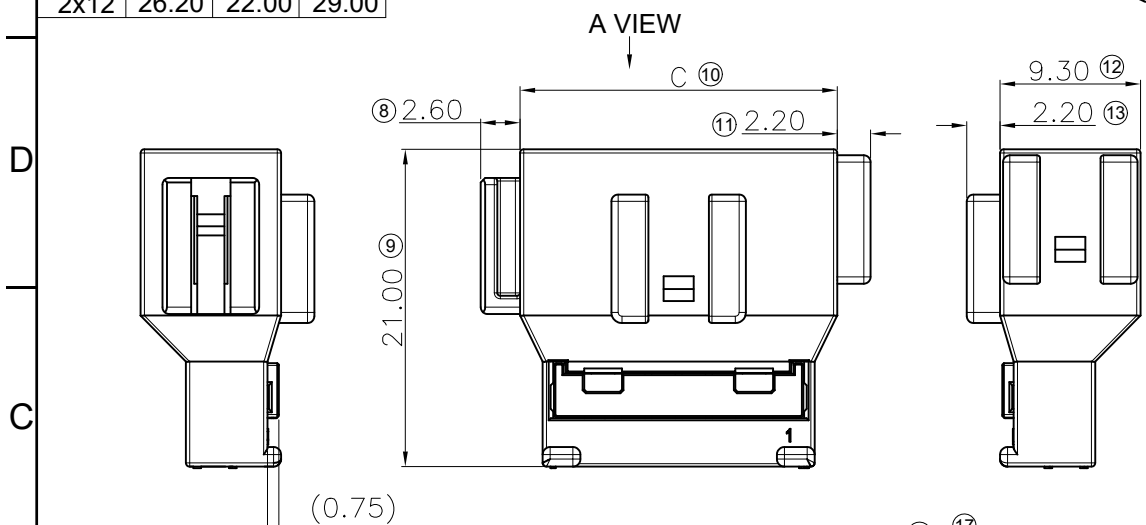
Poles	Dimensions/mm		
	A	B	C
2x02	6.20	2.00	9.00
2x03	8.20	4.00	11.00
2x04	10.20	6.00	13.00
2x05	12.20	8.00	15.00
2x06	14.20	10.00	17.00
2x07	16.20	12.00	19.00
2x08	18.20	14.00	21.00
2x09	20.20	16.00	23.00
2x10	22.20	18.00	25.00
2x11	24.20	20.00	27.00
2x12	26.20	22.00	29.00



- Specifications :
- Voltage rating: 50V Max. AC/DC
 - Withstanding voltage: 1000V AC/minute
 - Temperature range: -40°C~+125°C
 - Insulation resistance: 100MΩ min./500V DC/Minute
 - Mates With ADZL Terminal: A2024TM-BSN1
 - Mates With ADZL Housing: A2024AM-2xXX
 - Symbols for SPC dimensions:" ★ "
 - Product Specification: PS-A2024-01
 - Packaging Drawing: PK-A2024AF-2xXXX-PTBK

A2024 A F- 2xXX X - PT BK
 ① ②③ ④ ⑤ ⑥ ⑦

- ① Series No.: A2024
- ② Category: A-Housing Sub-Assembly
- ③ Connector Type: F-Female Housing
- ④ Row No.-Pin No: 2xXX-Double Row 2x02~2x12Pin
- ⑤ Special NO.: A-With a card slot
Blank-Without card slot
- ⑥ Plastic material: PT-PBT UL94V-0
- ⑦ Color: BK-Black



DATE	REV	ECN NO.	DESCRIPTION	MODIFY	APPROVAL
1					

GENERAL TOLERANCE
 .X ±0.35
 .XX ±0.25
 .XXX ±0.15
 X.° ±2°
 PROJECT

ADZL 东莞市思量连接器有限公司
 DONGGUAN ADZL CONNECTORS CO.,LTD.

APPROVAL: Ken
 CHECK: Zhao Hong
 DRAWN: Allen
 DATE: 2021/09/08

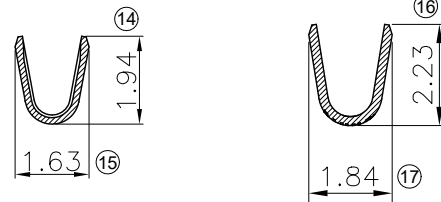
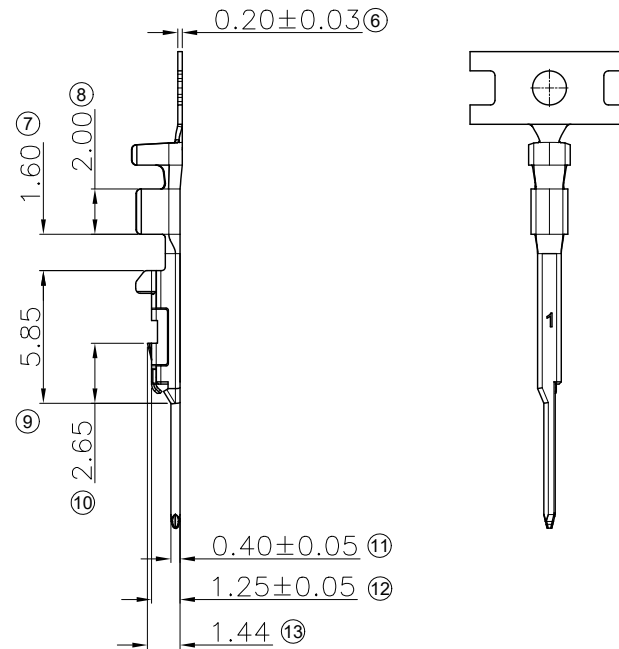
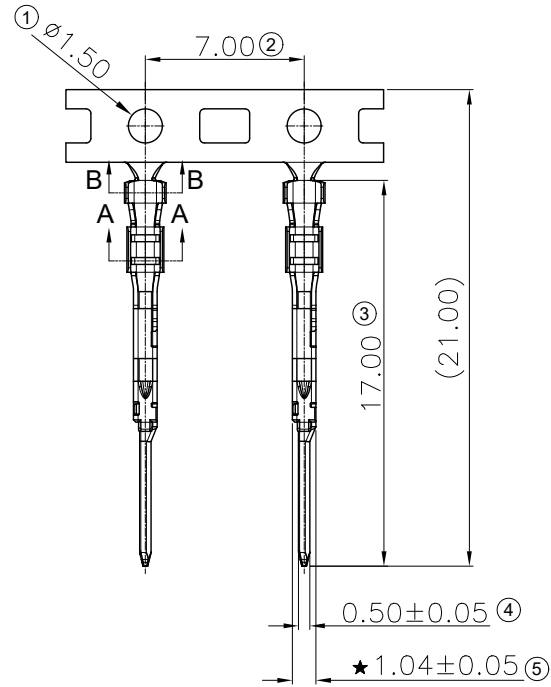
PART NO. A2024AF-2xXXX-PTBK				
TITLE Female Housing Sub-Assy				
UNIT	SCALE	SHEET	REV	NUMBER
mm	2:1	1/1		

■ Specifications:

- Current Rating:3A AC/DC(0.35mm² Wire)
- Temperature Range:-40°C~+125°C
- Contact Resistance:≤10mΩ(Initial)
≤20mΩ(After Testing)
- Mates With ADZL Housing:A2024AF-XXX/2xXXX
- Mates With ADZL Terminal:A2024TF-HY2B
- Packaging Drawing:PK-A2024TM-BSN1
- Product Specification:PS-A2024-01
- Symbols for SPC Dimensions:"★"

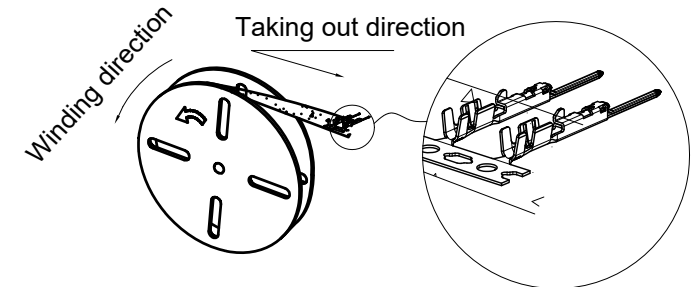
A2024 T M - B SN1
① ② ③ ④ ⑤

- ① Series No.:A2024
- ② Category:T-Terminal
- ③ Connector Type:M-Male terminal
- ④ Material:B-Brass
- ⑤ Plating Code:
SN1-Underplate Ni 40~120u"(1~3um);
Top Plating Sn 80~200u"(2~5um)



SECTION A-A
SCALE 6:1

SECTION B-B
SCALE 6:1



A2024TM-BSN1	AWG#24~22 (0.22~0.35mm ²)	Ø1.3mm Max
Part NO.	Wire Range	Insulation O.D.

DATE	REV	ECN NO.	DESCRIPTION	MODIFY	APPROVAL
1		2	3	4	5

GENERAL TOLERANCE
.X ±0.35
.XX ±0.25
.XXX ±0.15
X.° ±2°
PROJECT
⊕

ADZL 东莞市思量连接器有限公司
DONGGUAN ADZL CONNECTORS CO.,LTD.

APPROVAL	CHECK	DRAWN	DATE
Ken	Zhao Hong	Allen	2021/09/08

PART NO. A2024TM-BSN1				
TITLE Male Terminal				
UNIT	SCALE	SHEET	REV	NUMBER
mm	3:1	1/1		

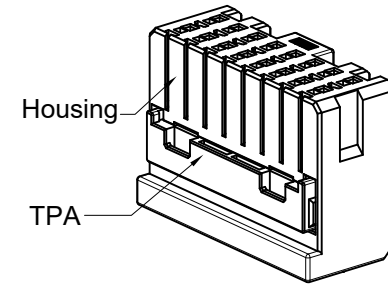
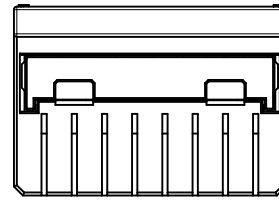
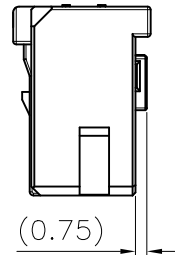
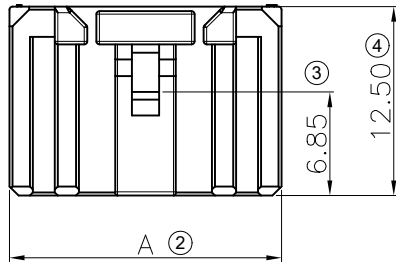
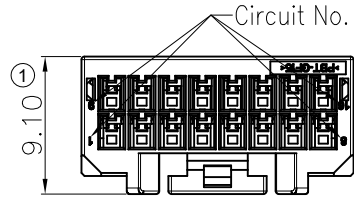
A2024 A M- 2xXX - PT BK

① ②③ ④ ⑤ ⑥

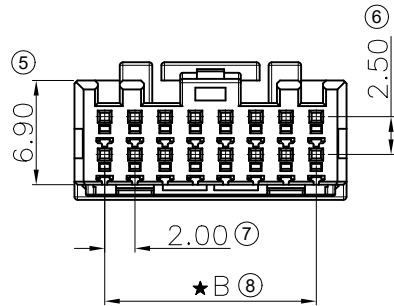
- ① Series No.: A2024
- ② Category: A-Housing Sub-Assembly
- ③ Connector Type: M-Male Housing
- ④ Row No.-Pin No: 2xXX-Double Row 2x02~2x20Pin
- ⑤ Plastic material: PT-PBT UL94V-0
- ⑥ Color: BK-Black

■ Specifications :

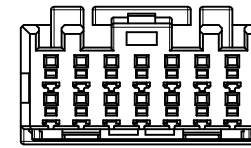
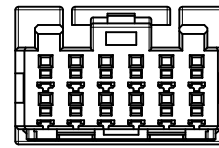
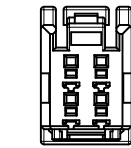
- Voltage rating: 50V Max. AC/DC
- Withstanding voltage: 1000V AC/minute
- Temperature range: -40°C~+125°C
- Insulation resistance: 100MΩ min./500V DC/Minute
- Mates With ADZL Terminal: A2024TF-HY2B
- Mates With ADZL Wafer: A2024WRS-2xXX or A2024WVS-2xXX
- Mates With ADZL Housing: A2024AF-2xXXX
- Symbols for SPC dimensions: " ★ "
- Product Specification: PS-A2024-01
- Packaging Drawing: PK-A2024AM-2xXX-PTBK



A VIEW



A VIEW



2x02~2x05Pin

2x06Pin

2x07~2x20Pin

Poles	Dimensions/mm		Note
	A	B	
2x02	6.00	2.00	Mass production
2x03	8.00	4.00	
2x04	10.00	6.00	
2x05	12.00	8.00	
2x06	14.00	10.00	
2x07	16.00	12.00	
2x08	18.00	14.00	
2x09	20.00	16.00	
2x10	22.00	18.00	
2x11	24.00	20.00	
2x12	26.00	22.00	TBD
2x13	28.00	24.00	
2x14	30.00	26.00	
2x15	32.00	28.00	
2x16	34.00	30.00	
2x17	36.00	32.00	
2x18	38.00	34.00	
2x19	40.00	36.00	
2x20	42.00	38.00	

DATE	REV	ECN NO.	DESCRIPTION	MODIFY	APPROVAL
1					

GENERAL TOLERANCE
.X ±0.35
.XX ±0.25
.XXX ±0.15
X.° ±2°
PROJECT
⊕

ADZL 东莞市思量连接器有限公司
DONGGUAN ADZL CONNECTORS CO.,LTD.

APPROVAL	CHECK	DRAWN	DATE
Ken	Zhao Hong	Allen	2021/09/08

PART NO. A2024AM-2xXX-PTBK				
TITLE Male Housing Sub-Assy				
UNIT	SCALE	SHEET	REV	NUMBER
mm	2:1	1/1		

RoHS

WWW.ADZLCONN.COM

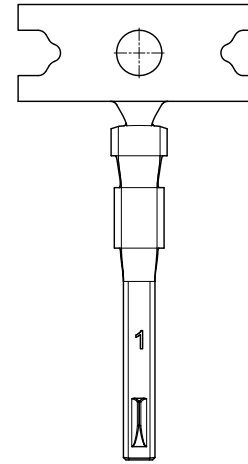
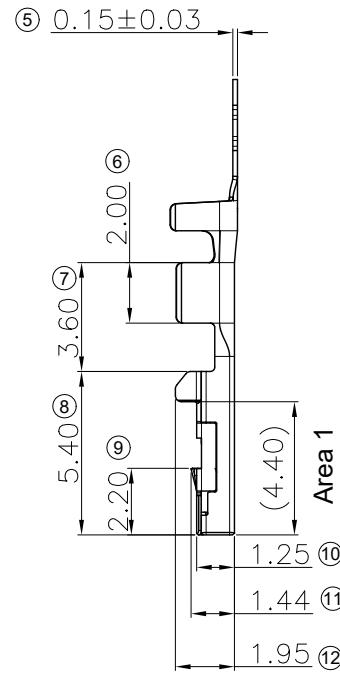
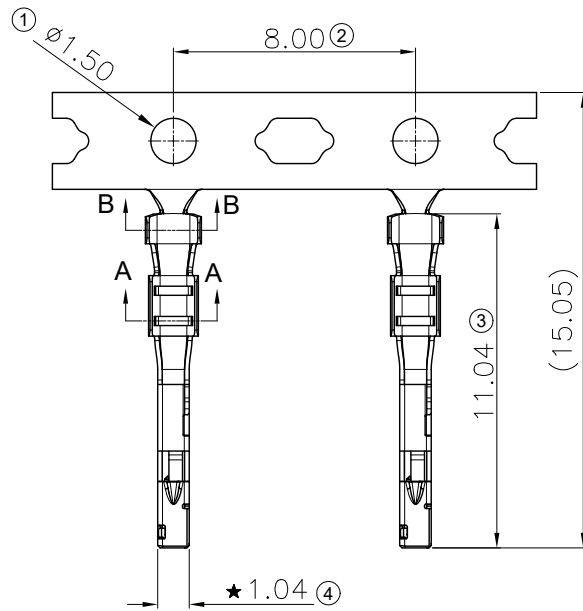
TEL:0769-82285488

Specifications:

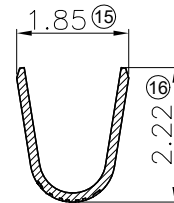
- Current Rating:3A AC/DC(0.35mm² Wire)
- Temperature Range:-40°C~+125°C
- Contact Resistance:≤10mΩ(Initial)
≤20mΩ(After Testing)
- Mates With ADZL Housing:A2024AM-XX/2xXX
- Mates With ADZL Terminal:A2024TM-BSN1
- Packaging Drawing:PK-A2024TF-HXX
- Product Specification:PS-A2024-01
- Symbols for SPC Dimensions:"★"

A2024 T F - H X X
① ② ③ ④ ⑤ ⑥

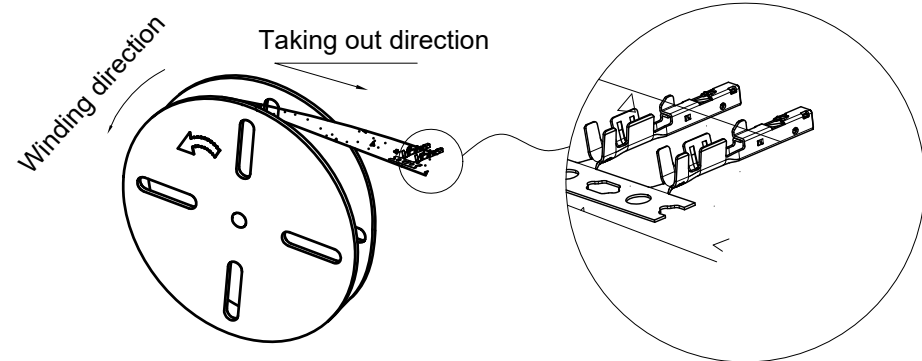
- ① Series No.:A2024
- ② Category:T-Terminal
- ③ Connector Type:F-Female terminal
- ④ Material:H-High conductivity copper
- ⑤ Plating Code: Y2-40~120u"(1~3um) TIN
G1-Underplate Ni 40~120u"(1~3um) ;
Area 1 Plating Au 1U"(0.025um)Min
- ⑥ Plating Process: B-Stamping After Plating
Blank-Stamping Before Plating



SECTION A-A
SCALE 8:1



SECTION B-B
SCALE 8:1



A2024TF-HG1	AWG#24~22	Ø1.4mm Max
A2024TF-HY2B	(0.22~0.35mm ²)	
Part NO.	Wire Range	Insulation O.D.

DATE	REV	ECN NO.	DESCRIPTION	MODIFY	APPROVAL
1		2	3	4	5

GENERAL TOLERANCE
.X ±0.35
.XX ±0.25
.XXX ±0.15
X.° ±2°
PROJECT

东莞市思量连接器有限公司 DONGGUAN ADZL CONNECTORS CO.,LTD.			
APPROVAL	CHECK	DRAWN	DATE
Ken	Zhao Hong	Allen	2021/09/08

PART NO. A2024TF-HXX				
TITLE Female Terminal				
UNIT	SCALE	SHEET	REV	NUMBER
mm	4:1	1/1		