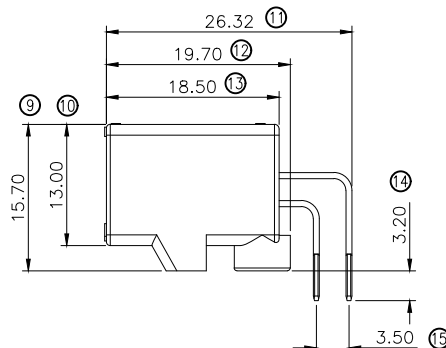
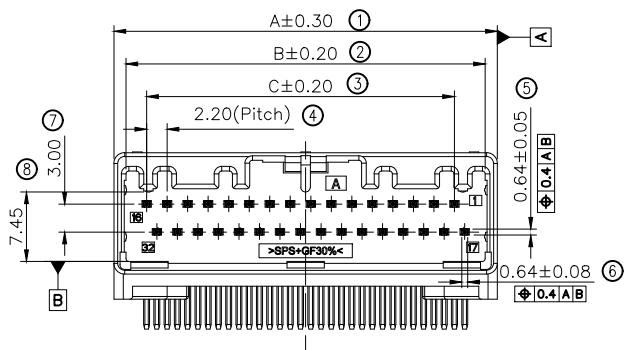
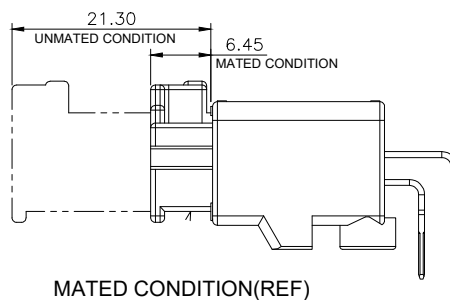
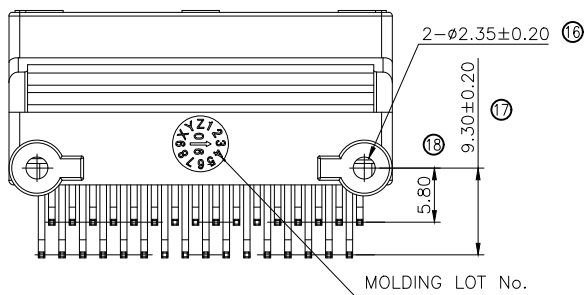


- Specifications :
- Voltage rating: 50V Max. AC / DC
 - Current rating: 3A Max.AC / DC
 - Withstanding voltage: 1000V AC/minute
 - Temperature range: -40°C~+125°C
 - Insulation resistance: 1000MΩ
 - Contact resistance: 5mΩ Max.
 - After environmental testing: 10mΩ Max.
 - Material(Pin): Brass
 - Mates With ADZL Housing: 2201AM

2201 W R - 2*XX -SS SN XX X
 ① ②③ ④ ⑤ ⑥ ⑦ ⑧



- ① Series No.
- ② Category: W-Wafer
- ③ Connector Type: Right Angle 90°
- ④ Row No.-Pin No: 2xXX-Double Row 2xXXPin
- ⑤ Plastic material: SS- SPS UL94V-0
- ⑥ Plating Code: SN- Ni 50u"(1.25um) Min.
Top plating:Sn 100u"(2.5um)overall Min.
- ⑦ Color: Blank-Natural , BK-Black . GY-Gray
- ⑧ Packing: G-Tube , T-Tray



Poles	Dimensions (mm)		
	A	B	C
2*06	19.10	16.50	11.00
2*08	23.50	20.90	15.40
2*10	27.90	25.30	19.80
2*12	32.30	29.70	24.20
2*14	36.70	34.10	28.60
2*16	41.10	38.50	33.00
2*18	45.50	43.00	37.40
2*20	49.90	47.40	41.80

DATE	OLD REV	NEW REV	ECN	DESCRIPTION	CHECK	APPROVAL

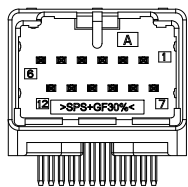
GENERAL TOLERANCE
 .X ±0.35
 .XX ±0.25
 .XXX ±0.15

 东莞市思量连接器有限公司
 DONGGUAN ADZL CONNECTORS CO.,LTD.

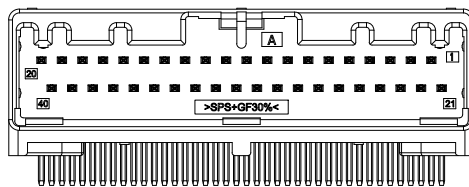
APPROVAL CHECK DRAWN DATA

Ken / Sunny 2022/09/30

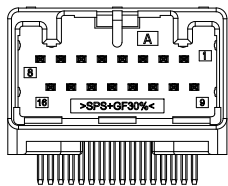
PART NO. 2201WR-2*XX-SSSNXXX				
TITLE 2.20mm Crimp Style Connectors				
UNIT mm	SCALE 1:1	PAGE 1/2	NUMBER W-A0013	REV A



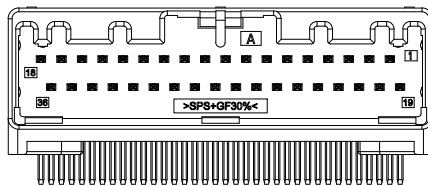
2*06PIN



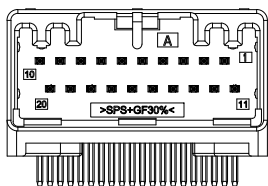
2*20PIN



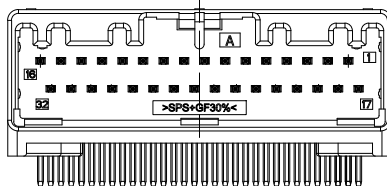
2*08PIN



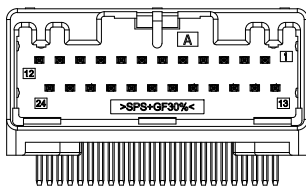
2*18PIN



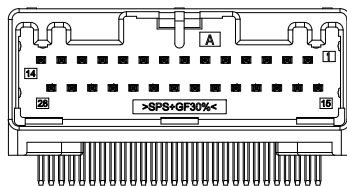
2*10PIN



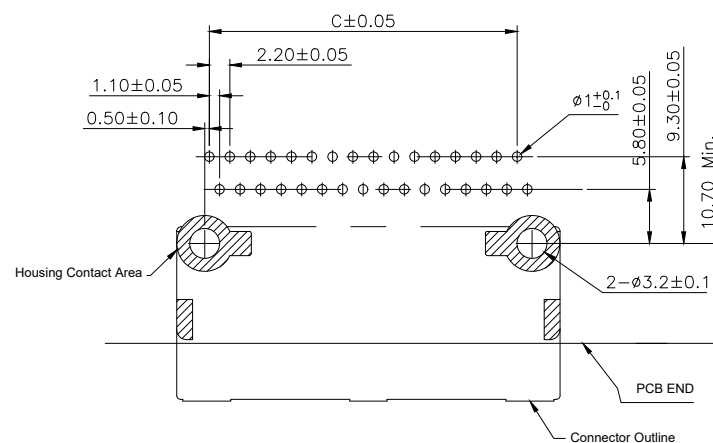
2*16PIN



2*12PIN



2*14PIN



APPLICABLE P.C.B LAYOUT(REF.)

P.C.B THICKNESS t=1.6mm

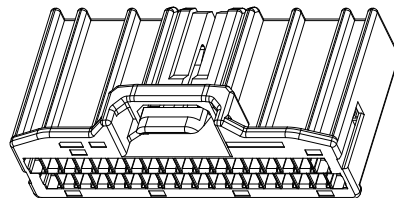
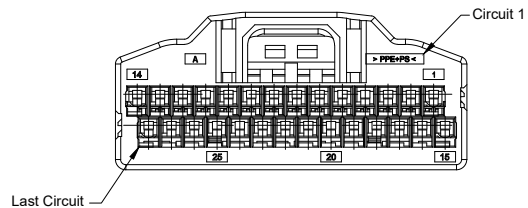
DATE	OLD REV	NEW REV	ECN	DESCRIPTION	CHECK	APPROVAL	PROJECT	

GENERAL TOLERANCE
 .X ±0.35
 .XX ±0.25
 .XXX ±0.15

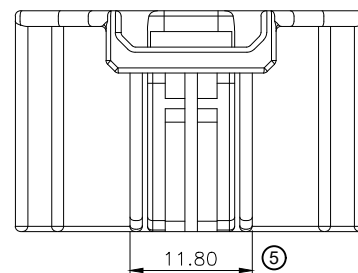
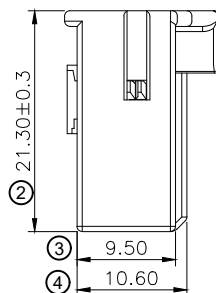
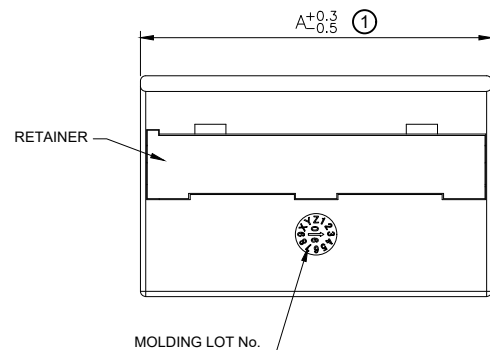
 东莞市思量连接器有限公司
 DONGGUAN ADZL CONNECTORS CO.,LTD.

APPROVAL	CHECK	DRAWN	DATA
Ken	/	Sunny	2022/09/30

PART NO. 2201WR-2*XX-SSSNXXX				
TITLE 2.20mm Crimp Style Connectors				
UNIT mm	SCALE 1:1	PAGE 2/2	NUMBER W-A0013	REV A

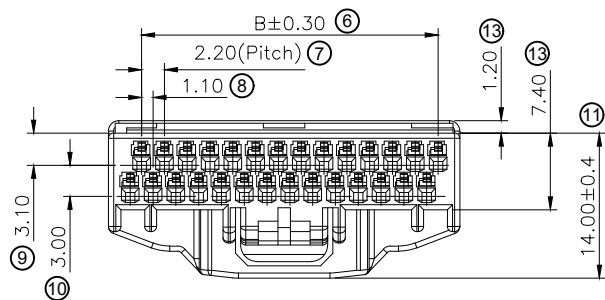


- Specifications :
- Voltage rating: 50V Max. AC / DC
 - Current rating: 3A Max.AC / DC
 - Withstanding voltage: 1000V AC/minute
 - Temperature range: -40°C~+125°C
 - Insulation resistance: 1000MΩ
 - Contact resistance: 5mΩ Max.
 - After environmental testing: 10mΩ Max.
 - Material(Retainer): PPE+PS UL94V-0
 - Mates With SWB Terminal: 2201TXF



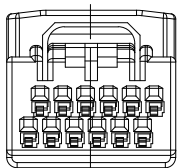
2201 A M - 2*XX -ES XX
① ②③ ④ ⑤ ⑥

- ① Series No.
- ② Category: A-TPA Pre-Assembly Housing
- ③ Connector Type: M-Male Housing
- ④ Row No.-Pin No:
2xXX-Double Row 2xXXPin
- ⑤ Material(Housing): ES-PPE+PS UL94V-0
- ⑥ Color: BK-Black ; GY-Gray

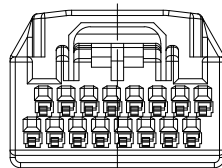


Poles	Dimensions (mm)	
	A	B
2*06	16.30	11.00
2*08	20.70	15.40
2*10	25.10	19.80
2*12	29.50	24.20
2*14	33.90	28.60
2*16	38.30	33.00
2*18	42.70	37.40
2*20	47.10	41.80

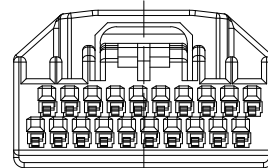
							GENERAL TOLERANCE .X ±0.35 .XX ±0.25 .XXX ±0.15				东莞市思量连接器有限公司 DONGGUAN ADZL CONNECTORS CO.,LTD.				PART NO. 2201AM-2*XX-ESXX												
							APPROVAL Ken				CHECK /				DRAWN Sunny				DATA 2022/09/30				TITLE 2.20mm Crimp Style Connectors				
DATE	OLD REV	NEW REV	ECN	DESCRIPTION	CHECK	APPROVAL	PROJECT		UNIT		SCALE		PAGE		NUMBER		REV										
									mm		1:1		1/2		H-A0018		A										



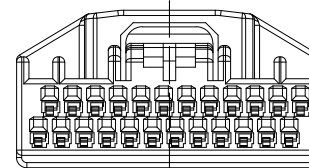
2*06PIN



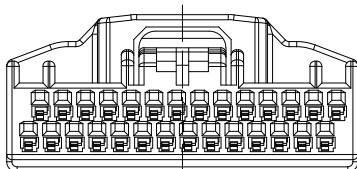
2*08PIN



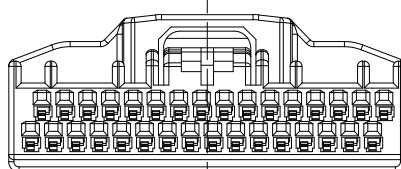
2*10PIN



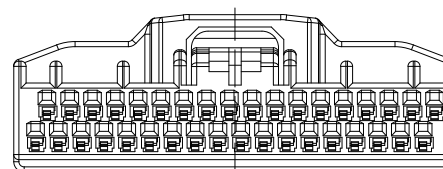
2*12PIN



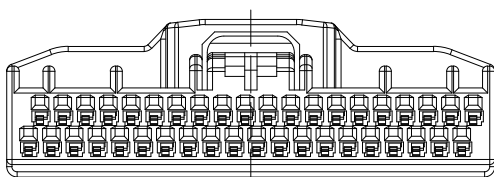
2*14PIN



2*16PIN



2*18PIN



2*20PIN

DATE	OLD REV	NEW REV	ECN	DESCRIPTION	CHECK	APPROVAL	

GENERAL TOLERANCE
 .X ±0.35
 .XX ±0.25
 .XXX ±0.15

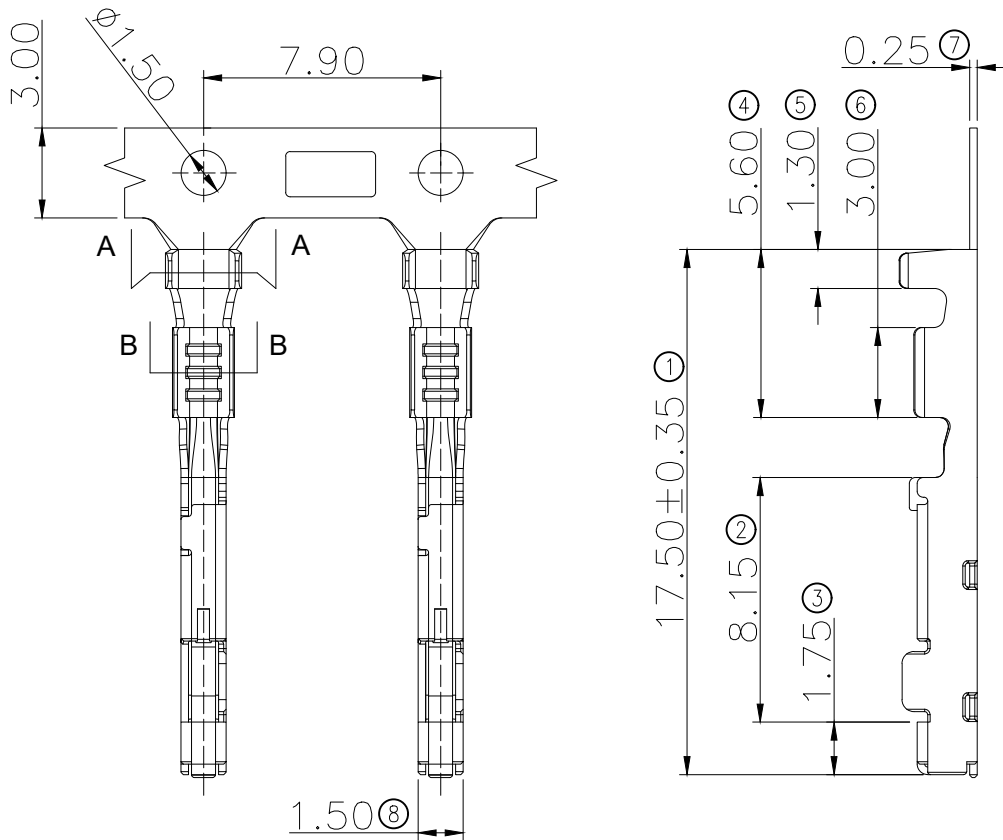


 东莞市思量连接器有限公司
 DONGGUAN ADZL CONNECTORS CO.,LTD.

APPROVAL CHECK DRAWN DATA

Ken / Sunny 2022/09/30

PART NO. 2201AM-2*XX-ESXX				
TITLE 2.20mm Crimp Style Connectors				
UNIT mm	SCALE 1:1	PAGE 2/2	NUMBER H-A0018	REV A



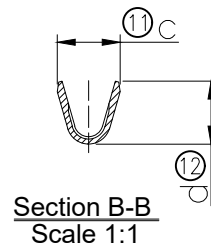
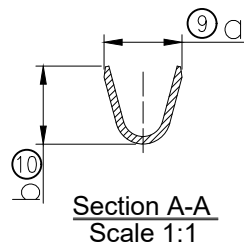
■ Specifications :

- Voltage rating: 50V AC / DC
- Current rating: 3A AC / DC
- Withstanding voltage: 1000V AC/minute
- Temperature range: -40°C~+125°C
- Insulation resistance:1000MΩ
- Contact resistance: 5mΩ Max.
- After environmental testing: 10mΩ Max.
- Used In ADZL Housing:2201AM

2201 T X F- H SN

① ②③④ ⑤ ⑥

- ① Series No.
- ② Category: T-Terminal
- ③ Appearance type:
Blank-Ordinary; H-High feet; L-Low feet
- ④ F-Female Terminal
- ⑤ Material: H-High conductivity copper
- ⑥ SN-Sn 40~120u" (1~3um)



2201THF-HSN	High conductivity copper	AWG#18 (0.85mm ²)	1.80mm(Max)	2.70	2.90	2.55	3.00
2201TF-HSN		AWG#20 (0.5~0.75mm ²)	1.60~1.80mm	2.70	2.70	2.50	2.45
2201TLF-HSN		AWG#24~22 (0.22~0.35mm ²)	1.20~1.60mm	2.60	2.60	2.10	2.10
P/N	Material	Wire Size	Insulation O.D	DIM a	DIM b	DIM c	DIM d

DATE	OLD REV	NEW REV	ECN	DESCRIPTION	CHECK	APPROVAL

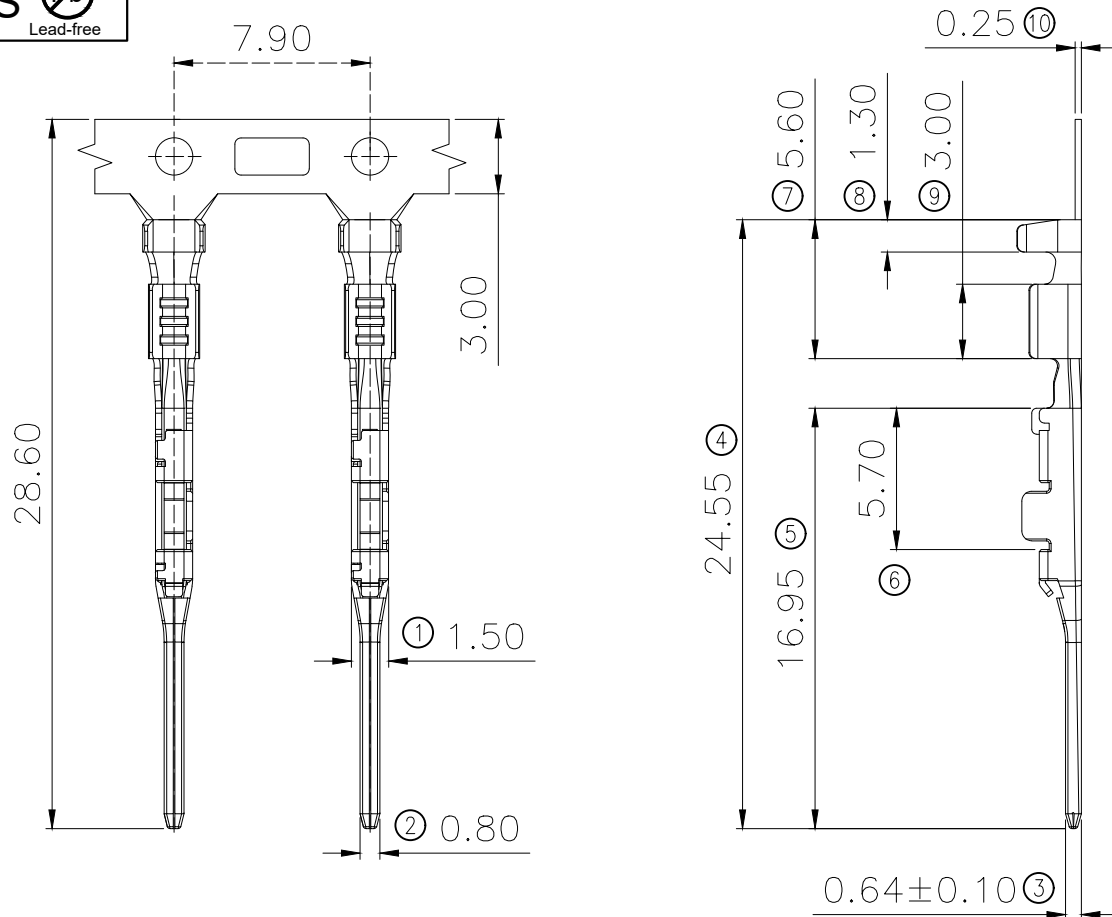
GENERAL TOLERANCE
.X ±0.35
.XX ±0.25
.XXX ±0.15

 东莞市思量连接器有限公司
DONGGUAN ADZL CONNECTORS CO.,LTD.

APPROVAL CHECK DRAWN DATA

Ken / Sunny 2022/09/30

PART NO. 2201TXF-HSN				
TITLE 2.20mm Crimp Style Connectors				
UNIT mm	SCALE 1:1	PAGE 2/2	NUMBER T-A0015	REV A



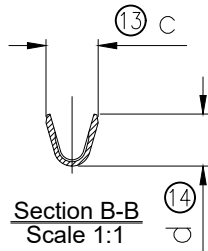
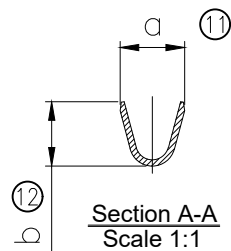
■ Specifications :

- Voltage rating: 50V AC / DC
- Current rating: 3A AC / DC
- Withstanding voltage: 1000V AC/minute
- Temperature range: -40°C~+125°C
- Insulation resistance:1000MΩ
- Contact resistance: 5mΩ Max.
- After environmental testing: 10mΩ Max.
- Used In ADZL Housing:2201AF

2201 T X M- B SN

① ②③④ ⑤ ⑥


- ① Series No.
- ② Category: T-Terminal
- ③ Appearance type: Blank-Ordinary; H-High feet; L-Low feet
- ④ M-Male Terminal
- ⑤ Material: B-Brass
- ⑥ Plating Code: SN-Bright Tin Plating



2201THM-BSN	BRASS	AWG#18 (0.75mm ²)	1.80mm(Max)	2.70	2.90	2.55	3.00
2201TM-BSN		AWG#18~20 (0.5~0.75mm ²)	1.60~1.80mm	2.70	2.70	2.50	2.45
2201TLM-BSN		AWG#24~22 (0.22~0.35mm ²)	1.20~1.60mm	2.60	2.60	2.10	2.10
P/N	Material	Wire Size	Insulation O.D	DIM a	DIM b	DIM c	DIM d

DATE	OLD REV	NEW REV	ECN	DESCRIPTION	CHECK	APPROVAL

GENERAL TOLERANCE
.X ±0.35
.XX ±0.25
.XXX ±0.15

 东莞市思量连接器有限公司
DONGGUAN ADZL CONNECTORS CO.,LTD.

APPROVAL CHECK DRAWN DATA

Ken / Sunny 2022/09/30

PART NO. 2201TXM-BSN				
TITLE 2.20mm Crimp Style Connectors				
UNIT mm	SCALE 1:1	PAGE 2/2	NUMBER T-A0014	REV A