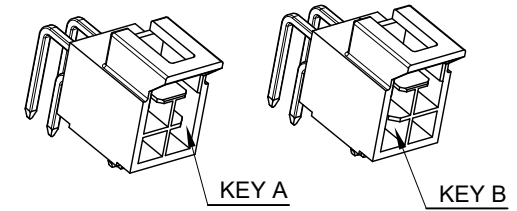
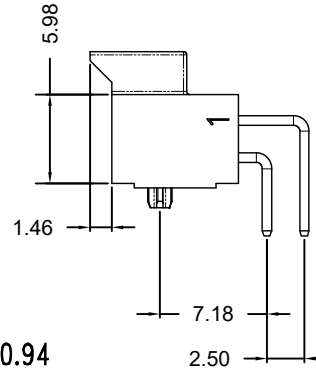
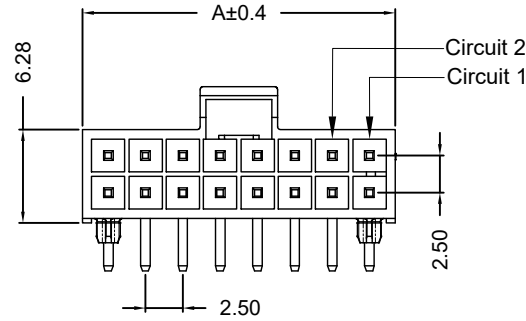
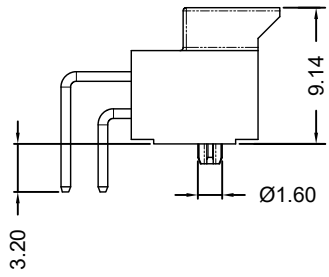


**Specifications :**

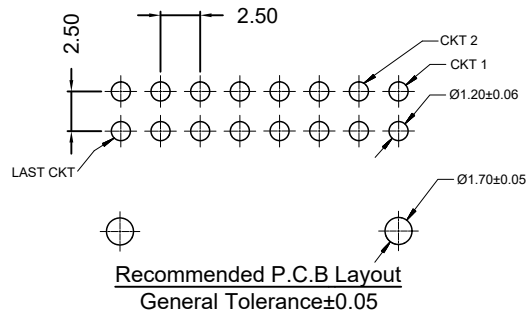
- Voltage rating: 250V AC / DC
- Current rating: 5A AC / DC
- Withstanding voltage: 1000V AC/minute
- Temperature range: -40°C~+105°C
- Insulation resistance: ≥1000MΩ
- Contact resistance: ≤20mΩ
- After environmental testing: ≤50mΩ
- Material(Pin): Brass
- Mates With ADZL Housing: 2514H-2\*XXX-4T

**2514 WR X-2\*XX X - LP HSN**

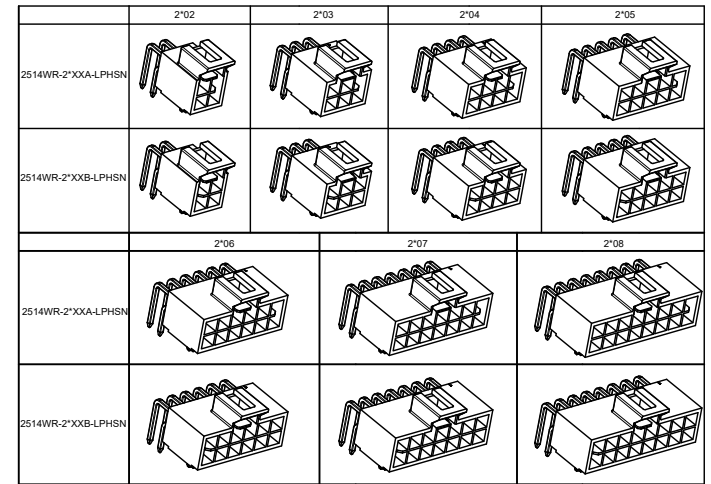
- ① Series No.
- ② Category: W-WAFER
- ③ Welding Board Angle: R-Right Angle 90°
- ④ Welding Way: Blank-DIP
- ⑤ Row No.-Pin No.: 2\*XX-2\*04P~2\*08P
- ⑥ Plug the Pin & Special No.:  
A-KEY A, Color:Black  
B-KEY B, Color:Natural
- ⑦ Material: LP -LCP 94V-0
- ⑧ Plating Category:  
HSN-H65 Bright Tin Plating ;



$1.25 \times N + 0.94$



Poles	Dimensions (mm)
	A
2*02	5.94
2*03	8.44
2*04	10.94
2*05	13.44
2*06	15.94
2*07	18.44



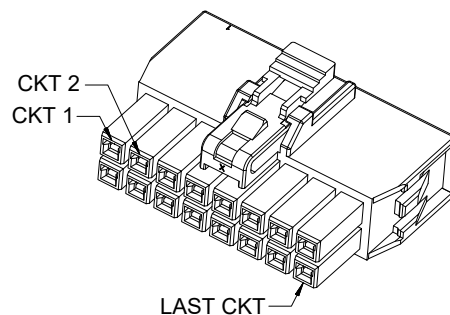
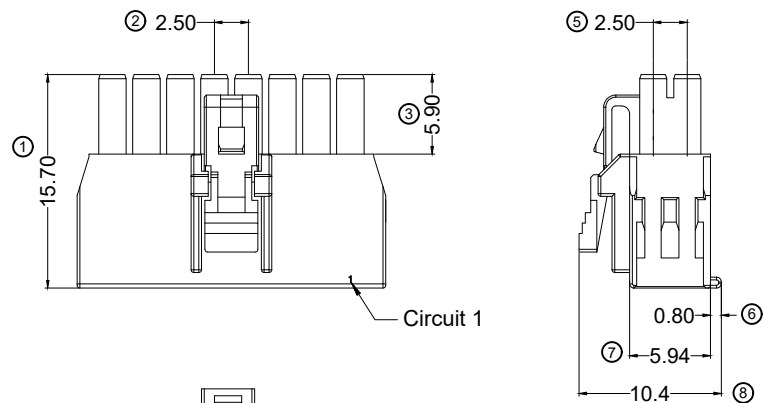
DATE	OLD REV	NEW REV	ECN	DESCRIPTION	CHECK	APPROVAL

GENERAL TOLERANCE	
.X	±0.30
.XX	±0.20
.XXX	±0.10
PROJECT	



APPROVAL	CHECK	DRAWN	DATA
Ken	Zhao Hong	Allen	2018/01/30

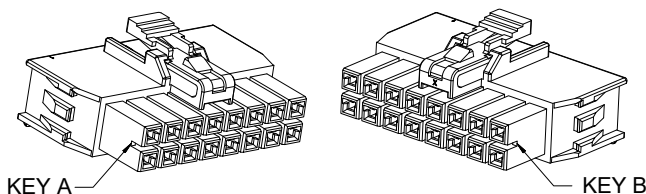
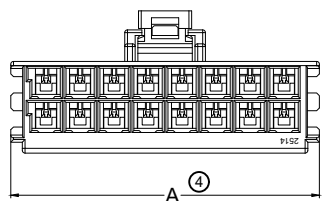
PART NO.			
2514WR-2*XXX-LPHSN			
TITLE			
2.5mm Crimp Style Connectors			
UNIT	SCALE	NUMBER	REV
MM	1 : 1		



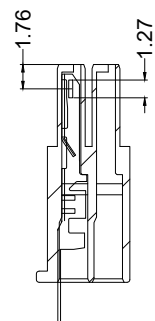
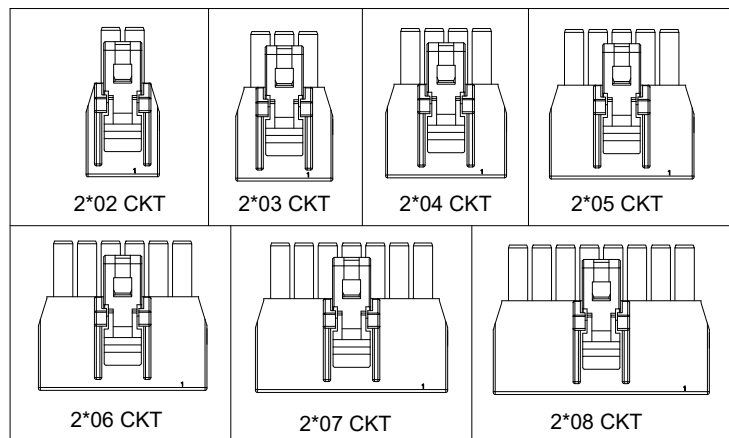
- Specifications :
- Voltage rating: 250V AC / DC
  - Current rating: 4A AC / DC
  - Withstanding voltage: 1000V AC/minute
  - Temperature range: -40°C~+105°C
  - Insulation resistance: ≥1000MΩ
  - Contact resistance: ≤30mΩ
  - After environmental testing: ≤50mΩ

2514 H X-2\*XX X -46  
① ② ③ ④ ⑤ ⑥

- ① Series No.
- ② Category: H-HSG
- ③ Appearance type: Blank-Ordinary
- ④ Row No.-Pin No.: 2\*XX-2\*02P~2\*07P
- ⑤ Plug the Pin & special No.:  
A-KEY A, Color:Black  
B-KEY B, Color:Natural
- ⑥ Material: 46-PA46+30%GF UL94V-0

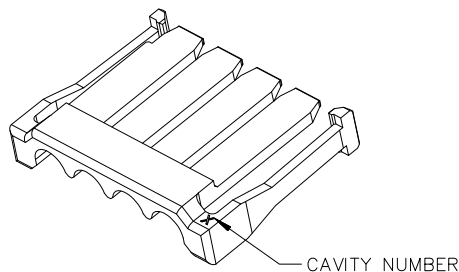
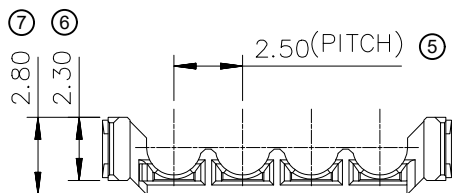


Poles	Dimensions (mm)	
	A	
2*02	7.70	
2*03	10.20	
2*04	12.70	
2*05	15.20	
2*06	17.70	
2*07	20.20	
2*08	22.70	



2514H-2*XXX-46	2514TX-XXXXX	2514C-1*XXXX-XX	2514WR-2*XXX-LPHSN
PART NO	Suitable ADZL Terminal	Suitable ADZL Cover	Mates With ADZL Wafer

							GENERAL TOLERANCE	东莞市思量连接器有限公司 DONGGUAN ADZL CONNECTORS CO.,LTD.				PART NO. 2514H-2*XXX-46			
							.X ±0.40					TITLE 2.50mm Crimp Style Connectors			
2022/9/15	A	B	/	材质PA4T变更为PA46	Sunny	Ken	.XX ±0.25	APPROVAL	CHECK	DRAWN	DATA	UNIT mm	SCALE 1:1	NUMBER H-A0015	REV B
DATE	OLD REV	NEW REV	ECN	DESCRIPTION	CHECK	APPROVAL	.XXX ±0.15	PROJECT	Ken	Zhuwu	Allen	2018/05/08			



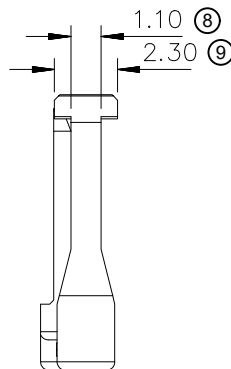
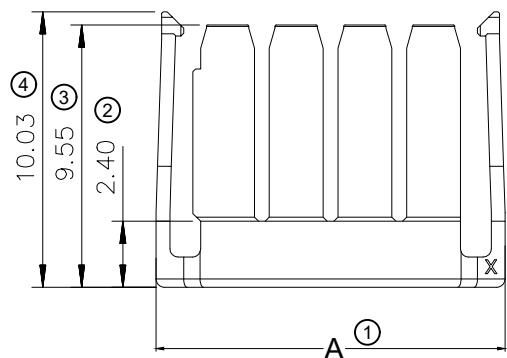
Specifications :

- Voltage rating: 250V AC / DC
- Current rating: 4A AC / DC
- Withstanding voltage: 1000V AC/minute
- Temperature range: -40°C~+105°C
- Insulation resistance: ≥1000MΩ
- Contact resistance: ≤30mΩ
- After environmental testing: ≤50mΩ
- Suitable ADZL Housing: 2514H-2\*XXX-46

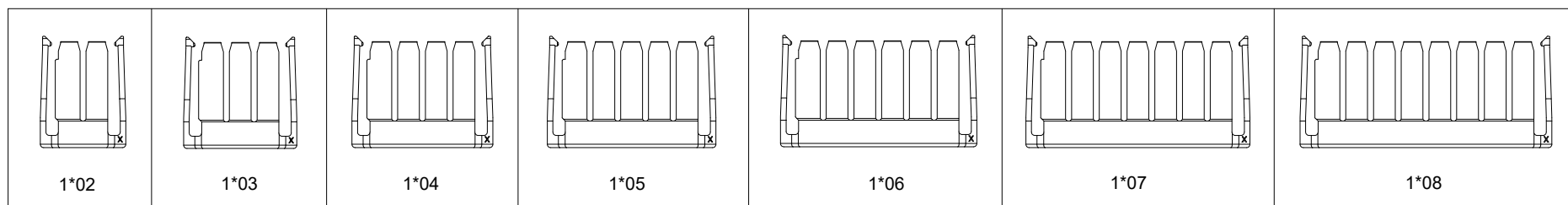
2514 C-1\*XX XX-XX


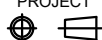
① ② ③ ④ ⑤

- ① Series No.
- ② Category: C-Cover
- ③ Row No.-Pin No.: 1\*XX-1\*02P~1\*08P
- ④ Color: BK-Black; WH-Natural
- ⑤ Material: 66-PA66 UL94V-0  
4T-PA4T+30%GF UL94V-0



Poles	Dimensions (mm)
	A
1*02	7.70
1*03	10.20
1*04	12.70
1*05	15.20
1*06	17.70
1*07	20.20
1*08	22.70



							GENERAL TOLERANCE	 <b>东莞市思量连接器有限公司</b> DONGGUAN ADZL CONNECTORS CO.,LTD.				PART NO. 2514C-1*XXXX-XX				
							.X ±0.40					TITLE 2.50mm Crimp Style Connectors				
							.XX ±0.25	APPROVAL	CHECK	DRAWN	DATA	UNIT mm		SCALE 1:1	NUMBER H-A0016	REV A
DATE	OLD REV	NEW REV	ECN	DESCRIPTION	CHECK	APPROVAL	PROJECT	Ken	Kevn	Sunny	2022/09/15					
																

F  
E  
D  
C  
B  
A

F  
E  
D  
C  
B  
A

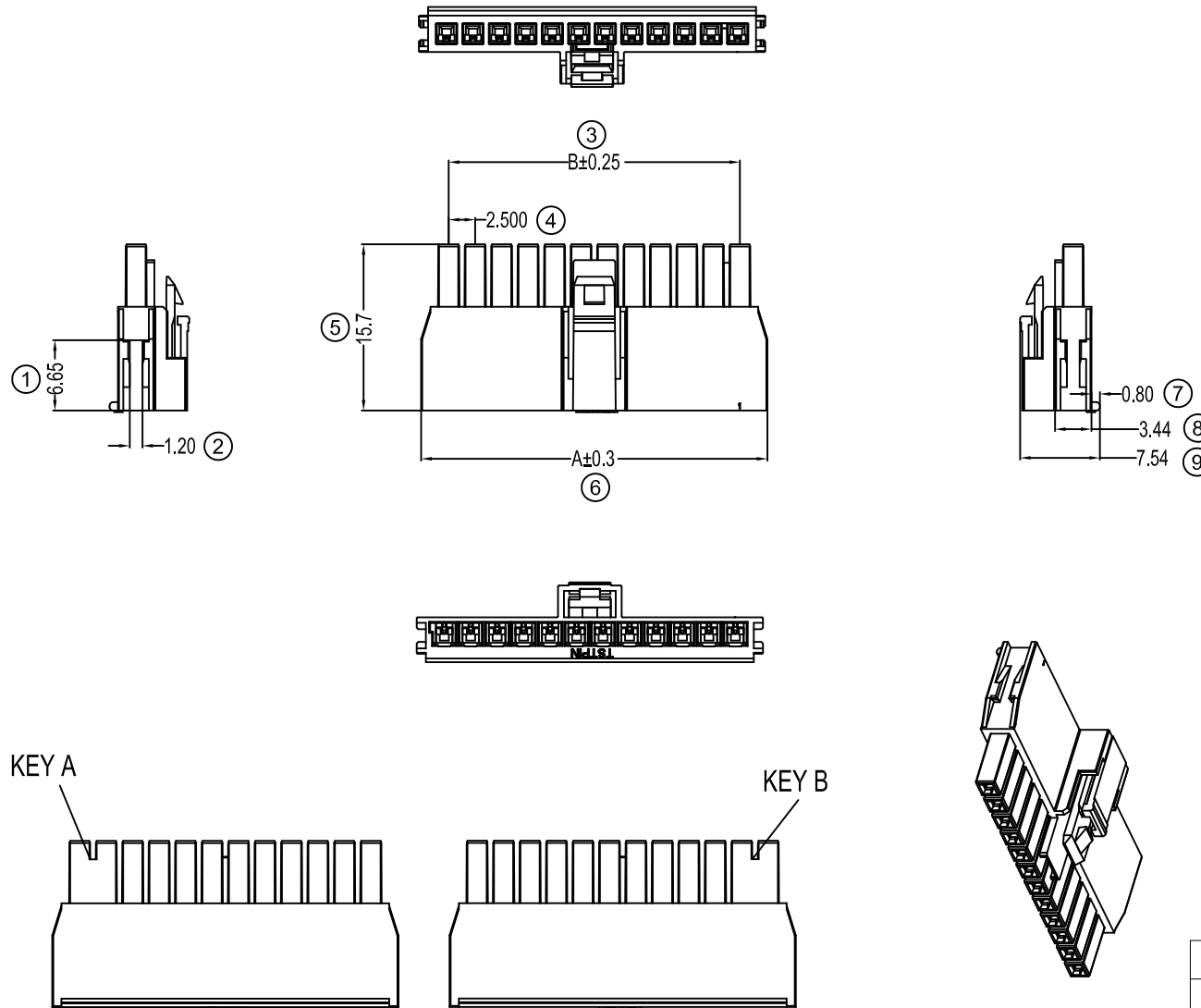
- Specifications :
- Voltage rating: 250V AC / DC
  - Current rating: 4A AC / DC
  - Withstanding voltage: 1000V AC/minute
  - Temperature range: -40°C~+105°C
  - Insulation resistance: ≥1000MΩ
  - Contact resistance: ≤30mΩ
  - After environmental testing: ≤50mΩ

2514 H X- XX X -46  
① ② ③ ④ ⑤ ⑥

- ① Series No.
- ② Category: H-HSG
- ③ Appearance type: Blank-Ordinary
- ④ Row No.-Pin No.: XX-02P~12P
- ⑤ Plug the Pin & special No.:  
A-KEY A, Color:Black  
B-KEY B, Color:Natural
- ⑥ Material: 46-PA46+30%GF UL94V-0

Poles	Dimensions (mm)	
	A	B
02	7.70	2.50
03	10.20	5.00
04	12.70	7.50
05	15.20	10.00
06	17.70	12.50
07	20.20	15.00
08	22.70	17.50
12	32.70	27.50

2514H-XXX-46	2514TX-XXXXX	2514C-XXXX-XX	2514WR-XXX-LPHSN
PART NO	Suitable ADZL Terminal	Suitable ADZL Cover	Mates With ADZL Wafer



GENERAL TOLERANCE  
.X ±0.40  
.XX ±0.25  
.XXX ±0.15

 东莞市思量连接器有限公司  
DONGGUAN ADZL CONNECTORS CO.,LTD.

PART NO. 2514H-XXX-46

TITLE 2.50mm Crimp Style Connectors

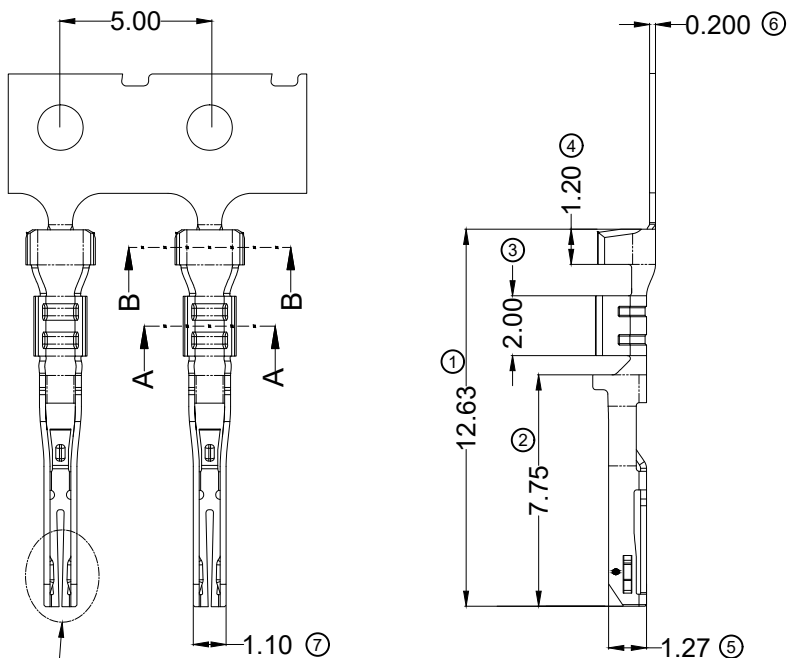
PROJECT 

APPROVAL	CHECK	DRAWN	DATA
Ken	Zhuwu	Allen	2020/08/08

UNIT	SCALE	NUMBER	REV
mm	1:1	8	

DATE	OLD REV	NEW REV	ECN	DESCRIPTION	CHECK	APPROVAL
1						

1 2 3 4 5 6 7 8



Specifications :

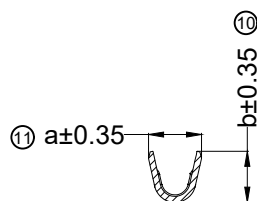
- Voltage rating: 250V AC / DC
- Current rating: 4A AC / DC
- Withstanding voltage: 1500V AC/minute
- Temperature range: -40°C~+105°C
- Insulation resistance: ≥1000MΩ
- Contact resistance: ≤30mΩ
- After environmental testing: ≤50mΩ
- Plated Nie 30U" Min and Tin 70u" Min
- Mates With ADZL Housing: 2514H-2\*XXX-46

2514 T X-X XXX

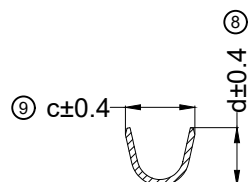
① ②③④ ⑤

- ① Series Number
- ② Category: T-terminal
- ③ Shape: H-high foot (20~22AWG);
- ④ Material: P-Phosphor Bronze;H-High conductive copper alloy
- ⑤ Plating style: SN-Bright tin plating  
G01-Gold flash for Contact area  
G15-15u" Au for Contact area  
G30-30u" Au for Contact area

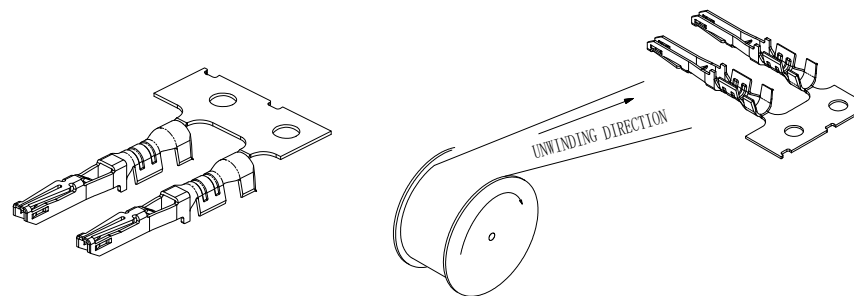
Part No.	Wire range	Dim.a	Dim.b	Dim.c	Dim.d
2514T-XXXX	24-26AWG	1.39	1.45	2.12	2.0
2514TH-XXXX	20-22AWG	1.8	1.85	2.33	1.94



SEC.A-A



SEC.B-B



DATE	OLD REV	NEW REV	ECN	DESCRIPTION	CHECK	APPROVAL
2022/9/15	A	B	/	增加镀层	Sunny	Ken

GENERAL TOLERANCE  
.X ±0.40  
.XX ±0.25  
.XXX ±0.15

PROJECT  


 东莞市思量连接器有限公司  
DONGGUAN ADZL CONNECTORS CO.,LTD.

APPROVAL	CHECK	DRAWN	DATA
Ken	Zhuwu	Allen	2018/05/08

PART NO. 2514T-XXXX			
TITLE 2.50mm Crimp Style Connectors			
UNIT mm	SCALE 1:1	NUMBER T-A0011	REV B