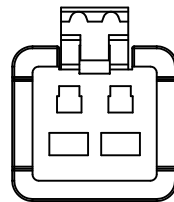
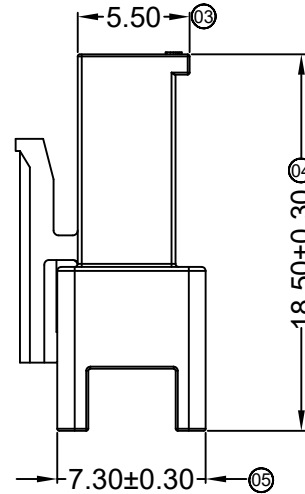
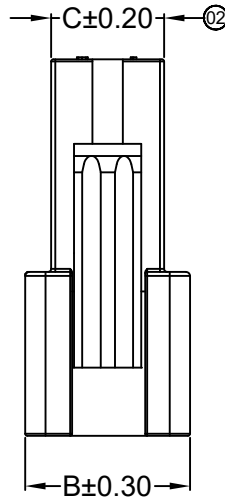
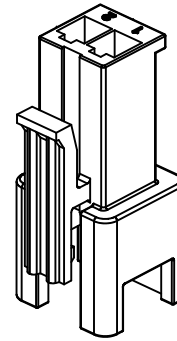
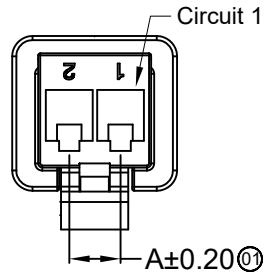


RoHS

WWW.ADZLCONN.COM

TEL:0769-82285488



■ Specifications :

- Voltage rating: 250V AC / DC
- Current rating: 3A AC / DC
- Withstanding voltage: 1500V AC/minute
- Temperature range: -25°C~+85°C
- Insulation resistance: ≥500MΩ
- Contact resistance: ≤10mΩ
- After environmental testing: ≤20mΩ

8854 H F-XX X-N0 XX

① ② ③ ④ ⑤ ⑥ ⑦

- ① Series No.
- ② Category: H-HSG
- ③ Appearance type: F-Female
- ④ Row No.-Pin No.: XX-Single Row
- ⑤ Plug the Pin & Special No. Blank-Ordinary
- ⑥ Material : N0-PA66 94V-0
- ⑦ Color: Blank -Black Color

Poles	Dimensions (mm)		
	A	B	C
02	2.50	8.00	5.50
03	5.00	10.50	8.00
04	7.50	13.00	10.50
05	10.00	15.50	13.00
06	12.50	18.00	15.50
07	15.00	20.50	18.00
08	17.50	23.00	20.50
09	20.00	25.50	23.00
10	22.50	28.00	25.50
11	25.00	30.50	28.00
12	27.50	33.00	30.50

8854HF-XX-N0	Nylon 66 UL 94V-0	8854TM	8854HM
PART NO	Material	Suitable ADZL Terminal	Mates With ADZL Housing

DATE	OLD REV	NEW REV	ECN	DESCRIPTION	CHECK	APPROVAL

GENERAL TOLERANCE
 .X ±0.30
 .XX ±0.20
 .XXX ±0.10



ADZL 东莞市思量连接器有限公司
 DONGGUAN ADZL CONNECTORS CO.,LTD.

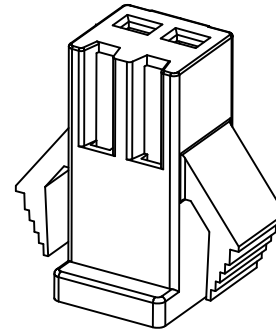
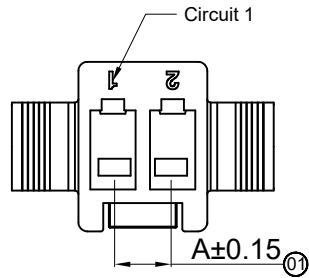
APPROVAL	CHECK	DRAWN	DATA
Ken	Zhao Hong	Allen	2017/05/03

PART NO. 8854HF-XX-N0			
TITLE 2.50mm Crimp Style Connector			
UNIT MM	SCALE 1:1	NUMBER	REV

RoHS

WWW.ADZLCONN.COM

TEL:0769-82285488



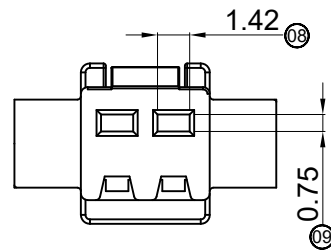
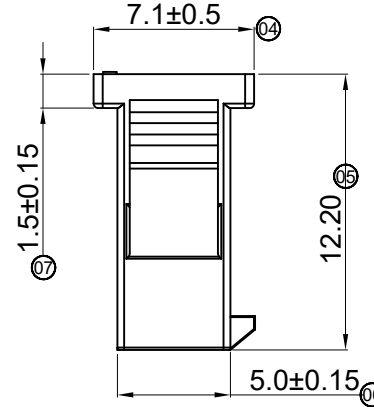
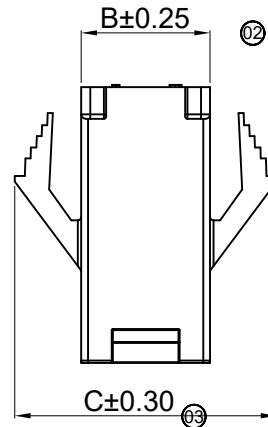
■ Specifications :

- Voltage rating: 250V AC / DC
- Current rating: 3A AC / DC
- Withstanding voltage: 1500V AC/minute
- Temperature range: -25°C~+85°C
- Insulation resistance: ≥500MΩ
- Contact resistance: ≤10mΩ
- After environmental testing: ≤20mΩ

8854 H M-XX X-N0 XX HF

① ② ③ ④ ⑤ ⑥ ⑦ ⑧

- ① Series No.
- ② Category: H-HSG
- ③ Appearance type: M-Male
- ④ Row No.-Pin No.: XX-Single Row
- ⑤ Plug the Pin & Special No.:
- ⑥ Material : N0-PA66 94V-0
- ⑦ Color: Blank-Black Color
- ⑧ HF-Halogen Free



Poles	Dimensions (mm)		
	A	B	C
02	2.50	5.65	11.60
03	5.00	8.15	14.10
04	7.50	10.65	16.60
05	10.00	13.15	19.10
06	12.50	15.65	21.60
07	15.00	18.15	24.10
08	17.50	20.65	26.60
09	20.00	23.15	29.10
10	22.50	25.65	31.60
11	25.00	28.15	34.10
12	27.50	30.65	36.60

8854HM-XX-N0	Nylon 66 UL 94V-0	8854TF	8854HF
8854HM-XX-N0HF	Nylon 66 UL 94V-0 Halogen Free	8854TF	8854HF
PART NO	Material	Suitable ADZL Terminal	Mates With ADZL Housing

DATE	OLD REV	NEW REV	ECN	DESCRIPTION	CHECK	APPROVAL

GENERAL TOLERANCE
 .X ±0.30
 .XX ±0.20
 .XXX ±0.10



ADZL 东莞市思量连接器有限公司
 DONGGUAN ADZL CONNECTORS CO.,LTD.

APPROVAL	CHECK	DRAWN	DATA
Ken	Zhao Hong	Allen	2017/05/03

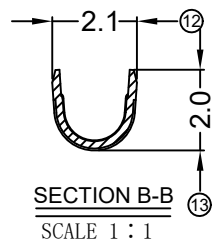
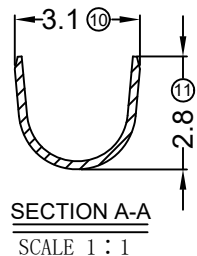
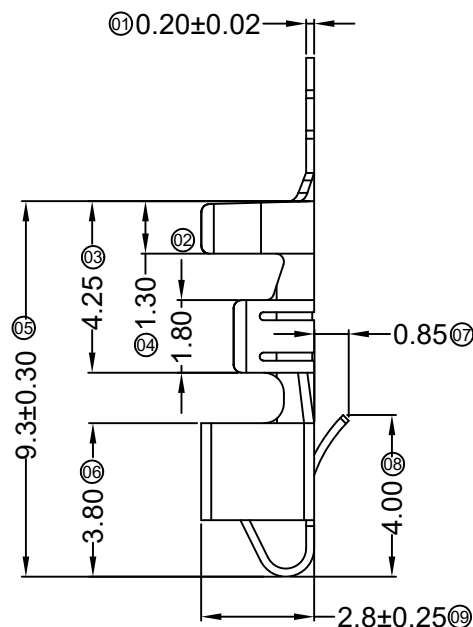
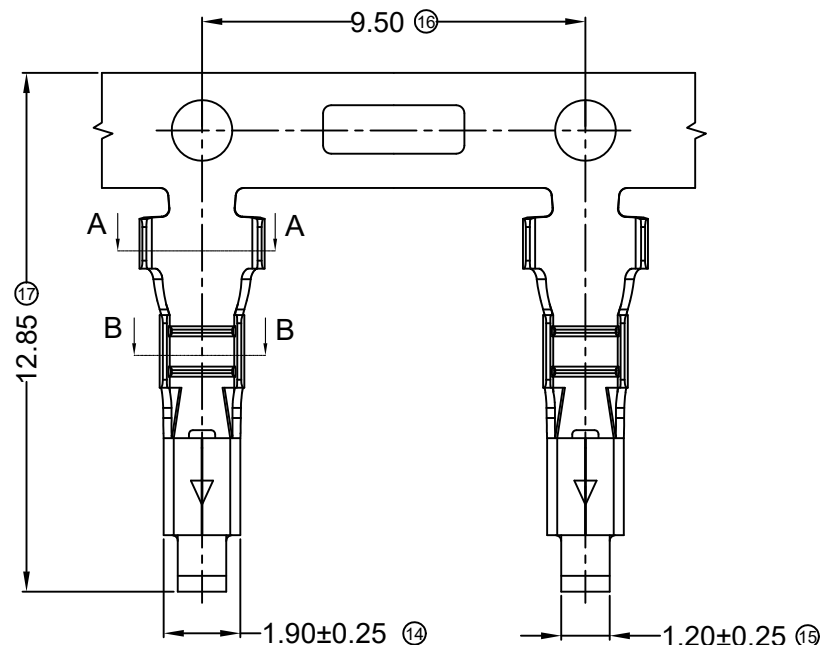
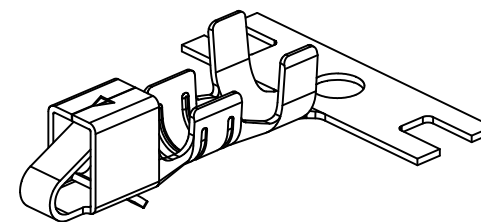
PART NO. 8854HM-XX-N0			
TITLE 2.5mm Crimp Style Connector			
UNIT MM	SCALE 1:1	NUMBER	REV

■ Specifications :

- Voltage rating: 250V AC / DC
- Current rating: 3A AC / DC
- Withstanding voltage: 1500V AC/minute
- Temperature range: -25°C~+85°C
- Insulation resistance: ≥500MΩ
- Contact resistance: ≤10mΩ
- After environmental testing: ≤20mΩ

8854 T F-P XXX X-X
① ② ③ ④ ⑤ ⑥ ⑦

- ① Series No.
- ② Category: T-Terminal
- ③ Appearance type: F-Female
- ④ Material: P-Phosphor bronze
- ⑤ Plating Style: SN-Bright Tin Plating
G01-Gold Flash Plated Contact
- ⑥ Plating Method :
Blank-Stamping before Plating
- ⑦ Mold No./Mark/Special No.



8854TF-PG01	Phosphor Bronze	AWG#22-28	1.50mm(Max)	Stamping Before Plating:30u" Ni;Gold Flash Plated Contact	8854HM
8854TF-PSN				Stamping Before Plating:30u" Ni;70u"Sn	
PART NO	Material	Wire Range	Insulation O.D.	Finish	Used In ADZL Housing

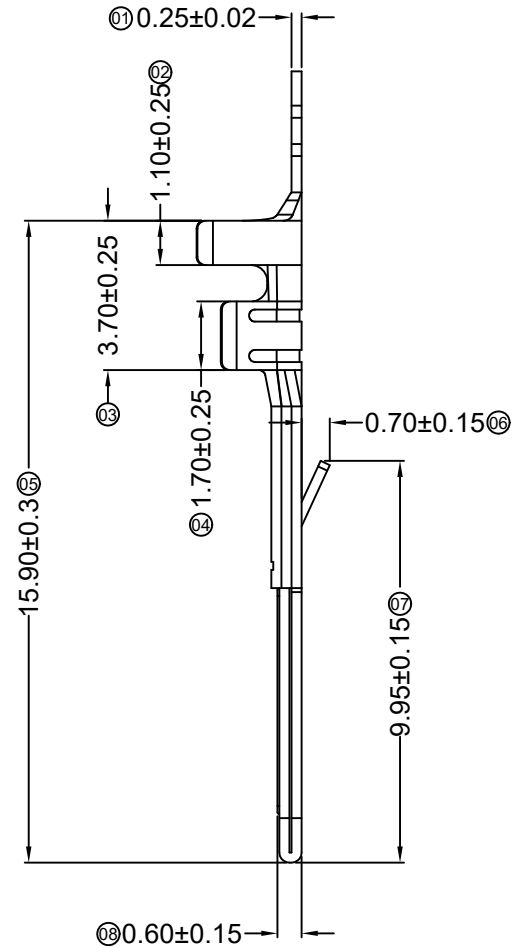
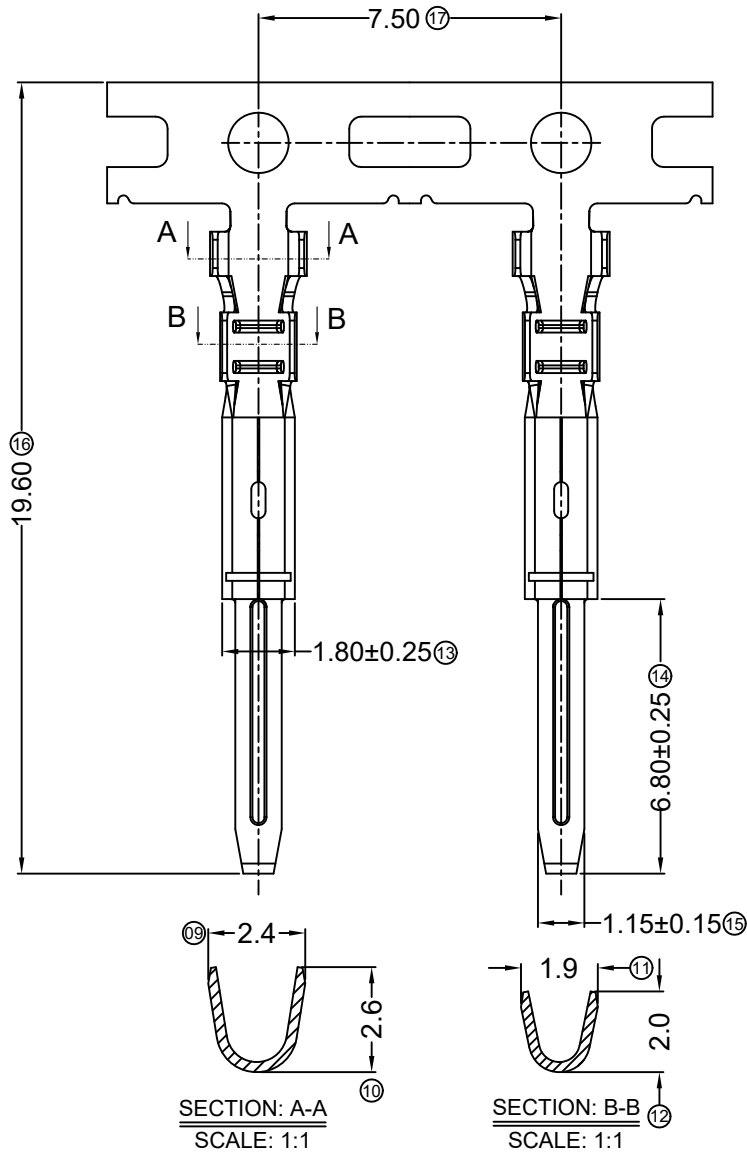
DATE	OLD REV	NEW REV	ECN	DESCRIPTION	CHECK	APPROVAL
------	---------	---------	-----	-------------	-------	----------

GENERAL TOLERANCE	
.X	±0.30
.XX	±0.20
.XXX	±0.10

 东莞市思量连接器有限公司
DONGGUAN ADZL CONNECTORS CO.,LTD.

APPROVAL	CHECK	DRAWN	DATA
Ken	Zhao Hong	Allen	2018/12/23

PART NO. 8854TF-PXX			
TITLE 2.50mm Crimp Style Connectors			
UNIT MM	SCALE 1 : 1	NUMBER	REV

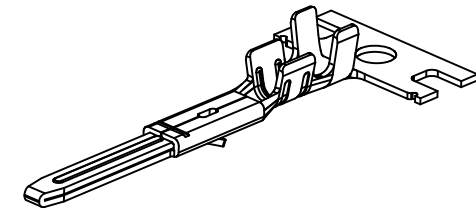


■ Specifications :

- Voltage rating: 250V AC / DC
- Current rating: 3A AC / DC
- Withstanding voltage: 1500V AC/minute
- Temperature range: -25°C~+85°C
- Insulation resistance: ≥500MΩ
- Contact resistance: ≤10mΩ
- After environmental testing: ≤20mΩ

8854 T M-P XXX X-X
① ② ③ ④ ⑤ ⑥ ⑦

- ① Series No.
- ② Category: T-Terminal
- ③ Appearance type: M-Male
- ④ Material: P-Phosphor bronze
- ⑤ Plating Style: SN-Bright Tin Plating
G01-Gold Flash Plated Contact
- ⑥ Plating Method :
Blank-Stamping before Plating
- ⑦ Mold No./Mark/Special No.



8854TM-PG01	Phosphor Bronze	AWG#22-28	1.50mm(Max)	Stamping Before Plating:30u" Ni; Gold Flash Plated Contact	8854HF
8854TM-PSN				Stamping Before Plating:30u" Ni;70u"Sn	
PART NO	Material	Wire Range	Insulation O.D.	Finish	Used In ADZL Housing

DATE	OLD REV	NEW REV	ECN	DESCRIPTION	CHECK	APPROVAL

GENERAL TOLERANCE	
.X	±0.30
.XX	±0.20
.XXX	±0.10
PROJECT	

ADZL 东莞市思量连接器有限公司
DONGGUAN ADZL CONNECTORS CO.,LTD.

APPROVAL	CHECK	DRAWN	DATA
Ken	Zhao Hong	Allen	2018/01/16

PART NO. 8854TM-PXXX			
TITLE 2.5mm Crimp Style Connectors			
UNIT MM	SCALE 1:1	NUMBER	REV