

Poles	Dimensions/mm				Poles	Dimensions/mm			
	A	B	C	D		A	B	C	D
2	5.65	4.20	2.50	7.30	10	25.65	24.20	22.50	27.30
3	8.15	5.80	5.00	9.80	11	28.15	26.70	25.00	29.80
4	10.65	9.60	7.50	12.30	12	30.65	29.20	27.50	32.30
5	13.15	11.70	10.00	14.80	13	33.15	31.70	30.00	34.80
6	15.65	14.20	12.50	17.30	14	35.65	34.20	32.50	37.30
7	18.15	16.70	15.00	19.80	15	38.15	36.70	35.00	39.80
8	20.65	19.20	17.50	22.30	16	40.65	39.20	37.50	42.30
9	23.15	21.70	20.00	24.80	17	43.15	41.70	40.00	44.80
					18	45.65	44.20	42.50	47.30

■ Specifications

- Voltage Rating:50V AC/DC
- Withstanding Voltage:1000V AC/Minute
- Temperature Range:-40°C~+125°C
- Insulation Resistance:100MΩ Min./500V DC/Minute
- Mates With ADZL Terminal:A2513TX-XXX
- Mates With ADZL TPA:CA2513-XX
- Mates With ADZL Wafer:2508WX-XX
- Product Specification:PS-A2513-02
- Packaging Drawing:PK-A2513H-XX-N0HFNC

A2513 H-XX -NOHF NC

① ② ③ ④ ⑤

- ① Series No.:A2513
- ② Connector Type:H-Housing
- ③ Row No.-Pin No:XX-Single Row 02~15Pin&18Pin
- ④ Plastic Material:NO-PA66 (UL94-V0)  
HF-Halogen Free
- ⑤ Color:NC- Natural

DATE	REV	ECN NO.	DESCRIPTION	MODIFY	APPROVAL
1					
2					
3					
4					

GENERAL TOLERANCE	
.X	±0.35
.XX	±0.25
.XXX	±0.15
X.°	±2°
PROJECT	

**ADZL** 东莞市思量连接器有限公司  
DONGGUAN ADZL CONNECTORS CO.,LTD.

APPROVAL	CHECK	DRAWN	DATE
Ken	Zhao Hong	Allen	2021/06/08

PART NO. A2513H-XX-N0HFNC				
TITLE 2.50 WTB CONN. Housing				
UNIT	SCALE	SHEET	REV	NUMBER
mm	2:1	1/1		

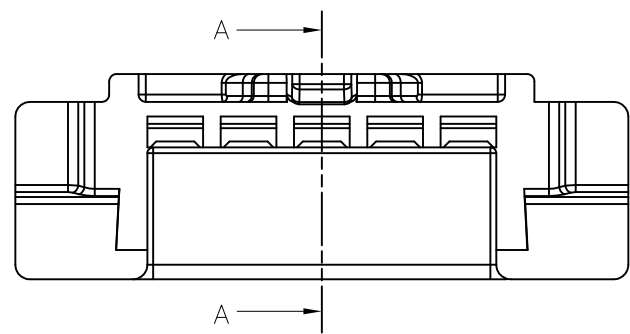
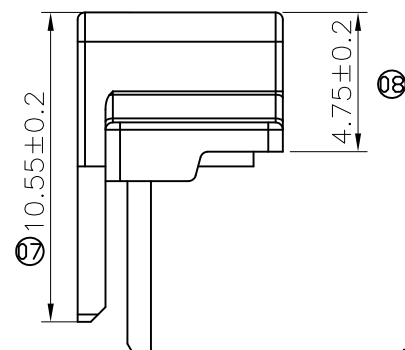
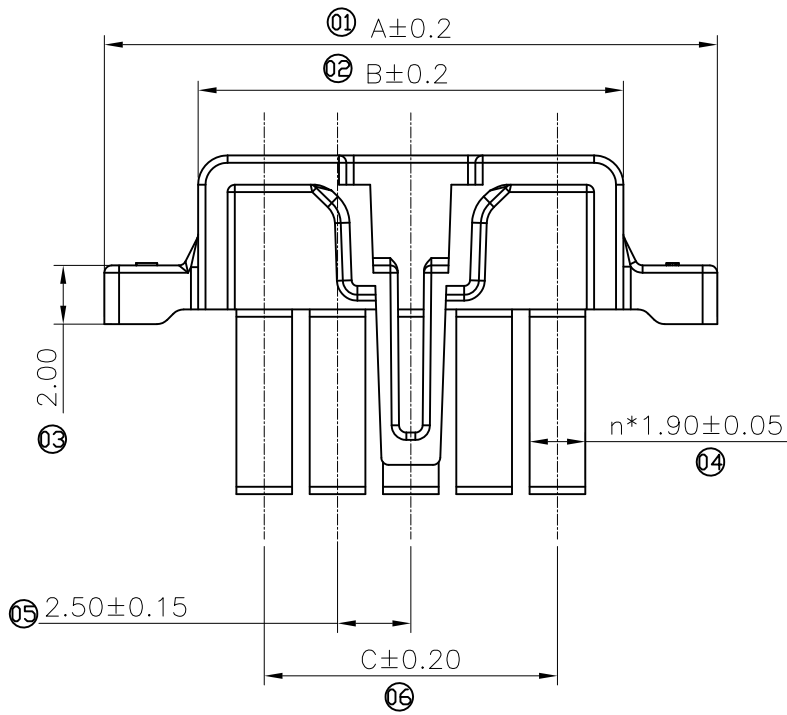
RoHS

WWW.ADZLCONN.COM

TEL:0769-82285488

F  
E  
D  
C  
B  
A

F  
E  
D  
C  
B  
A



■ Specifications :

- Voltage rating: 50V AC / DC
- Withstanding voltage: 1000V AC/minute
- Temperature range: -40°C~+125°C
- Insulation Resistance:100MΩ Min./500V DC/Minute
- Symbols for SPC Dimensions:★
- Mates With ADZL Housing: 2513H

A2513 C - XX X - N0 HF NC  
① ② ③ ④ ⑤ ⑥ ⑦

- ① Series No.
- ② Connector Type: C-TPA
- ③ Row No.-Pin No: XX-Single Row XXPin
- ④ Special NO.: Blank-with SWB LOGO  
A-Coding A without LOGO
- ⑤ Plastic Material: N0-PA66 UL94V-0
- ⑥ HF-Halogen-free
- ⑦ Color: NC-Natural

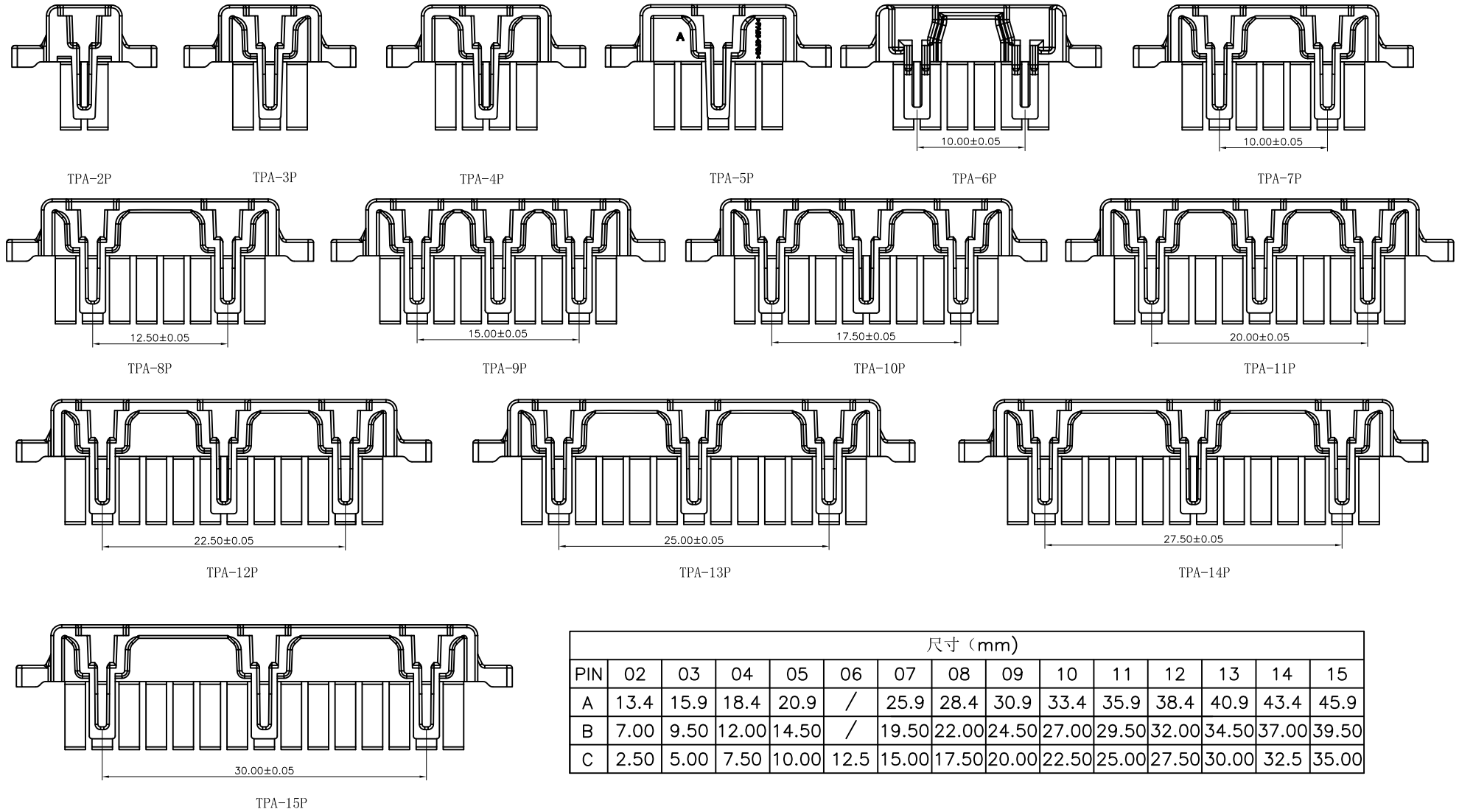
					GENERAL TOLERANCE .X ±0.35 .XX ±0.25 .XXX ±0.15 X.° ±2°				东莞市思量连接器有限公司 DONGGUAN ADZL CONNECTORS CO.,LTD.				PART NO. A2513C-XXX-N0HFNC												
					APPROVAL Ken				CHECK Zhao Hong				DRAWN Allen				DATE 2023/05/26				TITLE 2.50mm Crimp Style Connectors TPA				
DATE	REV	ECN ON.	DESCRIPTION	MODIFY	APPROVAL	PROJECT	UNIT		SCALE	SHEET	REV	NUMBER	UNIT		SCALE	SHEET	REV	NUMBER							
1						① ②	mm		2:1	1/3	A	A-000	mm		2:1	1/3	A	A-000							

1 2 3 4 5 6 7 8

RoHS

WWW.ADZLCONN.COM

TEL:0769-82285488



尺寸 (mm)														
PIN	02	03	04	05	06	07	08	09	10	11	12	13	14	15
A	13.4	15.9	18.4	20.9	/	25.9	28.4	30.9	33.4	35.9	38.4	40.9	43.4	45.9
B	7.00	9.50	12.00	14.50	/	19.50	22.00	24.50	27.00	29.50	32.00	34.50	37.00	39.50
C	2.50	5.00	7.50	10.00	12.5	15.00	17.50	20.00	22.50	25.00	27.50	30.00	32.5	35.00

					GENERAL TOLERANCE .X ±0.35 .XX ±0.25 .XXX ±0.15 X.° ±2°				东莞市思量连接器有限公司 DONGGUAN ADZL CONNECTORS CO.,LTD.				PART NO. A2513C-XXX-N0HFNC								
					APPROVAL Ken				CHECK Zhao Hong				DRAWN Allen				DATE 2023/05/26				
					PROJECT 												TITLE 2.50mm Crimp Style Connectors TPA				
DATE	REV	ECN ON.	DESCRIPTION	MODIFY	APPROVAL	UNIT		SCALE		SHEET		REV		NUMBER							
1	2	3	4	5	6	7	8	9	10	11	12	13	14	15	16	17	18	19	20		

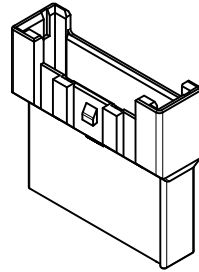
RoHS

WWW.ADZLCONN.COM

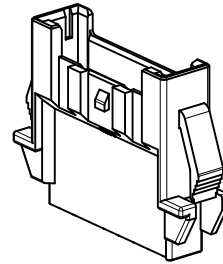
TEL:0769-82285488

A2513HF-XX-N0HFNC

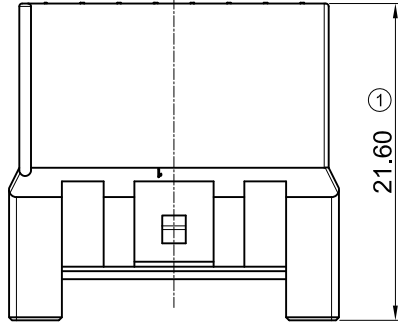
A2513HF-XXA-N0HFNC



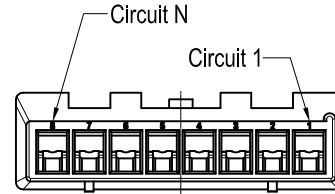
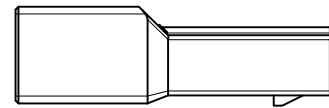
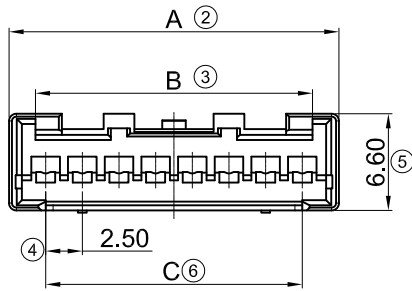
Normal



With Wing Buckle



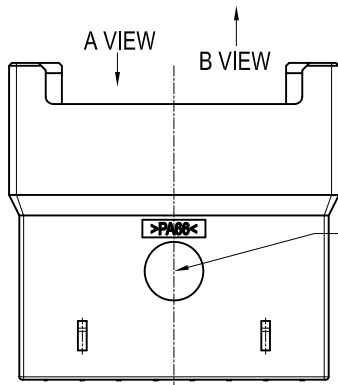
21.60 (1)



- Specifications :
- Voltage rating: 50V Max. AC/DC
  - Withstanding voltage: 1000V AC/minute
  - Temperature range: -40°C~+125°C
  - Insulation resistance: 100MΩ min./500V DC/Minute
  - Mates With ADZL Terminal: A2513TXM-XXX
  - Mates With ADZL TPA: CA2513-XX
  - Mates With ADZL HSG: A2513H-XX
  - Symbols for SPC dimensions: " ★ "
  - Product Specification: PS-A2513-03
  - Packaging Drawing: PK-A2513HF-XXX-N0HFNC

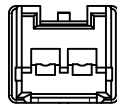
Note:

1.A2513HF-02A-N0HFNC without Date Code

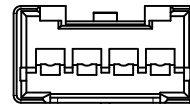


Date Code see Note 1

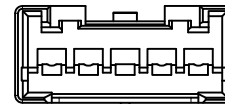
A VIEW



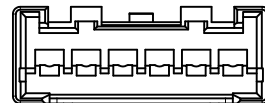
02-03Pin



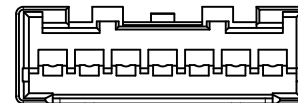
04PIN



05PIN



06PIN



07-15PIN

A2513 H F - XX X - N0HF NC

(1) (2)(3) (4) (5) (6) (7)

- (1) Series No.: A2513
- (2) Category: H-Housing
- (3) Connector Type: F-Female
- (4) Row No.-Pin No: XX-Single Row 02~15Pin
- (5) Special No.: Blank-Normal; A-With Wing Buckle
- (6) Plastic material: N0-PA66 UL94V-0  
HF-Halogen Free
- (7) Color: NC-Natural

					<p>GENERAL TOLERANCE</p> <p>.X ±0.35</p> <p>.XX ±0.25</p> <p>.XXX ±0.15</p> <p>X.° ±2°</p>				<p>APPROVAL</p> <p>Ken</p>				<p>CHECK</p> <p>Zhao Hong</p>				<p>DRAWN</p> <p>Allen</p>				<p>DATE</p> <p>2023/05/26</p>																																											
					<p>PROJECT</p>				<p>APPROVAL</p>				<p>CHECK</p>				<p>DRAWN</p>				<p>DATE</p>																																											
DATE					REV					ECN NO.					DESCRIPTION					MODIFY					APPROVAL					PART NO.					TITLE																													
1					2					3					4					5					6					7					8					A2513HF-XXX-N0HFNC					2.50mm Crimp Style Connectors																			
mm					SCALE					SHEET					REV					NUMBER					UNIT					SCALE					SHEET					REV					NUMBER																			
1					2					3					4					5					6					7					8					mm					2:1					1/2														

ADZL 东莞市思量连接器有限公司  
DONGGUAN ADZL CONNECTORS CO.,LTD.

PART NO.  
A2513HF-XXX-N0HFNC

TITLE 2.50mm Crimp Style Connectors

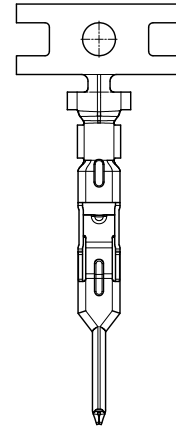
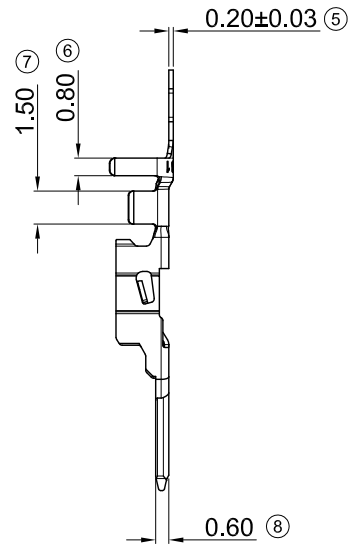
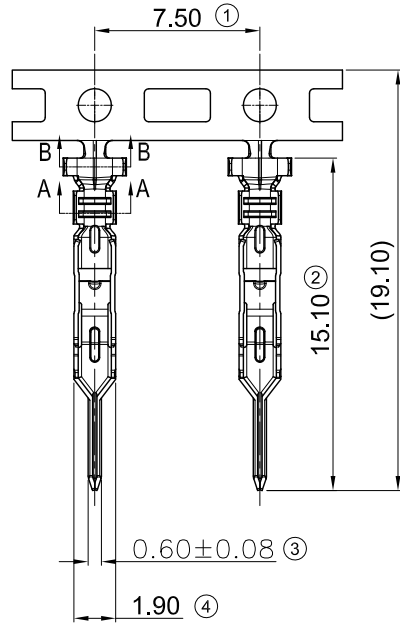
UNIT mm SCALE 2:1 SHEET 1/2 REV NUMBER



RoHS

WWW.ADZLCONN.COM

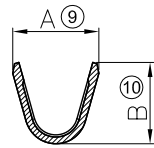
TEL:0769-82285488



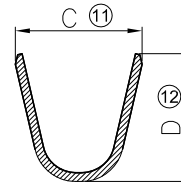
- Specifications:
- Current Rating:3A AC/DC(0.35~0.50mm<sup>2</sup> Wire)
  - Temperature Range:-40°C~+125°C
  - Contact Resistance:≤10mΩ(Initial)  
≤20mΩ(After Testing)
  - Mates With ADZL Housing:A2513HF-XX
  - Mates With ADZL Terminal:A2513T-XXX
  - Packaging Drawing:PK-A2513TXM-PSN1
  - Product Specification:PS-A2513-03
  - Symbols for SPC Dimensions:"★"

**A2513 T X M-P SN1**  
 (1) (2) (3) (4) (5) (6)

- ① Series No.:A2513
- ② Category:T-Terminal
- ③ Shape: Blank-Common Feet ;  
H-High Feet ; L-Low Feet
- ④ Connector Type:M-Male terminal
- ⑤ Material:P-Phosphorous Bronze
- ⑥ Plating Code:  
SN1-Underplate Ni 40~120u"(1~3um) ;  
Top Plating Sn 80~200u"(2~5um)

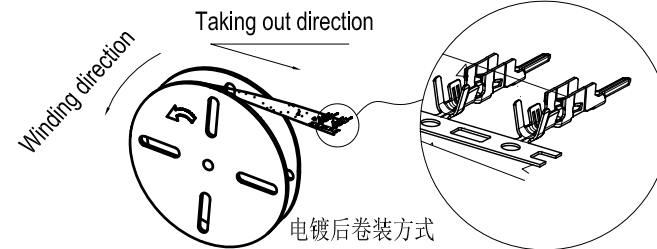


SECTION A-A  
SCALE 6:1



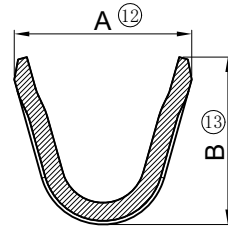
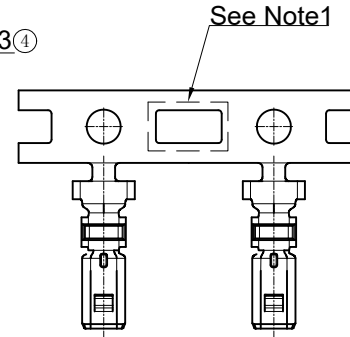
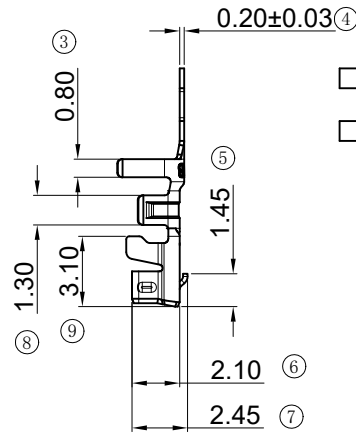
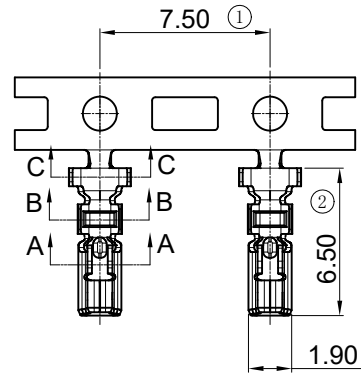
SECTION B-B  
SCALE 6:1

A2513TLM-PSN1	AWG#28~26(0.08~0.13mm <sup>2</sup> )	1.20mm Max	1.31	1.30	1.77	2.00
A2513TM-PSN1	AWG#24~22(0.22~0.35mm <sup>2</sup> )	1.30mm Max	1.72	1.60	2.20	2.60
A2513THM-PSN1	AWG#22~20(0.35~0.50mm <sup>2</sup> )	1.60mm Max	1.96	1.84	2.88	2.90
Part NO.	Wire Range	Insulation O.D.	Dim. A	Dim. B	Dim. C	Dim. D

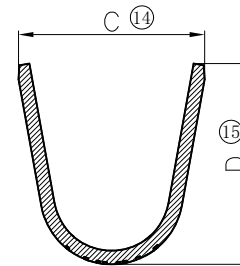


						GENERAL TOLERANCE	PART NO. A2513TXM-PSN1								
						.X ±0.35	TITLE 2.50mm Terminal								
						.XX ±0.25	APPROVAL	CHECK	DRAWN	DATE	UNIT	SCALE	SHEET	REV	NUMBER
						.XXX ±0.15	Ken	Zhao Hong	Allen	2023/05/26	mm	3:1	1/1	X0	A-000
						X.° ±2°									
DATE	REV	ECN NO.	DESCRIPTION	MODIFY	APPROVAL	PROJECT									

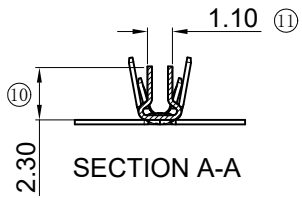
**ADZL** 东莞市思量连接器有限公司  
DONGGUAN ADZL CONNECTORS CO.,LTD.



SECTION B-B  
SCALE 12:1



SECTION C-C  
SCALE 9:1



SECTION A-A

Specifications:

- Current Rating: 2A AC/DC(0.13mm<sup>2</sup> Wire)  
2.5A AC/DC(0.22mm<sup>2</sup> Wire)  
3A AC/DC(0.35mm<sup>2</sup>~0.5mm<sup>2</sup> Wire)
- Temperature Range:  
-40°C~+105°C(Phosphor Bronze)  
-40°C~+125°C(High conductivity copper)
- Contact Resistance:≤10mΩ (Initial)  
≤20mΩ (After Testing)
- Mates With ADZL Housing:A2513H-XX
- Packaging Drawing:PK-A2513TX-XXX
- Product Specification:PS-A2513-01 or PS-A2513-02

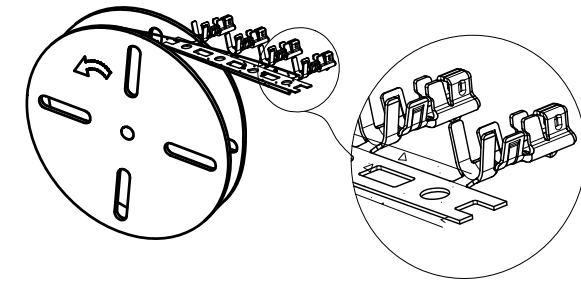
Note: 1.Material Mark:

"○" Represent C7025

"□" Represent Phosphor Bronze

A2513 T X - X X X  
① ② ③ ④ ⑤ ⑥

- ① Series No.:A2513
- ② Category:T-Terminal
- ③ Shape:L-Low Feet ; H-High Feet
- ④ Material:P-Phosphor Bronze; H-High conductivity copper
- ⑤ Plating Code:  
SN1-Underplate Ni 40~120u"(1~3um) ;  
Top Plating Sn 80~200u"(2~5um)  
GN01-Underplate Ni 40~120u"(1~3um) ;  
Area 1 Plating Au 1U"(0.025um)Min
- ⑥ Plating Process: Blank-Stamping Before Plating



A2513TH-HSN1	AWG#22~20 (0.35~0.5mm <sup>2</sup> )	Ø1.60mm Max	1.96	1.84	2.75	2.95
A2513TH-PGN01						
A2513TH-PSN1						
A2513TL-HSN1	AWG#26~22 (0.13~0.35mm <sup>2</sup> )		1.90	1.50	2.75	2.95
Part NO.	Wire Range	Insulation O.D.	Dim.A	Dim.B	Dim.C	Dim.D

DATE	REV	ECN NO.	DESCRIPTION	MODIFY	APPROVAL
1		2	3	4	5

GENERAL TOLERANCE
.X ±0.35
.XX ±0.25
.XXX ±0.15
X.° ±2°
PROJECT

**ADZL** 东莞市思量连接器有限公司  
DONGGUAN ADZL CONNECTORS CO.,LTD.

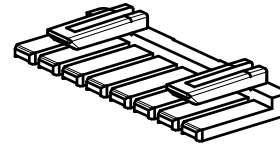
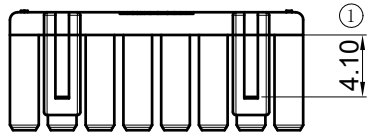
APPROVAL	CHECK	DRAWN	DATE
Ken	Zhao Hong	Allen	2021/06/08

PART NO. A2513TX-XXX				
TITLE 2.50 WTB CONN. Terminal				
UNIT	SCALE	SHEET	REV	NUMBER
mm	3:1	1/1		

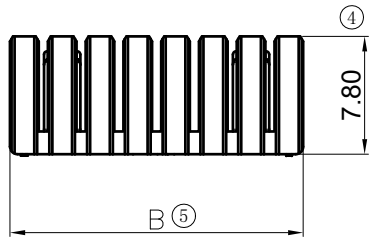
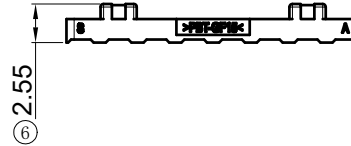
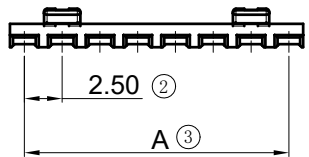
RoHS

WWW.ADZLCONN.COM

TEL:0769-82285488



A VIEW



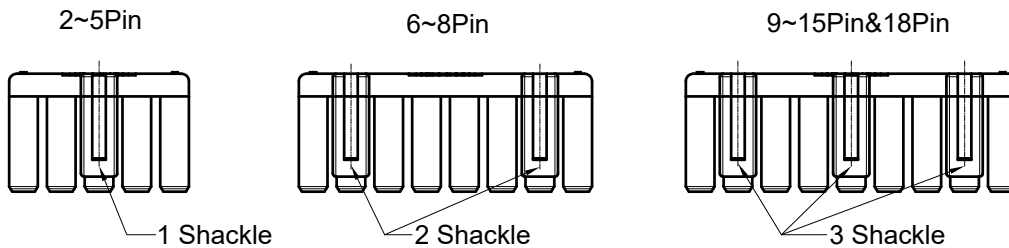
Specifications

- Voltage Rating:50V AC/DC
- Withstanding Voltage:1000V AC/Minute
- Temperature Range:-40°C~+125°C
- Insulation Resistance:100MΩ Min./500V DC/Minute
- Mates With ADZL Housing:2513H-XX
- Packaging Drawing:PK-C2513-XX-PTNC

C A2513 XX - PT NC

① ② ③ ④ ⑤

- ① Connector Type:C-TPA
- ② Series No.:A2513
- ③ Row No.-Pin No:XX-Single Row 02~15Pin&18Pin
- ④ Plastic Material:PT-PBT-GF(UL94V-0)
- ⑤ Color:NC-Natural



A VIEW

Poles	Dimensions/mm		Poles	Dimensions/mm	
	A	B		A	B
2	2.50	4.40	10	22.50	24.40
3	5.00	6.90	11	25.00	26.90
4	7.50	9.40	12	27.50	29.40
5	10.00	11.90	13	30.00	31.90
6	12.50	14.40	14	32.50	34.40
7	15.00	16.90	15	35.00	36.90
8	17.50	19.40	18	42.50	44.40
9	20.00	21.90			

DATE	REV	ECN NO.	DESCRIPTION	MODIFY	APPROVAL
1					
2					
3					
4					

GENERAL TOLERANCE	.X ±0.35
	.XX ±0.25
	.XXX ±0.15
	X.° ±2°
PROJECT	

**ADZL** 东莞市思量连接器有限公司  
DONGGUAN ADZL CONNECTORS CO.,LTD.

APPROVAL	CHECK	DRAWN	DATE
Ken	Zhao Hong	Allen	2021/06/08

PART NO. CA2513-XX-PTNC				
TITLE 2.50 WTB CONN. TPA				
UNIT	SCALE	SHEET	REV	NUMBER
mm	2:1	1/1		