

Recommended P.C.B Layout
General Tolerance±0.05

■ Specifications :

- Voltage rating: 250V AC / DC
- Current rating: 3A AC / DC
- Withstanding voltage: 1000V AC/minute
- Temperature range: -25°C~+85°C
- Insulation resistance: ≥1000MΩ
- Contact resistance: ≤20mΩ
- After environmental testing: ≤30mΩ

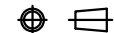
2564 W V X-XX X -N0 SN XX
① ② ③ ④ ⑤ ⑥ ⑦ ⑧ ⑨

- ① Series No.
- ② Category: W-WAFER
- ③ Welding Board Angle: V-180°
- ④ Welding Way: Blank-DIP
- ⑤ Row No.-Pin No.: XX-Single Row
- ⑥ Plug the Pin & Special No.
- ⑦ Material: N0 -PA66 94V-0
- ⑧ Plating Category: SN-Bright Tin Plating
- ⑨ Color : Blank-Natural Color

Poles	Dimensions (mm)		Poles	Dimensions (mm)	
	A	B		A	B
02	2.50	7.50	10	22.50	27.50
03	5.00	10.00	11	25.00	30.00
04	7.50	12.50	12	27.50	32.50
05	10.00	15.00	13	30.00	35.00
06	12.50	17.50	14	32.50	37.50
07	15.00	20.00	15	35.00	40.00
08	17.50	22.50	16	37.50	42.50
09	20.00	25.00			

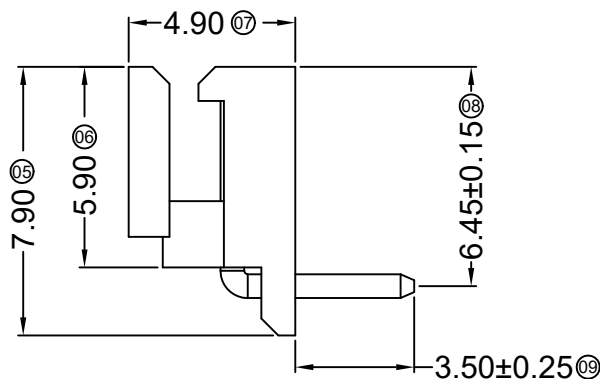
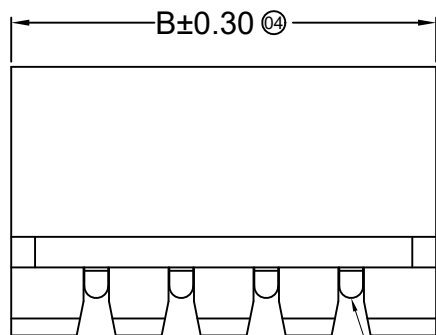
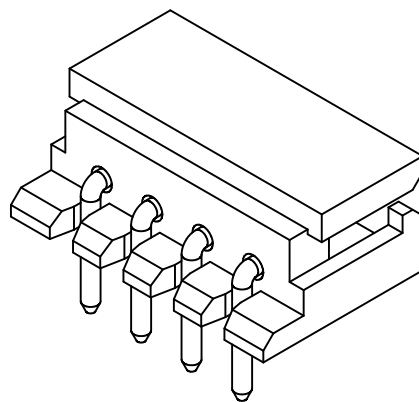
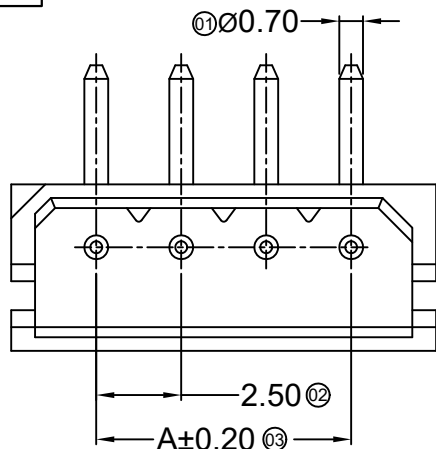
2564WV-XX-N0SN	Nylon 66 UL 94V-0	Brass	Tin-Plated	2564H
PART N0	Material	Material(Pin)	Finish(Pin)	Mates With ADZL Housing

DATE	OLD REV	NEW REV	ECN	DESCRIPTION	CHECK	APPROVAL

GENERAL TOLERANCE	
.X	±0.30
.XX	±0.20
.XXX	±0.10
PROJECT	

 东莞市思量连接器有限公司 DONGGUAN ADZL CONNECTORS CO.,LTD.			
APPROVAL	CHECK	DRAWN	DATA
Ken	Zhao Hong	Allen	2012/09/27

PART NO. 2564WV-XX-N0SN			
TITLE 2.50mm Crimp Style Connectors			
UNIT MM	SCALE 1:1	NUMBER	REV



Circuit 1



Recommended P.C.B Layout
General Tolerance ± 0.05

■ Specifications :

- Voltage rating: 250V AC / DC
- Current rating: 3A AC / DC
- Withstanding voltage: 1000V AC/minute
- Temperature range: -25°C~+85°C
- Insulation resistance: $\geq 1000M\Omega$
- Contact resistance: $\leq 20m\Omega$
- After environmental testing: $\leq 30m\Omega$

2564 W R X-XX X -N0 SN XX
① ② ③ ④ ⑤ ⑥ ⑦ ⑧ ⑨

- ① Series No.
- ② Category: W-WAFER
- ③ Welding Board Angle: R-90°
- ④ Welding Way: Blank-DIP
- ⑤ Row No.-Pin No.: XX-Single Row
- ⑥ Plug the Pin & Special No.
- ⑦ Material: N0 -PA66 94V-0
- ⑧ Plating Category: SN-Bright Tin Plating
- ⑨ Color : Blank-Beige Color
WH-White Color


Poles	Dimensions (mm)		Poles	Dimensions (mm)	
	A	B		A	B
02	2.50	7.50	10	22.50	27.50
03	5.00	10.00	11	25.00	30.00
04	7.50	12.50	12	27.50	32.50
05	10.00	15.00	13	30.00	35.00
06	12.50	17.50	14	32.50	37.50
07	15.00	20.00	15	35.00	40.00
08	17.50	22.50	16	37.50	42.50
09	20.00	25.00			

2564WR-XX-N0SNWH	Nylon 66 UL 94V-0 (White Color)	Brass	Tin-Plated	2564H
2564WR-XX-N0SN	Nylon 66 UL 94V-0 (Beige Color)			
PART NO	Material	Material(Pin)	Finish(Pin)	Mates With ADZL Housing

DATE	OLD REV	NEW REV	ECN	DESCRIPTION	CHECK	APPROVAL

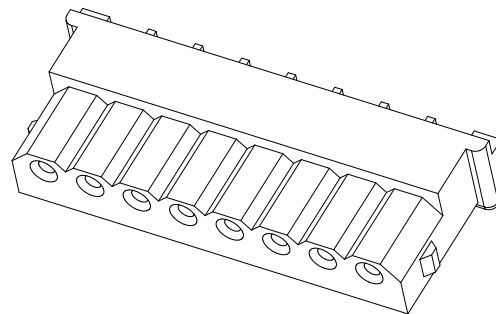
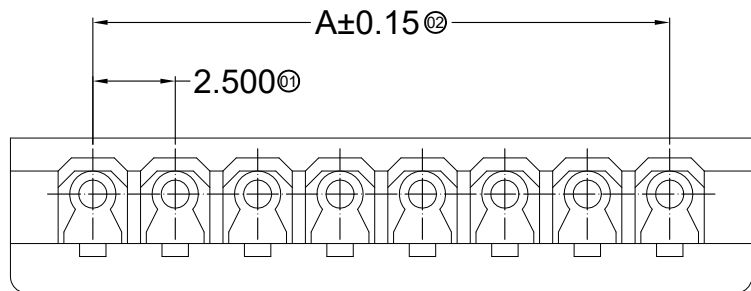
GENERAL TOLERANCE
.X ± 0.30
.XX ± 0.20
.XXX ± 0.10

PROJECT


 东莞市思量连接器有限公司
DONGGUAN ADZL CONNECTORS CO.,LTD.

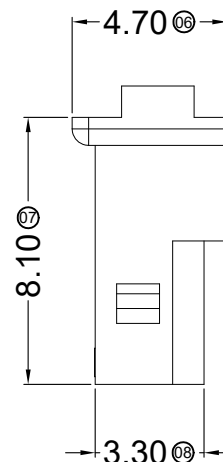
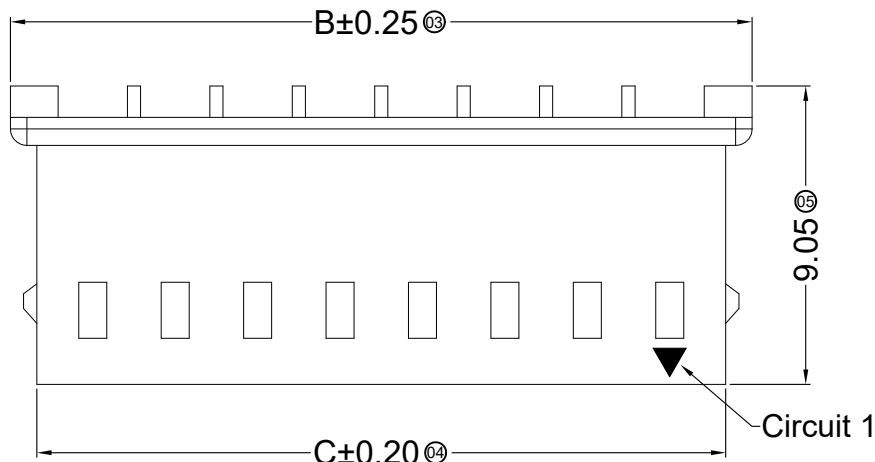
APPROVAL	CHECK	DRAWN	DATA
Ken	Zhao Hong	Allen	2017/09/27

PART NO. 2564WR-XX-N0SN			
TITLE 2.50mm Crimp Style Connectors			
UNIT MM	SCALE 1:1	NUMBER	REV



■ Specifications :

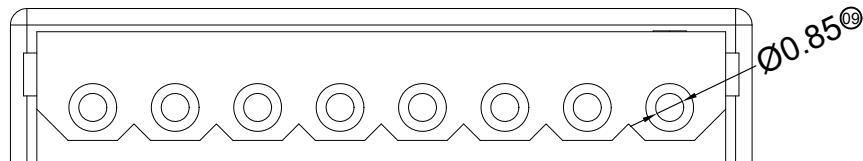
- Voltage rating: 250V AC / DC
- Current rating: 3A AC / DC
- Withstanding voltage: 1000V AC/minute
- Temperature range: -25°C~+85°C
- Insulation resistance: $\geq 1000M\Omega$
- Contact resistance: $\leq 20m\Omega$
- After environmental testing: $\leq 30m\Omega$



2564 H X-XX X-N0 XX
① ②③ ④ ⑤ ⑥ ⑦



- ① Series No.
- ② Category: H-HSG
- ③ Appearance type: Blank-Ordinary
- ④ Row No.-Pin No.: XX-02P~16P
- ⑤ Plug the Pin & special No.: Blank-Ordinary
- ⑥ Material: N0-PA66 94V-0
- ⑦ HF-Halogen Free

Poles	Dimensions (mm)			Poles	Dimensions (mm)		
	A	B	C		A	B	C
02	2.50	7.50	5.90	10	22.50	27.50	25.90
03	5.00	10.00	8.40	11	25.00	30.00	28.40
04	7.50	12.50	10.90	12	27.50	32.50	30.90
05	10.00	15.00	13.40	13	30.00	35.00	33.40
06	12.50	17.50	15.90	14	32.50	37.50	35.90
07	15.00	20.00	18.40	15	35.00	40.00	38.40
08	17.50	22.50	20.90	16	37.50	42.50	40.90
09	20.00	25.00	23.40				



2564H-XX-N0HF	PA66 UL 94V-0 Halogen Free	2564T	2564W
2564H-XX-N0	PA66 UL 94V-0		
PART NO	Material	Suitable ADZL Terminal	Mates With ADZL Wafer

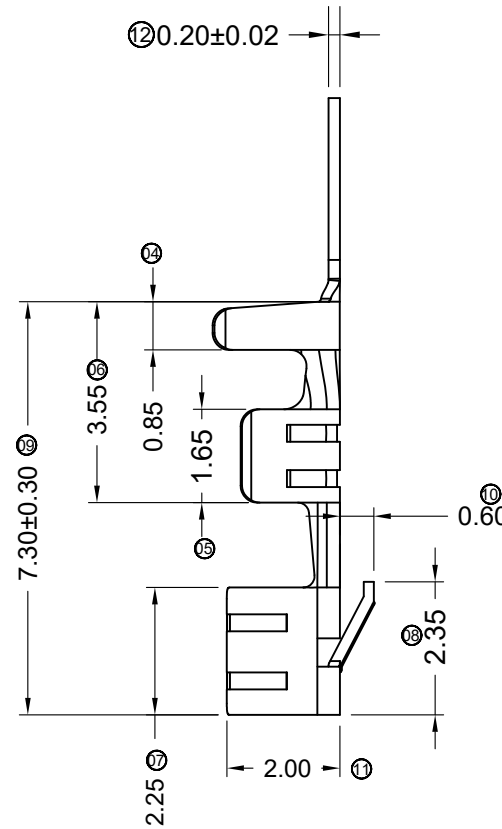
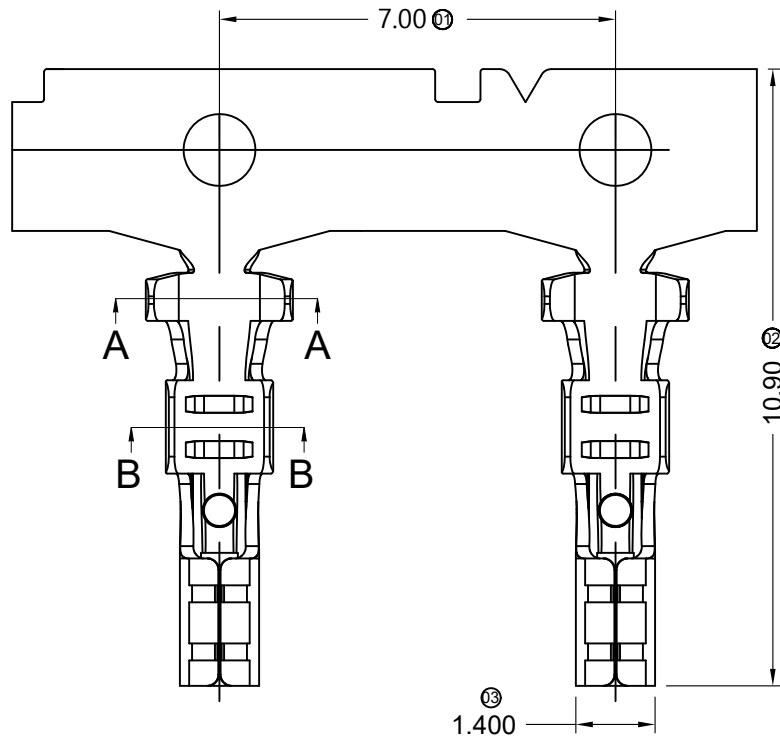
DATE	OLD REV	NEW REV	ECN	DESCRIPTION	CHECK	APPROVAL

GENERAL TOLERANCE	
.X	± 0.30
.XX	± 0.20
.XXX	± 0.10
PROJECT	
	

 东莞市思量连接器有限公司
DONGGUAN ADZL CONNECTORS CO.,LTD.

APPROVAL	CHECK	DRAWN	DATA
Ken	Zhao Hong	Allen	2017/07/30

PART NO. 2564H-XX-N0XX			
TITLE 2.50mm Crimp Style Connectors			
UNIT MM	SCALE 1:1	NUMBER	REV



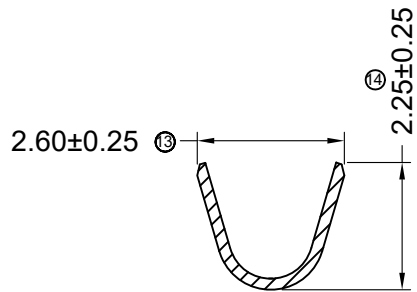
Specifications :

- Voltage rating: 250V AC / DC
- Current rating: 3A AC / DC
- Withstanding voltage: 1000V AC/minute
- Temperature range: -25°C~+85°C
- Insulation resistance: ≥1000MΩ
- Contact resistance: ≤20mΩ
- After environmental testing: ≤30mΩ

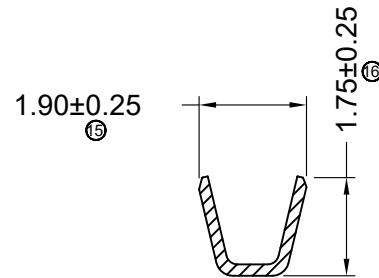
2564 T X-X SN X-X

① ② ③ ④ ⑤ ⑥ ⑦

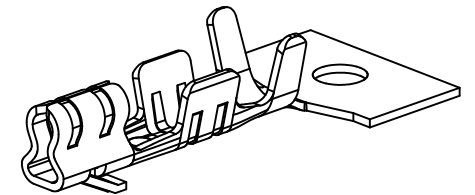
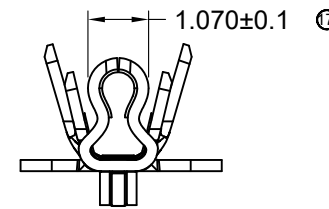
- ① Series No.
- ② Category: T-Terminal
- ③ Appearance type: Blank-Ordinary
- ④ Material: P-Phosphor bronze ; B-Brass
- ⑤ Plating Style: SN-Bright Tin Plating
- ⑥ Plating Method :
Blank-Stamping before Plating
B-Plating before stamping
- ⑦ Mold No./Mark/Special No.



SECTION: A-A
SCALE: 1:1



SECTION: B-B
SCALE: 1:1



2564T-PSN	Phosphor Bronze	AWG#22-28	1.90mm(Max)	Stamping Before Plating:30u" Ni;70u"Sn	2564H
PART NO	Material	Wire Range	Insulation O.D.	Finish	Used in ADZL Housing

GENERAL TOLERANCE

.X	±0.30
.XX	±0.20
.XXX	±0.10

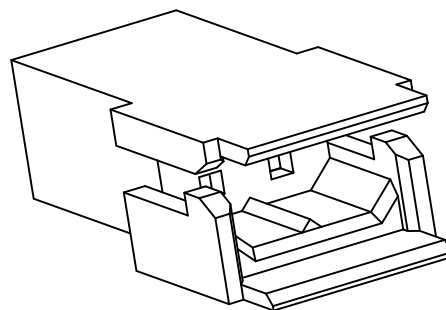
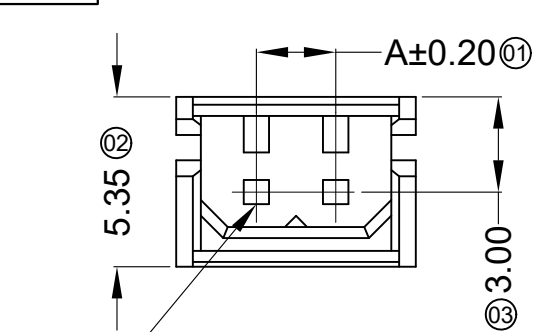
东莞市思量连接器有限公司
DONGGUAN ADZL CONNECTORS CO.,LTD.

PART NO. 2564T-PSN			
TITLE 2.50mm Crimp Style Connectors			
UNIT MM	SCALE 1:1	NUMBER	REV

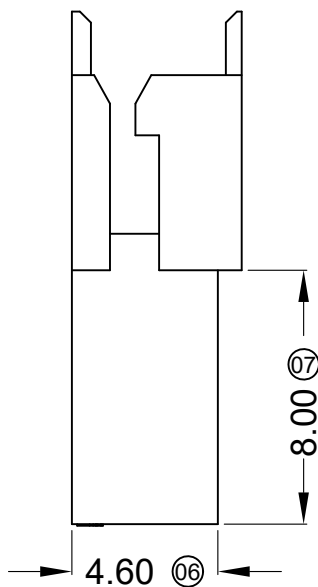
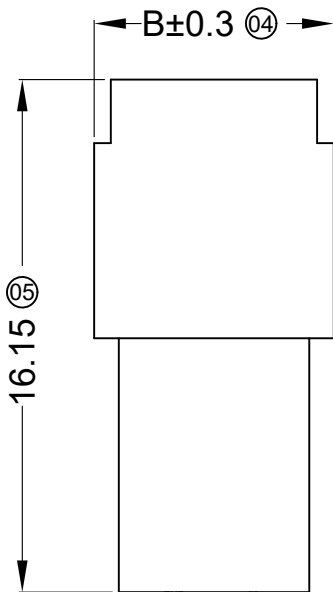
APPROVAL	CHECK	DRAWN	DATE
Ken	Zhao Hong	Allen	2023/02/21

DATE	OLD REV	NEW REV	ECN	DESCRIPTION	CHECK	APPROVAL
------	---------	---------	-----	-------------	-------	----------





Circuit 1



■ Specifications :

- Voltage rating: 250V AC / DC
- Current rating: 3A AC / DC
- Withstanding voltage: 1000V AC/minute
- Temperature range: -25°C~+85°C
- Insulation resistance: ≥1000MΩ
- Contact resistance: ≤20mΩ
- After environmental testing: ≤30mΩ



2564 H F-XX X-N0 XX
 ① ② ③ ④ ⑤ ⑥ ⑦

- ① Series No.
- ② Category: H-HSG
- ③ Appearance type: F : Female HSG
- ④ Row No.-Pin No.: XX-Single Row
- ⑤ Plug the Pin & Special No. Blank-Ordinary
- ⑥ Material : N0-PA66 94V-0
- ⑦ Color: Blank : Natural Color
HF:Halogen Free

Poles	Dimensions(mm)		Poles	Dimensions(mm)	
	A	B		A	B
02	2.50	7.55	10	22.50	27.55
03	5.00	10.05	11	25.00	30.05
04	7.50	12.55	12	27.50	32.55
05	10.00	15.05	13	30.00	35.05
06	12.50	17.55	14	32.50	37.55
07	15.00	20.05	15	35.00	40.05
08	17.50	22.55	16	37.50	42.55
09	20.00	25.05			

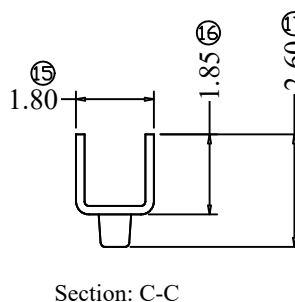
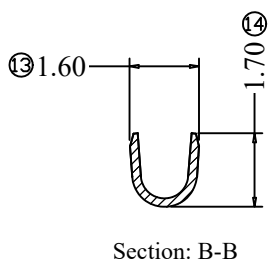
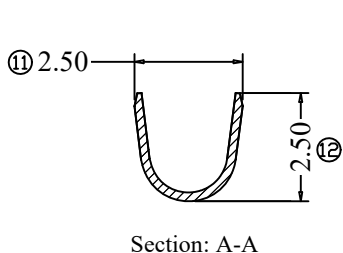
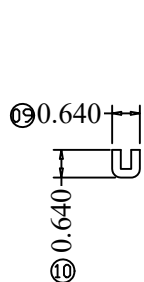
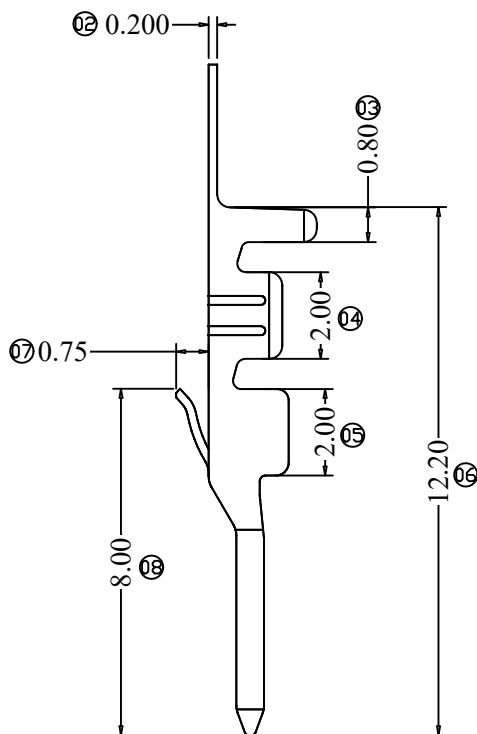
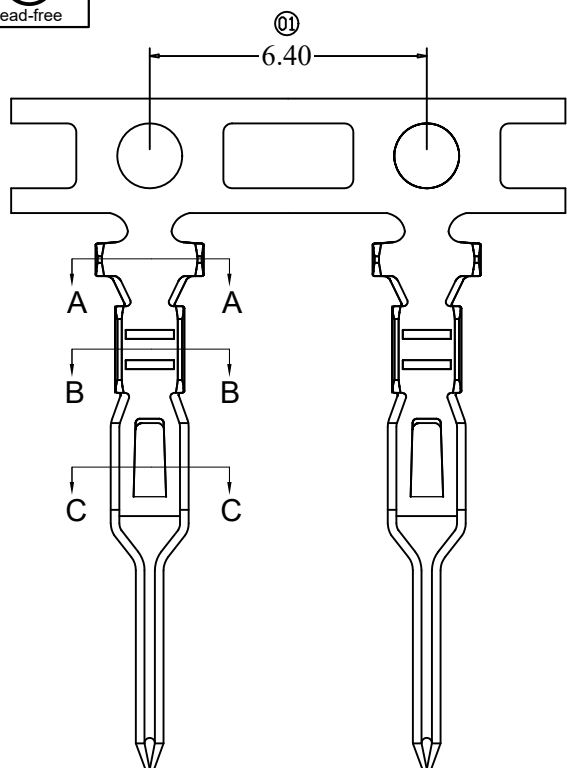
2564HF-XX-N0	Nylon 66 UL 94V-0	8821TM	2564H-XX-N2
PART NO	Material	Suitable ADZL Terminal	Mates With ADZL Wafer

DATE	OLD REV	NEW REV	ECN	DESCRIPTION	CHECK	APPROVAL

GENERAL TOLERANCE	
.X	±0.30
.XX	±0.20
.XXX	±0.10
PROJECT	
	

 东莞市思量连接器有限公司 DONGGUAN ADZL CONNECTORS CO.,LTD.			
APPROVAL	CHECK	DRAWN	DATA
Ken	Zhao Hong	Allen	2017/07/19

PART NO. 2564HF-XX-N0			
TITLE 2.50 mm Crimp Style Connectors			
UNIT MM	SCALE 1:1	NUMBER	REV



Specifications(规格):

- Voltage rating(额定电压): 250V AC / DC
- Current rating(额定电流): 3A AC / DC
- Withstanding voltage(耐压值): 1000V AC/minute
- Temperature range(工作温度): -25°C~+85°C
- Insulation resistance(绝缘电阻): ≥1000MΩ
- Contact resistance(接触电阻): ≤10mΩ
- After environmental testing(环境测试后): ≤20mΩ

8821 T M-P SN X-01

① ② ③ ④ ⑤ ⑥ ⑦

- ①系列
- ②类别:
T-端子
- ③外观形态:
M-公端
- ④材质:
P-磷铜
- ⑤电镀类别:G**-镀金 V**-镀全金
*O1-Gold Flash *O2-2U" *O3-3U" *O5-5U"
*10-10U" *15-15U" *30-30U" *50-50U"
SN-镀亮锡(70-120U") SN1-镀亮锡(120U"Min.)
0-素材 SW-镀雾锡
- ⑥电镀方式:
空码-先冲后镀 B-先镀后冲
- ⑦01-模号/MARK及特殊码

8821TM-PSN-01	Phosphor Bronze	AWG#22-26	1.90mm(Max)	Stamping Before Plating:30~50u" Ni;70~120u"Sn	8821HF/2564HF
PART NO	Material	Wire Range	Insulation O.D.	Finish	Used In ADZL Housing

DATE	OLD REV	NEW REV	ECN	DESCRIPTION	CHECK	APPROVAL

GENERAL TOLERANCE
 .X ±0.30
 .XX ±0.20
 .XXX ±0.10



 东莞市思量连接器有限公司
 DONGGUAN ADZL CONNECTORS CO.,LTD.

APPROVAL	CHECK	DRAWN	DATA
Ken	Zhao Hong	Allen	2020/04/08

PART NO. 8821TM-PSN-01			
TITLE 2.50 mm Crimp Style connectors			
UNIT MM	SCALE 1/1	NUMBER	REV