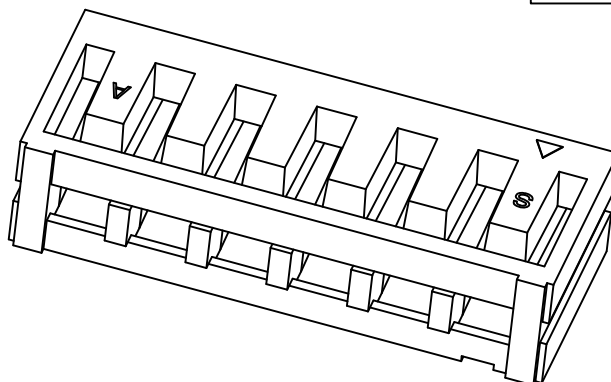
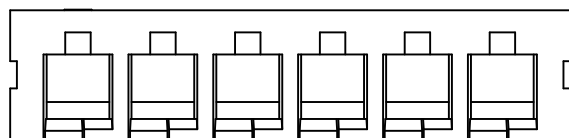


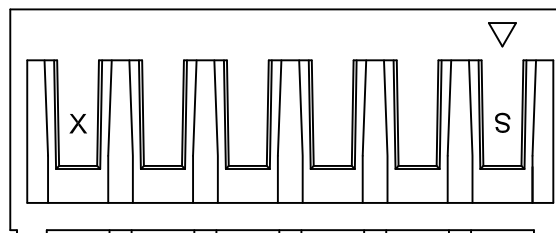
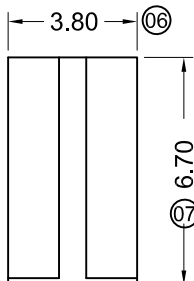
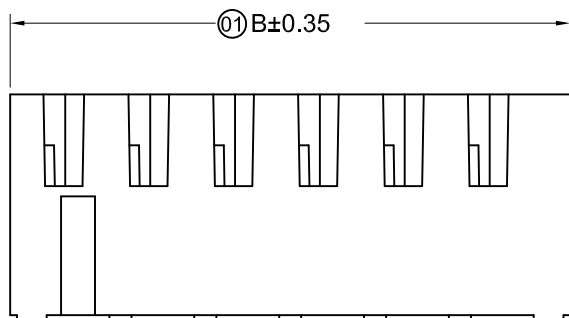
RoHS

WWW.ADZLCONN.COM

TEL:0769-82285488



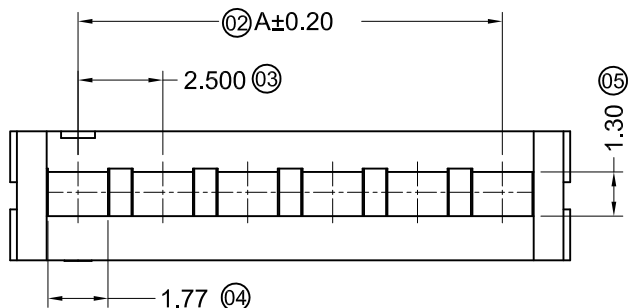
- Specifications :
- Voltage rating: 250V AC / DC
 - Current rating: 3A AC / DC
 - Withstanding voltage: 800V AC/minute
 - Temperature range: -40°C~+105°C
 - Insulation resistance: ≥1000MΩ
 - Suitable ADZL Terminal: 9025TR



9025 H R-XX X-N0 HF XX

① ② ③ ④ ⑤ ⑥ ⑦ ⑧

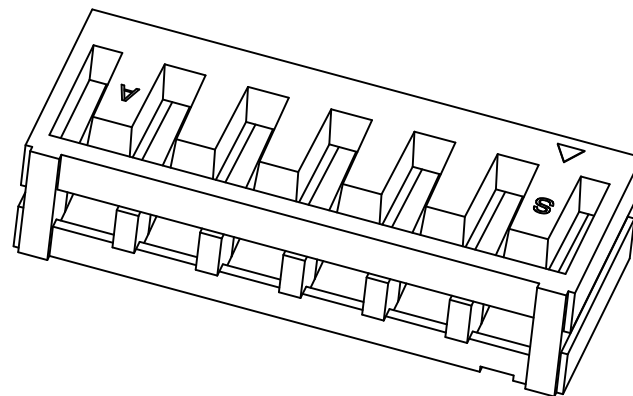
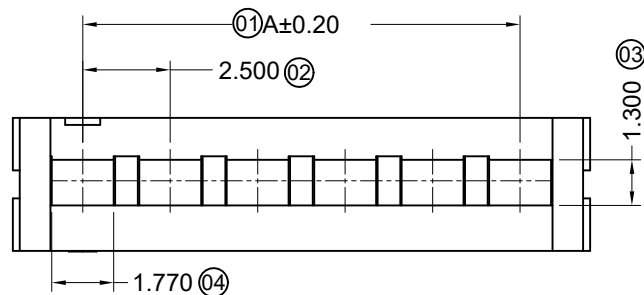
- ① Series No.
- ② Category: H-HSG
- ③ Connector type: R-90°
- ④ Row No.-Pin No per row: XX-02P~16P
- ⑤ Special No.:
- ⑥ Material: N0-PA66 UL 94V-0
- ⑦ HF-Halogen Free
- ⑧ Color: Blank-Natural Color



Poles	Dimensions (mm)		Poles	Dimensions (mm)	
	A	B		A	B
02	2.50	6.50	10	22.50	26.50
03	5.00	9.00	11	25.00	29.00
04	7.50	11.50	12	27.50	31.50
05	10.00	14.00	13	30.00	34.00
06	12.50	16.50	14	32.50	36.50
07	15.00	19.00	15	35.00	39.00
08	17.50	21.50	16	37.50	41.50
09	20.00	24.00			

DATE	REV	ECN NO.	DESCRIPTION	MODIFY	APPROVAL	PROJECT	APPROVAL	CHECK	DRAWN	DATE	PART NO.	TITLE				
						GENERAL TOLERANCE	东莞市思量连接器有限公司 DONGGUAN ADZL CONNECTORS CO.,LTD.				9025HR-XX-N0HF	2.50mm Crimp Style Connectors				
						.X ±0.30		Ken	Zhao Hong	Allen	2018/09/16	UNIT	SCALE	SHEET	REV	NUMBER
						.XX ±0.20						mm	1:1	1/1		
						.XXX ±0.10										
						X.° ±2°										

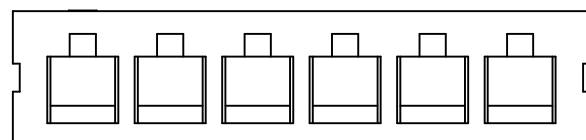
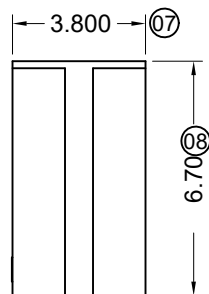
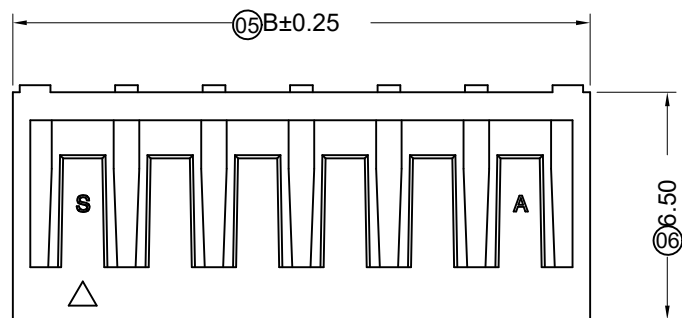
1 2 3 4 5 6 7 8



- Specifications :
- Voltage rating: 250V AC / DC
 - Current rating: 3A AC / DC
 - Withstanding voltage: 800V AC/minute
 - Temperature range: -40°C~+105°C
 - Insulation resistance: ≥1000MΩ
 - Suitable ADZL Terminal: 9025TV

9025 H V-XX X-N0 HF XX
 ① ② ③ ④ ⑤ ⑥ ⑦ ⑧

- ① Series No.
- ② Category: H-HSG
- ③ Connector type: V-180°
- ④ Row No.-Pin No per row: XX-02P~16P
- ⑤ Special No.:
- ⑥ Material: N0-PA66 UL 94V-0
- ⑦ HF-Halogen Free
- ⑧ Color: Blank-Natural Color



Poles	Dimensions (mm)		Poles	Dimensions(mm)	
	A	B		A	B
02	2.50	6.50	10	22.50	26.50
03	5.00	9.00	11	25.00	29.00
04	7.50	11.50	12	27.50	31.50
05	10.00	14.00	13	30.00	34.00
06	12.50	16.50	14	32.50	36.50
07	15.00	19.00	15	35.00	39.00
08	17.50	21.50	16	37.50	41.50
09	20.00	24.00			

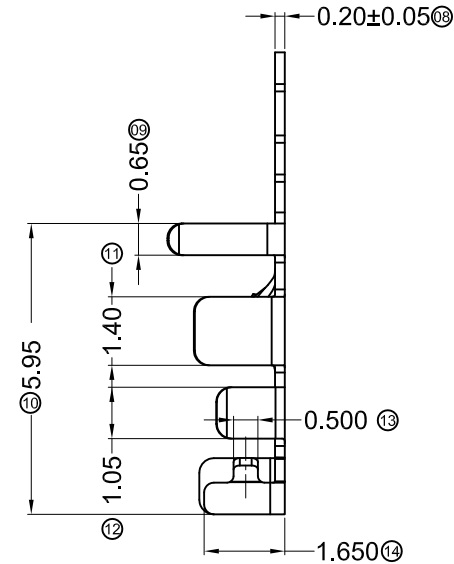
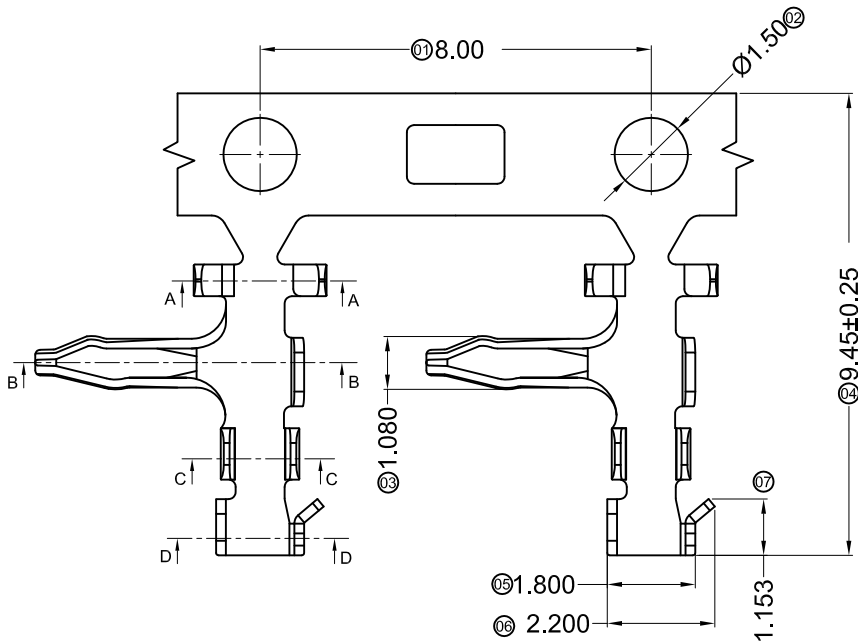
DATE	REV	ECN NO.	DESCRIPTION	MODIFY	APPROVAL
1					
2					
3					
4					

GENERAL TOLERANCE
.X ±0.30
.XX ±0.20
.XXX ±0.10
X.° ±2°
PROJECT

ADZL 东莞市思量连接器有限公司
 DONGGUAN ADZL CONNECTORS CO.,LTD.

APPROVAL	CHECK	DRAWN	DATE
Ken	Zhao Hong	Allen	2018/09/18

PART NO. 9025HV-XX-N0HF				
TITLE 2.50mm Crimp Style Connectors				
UNIT	SCALE	SHEET	REV	NUMBER
mm	1:1	1/1		



■ Specifications :

- Voltage rating: 250V AC / DC
- Current rating: 3A AC / DC
- Withstanding voltage: 800V AC/minute
- Temperature range: -40°C~+105°C
- Insulation resistance: ≥1000MΩ

- Wire Size: AWG#22~24 (0.35~0.22mm²)
- Insulation O.D.: 1.60mm (Max)
- Used In ADZL Housing: 9025HR

9025 T R-X SN X - 01

① ② ③ ④ ⑤ ⑥ ⑦

① Series Number

② Category: T-terminal

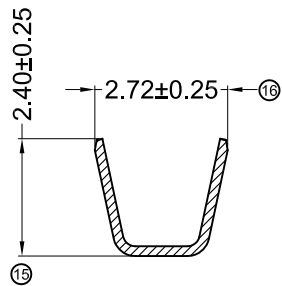
③ Connector type: V-90°

④ Material: B-Brass ; P-Phosphor bronze

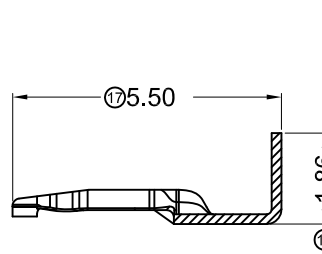
⑤ Plating code: SN-Bright tin plating

⑥ Plating method: Blank-Stamping before plating

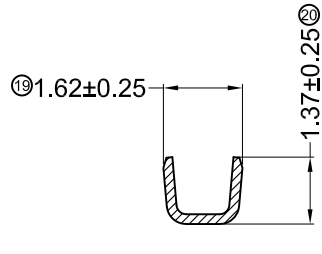
⑦ Mold No./Mark/Special No. :



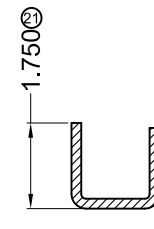
SECTION A-A
SCALE 1:1



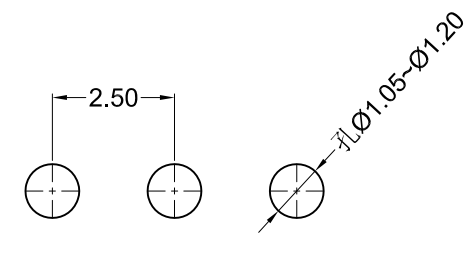
SECTION B-B
SCALE 1:1



SECTION C-C
SCALE 1:1

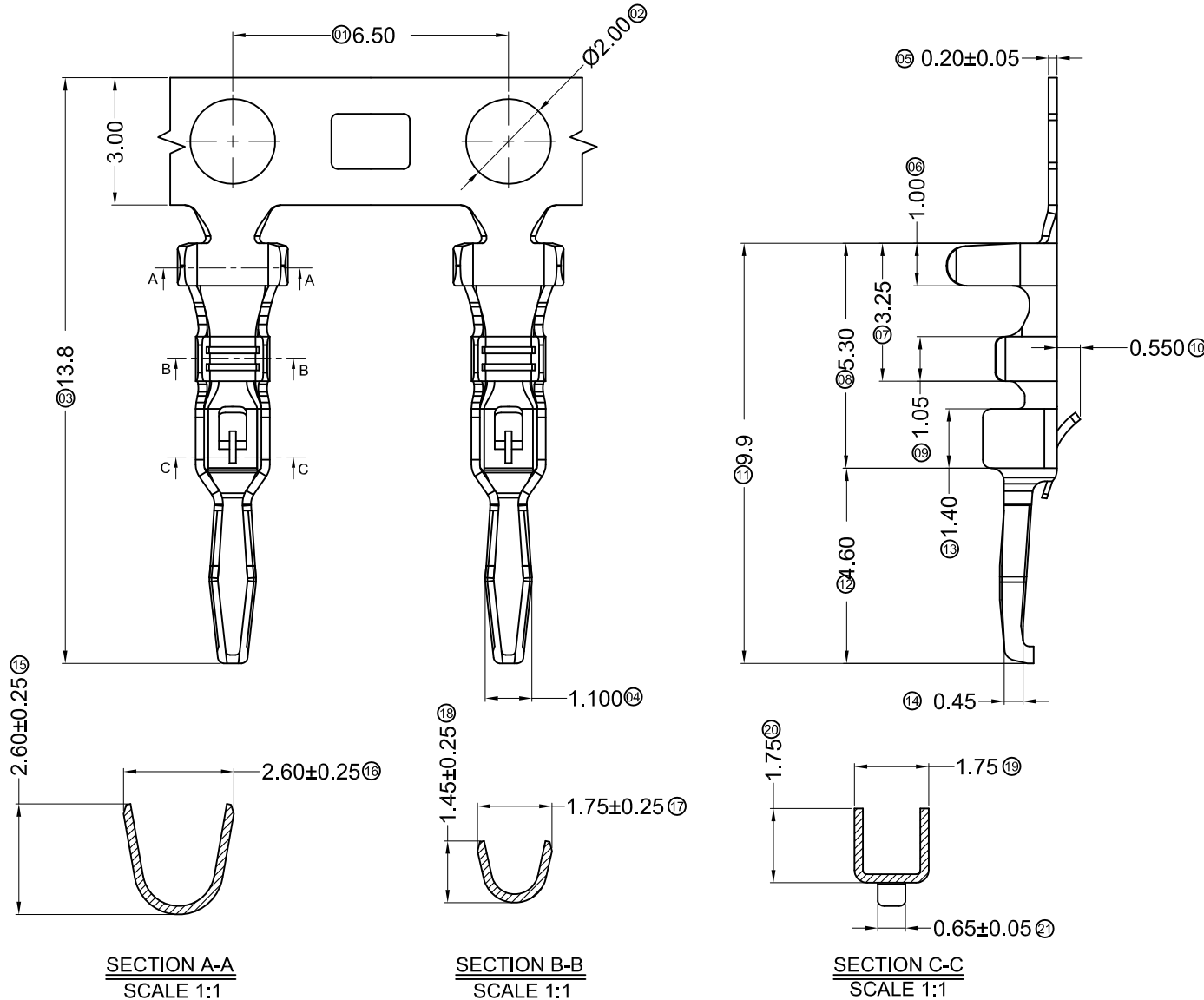


SECTION D-D
SCALE 1:1



Recommended P.C.B Layout
General Tolerance ±0.05 T=1.60mm

					GENERAL TOLERANCE .X ±0.30 .XX ±0.20 .XXX ±0.10 X.° ±2° PROJECT 				PART NO. 9025TR-XSN-01			
					东莞市思量连接器有限公司 DONGGUAN ADZL CONNECTORS CO.,LTD.				TITLE 2.50mm Crimp Style Connectors			
					APPROVAL		CHECK		DRAWN		DATE	
					Ken		Zhao Hong		Allen		2018/09/18	
DATE	REV	ECN NO	DESCRIPTION	MODIFY	APPROVAL	UNIT	SCALE	SHEET	REV	NUMBER		
1		2		4		mm	1:1	1/1				



Specifications :

- Voltage rating: 250V AC / DC
- Current rating: 3A AC / DC
- Withstanding voltage: 800V AC/minute
- Temperature range: -40°C~+105°C
- Insulation resistance: ≥1000MΩ
- Wire Size: AWG#22~24(0.35~0.22mm²)
- Insulation O.D.: 1.60mm (Max)
- Used In ADZL Housing: 9025HV

9025 T V-X SN X - 01

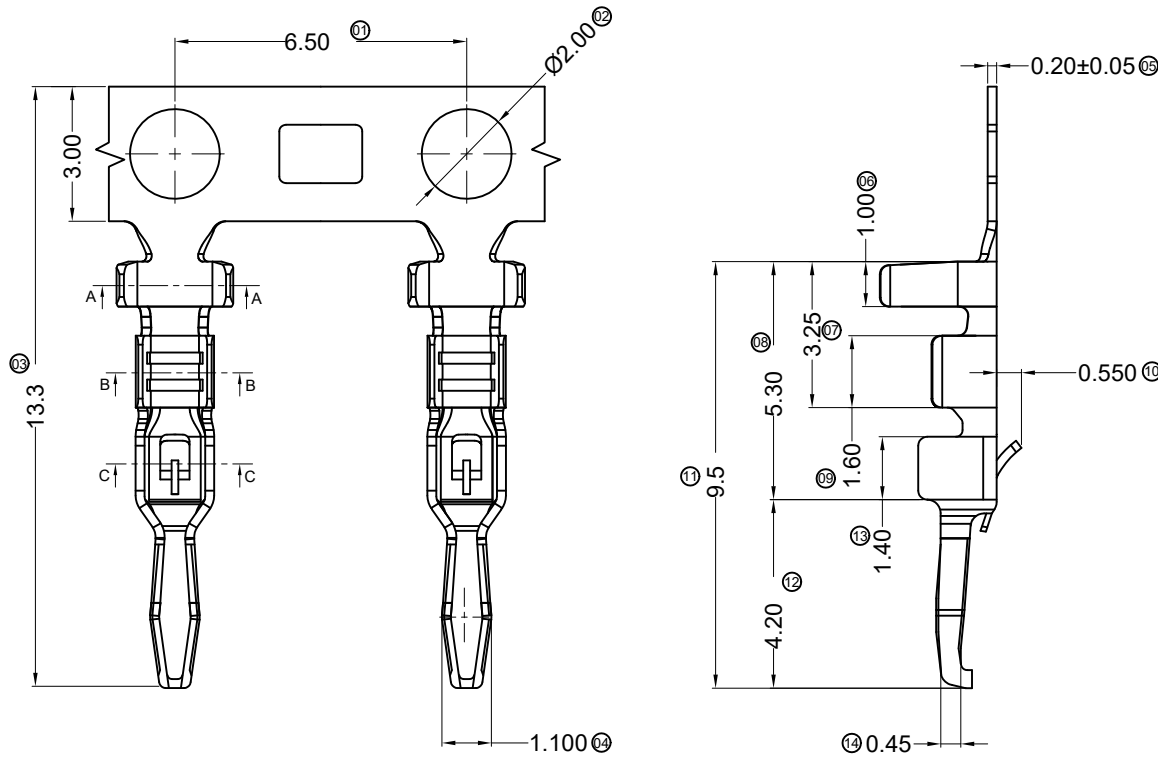
① ② ③ ④ ⑤ ⑥ ⑦

- ① Series Number
- ② Category: T-terminal
- ③ Shape: V-Straight 180°
- ④ Material: B-Brass ; P-Phosphor bronze
- ⑤ Plating style: SN-Bright tin plating
- ⑥ Plating method: Blank-Stamping before plating
- ⑦ Mold No./Mark/Special No. :

Recommended P.C.B Layout
General Tolerance ±0.05 T=1.60mm

					GENERAL TOLERANCE .X ±0.30 .XX ±0.20 .XXX ±0.10 X.° ±2° PROJECT 				PART NO. 9025TV-XSN-01				
					APPROVAL CHECK DRAWN DATE Ken Zhao Hong Allen 2019/08/16				TITLE 2.50mm Crimp Style Connectors				
DATE	REV	ECN NO	DESCRIPTION	MODIFY	APPROVAL	UNIT	SCALE	SHEET	REV	NUMBER			
1						mm	1:1	1/1					

ADZL 东莞市思量连接器有限公司
DONGGUAN ADZL CONNECTORS CO.,LTD.

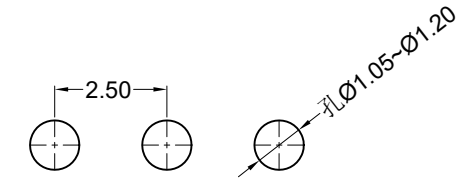
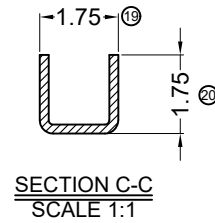
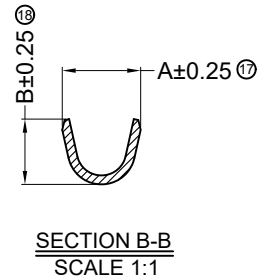
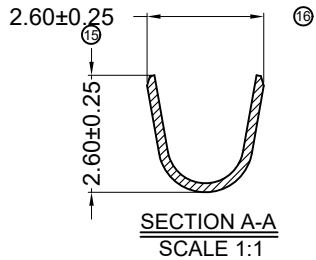


- Specifications :
- Voltage rating: 250V AC / DC
 - Current rating: 3A AC / DC
 - Withstanding voltage: 800V AC/minute
 - Temperature range: -40°C~+105°C
 - Insulation resistance: ≥1000MΩ

- Wire Size: AWG#20~24 (0.50~0.22mm²)
- Insulation O.D.: 1.60mm (Max)
- Used In SWB Housing: 9025HV

9025 T V-X SN X - X 1
 ① ② ③ ④ ⑤ ⑥ ⑦ ⑧

- ① Series Number
- ② Category: T-terminal
- ③ Shape: V-Straight 180°
- ④ Material: B-Brass ; P-Phosphor bronze
- ⑤ Plating style: SN-Bright tin plating
- ⑥ Plating method: Blank-Stamping before plating
- ⑦ Shape: Blank-Ordinary Barrel; H-High Barrel
- ⑧ Special No. : 1



Recommended P.C.B Layout
 General Tolerance ±0.05 T=1.60mm

9025TV-XSN-H1	AWG#22~20 0.35~0.50m ²	1.60mm (Max)	1.90	1.75
9025TV-XSN-1	AWG#24 0.22 ²	1.30mm (Max)	1.75	1.45
P/N	Wire Range	Insulation O.D.	A	B

DATE	REV	ECN NO	DESCRIPTION	MODIFY	APPROVAL
1	2	3	4	5	6

ADZL 东莞市思量连接器有限公司
 DONGGUAN ADZL CONNECTORS CO.,LTD.

GENERAL TOLERANCE
 .X ±0.30
 .XX ±0.20
 .XXX ±0.10
 X.° ±2°

PROJECT

APPROVAL	CHECK	DRAWN	DATE
Ken	Zhao Hong	Allen	2021/07/27

PART NO. 9025TV-XSN-X1				
TITLE 2.50mm Crimp Style Connectors				
UNIT	SCALE	SHEET	REV	NUMBER
mm	1:1	1/1		