

RoHS

WWW.ADZLCONN.COM

TEL:0769-82285488

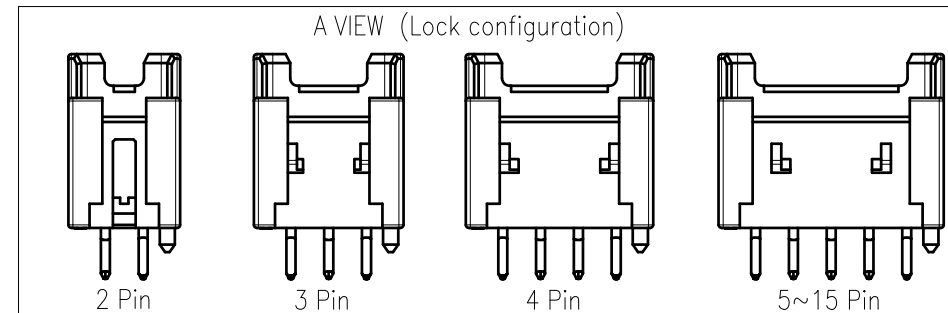
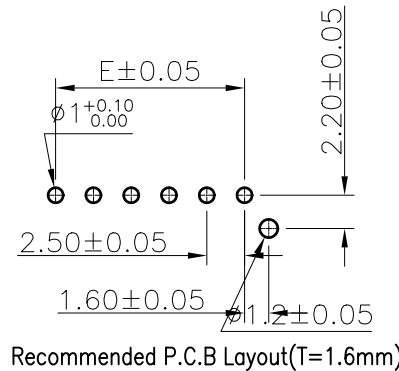
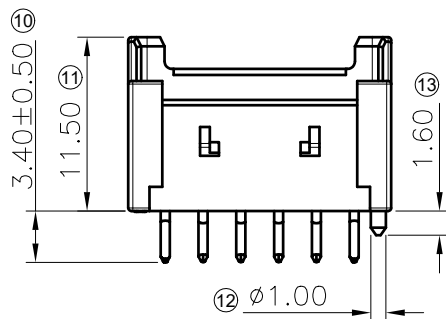
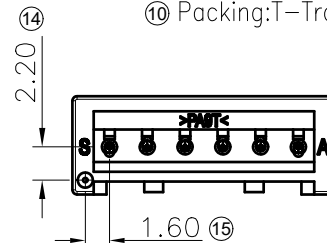
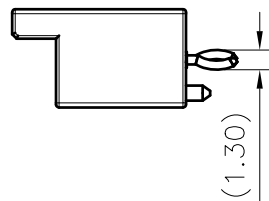
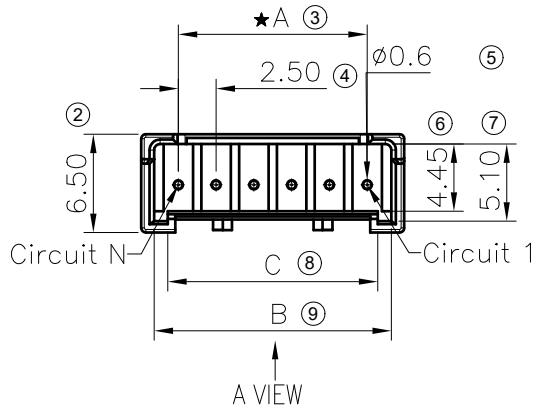
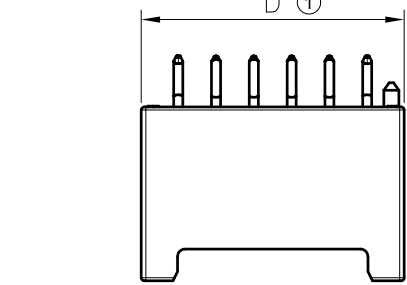
Poles	Dimensions/mm				
	A	E	B	C	D
2	2.50		5.70	3.90	7.40
3	5.00		8.20	6.40	9.90
4	7.50		10.70	8.90	12.40
5	10.00		13.20	11.40	14.90
6	12.50		15.70	13.90	17.40
7	15.00		18.20	16.40	19.90
8	17.50		20.70	18.90	22.40
9	20.00		23.20	21.40	24.90
10	22.50		25.70	23.90	27.40
11	25.00		28.20	26.40	29.90
12	27.50		30.70	28.90	32.40
13	30.00		33.20	31.40	34.90
14	32.50		35.70	33.90	37.40
15	35.00		38.20	36.40	39.90

A2512 W V X-XX P-9T SW1 N I
 ① ②③④ ⑤⑥ ⑦ ⑧ ⑨⑩

- ① Series No.:A2512
- ② Category:W-Wafer
- ③ Connector Type:V-Straight 180°
- ④ Mounting Type:Blank-DIP
- ⑤ Row No.-Pin No.:XX-02~15Pin
- ⑥ Special No.:P-With a post
- ⑦ Plastic Material:9T-PA9T UL94V-0
- ⑧ Planting Code:SW1-Matte Tin
- Underplate:Ni 40~120u"(1~3um) overall
- Top Plating:Sn 80~200u"(2~5um) overall
- ⑨ Color:N-Natural
- ⑩ Packing:T-Tray

Specifications:

- Voltage Rating:50V AC/DC
- Current Rating:3.5A AC/DC
- Withstanding Voltage:1000V AC/Minute
- Temperature Range:-40°C~+125°C
- Insulation Resistance:100MΩ Min./500V DC/Minute
- Contact Resistance:≤10mΩ (Initial)
 ≤20mΩ (After Testing)
- Mates With ADZL Housing:A2512H-XX
- Product Specification:PS-A2512-01 or PS-A2512-02
- Packaging Drawing:PK-A2512WV-XXP-9TSW1NT
- Symbols for SPC Dimensions:"★"



DATE	REV	ECN NO.	DESCRIPTION	MODIFY	APPROVAL
1		2	3	4	5

GENERAL TOLERANCE	
.X	±0.35
.XX	±0.25
.XXX	±0.15
X.°	±2°
PROJECT	

东莞市思量连接器有限公司 DONGGUAN ADZL CONNECTORS CO.,LTD.			
APPROVAL	CHECK	DRAWN	DATE
Ken	Zhao Hong	Allen	2020/06/10

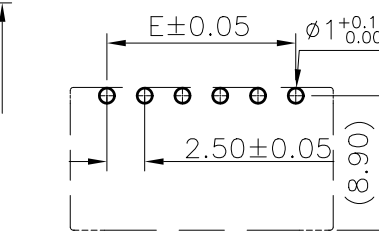
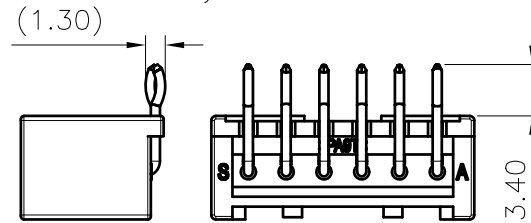
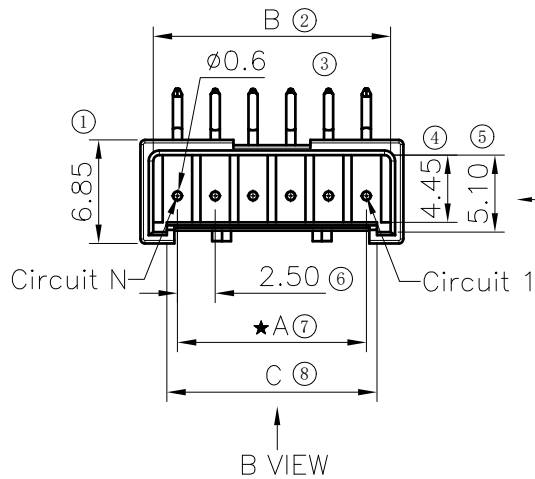
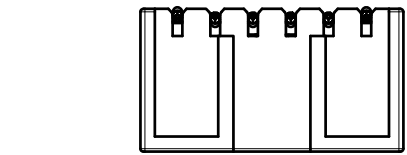
PART NO.				
A2512WV-XXP-9TSW1NT				
TITLE				
2.5 W/B CONN WAFER ASSY WITH KINK				
UNIT	SCALE	SHEET	REV	NUMBER
mm	2:1	1/1		

■ Specifications:

- Voltage Rating:50V AC/DC
- Current Rating:3.5A AC/DC
- Withstanding Voltage:1000V AC/Minute
- Temperature Range:-40°C~+125°C
- Insulation Resistance:100MΩ Min./500V DC/Minute
- Contact Resistance:≤ 10mΩ (Initial)
≤ 20mΩ (After Testing)
- Mates With ADZL Housing:A2512H-XX
- Product Specification:PS-A2512-01 or PS-A2512-02
- Packaging Drawing:PK-A2512WR-XX-9TSW1NT
- Symbols for SPC Dimensions:"★"

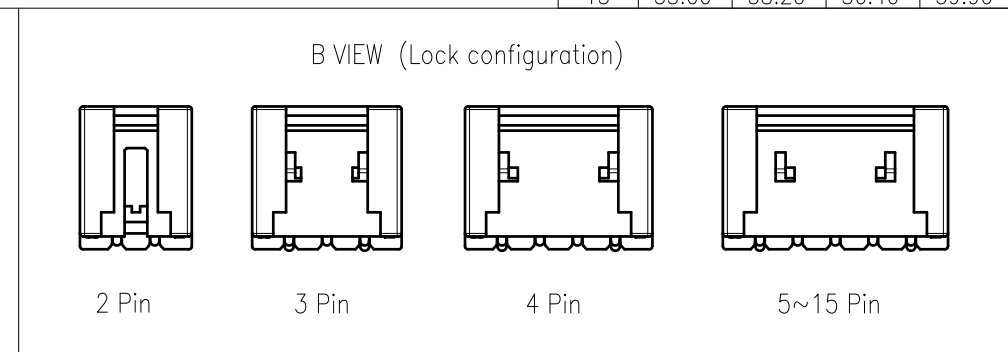
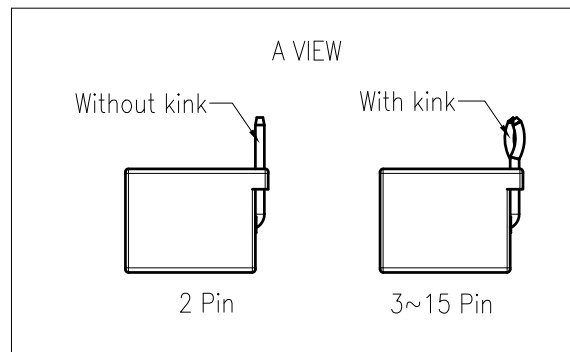
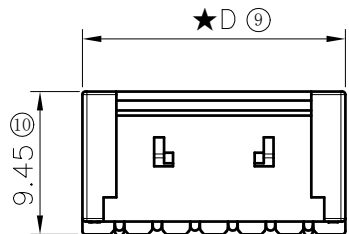
A2512 W R X-XX-9T SW1 N T

- ① ②③④ ⑤ ⑥ ⑦ ⑧⑨
- ① Series No.:A2512
 - ② Category:W-Wafer
 - ③ Connector Type:R-Right angle 90°
 - ④ Mounting Type:Blank-DIP
 - ⑤ Row No.-Pin No.:XX-02~15Pin
 - ⑥ Plastic Material:9T-PA9T UL94V-0
 - ⑦ Planting Code:SW1-Matte Tin
Underplate:Ni 40~120u"(1~3um) overall
Top Plating:Sn 80~200u"(2~5um) overall
 - ⑧ Color:N-Natural
 - ⑨ Packing:T-Tray



Recommended P.C.B Layout(T=1.6mm)

Poles	Dimensions/mm				
	A	E	B	C	D
2	2.50		5.70	3.90	7.40
3	5.00		8.20	6.40	9.90
4	7.50		10.70	8.90	12.40
5	10.00		13.20	11.40	14.90
6	12.50		15.70	13.90	17.40
7	15.00		18.20	16.40	19.90
8	17.50		20.70	18.90	22.40
9	20.00		23.20	21.40	24.90
10	22.50		25.70	23.90	27.40
11	25.00		28.20	26.40	29.90
12	27.50		30.70	28.90	32.40
13	30.00		33.20	31.40	34.90
14	32.50		35.70	33.90	37.40
15	35.00		38.20	36.40	39.90



DATE	REV	ECN NO.	DESCRIPTION	MODIFY	APPROVAL
1					
2					
3					
4					

GENERAL TOLERANCE	
.X	±0.35
.XX	±0.25
.XXX	±0.15
X.°	±2°
PROJECT	
⊕	⊖

ADZL 东莞市思量连接器有限公司
DONGGUAN ADZL CONNECTORS CO.,LTD.

APPROVAL	CHECK	DRAWN	DATE
Ken	Zhao Hong	Allen	2021/03/18

PART NO.				
A2512WR-XX-9TSW1NT				
TITLE				
2.5 W/B CONN WAFER ASSY RIGHT ANGLE WITH KINK				
UNIT	SCALE	SHEET	REV	NUMBER
mm	2:1	1/1		

RoHS

WWW.ADZLCONN.COM

TEL:0769-82285488

Poles	Dimensions/mm		
	A	B	C
2	2.50	5.50	4.10
3	5.00	8.00	6.60
4	7.50	10.50	9.10
5	10.00	13.00	11.60
6	12.50	15.50	14.10
7	15.00	18.00	16.60
8	17.50	20.50	19.10
9	20.00	23.00	21.60
10	22.50	25.50	24.10
11	25.00	28.00	26.60
12	27.50	30.50	29.10
13	30.00	33.00	31.60
14	32.50	35.50	34.10
15	35.00	38.00	36.60

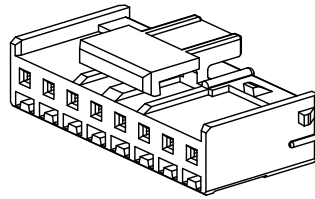
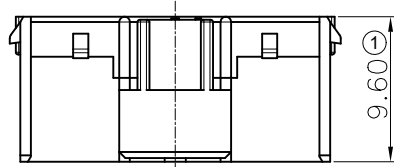
■ Specifications

- Voltage Rating:50V AC/DC
- Withstanding Voltage:1000V AC/Minute
- Temperature Range:-40°C~+125°C
- Insulation Resistance:100MΩ Min./500V DC/Minute
- Mates With ADZL Terminal:A2512TX-XXX
- Mates With ADZL TPA:CA2512-XX
- Mates With ADZL Wafer:A2512WX-XX
- Product Specification:PS-A2512-01 or PS-A2512-02
- Packaging Drawing:PK-A2512H-XX-NOHFNC
- Symbols for SPC Dimensions:★

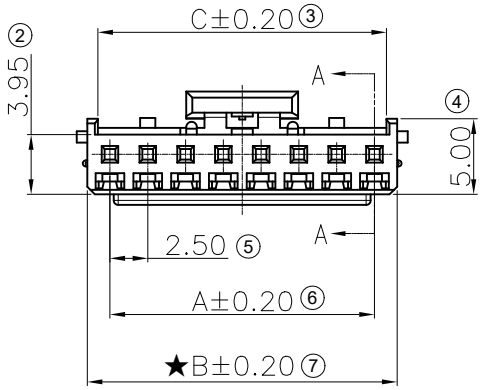
A2512 H-XX-NOHF NC

① ② ③ ④ ⑤

- ① Series No.:A2512
- ② Connector Type:H-Housing
- ③ Row No.-Pin No.:XX-Single Row 02~15Pin
- ④ Plastic Material:NO-PA66 (UL94-V0)
HF-Halogen Free
- ⑤ Color:NC-Natural

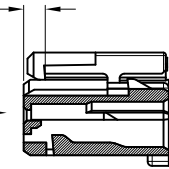


B VIEW

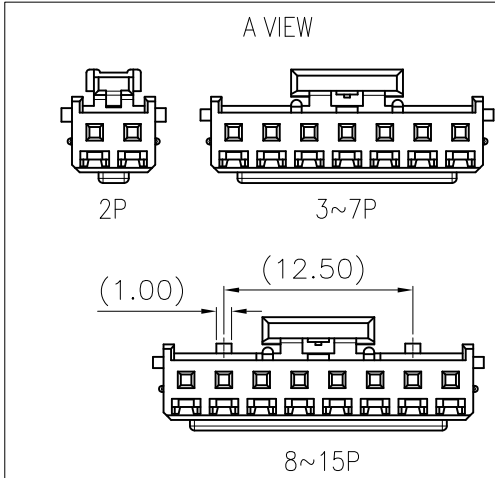
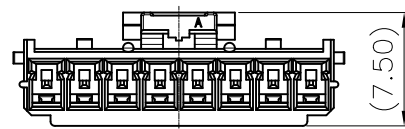


⑧ 1.43

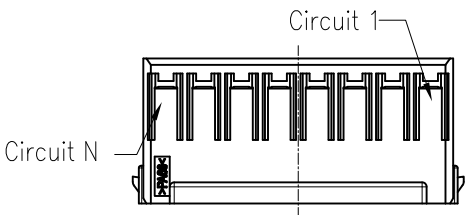
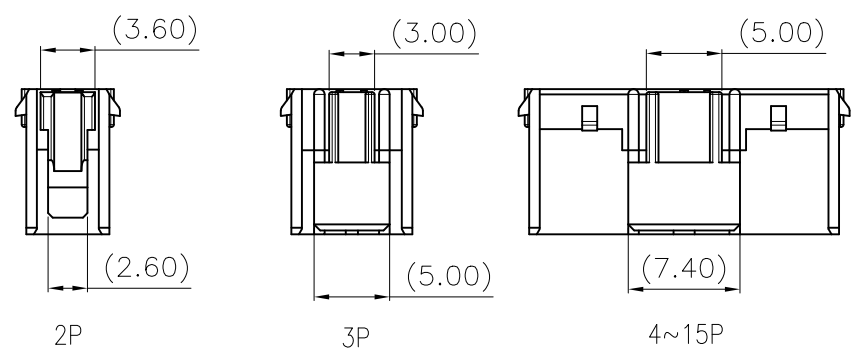
A VIEW



SECTION A-A



B VIEW



DATE	REV	ECN NO.	DESCRIPTION	MODIFY	APPROVAL
1		2		4	

GENERAL TOLERANCE	
.X	±0.35
.XX	±0.25
.XXX	±0.15
X.°	±2°
PROJECT	

ADZL 东莞市思量连接器有限公司
DONGGUAN ADZL CONNECTORS CO.,LTD.

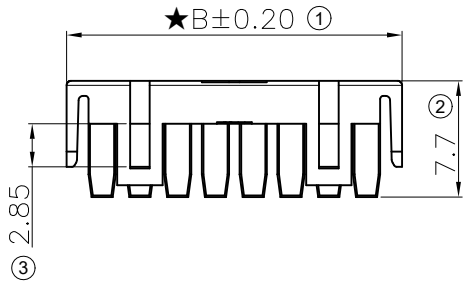
APPROVAL	CHECK	DRAWN	DATE
Ken	Zhao Hong	Allen	2021/03/18

PART NO. A2512H-XX-NOHFNC				
TITLE 2.50 WTB CONN. Housing				
UNIT	SCALE	SHEET	REV	NUMBER
mm	2:1	1/1		

RoHS

WWW.ADZLCONN.COM

TEL:0769-82285488



Poles	Dimensions/mm		Poles	Dimensions/mm	
	A	B		A	B
2	2.50	7.20	9	20.00	24.70
3	5.00	9.70	10	22.50	27.20
4	7.50	12.20	11	25.00	29.70
5	10.00	14.70	12	27.50	32.20
6	12.50	17.20	13	30.00	34.70
7	15.00	19.70	14	32.50	37.20
8	17.50	22.20	15	35.00	39.70

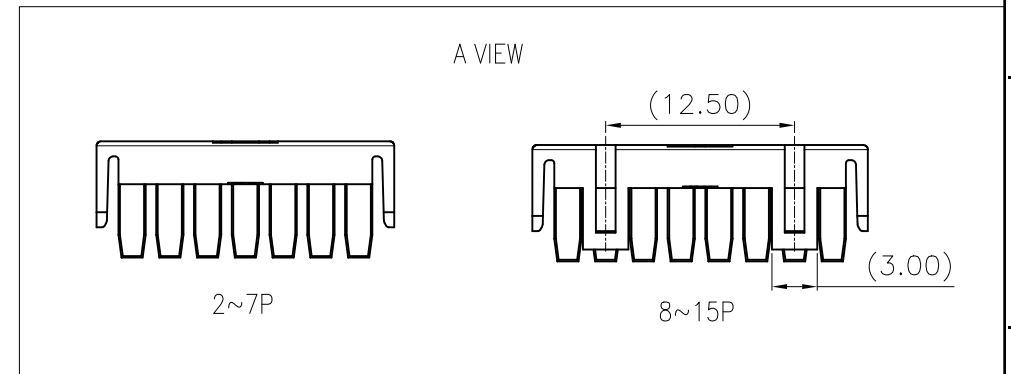
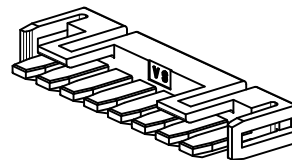
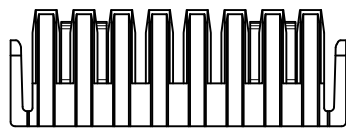
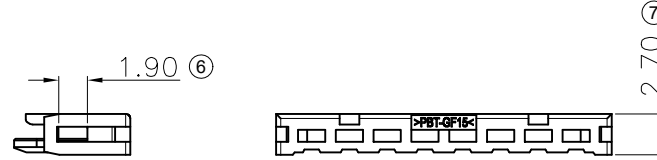
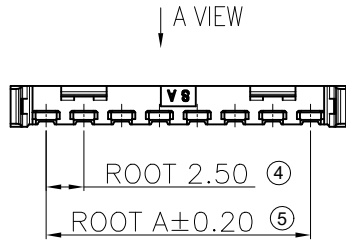
Specifications

- Voltage Rating:50V AC/DC
- Withstanding Voltage:1000V AC/Minute
- Temperature Range:-40°C~+125°C
- Insulation Resistance:100MΩ Min./500V DC/Minute
- Mates With ADZL Housing:A2512H-XX
- Packaging Drawing:PK-CA2512-XX-PTXX
- Symbols for SPC Dimensions:★

C A2512 - XX - PT XX

① ② ③ ④ ⑤

- ① Connector Type:C-TPA
- ② Series No.:A2512
- ③ Row No.-Pin No:XX-Single Row 02~15Pin
- ④ Plastic Material:PT-PBT-GF
- ⑤ Color:BK-Black;GY-Gray

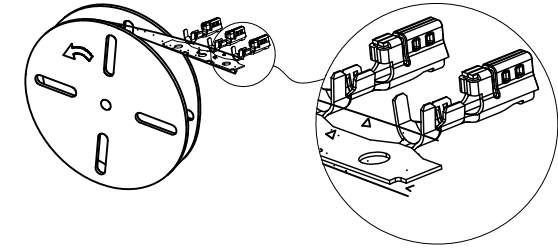
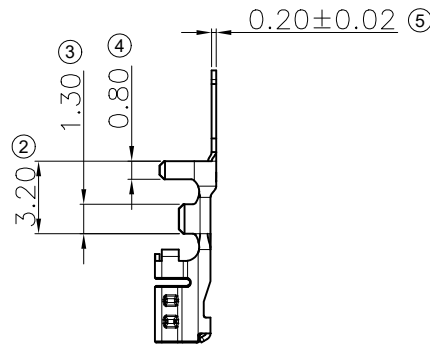
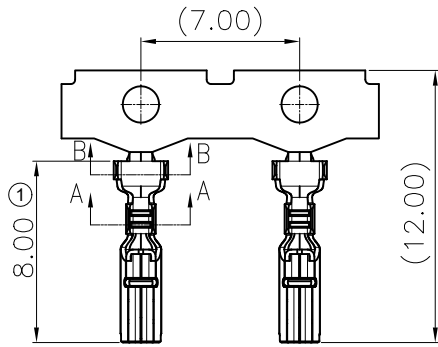


DATE	REV	ECN NO.	DESCRIPTION	MODIFY	APPROVAL
1					
2					
3					
4					

GENERAL TOLERANCE	
.X	±0.35
.XX	±0.25
.XXX	±0.15
X.°	±2°
PROJECT	
⊕	⊖

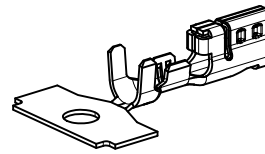
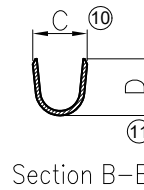
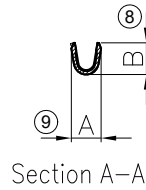
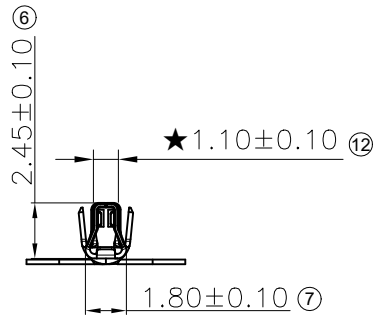
东莞市思量连接器有限公司 DONGGUAN ADZL CONNECTORS CO.,LTD.			
APPROVAL	CHECK	DRAWN	DATE
Ken	Zhao Hong	Allen	2021/03/18

PART NO.				
CA2512-XX-PTXX				
TITLE				
2.50 WTB CONN. TPA				
UNIT	SCALE	SHEET	REV	NUMBER
mm	2:1	1/1		



■ Specifications:

- Current Rating: 2.5A AC/DC(0.22mm² Wire)
3A AC/DC(0.35mm² Wire)
3.5A AC/DC(0.5mm² Wire)
- Temperature Range: -40°C~+125°C
- Contact Resistance: ≤10mΩ (Initial)
≤20mΩ (After Testing)
- Mates With ADZL Housing: A2512H-XX
- Packaging Drawing: PK-A2512TX-XXX
- Product Specification: PS-A2512-02
- Symbols for SPC Dimensions: ★



A2512 T X - H Y2 B
① ②③ ④ ⑤ ⑥

- ① Series No.: A2512
- ② Category: T-Terminal
- ③ Shape: L-Low Feet ; H-High Feet
- ④ Material: H-High conductivity copper
- ⑤ Plating Code:
Y2-40~120u”(1~3um) TIN
- ⑥ Plating Process:
B-Stamping After Plating

Table:

A2512TH-HY2B	AWG#22~20 (0.35~0.5mm ²)	1.50~1.80mm	1.90	2.05	2.90	2.50
A2512TL-HY2B	AWG#24 (0.22mm ²)	1.28~1.42mm	1.30	1.40	2.40	2.50
Part NO.	Wire Range	Insulation O.D.	Dim.A	Dim.B	Dim.C	Dim.D

GENERAL TOLERANCE

- .X ±0.35
- .XX ±0.25
- .XXX ±0.15
- X.° ±2°

PROJECT



ADZL 东莞市思量连接器有限公司
DONGGUAN ADZL CONNECTORS CO.,LTD.

APPROVAL CHECK DRAWN DATE

Ken Zhao Hong Allen 2021/03/15

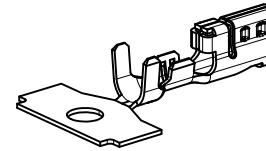
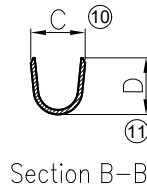
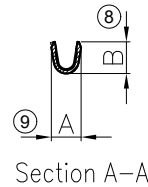
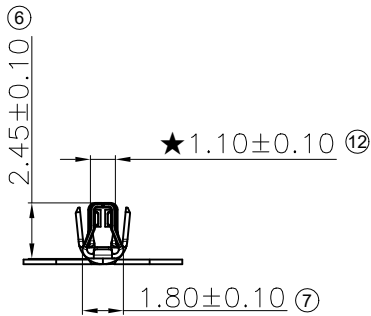
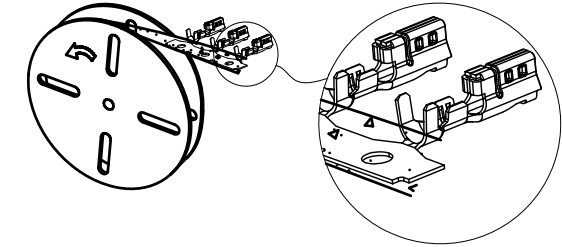
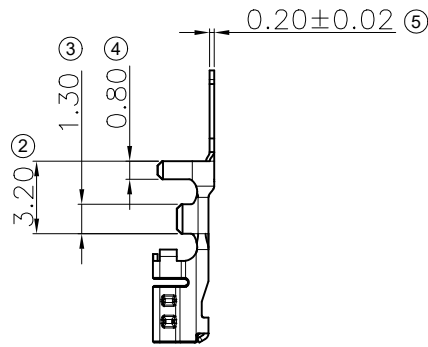
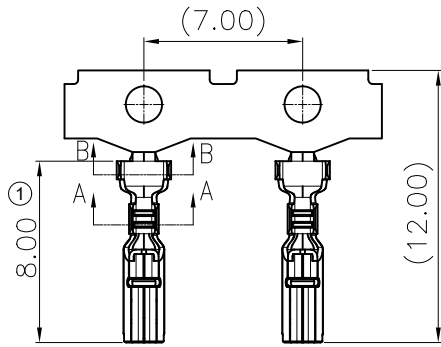
PART NO.
A2512TX-HY2B

TITLE
2.50 WTB CONN. Terminal

UNIT SCALE SHEET REV NUMBER

mm 3:1 1/1

DATE	REV	ECN NO.	DESCRIPTION	MODIFY	APPROVAL	PROJECT	APPROVAL	CHECK	DRAWN	DATE	UNIT	SCALE	SHEET	REV	NUMBER
						Ken	Ken	Zhao Hong	Allen	2021/03/15	mm	3:1	1/1		



Specifications:

- Current Rating: 2A AC/DC(0.13mm² Wire)
2.5A AC/DC(0.22mm² Wire)
3A AC/DC(0.35mm² Wire)
3.5A AC/DC(0.5mm² Wire)
- Temperature Range:
-40°C~+105°C(Phosphor Bronze)
-40°C~+125°C(High conductivity copper)
- Contact Resistance:≤ 10mΩ (Initial)
≤ 20mΩ (After Testing)
- Mates With ADZL Housing:A2512H-XX
- Packaging Drawing:PK-A2512TX-XXX
- Product Specification:PS-A2512-01
- Symbols for SPC Dimensions:★

Table:

A2512TH-HSN1	AWG#22~20 (0.35~0.5mm ²)	1.50~1.80mm	1.90	2.05	2.90	2.50
A2512TH-PSN1						
A2512TL-HSN1	AWG#26~24 (0.13~0.22mm ²)	1.28~1.42mm	1.30	1.40	2.40	2.50
A2512TL-PSN1						
Part NO.	Wire Range	Insulation O.D.	Dim.A	Dim.B	Dim.C	Dim.D

A2512 T X - X SN1

① ② ③ ④ ⑤

- ① Series No.:2512
- ② Category:T-Terminal
- ③ Barrel Type:L-Low Feet ; H-High Feet
- ④ Material:P-Phosphor Bronze; H-High conductivity copper
- ⑤ Plating code:
SN1-Underplate Ni 40~120u"(1~3um) ;
Top plating Sn 80~200u"(2~5um)

					GENERAL TOLERANCE	东莞市思量连接器有限公司 DONGGUAN ADZL CONNECTORS CO.,LTD.				PART NO. A2512TX-XSN1								
					.X ±0.35					APPROVAL CHECK DRAWN DATE Ken Zhao Hong Allen 2021/03/18				TITLE 2.50 WTB CONN. Terminal				
					.XX ±0.25									UNIT SCALE SHEET REV NUMBER				
					.XXX ±0.15									mm 3:1 1/1				
					X.° ±2°													
DATE	REV	ECN NO.	DESCRIPTION	MODIFY	APPROVAL	PROJECT												