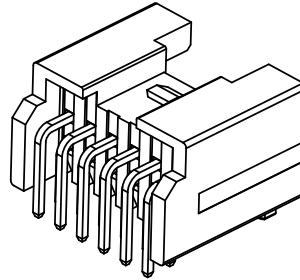
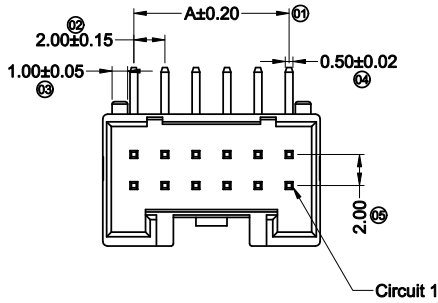


RoHS

WWW.ADZLCONN.COM

TEL:0769-82285488

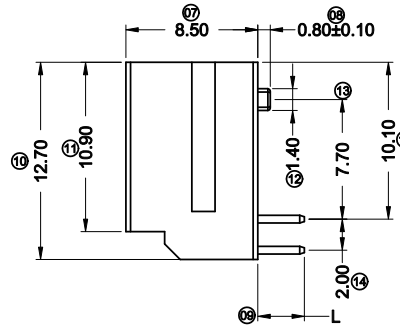
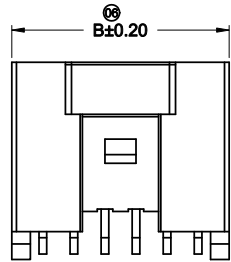


■ Specifications :

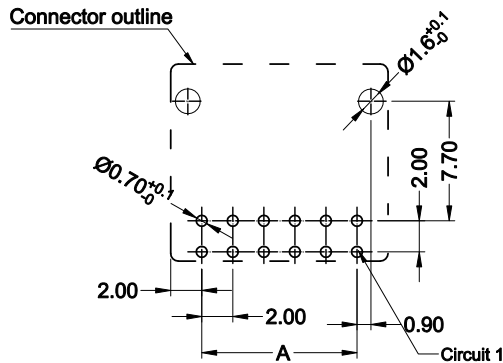
- Voltage rating: 250V AC / DC
- Current rating: 3A AC / DC
- Withstanding voltage: 800V AC/minute
- Temperature range: -25°C~+85°C
- Insulation resistance: ≥1000MΩ
- Contact resistance: ≤10mΩ
- After environmental testing: ≤20mΩ

2020 WR X-2\*XX PX -4T SW N  
① ② ③ ④ ⑤ ⑥ ⑦ ⑧ ⑨

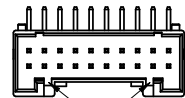
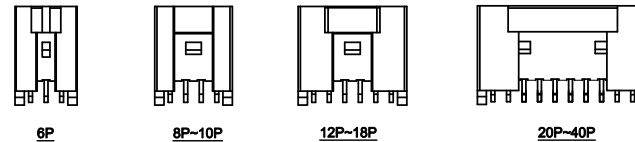
- ① Series No.
- ② Category: W-WAFER
- ③ Welding Board Angle: R- Right Angle 90°
- ④ Welding Way: Blank-DIP
- ⑤ Row No.-Pin No.: 2\*XX-2\*03~2X20P
- ⑥ Special No.: P1-With Post ; DIP=3.00mm  
P2-With Post ; DIP=3.50mm  
P-With Post;DIP=1.80mm
- ⑦ Material: 4T-PA4T 94V-0
- ⑧ Plating Category: SW-Matte Tin Plating  
Sn: 100u" Min ; Ni: 50u" Min
- ⑨ Color : N-Natural



Dim*L*	2020WR-2*XXP	1.80
	2020WR-2*XXP1	3.00
	2020WR-2*XXP2	3.50



Recommended P.C.B Layout  
General Tolerance±0.05



6P~14P Without Guideway  
16P~40P With Guideway  
Scale: 1/0.5

Poles	Dimensions (mm)		Poles	Dimensions (mm)	
	A	B		A	B
2*02	2.00	6.00	2*12	22.00	26.00
2*03	4.00	8.00	2*13	24.00	28.00
2*04	6.00	10.00	2*14	26.00	30.00
2*05	8.00	12.00	2*15	28.00	32.00
2*06	10.00	14.00	2*16	30.00	34.00
2*07	12.00	16.00	2*17	32.00	36.00
2*08	14.00	18.00	2*18	34.00	38.00
2*09	16.00	20.00	2*19	36.00	40.00
2*10	18.00	22.00	2*20	38.00	42.00
2*11	20.00	24.00			

2020WR-2*XXP2-4TSWN				
2020WR-2*XXP-4TSWN	PA4T UL 94V-0	Brass	Matte Tin-Plated	2020H
2020WR-2*XXP1-4TSWN				
PART NO	Material	Material(Pin)	Finish(Pin)	Mates With ADZL Housing

GENERAL TOLERANCE  
.X ±0.30  
.XX ±0.20  
.XXX ±0.10

ADZL 东莞市思量连接器有限公司  
DONGGUAN ADZL CONNECTORS CO.,LTD.

PART NO. 2020WR-2\*XXPX-4TSWN

TITLE 2.00mm Crimp Style Connector

APPROVAL CHECK DRAWN DATA

Ken Zhao Hong Allen 2018/06/16

UNIT SCALE NUMBER REV  
MM 1:1

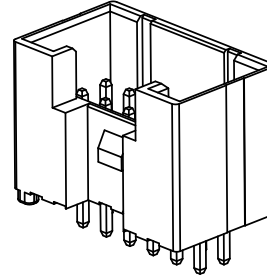
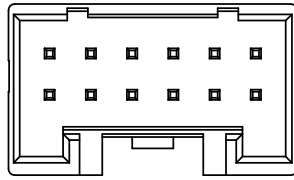
DATE OLD REV NEW REV ECN DESCRIPTION CHECK APPROVAL

1 2 3 4 5 6 7 8

RoHS

WWW.ADZLCONN.COM

TEL:0769-82285488



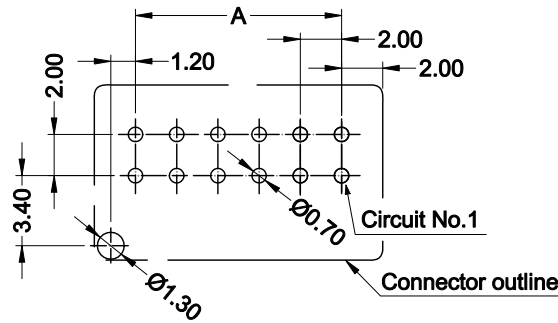
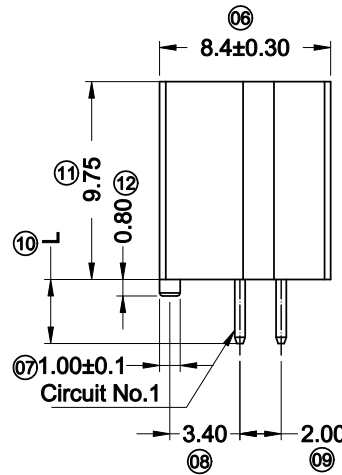
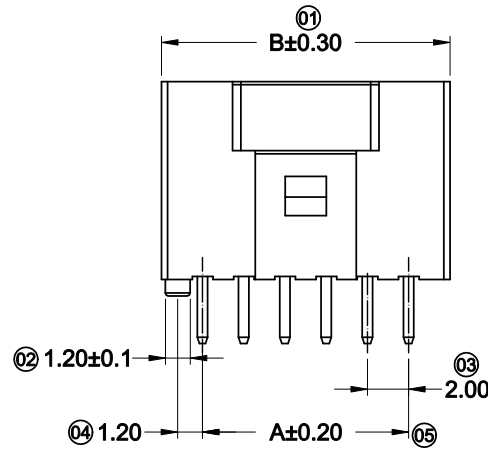
**Specifications :**

- Voltage rating: 250V AC / DC
- Current rating: 3A AC / DC
- Withstanding voltage: 800V AC/minute
- Temperature range: -25°C~+85°C
- Insulation resistance: ≥1000MΩ
- Contact resistance: ≤10mΩ
- After environmental testing: ≤20mΩ

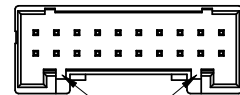
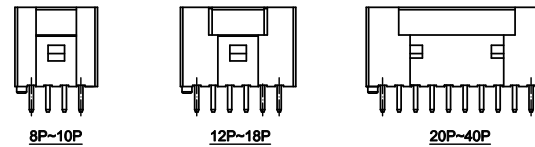
2020 W V X-2\*XX P -XX SW N  
① ② ③ ④ ⑤ ⑥ ⑦ ⑧ ⑨

- ① Series No.
- ② Category: W-WAFER
- ③ Welding Board Angle: V- Stright 180° ;
- ④ Welding Way: Blank-DIP
- ⑤ Row No.-Pin No.: 2\*XX-2\*04P~2\*20P
- ⑥ Plug the Pin & Special No.: P1-With Post ; DIP=1.80mm  
P2-With Post ; DIP=3.50mm  
P-With Post;DIP=3.10mm
- ⑦ Material: 4T-PA4T 94V-0
- ⑧ Plating Category: SW-Matte Tin Plating  
Sn: 100u" Min ; Ni: 50u" Min
- ⑨ Color : N-Natural

Dim"L"	2020WV-2*XXP	3.10
	2020WV-2*XXP1	1.80
	2020WV-2*XXP2	3.50



Recommended P.C.B Layout  
General Tolerance±0.05



8P~14P Without Guideway  
16P~40P With Guideway

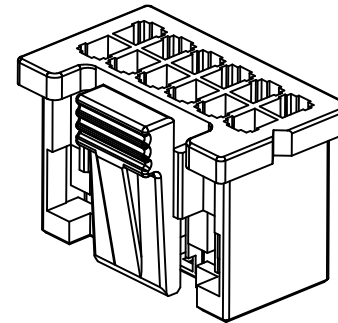
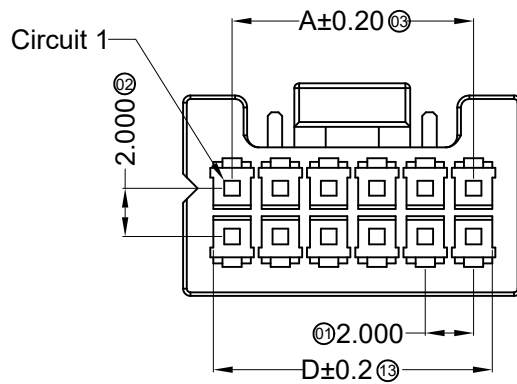
Scale: 1/0.5

Poles	Dimensions (mm)		Poles	Dimensions (mm)	
	A	B		A	B
2*02	2.00	6.00	2*12	22.00	26.00
2*03	4.00	8.00	2*13	24.00	28.00
2*04	6.00	10.00	2*14	26.00	30.00
2*05	8.00	12.00	2*15	28.00	32.00
2*06	10.00	14.00	2*16	30.00	34.00
2*07	12.00	16.00	2*17	32.00	36.00
2*08	14.00	18.00	2*18	34.00	38.00
2*09	16.00	20.00	2*19	36.00	40.00
2*10	18.00	22.00	2*20	38.00	42.00
2*11	20.00	24.00			

2020WV-2*XXP-4TSWN	PA4T UL 94V-0	Brass	Tin-Plated	2020H
PART NO	Material	Material(Pin)	Finish(Pin)	Mates With ADZL Housing

				GENERAL TOLERANCE				PART NO. 2020WV-2*XXPX-4TSWN				
				X ±0.30				TITLE 2.00mm Crimp Style Connector				
				.XX ±0.20				APPROVAL Ken				
				.XXX ±0.10				CHECK Zhao Hong				
				PROJECT				DRAWN Allen				
DATE	OLD REV	NEW REV	ECN	DESCRIPTION	CHECK	APPROVAL	2017/02/11	DATA	UNIT MM	SCALE 1:1	NUMBER 8	REV

ADZL 东莞市思量连接器有限公司  
DONGGUAN ADZL CONNECTORS CO.,LTD.



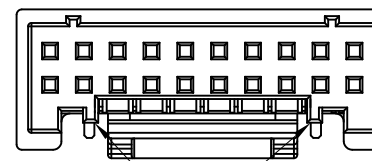
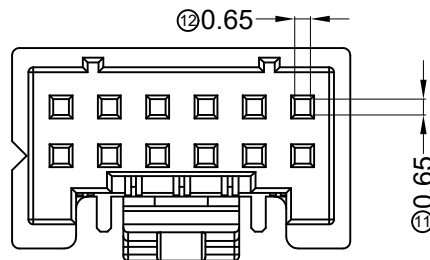
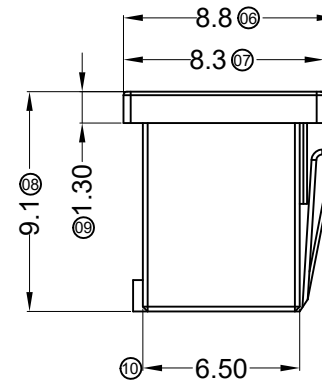
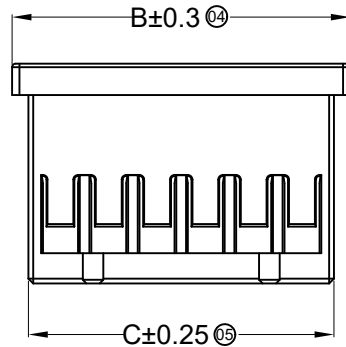
■ Specifications :

- Voltage rating: 250V AC / DC
- Current rating: 3A AC / DC
- Withstanding voltage: 800V AC/minute
- Temperature range: -25°C~+85°C
- Insulation resistance:  $\geq 1000M\Omega$
- Contact resistance:  $\leq 10m\Omega$
- After environmental testing:  $\leq 20m\Omega$

2020 H X-2\*XX X-N0 HF

① ② ③ ④ ⑤ ⑥ ⑦

- ① Series No.
- ② Category: H-HSG
- ③ Appearance type: Blank-Ordinary
- ④ Row No.-Pin No.: 2\*XX-2\*04P~2x20P
- ⑤ Plug the Pin & Special No.: Blank-Ordinary
- ⑥ Material : N0-PA66 94V-0
- ⑦ HF-Halogen Free



8P~14P Without Guide bulge  
16P~40P With Guide bulge

Scale: 1/0.8

Poles	Dimensions (mm)				Poles	Dimensions (mm)			
	A	B	C	D		A	B	C	D
2*02	2.00	6.00	4.65	3.55	2*12	22.00	26.00	24.65	23.55
2*03	4.00	8.00	6.65	5.55	2*13	24.00	28.00	26.65	25.55
2*04	6.00	10.00	8.65	7.55	2*14	26.00	30.00	28.65	27.55
2*05	8.00	12.00	10.65	9.55	2*15	28.00	32.00	30.65	29.55
2*06	10.00	14.00	12.65	11.55	2*16	30.00	34.00	32.65	31.55
2*07	12.00	16.00	14.65	13.55	2*17	32.00	36.00	34.65	33.55
2*08	14.00	18.00	16.65	15.55	2*18	34.00	38.00	36.65	35.55
2*09	16.00	20.00	18.65	17.55	2*19	36.00	40.00	38.65	37.55
2*10	18.00	22.00	20.65	19.55	2*20	38.00	42.00	40.65	39.55
2*11	20.00	24.00	22.65	21.55					

2020H-2*XX-N0HF	PA66 UL 94V-0	2020T	2020W
PART NO	Material	Mates With ADZL Terminal	Mates With ADZL Wafer

DATE	OLD REV	NEW REV	ECN	DESCRIPTION	CHECK	APPROVAL

GENERAL TOLERANCE

.X ±0.30

.XX ±0.20

.XXX ±0.10



 东莞市思量连接器有限公司  
DONGGUAN ADZL CONNECTORS CO.,LTD.

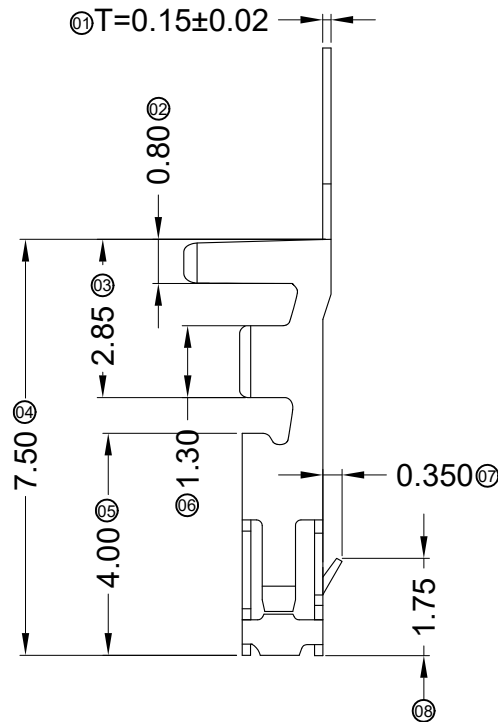
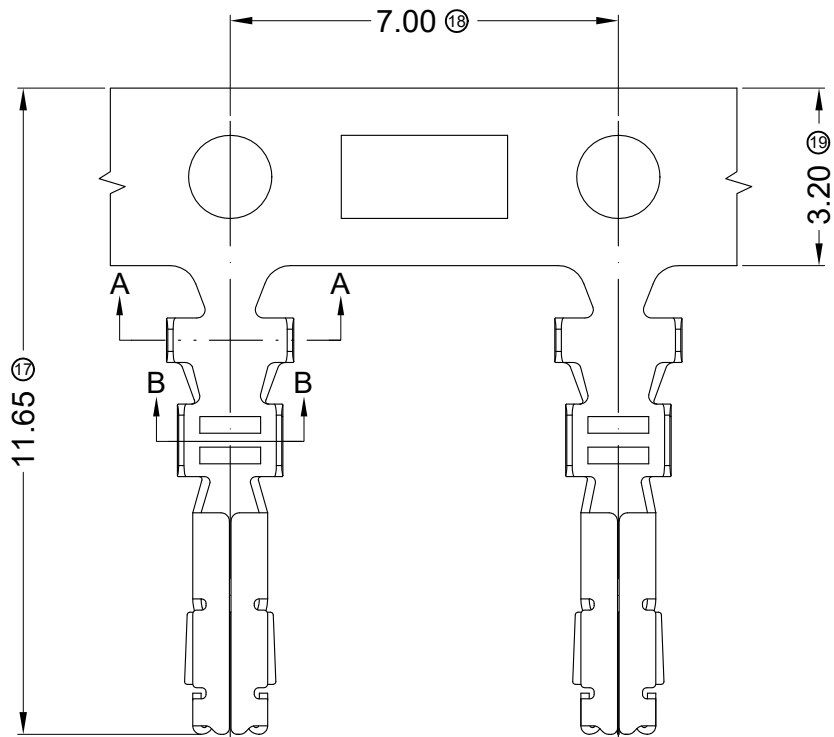
APPROVAL CHECK DRAWN DATA

Ken Zhao Hong Allen 2017/02/11

PART NO. 2020H-2\*XX-N0HF

TITLE 2.00mm Crimp Style Connector

UNIT MM	SCALE 1:1	NUMBER	REV
---------	-----------	--------	-----

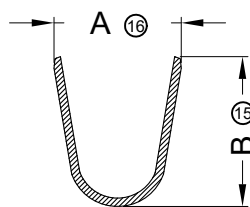


■ Specifications :

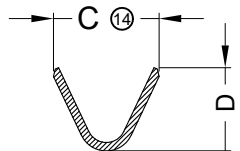
- Voltage rating: 250V AC / DC
- Current rating: 3A AC / DC
- Withstanding voltage: 800V AC/minute
- Temperature range: -25°C~+85°C
- Insulation resistance: ≥1000MΩ
- Contact resistance: ≤10mΩ
- After environmental testing: ≤20mΩ

2020 T X-P SN X - X  
 ① ② ③ ④ ⑤ ⑥ ⑦

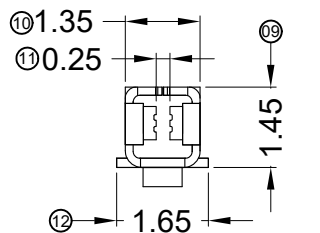
- ① Series Number
- ② Category: T-Terminal
- ③ Appearance type:
- ④ Blank-Ordinary; L-Low feet
- ⑤ Material: P-Phosphor bronze
- ⑥ Plating style: G01-Contact Gold 1u"G/F  
SN-Bright Tin Plating
- ⑦ Blank-Stamping before plating  
Mold No./Mark/Special No.



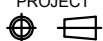
Section A-A  
Scale:1:1



Section B-B  
Scale:1:1



2020T-PXXX	Phosphor bronze	AWG#22~26	1.50mm(Max)	2.30	2.70	1.90	1.50
2020TL-PXXX		AWG#28~24	1.00mm(Max)	2.20	2.40	1.65	1.30
P/N	Material	core of conductorφ	insulated leatherØ	DIM:A	DIM:B	DIM:C	DIM:D

DATE	OLD REV	NEW REV	ECN	DESCRIPTION	CHECK	APPROVAL	PROJECT
							

GENERAL TOLERANCE  
 .X ±0.30  
 .XX ±0.20  
 .XXX ±0.10

 东莞市思量连接器有限公司  
 DONGGUAN ADZL CONNECTORS CO.,LTD.

APPROVAL	CHECK	DRAWN	DATA
Ken	Zhao Hong	Allen	2021/08/25

PART NO. 2020TX-PXX			
TITLE 2.00mm Crimp Style Connectors			
UNIT MM	SCALE 1:1	NUMBER	REV