

Recommended P.C.B Layout
General Tolerance ± 0.05

■ Specifications :

- Voltage rating: 50V AC / DC
- Current rating: 1A AC / DC
- Withstanding voltage: 500V AC/minute
- Temperature range: $-25^{\circ}\text{C} \sim +85^{\circ}\text{C}$
- Insulation resistance: $\geq 500\text{M}\Omega$
- Contact resistance: $\leq 20\text{m}\Omega$
- After environmental testing: $\leq 30\text{m}\Omega$
- Mates With ADZL Housing :1502H

1502 W R S-XX X-XX XX XX -01
① ② ③ ④ ⑤ ⑥ ⑦ ⑧ ⑨ ⑩

- ① Series No.
- ② Category: W-wafer
- ③ Welding Board Angle: R- Right Angle 90°
- ④ Welding Way: S-SMT
- ⑤ Row No.-Pin No.: XX-02P~15P
- ⑥ Plug the Pin & Special No.:
- ⑦ Material: 6T -PA6T 94V-0 ; 9T- PA9T 94V-0
- ⑧ Planting Category: SN-Bright tin plating ;
SW-Matte Tin plating
- ⑨ Color: Blank-Natural Color
- ⑩ Mold No./Mark/Special No.

Poles	Dimensions(mm)			Poles	Dimensions(mm)		
	A	B	C		A	B	C
02	1.50	6.00	3.60	09	12.00	16.50	14.10
03	3.00	7.50	5.10	10	13.50	18.00	15.60
04	4.50	9.00	6.60	11	15.00	19.50	17.10
05	6.00	10.50	8.10	12	16.50	21.00	18.60
06	7.50	12.00	9.60	13	18.00	22.50	20.10
07	9.00	13.50	11.10	14	19.50	24.00	21.60
08	10.50	15.00	12.60	15	21.00	25.50	23.10

GENERAL TOLERANCE

.X ± 0.30
.XX ± 0.20
.XXX ± 0.10

 东莞市思量连接器有限公司
DONGGUAN ADZL CONNECTORS CO.,LTD.


APPROVAL CHECK DRAWN DATA

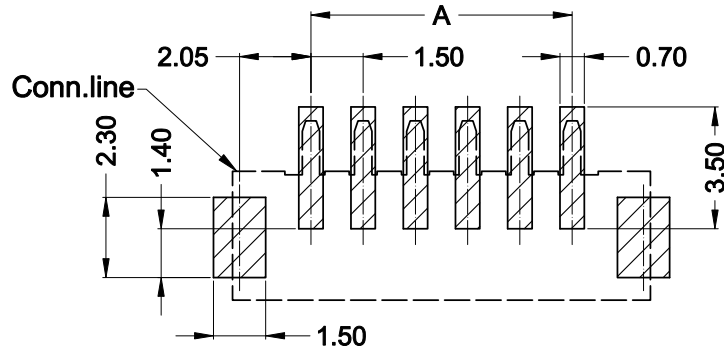
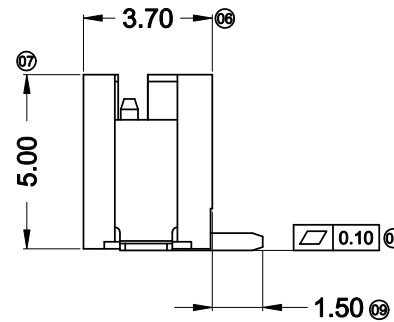
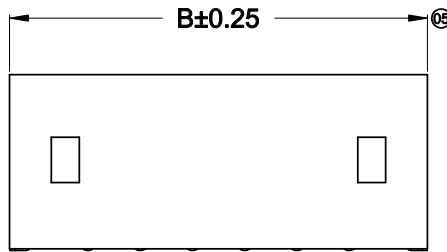
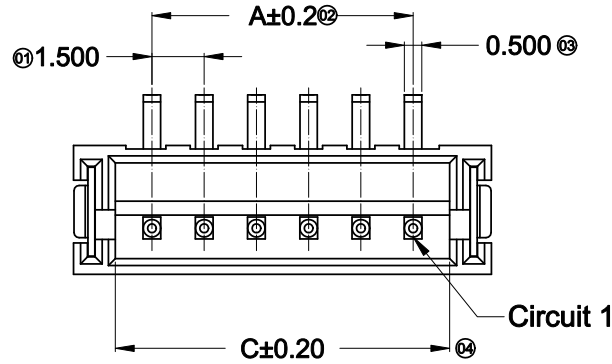
Ken Zhao Hong Allen 2018/05/28

PART NO. 1502WRS-XX-9TXX-01

TITLE 1.50mm Crimp Style Connectors

UNIT SCALE NUMBER REV
MM 1 : 1

DATE	OLD REV	NEW REV	ECN	DESCRIPTION	CHECK	APPROVAL	PROJECT
							



Recommended P.C.B Layout
General Tolerance ± 0.05

■ Specifications :

- Voltage rating: 50V AC / DC
- Current rating: 1A AC / DC
- Withstanding voltage: 500V AC/minute
- Temperature range: $-25^{\circ}\text{C} \sim +85^{\circ}\text{C}$
- Insulation resistance: $\geq 500\text{M}\Omega$
- Contact resistance: $\leq 20\text{m}\Omega$
- After environmental testing: $\leq 30\text{m}\Omega$
- Mates With ADZL Housing :1502H

1502 W V S-XX X-XX SW-01

① ② ③ ④ ⑤ ⑥ ⑦ ⑧ ⑨

- ① Series No.
- ② Category: W-wafer
- ③ Welding Board Angle: V- Straight 180°
- ④ Welding Way: S-SMT
- ⑤ Row No.-Pin No.: XX-02P~15P
- ⑥ Plug the Pin & Special No.:
- ⑦ Planting Category: SN-Bright tin plating ; SW-Matte Tin plating
- ⑧ Color: Blank-Natural Color
- ⑨ Mold No./Mark/Special No.

Poles	Dimensions(mm)			Poles	Dimensions(mm)		
	A	B	C		A	B	C
02	1.50	6.00	3.60	09	12.00	16.50	14.10
03	3.00	7.50	5.10	10	13.50	18.00	15.60
04	4.50	9.00	6.60	11	15.00	19.50	17.10
05	6.00	10.50	8.10	12	16.50	21.00	18.60
06	7.50	12.00	9.60	13	18.00	22.50	20.10
07	9.00	13.50	11.10	14	19.50	24.00	21.60
08	10.50	15.00	12.60	15	21.00	25.50	23.10

GENERAL TOLERANCE
X ± 0.30
.XX ± 0.20
.XXX ± 0.10

东莞市思量连接器有限公司
DONGGUAN ADZL CONNECTORS CO.,LTD.

PART NO. 1502WVS-XX-9TSW-01

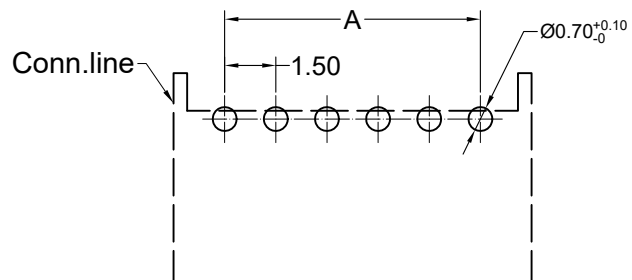
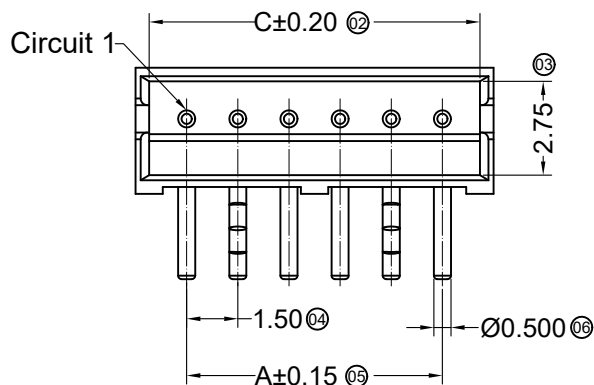
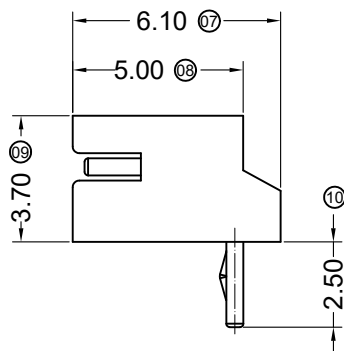
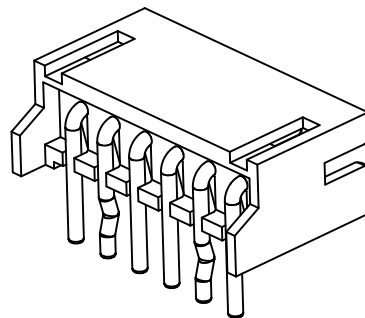
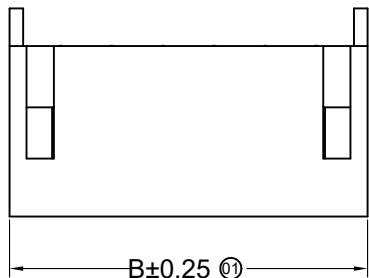
TITLE 1.50mm Crimp Style Connectors

PROJECT

APPROVAL	CHECK	DRAWN	DATA
Ken	Zhao Hong	Allen	2018/05/28

UNIT	SCALE	NUMBER	REV
MM	1:1		

DATE	OLD REV	NEW REV	ECN	DESCRIPTION	CHECK	APPROVAL
------	---------	---------	-----	-------------	-------	----------



Recommended P.C.B Layout
General Tolerance ± 0.05

■ Specifications :

- Voltage rating: 50V AC / DC
- Current rating: 1A AC / DC
- Withstanding voltage: 500V AC/minute
- Temperature range: -25°C~+85°C
- Insulation resistance: $\geq 500M\Omega$
- Contact resistance: $\leq 20m\Omega$
- After environmental testing: $\leq 30m\Omega$
- Mates With ADZL Housing :1502H

1502 W R X-XX K1-N0 SN XX
① ② ③ ④ ⑤ ⑥ ⑦ ⑧ ⑨

- ① Series No.
- ② Category: W-wafer
- ③ Welding Board Angle: R- Right Angle 90°
- ④ Welding Way: Blank-DIP
- ⑤ Row No.-Pin No.: XX-02P~15P
- ⑥ Plug the Pin & Special No.: K1-Kink Slotless
- ⑦ Material: N0-PA66 94V-0
- ⑧ Planting Category: SN-Bright tin plating
- ⑨ Color: Blank-Natural Color

Poles	Dimensions(mm)			Poles	Dimensions(mm)		
	A	B	C		A	B	C
02	1.50	4.50	3.70	09	12.00	15.00	14.20
03	3.00	6.00	5.20	10	13.50	16.50	15.70
04	4.50	7.50	6.70	11	15.00	18.00	17.20
05	6.00	9.00	8.20	12	16.50	19.50	18.70
06	7.50	10.50	9.70	13	18.00	21.00	20.20
07	9.00	12.00	11.20	14	19.50	22.50	21.70
08	10.50	13.50	12.70	15	21.00	24.00	23.20

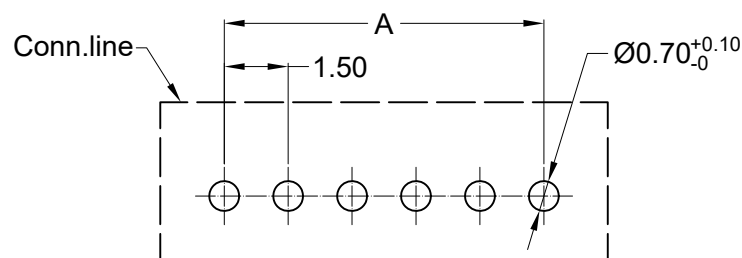
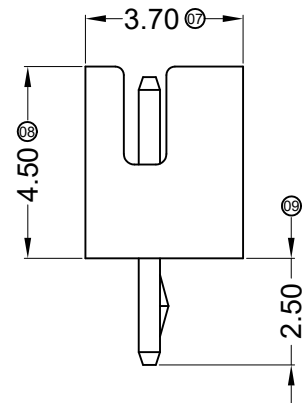
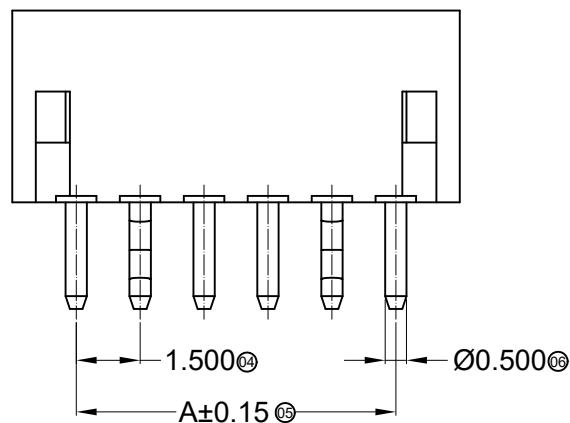
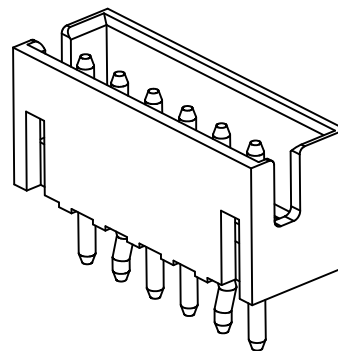
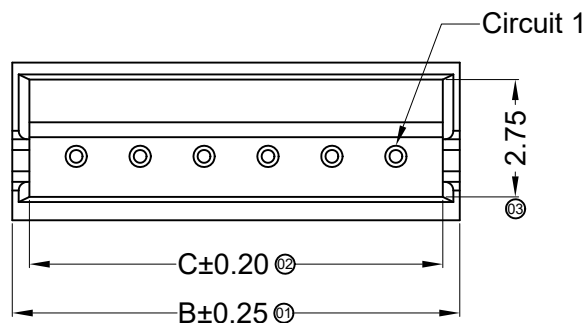
DATE	OLD REV	NEW REV	ECN	DESCRIPTION	CHECK	APPROVAL

GENERAL TOLERANCE
.X ± 0.30
.XX ± 0.20
.XXX ± 0.10

 东莞市思量连接器有限公司
DONGGUAN ADZL CONNECTORS CO.,LTD.

APPROVAL	CHECK	DRAWN	DATA
Ken	Zhao Hong	Allen	2017/05/28

PART NO. 1502WR-XXXK1-N0SN			
TITLE 1.50mm Crimp Style Connectors			
UNIT MM	SCALE 1:1	NUMBER	REV



Recommended P.C.B Layout
General Tolerance±0.05

■ Specifications :

- Voltage rating: 50V AC / DC
- Current rating: 1A AC / DC
- Withstanding voltage: 500V AC/minute
- Temperature range: -25°C~+85°C
- Insulation resistance: ≥500MΩ
- Contact resistance: ≤20mΩ
- After environmental testing: ≤30mΩ
- Mates With ADZL Housing :1502H

1502 W V X-XX K1-N0 SN XX

① ② ③ ④ ⑤ ⑥ ⑦ ⑧ ⑨

- ① Series No.
- ② Category: W-wafer
- ③ Welding Board Angle: V- Straight 180°
- ④ Welding Way: Blank-DIP
- ⑤ Row No.-Pin No.: XX-02P~12P
- ⑥ Plug the Pin & Special No.: K1- Kink Slotless
- ⑦ Material: N0-PA66 94V-0
- ⑧ Planting Category: SN-Bright tin plating
- ⑨ Color: Blank-Natural Color

Poles	Dimensions(mm)			Poles	Dimensions(mm)		
	A	B	C		A	B	C
02	1.50	4.50	3.70	09	12.00	15.00	14.20
03	3.00	6.00	5.20	10	13.50	16.50	15.70
04	4.50	7.50	6.70	11	15.00	18.00	17.20
05	6.00	9.00	8.20	12	16.50	19.50	18.70
06	7.50	10.50	9.70	13	18.00	21.00	20.20
07	9.00	12.00	11.20	14	19.50	22.50	21.70
08	10.50	13.50	12.70	15	21.00	24.00	23.20

DATE	OLD REV	NEW REV	ECN	DESCRIPTION	CHECK	APPROVAL

GENERAL TOLERANCE
.X ±0.30
.XX ±0.20
.XXX ±0.10

 东莞市思量连接器有限公司
DONGGUAN ADZL CONNECTORS CO.,LTD.

APPROVAL	CHECK	DRAWN	DATA
Ken	Zhao Hong	Allen	2017/05/28

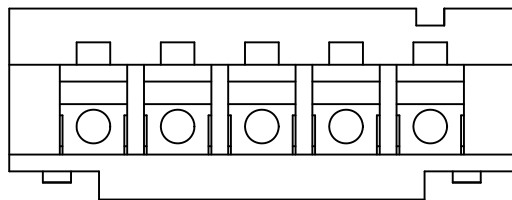
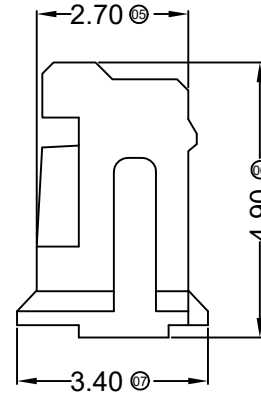
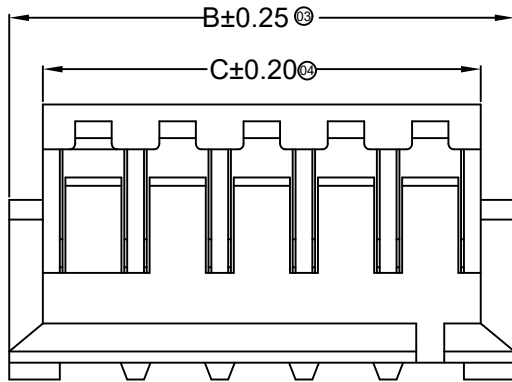
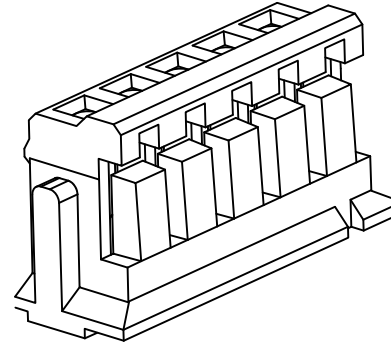
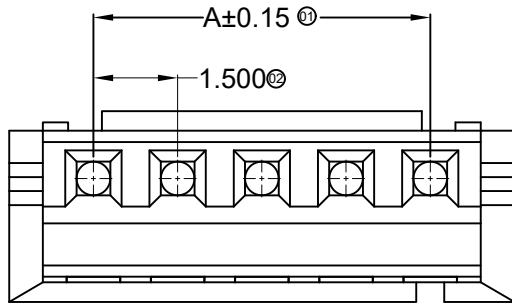
PART NO. 1502WV-XXXK1-N0SN			
TITLE 1.50mm Crimp Style Connectors			
UNIT MM	SCALE 1:1	NUMBER	REV



RoHS

WWW.ADZLCONN.COM

TEL:0769-82285488



■ Specifications :

- Voltage rating: 50V AC / DC
- Current rating: 1A AC / DC
- Withstanding voltage: 500V AC/minute
- Temperature range: -25°C~+85°C
- Insulation resistance: ≥500MΩ
- Contact resistance: ≤20mΩ
- After environmental testing: ≤30mΩ

1502 H X-XX X-N0 XX - 02

① ② ③ ④ ⑤ ⑥ ⑦ ⑧

- ① Series No.
- ② Category: H-HSG
- ③ Welding Board Angle: Blank-ordinary
- ④ Row No.-Pin No.: XX-02P~15P
- ⑤ Plug the Pin & special No.:
- ⑥ Material: N0-PA66 94V-0
- ⑦ Color: Blank-natural color
- ⑧ Mold No./Mark/Special No.

Poles	Dimensions(mm)			Poles	Dimensions(mm)		
	A	B	C		A	B	C
02	1.50	4.50	3.30	09	12.00	15.00	13.80
03	3.00	6.00	4.80	10	13.50	16.50	15.30
04	4.50	7.50	6.30	11	15.00	18.00	16.80
05	6.00	9.00	7.80	12	16.50	19.50	18.30
06	7.50	10.50	9.30	13	18.00	21.00	19.80
07	9.00	12.00	10.80	14	19.50	22.50	21.30
08	10.50	13.50	12.30	15	21.00	24.00	22.80

1502H-XX-N0-02	PA66 UL 94V-0	1502T-02	1502W
PART NO	Material	Suitable ADZL Terminal	Mates With ADZL Wafer

DATE	OLD REV	NEW REV	ECN	DESCRIPTION	CHECK	APPROVAL

GENERAL TOLERANCE	
.X	±0.30
.XX	±0.20
.XXX	±0.10
PROJECT	

ADZL 东莞市思量连接器有限公司
DONGGUAN ADZL CONNECTORS CO.,LTD.

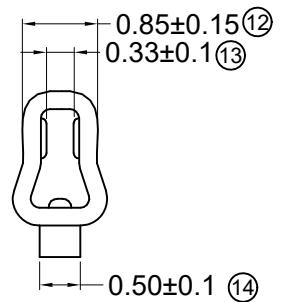
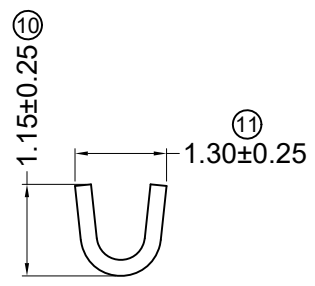
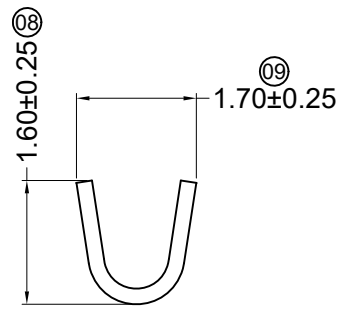
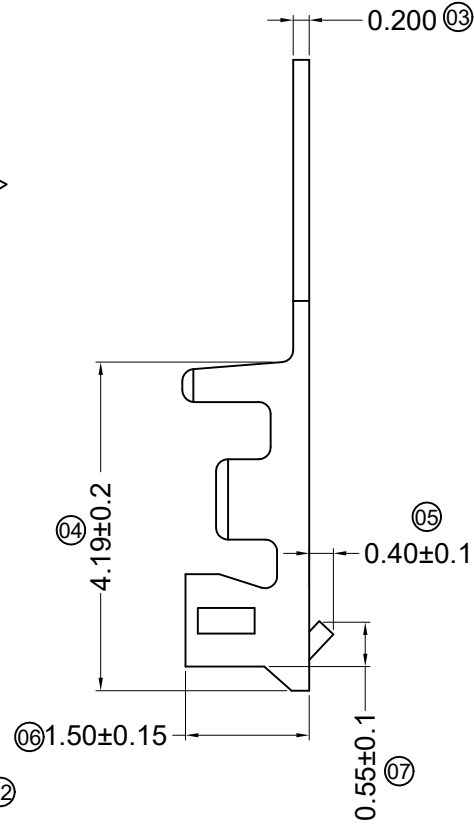
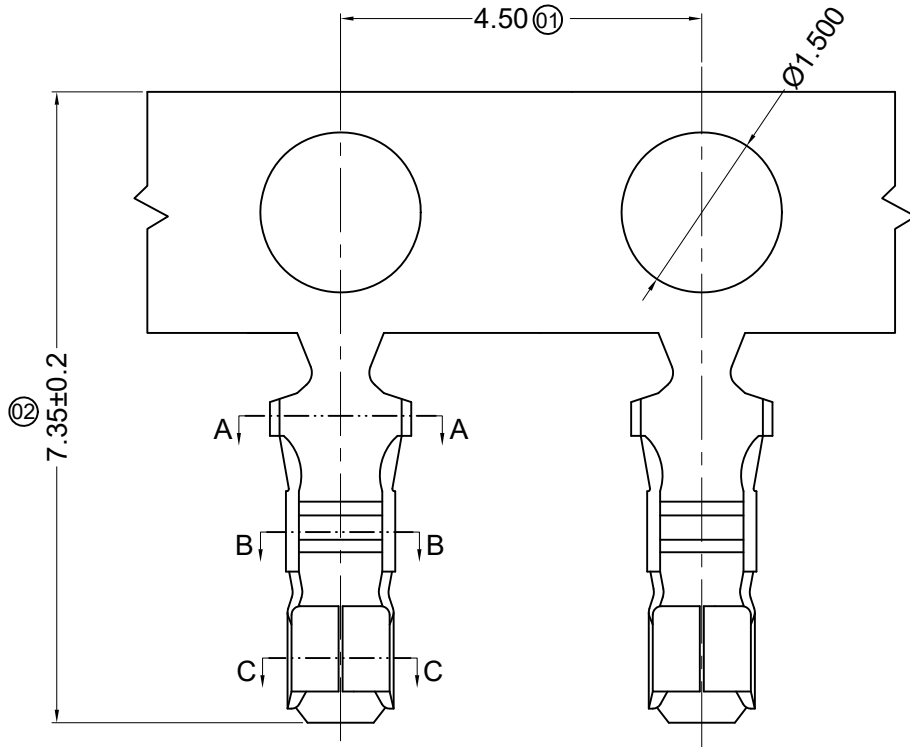
APPROVAL	CHECK	DRAWN	DATA
Ken	Zhao Hong	Allen	2020/08/24

PART NO. 1502H-XX-N0-02			
TITLE 1.50mm Crimp Style Connectors			
UNIT MM	SCALE 1:1	NUMBER	REV

RoHS

WWW.ADZLCONN.COM

TEL:0769-82285488



SECTION: A-A
SCALE: 1:1

SECTION: B-B
SCALE: 1:1

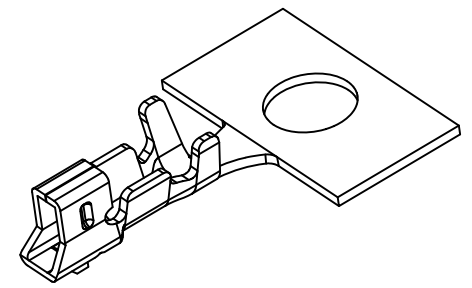
SECTION: C-C
SCALE: 1:1

■ Specifications :

- Voltage rating: 50V AC / DC
- Current rating: 1A AC / DC
- Withstanding voltage: 500V AC/minute
- Temperature range: -25°C~+85°C
- Insulation resistance: ≥500MΩ
- Contact resistance: ≤20mΩ
- After environmental testing: ≤30mΩ

1502 T X-P SN X -02
① ② ③ ④ ⑤ ⑥ ⑦

- ① Series Number
- ② Category: T-Terminal
- ③ Shape: Blank-ordinary
- ④ Material: P-Phosphor bronze
- ⑤ Plating style: SN-Bright tin plating
- ⑥ Plating method: Blank-Stamping before plating
- ⑦ Mold No./Mark/Special No.



1502T-PSN-02	Phosphor Bronze	AWG#26-32	1.20mm(Max)	Stamping Before Plating:30u" MIN. Ni; 70u" MIN. Sn	1502H-02
PART NO	Material	Wire Range	Insulation O.D.	Finish	Used In ADZL Housing

								GENERAL TOLERANCE
								X ±0.30
								XX ±0.20
								XXX ±0.10
DATE	OLD REV	NEW REV	ECN	DESCRIPTION	CHECK	APPROVAL	PROJECT	

ADZL 东莞市思量连接器有限公司
DONGGUAN ADZL CONNECTORS CO.,LTD.

APPROVAL: Ken
CHECK: Zhao Hong
DRAWN: Allen
DATA: 2023/06/20

PART NO. 1502T-PSN-02			
TITLE 1.50mm Crimp Style Connectors			
UNIT MM	SCALE 1:1	NUMBER	REV