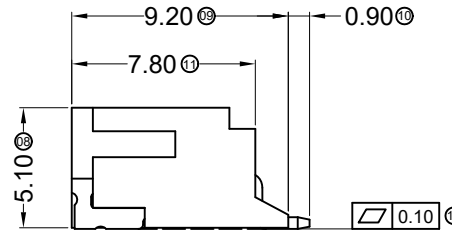
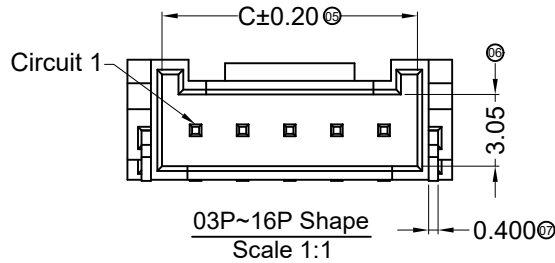


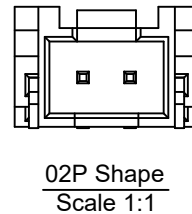
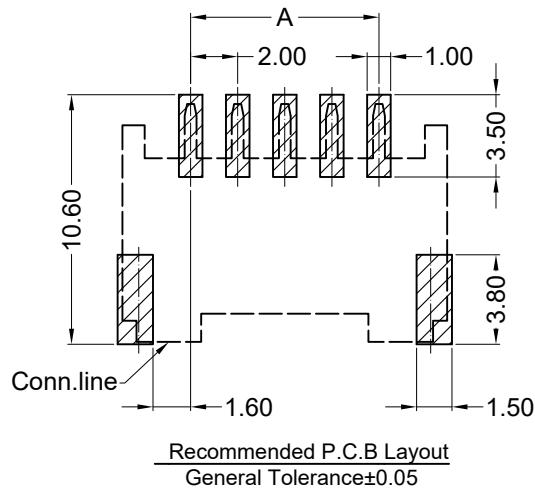
Specifications :

- Voltage rating: 250V AC / DC
- Current rating: 3A AC / DC
- Withstanding voltage: 1000V AC/minute
- Temperature range: -25°C~+85°C
- Insulation resistance: ≥1000MΩ
- Contact resistance: ≤30mΩ
- After environmental testing: ≤40mΩ

2011 W R S-XX A - LP SN XX
 ① ② ③ ④ ⑤ ⑥ ⑦ ⑧ ⑨



- ① Series No.
- ② Category: W-WAFER
- ③ Welding Board Angle: R-Right Angle 90°
- ④ Welding Way: S-SMT
- ⑤ Row No.-Pin No.: XX-02P~16P
- ⑥ Plug the Pin & Special No.: A-With Located Block
- ⑦ Material: LP -LCP UL 94V-0
- ⑧ Plating Category: SN-Bright Tin Plating
- ⑨ Color : Blank-Natural Color



Poles	Dimensions (mm)			Poles	Dimensions (mm)		
	A	B	C		A	B	C
02	2.00	7.80	4.85	10	18.00	23.80	20.85
03	4.00	9.80	6.85	11	20.00	25.80	22.85
04	6.00	11.80	8.85	12	22.00	27.80	24.85
05	8.00	13.80	10.85	13	24.00	29.80	26.85
06	10.00	15.80	12.85	14	26.00	31.80	28.85
07	12.00	17.80	14.85	15	28.00	33.80	30.85
08	14.00	19.80	16.85	16	30.00	35.80	32.85
09	16.00	21.80	18.85				

2011WRS-XXA-LPSN	LCP UL 94V-0	Brass	Phosphor Bronze	Tin-Plated	2011H-A
PART NO	Material	Material(Pin)	Material (Solder Tab)	Finish(Pin and Solder tab)	Mates WithADZL Housing

DATE	OLD REV	NEW REV	ECN	DESCRIPTION	CHECK	APPROVAL

GENERAL TOLERANCE
 .X ±0.30
 .XX ±0.20
 .XXX ±0.10

PROJECT

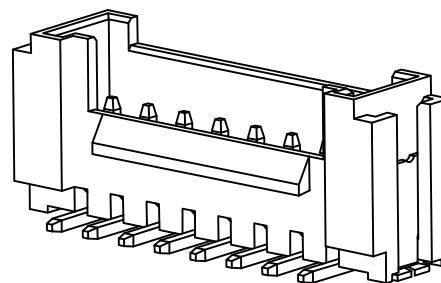
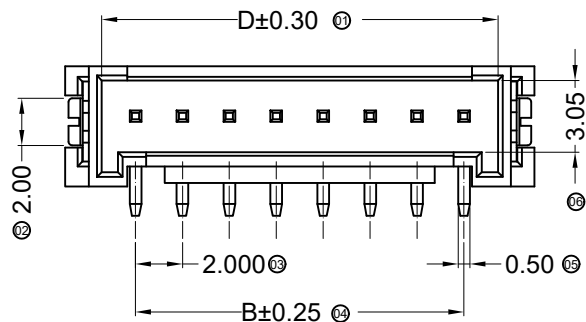
ADZL 东莞市思量连接器有限公司
 DONGGUAN ADZL CONNECTORS CO.,LTD.

APPROVAL	CHECK	DRAWN	DATA
Ken	Zhao Hong	Allen	2017/08/21

PART NO. 2011WRS-XXA-LPSN

TITLE 2.00mm Crimp Style Connector

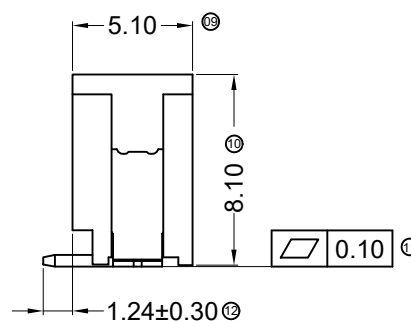
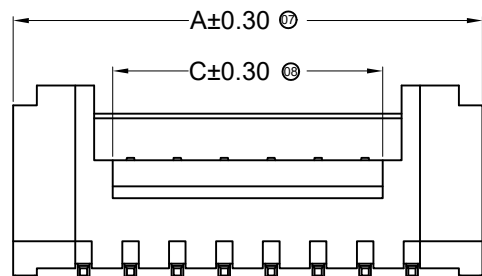
UNIT MM	SCALE 1:1	NUMBER	REV
---------	-----------	--------	-----



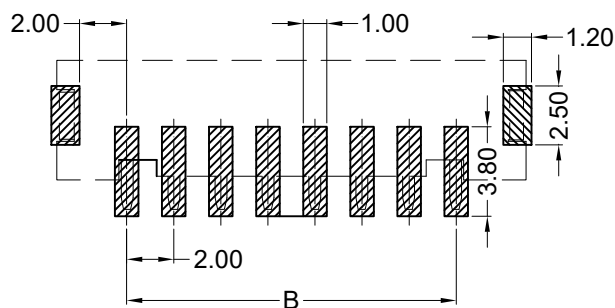
■ Specifications :

- Voltage rating: 250V AC / DC
- Current rating: 2A AC / DC
- Withstanding voltage: 800V AC/minute
- Temperature range: -25°C~+85°C
- Insulation resistance: ≥1000MΩ
- Contact resistance: ≤30mΩ
- After environmental testing: ≤40mΩ

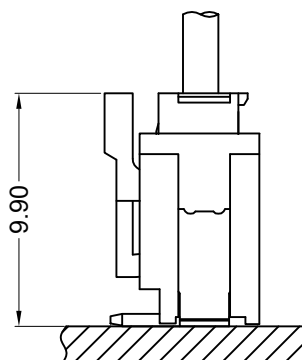
2011 W V S-XX A - LP SN XX
 ① ② ③ ④ ⑤ ⑥ ⑦ ⑧ ⑨



- ① Series No.
- ② Category: W-WAFER
- ③ Welding Board Angle: V-Straight 180°
- ④ Welding Way: S-SMT
- ⑤ Row No.-Pin No.: XX-02P~16P
- ⑥ Plug the Pin & Special No.: A-With Located Block
- ⑦ Material: LP -LCP UL 94V-0
- ⑧ Plating Category: SN-Bright Tin Plating
- ⑨ Color : Blank-Natural Color



Recommended P.C.B Layout
 General Tolerance±0.05



Poles	Dimensions (mm)				Poles	Dimensions (mm)			
	A	B	C	D		A	B	C	D
02	7.80	2.00	2.70	4.90	10	23.80	18.00	15.50	20.90
03	9.80	4.00	2.70	6.90	11	25.80	20.00	15.50	22.90
04	11.80	6.00	3.50	8.90	12	27.80	22.00	15.50	24.90
05	13.80	8.00	5.50	10.90	13	29.80	24.00	15.50	26.90
06	15.80	10.00	7.50	12.90	14	31.80	26.00	15.50	28.90
07	17.80	12.00	9.50	14.90	15	33.80	28.00	15.50	30.90
08	19.80	14.00	11.50	16.90	16	35.80	30.00	15.50	32.90
09	21.80	16.00	13.50	18.90					

2011WVS-XXA-LPSN	LCP UL 94V-0	Brass	Phosphor Bronze	Tin-Plated	2011H-A
PART NO	Material	Material(Pin)	Material (Solder Tab)	Finish(Pin and Solder tab)	Mates With ADZL Housing

DATE	OLD REV	NEW REV	ECN	DESCRIPTION	CHECK	APPROVAL

GENERAL TOLERANCE
 .X ±0.30
 .XX ±0.20
 .XXX ±0.10



 东莞市思量连接器有限公司
 DONGGUAN ADZL CONNECTORS CO.,LTD.

APPROVAL	CHECK	DRAWN	DATA
Ken	Zhao Hong	Allen	2017/09/27

PART NO. 2011WVS-XXA-LPSN			
TITLE 2.00mm Crimp Style Connector			
UNIT MM	SCALE 1:1	NUMBER	REV

■ Specifications :

- Voltage rating: 250V AC / DC
- Current rating: 3A AC / DC
- Withstanding voltage: 1000V AC/minute
- Temperature range: -25°C~+85°C
- Insulation resistance: ≥1000MΩ
- Contact resistance: ≤30mΩ
- After environmental testing: ≤40mΩ

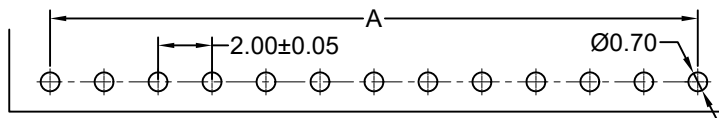
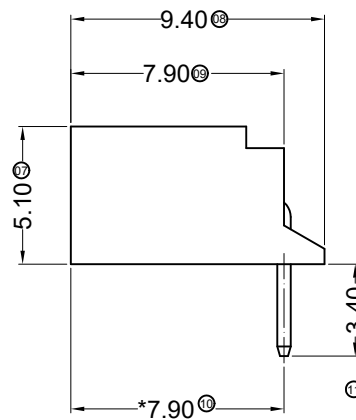
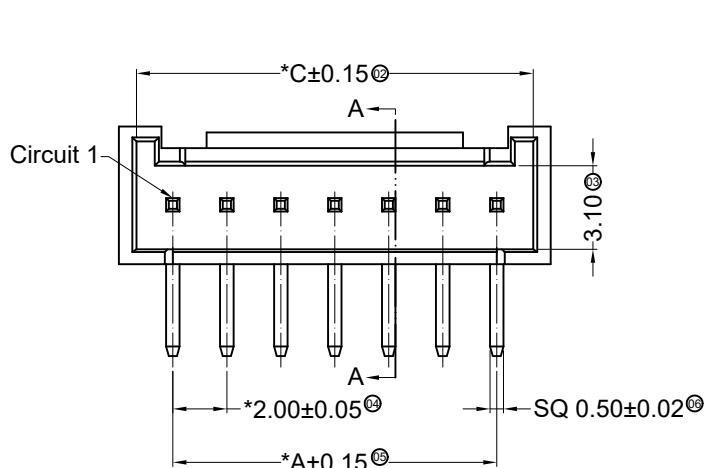
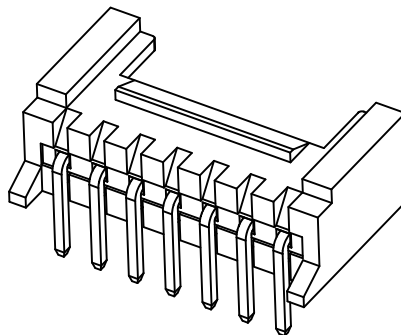
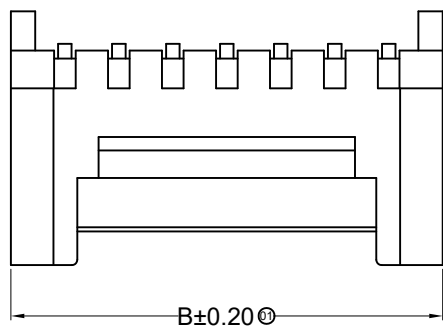
2011 W R X-XX A -N0 SN XX -01

① ② ③ ④ ⑤ ⑥ ⑦ ⑧ ⑨ ⑩

- ① Series No.
- ② Category: W-WAFER
- ③ Welding Board Angle: R-90°
- ④ Welding Way: Blank-DIP
- ⑤ Row No.-Pin No.: XX-Single Row
- ⑥ Plug the Pin & Special No. :
A-With Located block
- ⑦ Material: N0 -PA66 94V-0
- ⑧ Plating Category:
SN-Bright Tin Plating (70-120u")
- ⑨ Color : Blank-Natural Color
- ⑩ 01-Die No


Poles	Dimensions (mm)			Poles	Dimensions (mm)		
	A	B	C		A	B	C
02	2.00	6.00	4.75	10	18.00	22.00	20.75
03	4.00	8.00	6.75	11	20.00	24.00	22.75
04	6.00	10.00	8.75	12	22.00	26.00	24.75
05	8.00	12.00	10.75	13	24.00	28.00	26.75
06	10.00	14.00	12.75	14	26.00	30.00	28.75
07	12.00	16.00	14.75	15	28.00	32.00	30.75
08	14.00	18.00	16.75	16	30.00	34.00	32.75
09	16.00	20.00	18.75				

2011WR-XXA-N0SN-01	Nylon 66 UL 94V-0	Brass	Tin-Plated	2011H
PART NO	Material	Material(Pin)	Finish(Pin)	Mates With ADZL Housing



PCB Layout

GENERAL TOLERANCE
 .X ±0.30
 .XX ±0.20
 .XXX ±0.10

 东莞市思量连接器有限公司
 DONGGUAN ADZL CONNECTORS CO.,LTD.

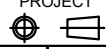
PART NO. 2011WR-XXA-N0SN-01

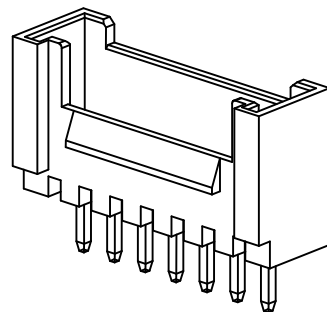
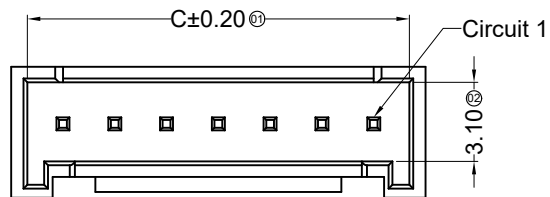
TITLE 2.00 mm Crimp Style Connectors

APPROVAL CHECK DRAWN DATA

Ken Zhao Hong Allen 2017/04/01

UNIT SCALE NUMBER REV
 MM 1:1

DATE	OLD REV	NEW REV	ECN	DESCRIPTION	CHECK	APPROVAL	PROJECT
							

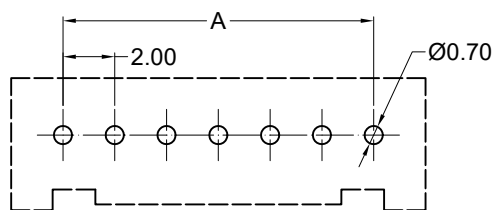
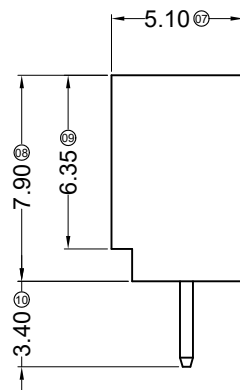
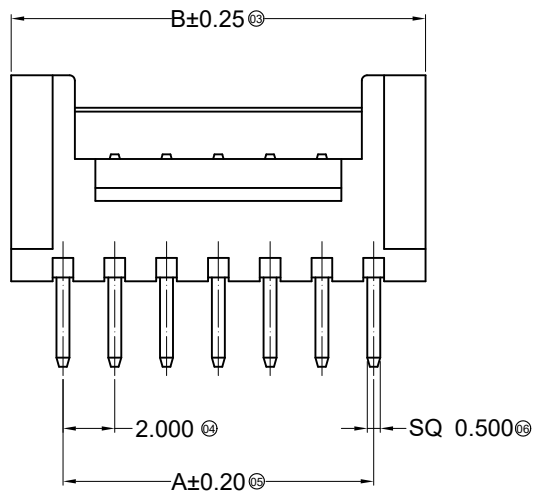


Specifications :

- Voltage rating: 250V AC / DC
- Current rating: 3A AC / DC
- Withstanding voltage: 1000V AC/minute
- Temperature range: -25°C~+85°C
- Insulation resistance: ≥1000MΩ
- Contact resistance: ≤30mΩ
- After environmental testing: ≤40mΩ

2011 W V X-XX A -XX XX XX-01
① ② ③ ④ ⑤ ⑥ ⑦ ⑧ ⑨ ⑩

- ① Series No.
- ② Category: W-WAFER
- ③ Welding Board Angle: V-Straight 180°
- ④ Welding Way: Blank-DIP
- ⑤ Row No.-Pin No.: XX-02P~16P
- ⑥ Plug the Pin & Special No.: A-Without Baffle ;
- ⑦ Material: NO -PA66 UL 94V-0; LCP 94V-0
- ⑧ Plating Category: SN-Bright Tin Plating; V01-Gold Flash; SW-Matte Tin Plating
- ⑨ Color : Blank-Natural Color;BE-Beige;BK-Black;BL-Blue
- ⑩ 01-Die No





Conn.line

Recommended P.C.B Layout
General Tolerance±0.05

Poles	Dimensions (mm)			Poles	Dimensions (mm)		
	A	B	C		A	B	C
02	2.00	6.00	4.70	10	18.00	22.00	20.70
03	4.00	8.00	6.70	11	20.00	24.00	22.70
04	6.00	10.00	8.70	12	22.00	26.00	24.70
05	8.00	12.00	10.70	13	24.00	28.00	26.70
06	10.00	14.00	12.70	14	26.00	30.00	28.70
07	12.00	16.00	14.70	15	28.00	32.00	30.70
08	14.00	18.00	16.70	16	30.00	34.00	32.70
09	16.00	20.00	18.70				

2011WV-XXA-N0SN-01	PA 66 UL 94V-0	Copper alloy	Tin-Plated	2011H
PART NO	Material	Material(Pin)	Finish(Pin)	Mates With ADZL Housing

DATE	OLD REV	NEW REV	ECN	DESCRIPTION	CHECK	APPROVAL

GENERAL TOLERANCE	
.X	±0.30
.XX	±0.20
.XXX	±0.10
PROJECT	
	

 东莞市思量连接器有限公司
DONGGUAN ADZL CONNECTORS CO.,LTD.

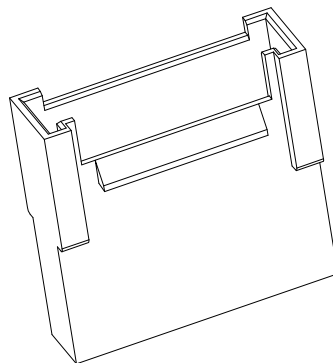
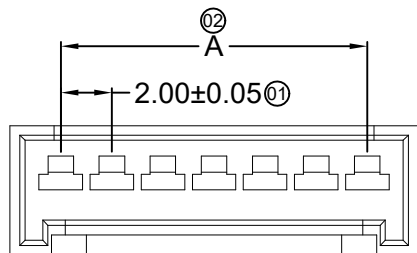
APPROVAL	CHECK	DRAWN	DATA
Ken	Zhao Hong	Allen	2016/11/11

PART NO. 2011WV-XXA-N0XX-01			
TITLE 2.00mm Crimp Style Connectors			
UNIT MM	SCALE 1:1	NUMBER	REV

RoHS

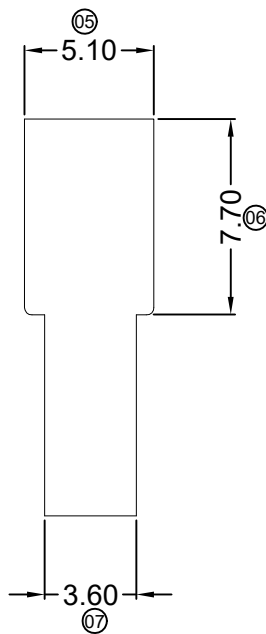
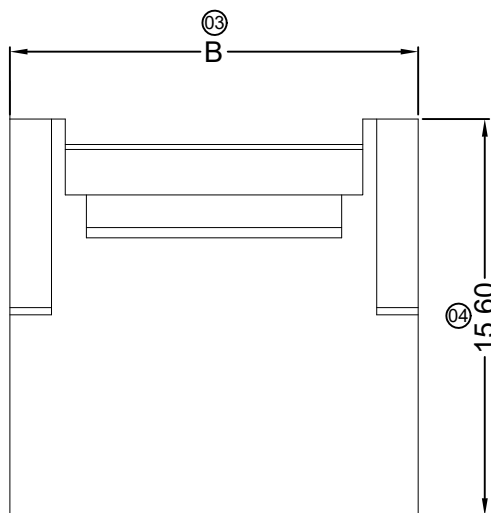
WWW.ADZLCONN.COM

TEL:0769-82285488



■ Specifications :

- Voltage rating: 250V AC / DC
- Current rating: 3A AC / DC
- Withstanding voltage: 1000V AC/minute
- Temperature range: -25°C~+85°C
- Insulation resistance: ≥1000MΩ
- Contact resistance: ≤30mΩ
- After environmental testing: ≤40mΩ



2011 HF X-XX A-N0 XX XX
 ① ② ③ ④ ⑤ ⑥ ⑦ ⑧

- ① Series No.
- ② Category: HF-HSG
- ③ Appearance type: Blank-Ordinary
- ④ Row No.-Pin No.: XX-02P~16P
- ⑤ Plug the Pin & Special No.: A-With Lock
- ⑥ Material : N0-PA66 UL 94V-0
- ⑦ Color : Blank-Natural Color
BK-Black
- ⑧ Whether containing halogen:
HF-Halogen free
Blank-Containing halogen

Poles	Dimensions mm	
	A	B
2	2.00	6.00
3	4.00	8.00
4	6.00	10.00
5	8.00	12.00
6	10.00	14.00
7	12.00	16.00
8	14.00	18.00
9	16.00	20.00
10	18.00	22.00
11	20.00	24.00
12	22.00	26.00
13	24.00	28.00
14	26.00	30.00
15	28.00	32.00
16	30.00	34.00

2011HF-XXA-N0	PA 66 UL 94V-0	2011TM-PXXX-A	2011H-XXA-N0
PART NO	Material	Suitable ADZL Terminal	Mates With ADZL Wafer

DATE	OLD REV	NEW REV	ECN	DESCRIPTION	CHECK	APPROVAL

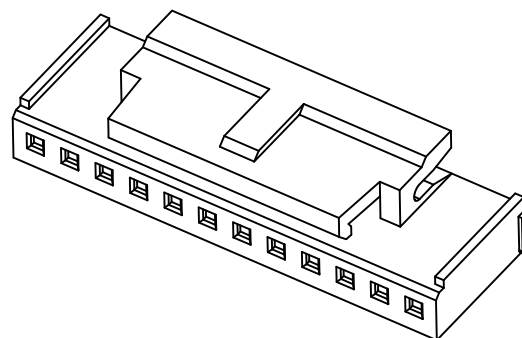
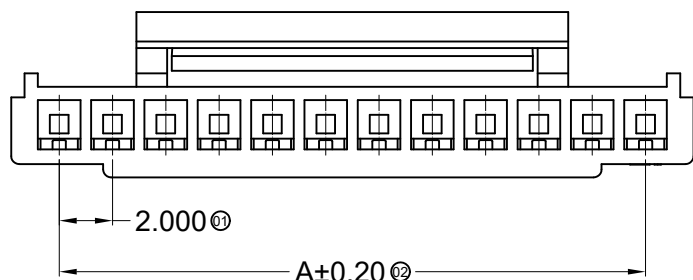
GENERAL TOLERANCE
 .X ±0.30
 .XX ±0.20
 .XXX ±0.10

ADZL 东莞市思量连接器有限公司
 DONGGUAN ADZL CONNECTORS CO.,LTD.

APPROVAL	CHECK	DRAWN	DATA
Ken	Zhao Hong	Allen	2020/08/20

PART NO. 2011HF-XXA-N0			
TITLE 2.00mm Crimp Style Connector			
UNIT MM	SCALE 1:1	NUMBER	REV





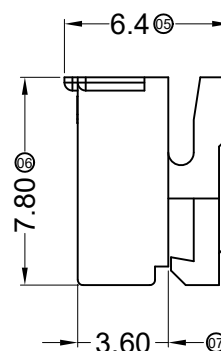
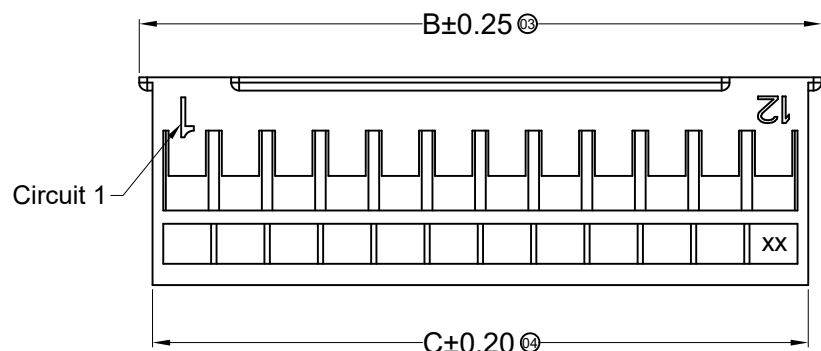
■ Specifications :

- Voltage rating: 250V AC / DC
- Current rating: 3A AC / DC
- Withstanding voltage: 1000V AC/minute
- Temperature range: -25°C~+85°C
- Insulation resistance: ≥1000MΩ
- Contact resistance: ≤30mΩ
- After environmental testing: ≤40mΩ

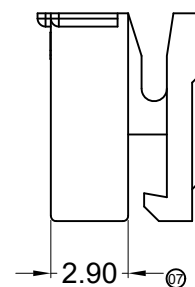
2011 H X-XX A-N0 XX XX

① ② ③ ④ ⑤ ⑥ ⑦ ⑧

- ① Series No.
- ② Category: H-HSG
- ③ Appearance type: Blank-Ordinary
- ④ Row No.-Pin No.: XX-02P~16P
- ⑤ Plug the Pin & Special No.: A-With Lock
- ⑥ Material : N0-PA66 UL 94V-0
- ⑦ Color : Blank-Natural Color
BK-Black
- ⑧ Whether containing halogen:
HF-Halogen free
Blank-Containing halogen



03P~16P Shape
Scale 1:1



2P Shape
Scale 1:1

Poles	Dimensions (mm)			Poles	Dimensions (mm)		
	A	B	C		A	B	C
02	2.00	5.60	4.60	10	18.00	21.60	20.60
03	4.00	7.60	6.60	11	20.00	23.60	22.60
04	6.00	9.60	8.60	12	22.00	25.60	24.60
05	8.00	11.60	10.60	13	24.00	27.60	26.60
06	10.00	13.60	12.60	14	26.00	29.60	28.60
07	12.00	15.60	14.60	15	28.00	31.60	30.60
08	14.00	17.60	16.60	16	30.00	33.60	32.60
09	16.00	19.60	18.60				

2011H-XXA-N0HF	PA 66 UL 94V-0 Halogen free	2011T-A	2011W -A
2011H-XXA-N0BK	PA 66 UL 94V-0 Black		
2011H-XXA-N0	PA 66 UL 94V-0		
PART NO	Material	Suitable ADZL Terminal	Mates With ADZL Wafer

DATE	OLD REV	NEW REV	ECN	DESCRIPTION	CHECK	APPROVAL	

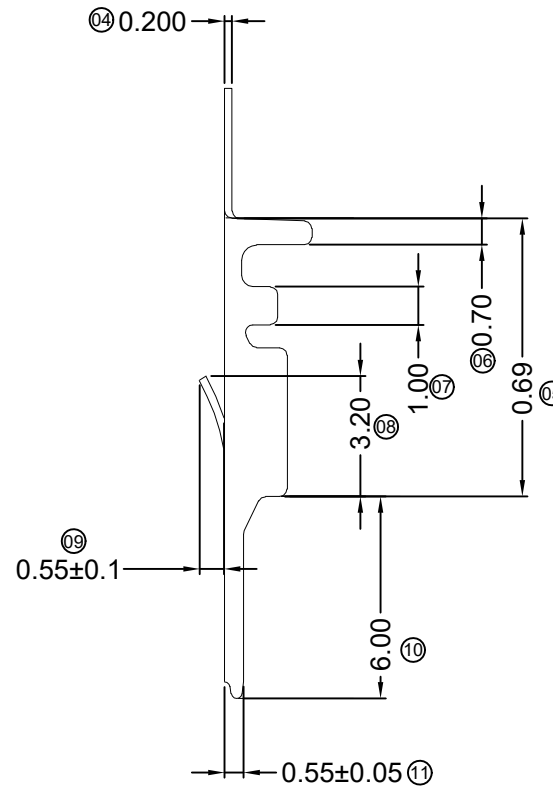
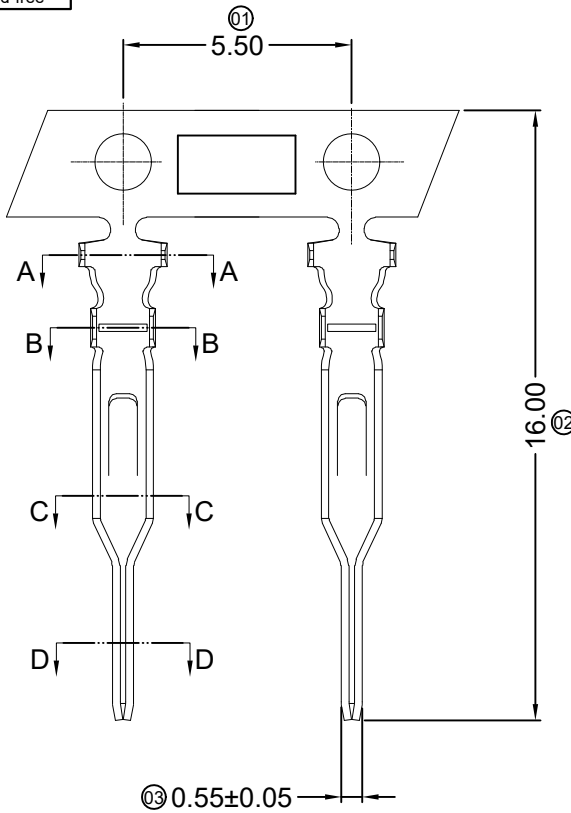
GENERAL TOLERANCE
.X ±0.30
.XX ±0.20
.XXX ±0.10



ADZL 东莞市思量连接器有限公司
DONGGUAN ADZL CONNECTORS CO.,LTD.

APPROVAL	CHECK	DRAWN	DATA
Ken	Zhao Hong	Allen	2017/08/16

PART NO. 2011H-XXA-N0			
TITLE 2.00mm Crimp Style Connector			
UNIT MM	SCALE 1:1	NUMBER	REV

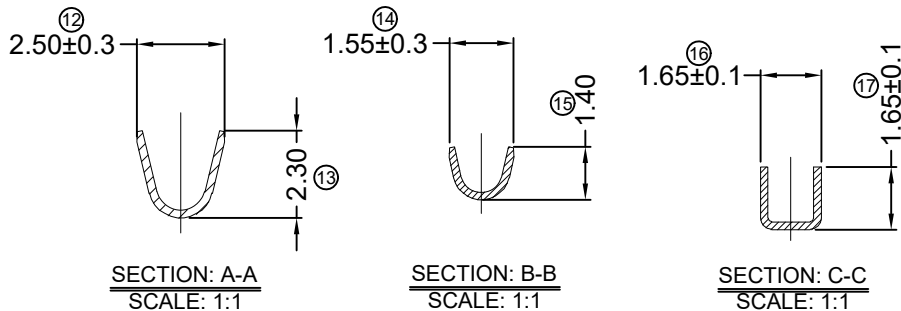


■ Specifications :

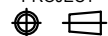
- Voltage rating: 250V AC / DC
- Current rating: 3A AC / DC
- Withstanding voltage: 1000V AC/minute
- Temperature range: -25°C~+85°C
- Insulation resistance: ≥1000MΩ
- Contact resistance: ≤30mΩ
- After environmental testing: ≤40mΩ

2011 TM X-P XX X - A
 ① ② ③ ④ ⑤ ⑥ ⑦

- ① Series Number
- ② Category: TM-terminal
- ③ Shape: Blank-ordinary
- ④ Material: P-Phosphor bronze
- ⑤ Plating style: SN-Bright tin plating
G01-Contact Gold flash
- ⑥ Plating method: Blank-Stamping before plating
- ⑦ Mold No./Mark/Special No. :
A-Mating 2011HF-A HSG



2011TM-PSN-A	Phosphor Bronze	AWG#22-30	1.45mm(Max)	Stamping Before Plating:30u" MIN. Ni; 70u" MIN.Sn	2011HF-XXA-N0
PART NO	Material	Wire Range	Insulation O.D.	Finish	Used In ADZL Housing

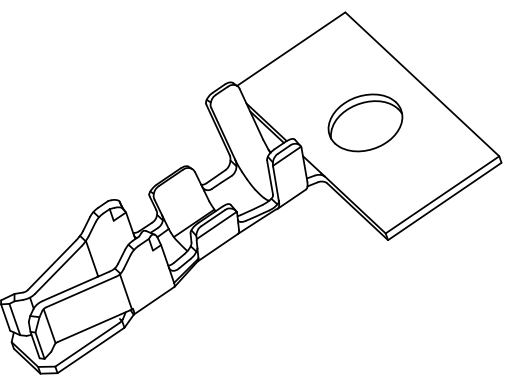
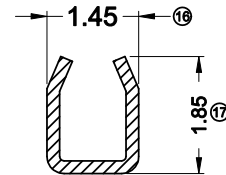
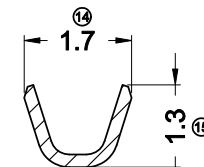
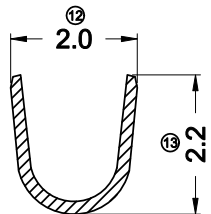
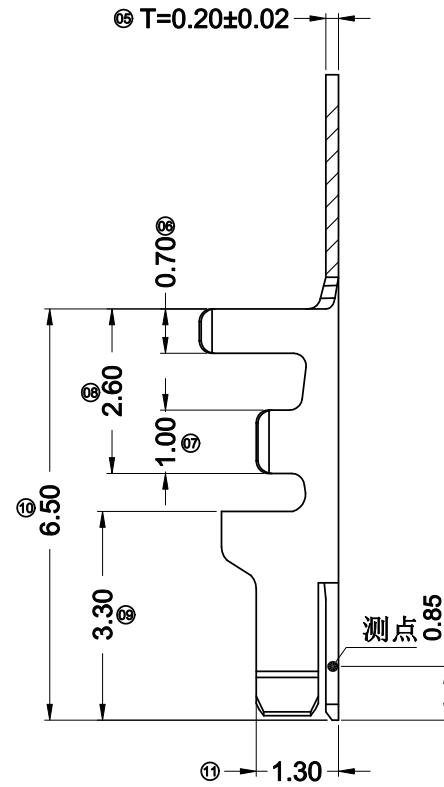
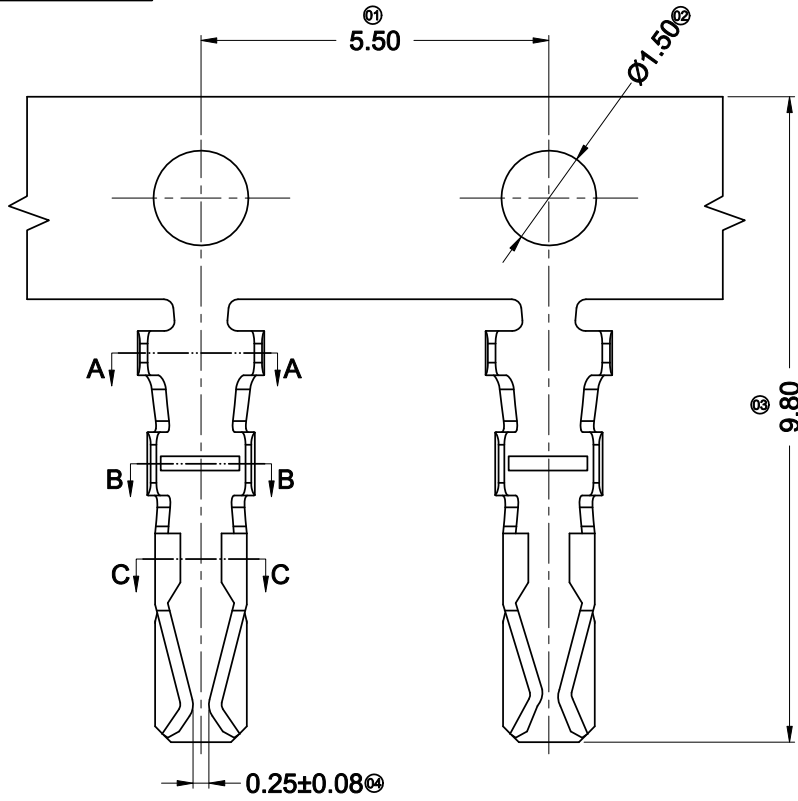
DATE	OLD REV	NEW REV	ECN	DESCRIPTION	CHECK	APPROVAL	PROJECT
							

GENERAL TOLERANCE
 .X ±0.30
 .XX ±0.20
 .XXX ±0.10

 东莞市思量连接器有限公司
 DONGGUAN ADZL CONNECTORS CO.,LTD.

APPROVAL: Ken, CHECK: Wisely He, DRAWN: Allen, DATA: 2024/09/07

PART NO. 2011TM-PXX-A			
TITLE 2.00mm Crimp Style Connectors			
UNIT MM	SCALE 1:1	NUMBER	REV



- Specifications :**
- Voltage rating: 250V AC / DC
 - Current rating: 3A AC / DC
 - Withstanding voltage: 1000V AC/minute
 - Temperature range: -25°C~+85°C
 - Insulation resistance: ≥1000MΩ
 - Contact resistance: ≤30mΩ
 - After environmental testing: ≤40mΩ

2011 T X-P XX X - A
 ① ② ③ ④ ⑤ ⑥ ⑦

- ① Series Number
- ② Category: T-terminal
- ③ Shape: Blank-ordinary
- ④ Material: P-Phosphor bronze
- ⑤ Plating style: SN-Bright tin plating
G01-Contact Gold flash
- ⑥ Plating method: Blank-Stamping before plating
- ⑦ Mold No./Mark/Special No. :
A-Mating 2011-A HSG

2011T-PG01-A	Phosphor Bronze	AWG#22-28	1.45mm(Max)	Stamping Before plating:30u" MIN. Ni; Contact Gold flash	2011H-A
2011T-PSN-A				Stamping Before Plating:30u" MIN. Ni; 70u" MIN.Sn	
PART NO	Material	Wire Range	Insulation O.D.	Finish	Used In ADZL Housing

DATE	OLD REV	NEW REV	ECN	DESCRIPTION	CHECK	APPROVAL	PROJECT		

GENERAL TOLERANCE

.X ±0.30

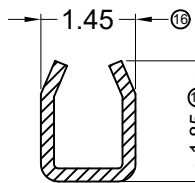
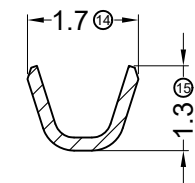
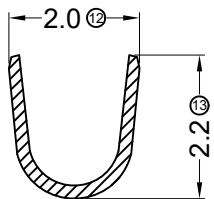
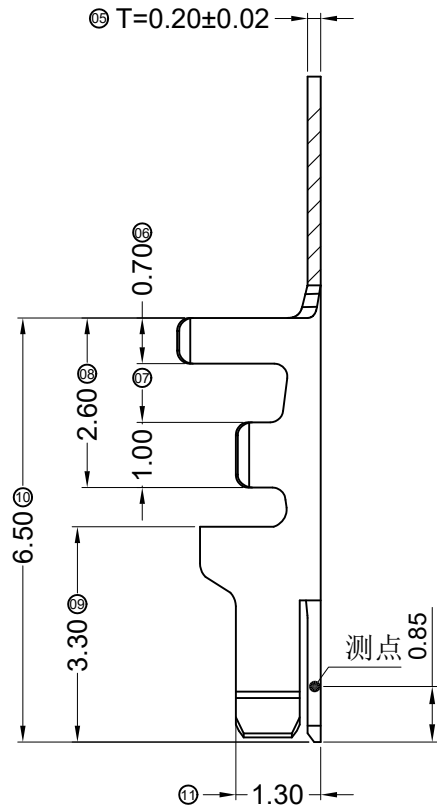
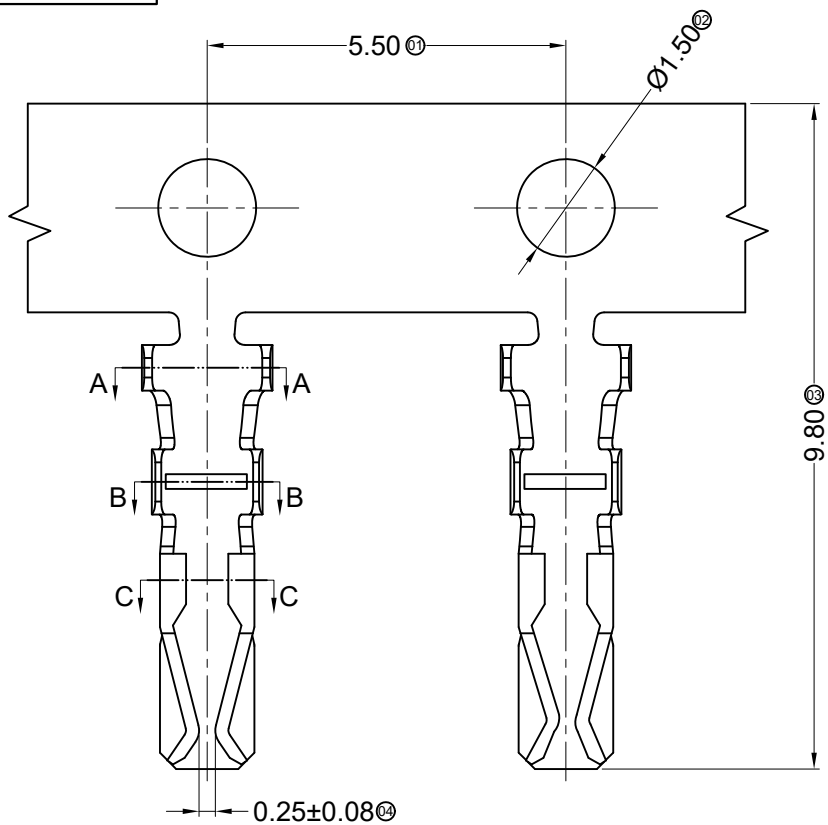
.XX ±0.20

.XXX ±0.10



APPROVAL	CHECK	DRAWN	DATA
Ken	Zhao Hong	Allen	2017/10/12

PART NO. 2011T-PXX-A			
TITLE 2.00mm Crimp Style Connectors			
UNIT MM	SCALE 1:1	NUMBER 8	REV

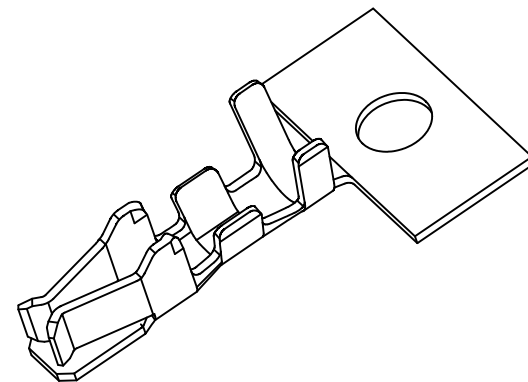


■ Specifications :

- Voltage rating: 250V AC / DC
- Current rating: 3A AC / DC
- Withstanding voltage: 1000V AC/minute
- Temperature range: -25°C~+85°C
- Insulation resistance: $\geq 1000\text{M}\Omega$
- Contact resistance: $\leq 30\text{m}\Omega$
- After environmental testing: $\leq 40\text{m}\Omega$


2011 T X-P XX X - A
① ② ③ ④ ⑤ ⑥ ⑦

- ① Series Number
- ② Category: T-terminal
- ③ Shape: Blank-ordinary
- ④ Material: P-Phosphor bronze
- ⑤ Plating style: SN-Bright tin plating
G01-Contact Gold flash
- ⑥ Plating method: Blank-Stamping before plating
- ⑦ Mold No./Mark/Special No. :
A-Mating 2011-A HSG



2011T-PG01-A	Phosphor Bronze	AWG#22-30	1.45mm(Max)	Stamping Before plating:30u" MIN. Ni; Contact Gold flash	2011H-A
2011T-PSN-A				Stamping Before Plating:30u" MIN. Ni; 70u" MIN.Sn	
PART NO	Material	Wire Range	Insulation O.D.	Finish	Used In ADZL Housing

DATE	OLD REV	NEW REV	ECN	DESCRIPTION	CHECK	APPROVAL

GENERAL TOLERANCE	
.X	±0.30
.XX	±0.20
.XXX	±0.10
PROJECT	

 东莞市思量连接器有限公司 DONGGUAN ADZL CONNECTORS CO.,LTD.			
APPROVAL	CHECK	DRAWN	DATA
Ken	Zhao Hong	Allen	2017/10/12

PART NO. 2011T-PXX-A			
TITLE 2.00mm Crimp Style Connectors			
UNIT MM	SCALE 1:1	NUMBER	REV