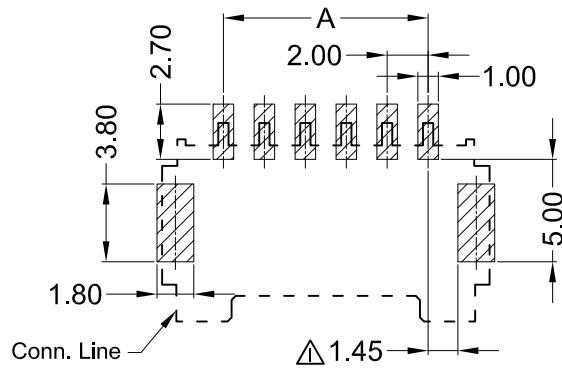
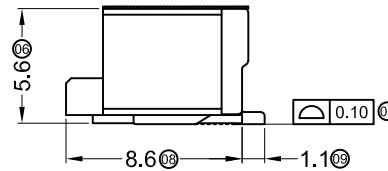
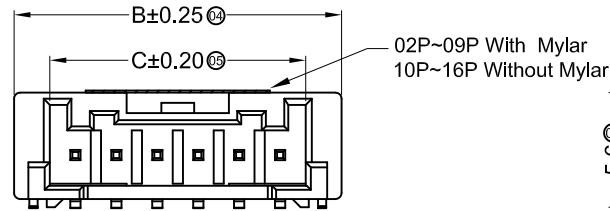
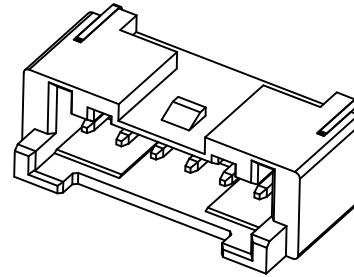
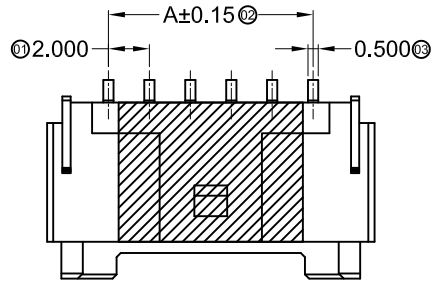


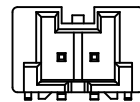
RoHS

WWW.ADZLCONN.COM

TEL:0769-82285488



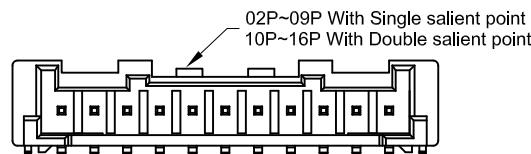
Recommended P.C.B Layout
General Tolerance±0.05



2P-4P
SCALE 1:0.8



5P-9P
SCALE 1:0.8



10P-16P
SCALE 1:0.8

Specifications :

- Voltage rating: 250V AC / DC
- Current rating: 3A AC / DC
- Withstanding voltage: 800V AC/minute
- Temperature range: -40°C~+125°C
- Insulation resistance: ≥1000MΩ
- Contact resistance: ≤10mΩ
- After environmental testing: ≤20mΩ

- Material(Pin): Brass
- Material(Solder Tabs): Brass
- Mates With ADZL Housing: 2000H

2000 W R S-XX X -9T SW XX X
① ② ③ ④ ⑤ ⑥ ⑦ ⑧ ⑨ ⑩

- ① Series No.
- ② Category: W-WAFER
- ③ Welding Board Angle: R-Right Angle 90°
- ④ Welding Way: S-SMT
- ⑤ Row No.-Pin No.: XX-02P~16P
- ⑥ Plug the Pin & Special No.
- ⑦ Material: 9T -PA9T 94V-0
- ⑧ Plating Category: SW- Matte Tin
- ⑨ Color : Blank-Natural Color
- ⑩ Package: Blank-Reel ,With Mylar
R-Reel ,Without Mylar

Poles	Dimensions (mm)			Poles	Dimensions (mm)		
	A	B	C		A	B	C
02	2.00	8.00	4.50	10	18.00	24.00	20.50
03	4.00	10.00	6.50	11	20.00	26.00	22.50
04	6.00	12.00	8.50	12	22.00	28.00	24.50
05	8.00	14.00	10.50	13	24.00	30.00	26.50
06	10.00	16.00	12.50	14	26.00	32.00	28.50
07	12.00	18.00	14.50	15	28.00	34.00	30.50
08	14.00	20.00	16.50	16	30.00	36.00	32.50
09	16.00	22.00	18.50				

GENERAL TOLERANCE
.X ±0.30
.XX ±0.20
.XXX ±0.10

ADZL 东莞市思量连接器有限公司
DONGGUAN ADZL CONNECTORS CO.,LTD.

PART NO.
2000WRS-XX-9TSWXXX

TITLE
2.00mm Crimp Style Connector

APPROVAL CHECK DRAWN DATA

PROJECT Ken Zhao Hong Allen 2017/04/21

UNIT SCALE NUMBER REV
MM 1:1 8

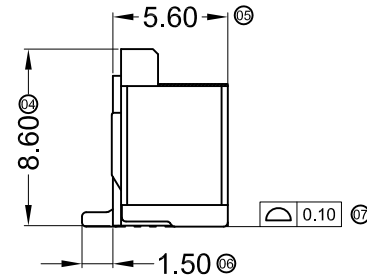
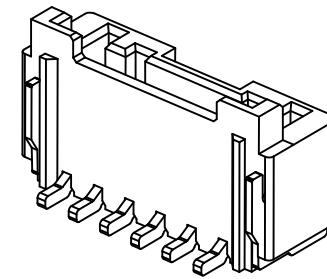
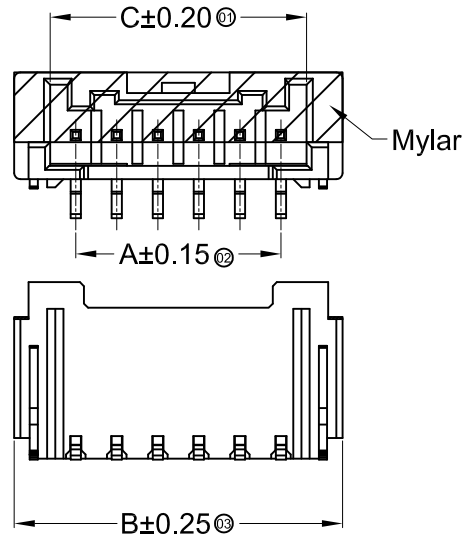
DATE OLD REV NEW REV ECN DESCRIPTION CHECK APPROVAL

1 2 3 4 5 6 7 8

RoHS

WWW.ADZLCONN.COM

TEL:0769-82285488

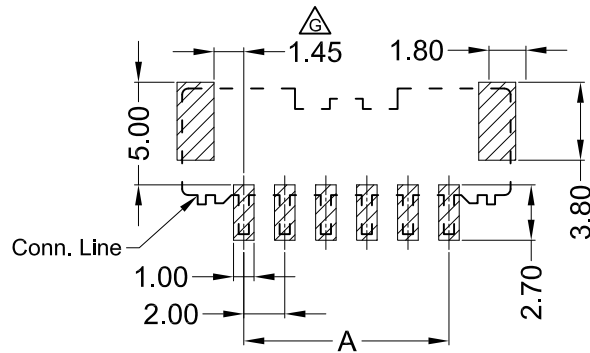


Specifications :

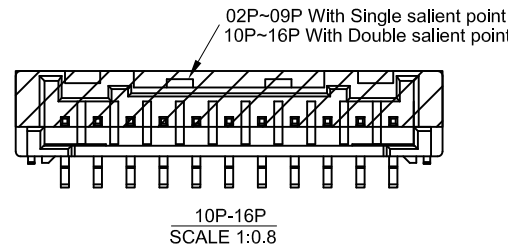
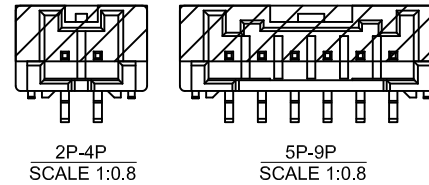
- Voltage rating: 250V AC / DC
- Current rating: 3A AC / DC
- Withstanding voltage: 800V AC/minute
- Temperature range: -40°C~+125°C
- Insulation resistance: ≥1000MΩ
- Contact resistance: ≤10mΩ
- After environmental testing: ≤20mΩ
- Material(Pin): Brass
- Material(Solder Tabs): Brass
- Mates With ADZL Housing: 2000H

2000 W V S-XX X -9T SW XX X
 ① ② ③ ④ ⑤ ⑥ ⑦ ⑧ ⑨ ⑩

- ① Series No.
- ② Category: W-WAFER
- ③ Welding Board Angle: V-Stright 180°
- ④ Welding Way: S-SMT
- ⑤ Row No.-Pin No.: XX-02P~16P
- ⑥ Plug the Pin & Special No.
- ⑦ Material: 9T -PA9T 94V-0
- ⑧ Plating Category: SN-Bright Tin ; SW-Matte Tin
- ⑨ Color : Blank-Natural Color
- ⑩ Package: Blank-Reel ,With Mylar
R-Reel ,Without Mylar

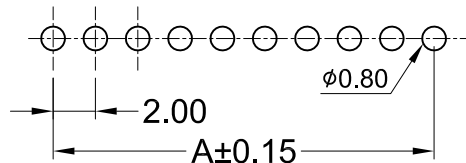
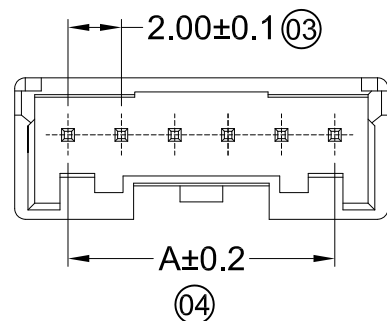
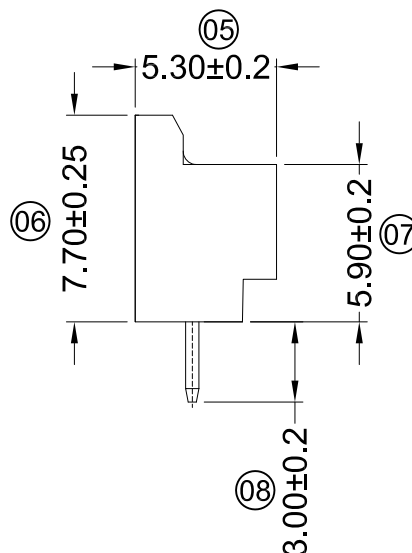
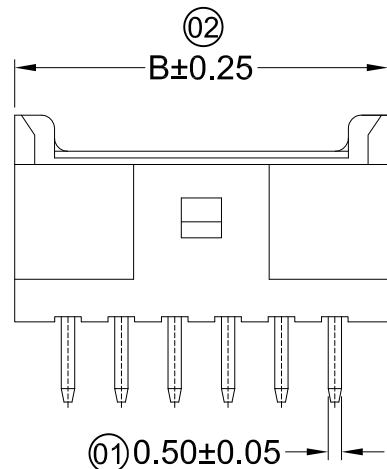


Recommended P.C.B Layout
 General Tolerance±0.05

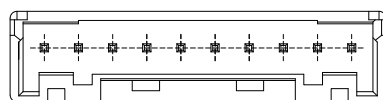
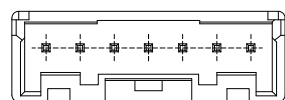


Poles	Dimensions (mm)			Poles	Dimensions (mm)		
	A	B	C		A	B	C
02	2.00	8.00	4.50	10	18.00	24.00	20.50
03	4.00	10.00	6.50	11	20.00	26.00	22.50
04	6.00	12.00	8.50	12	22.00	28.00	24.50
05	8.00	14.00	10.50	13	24.00	30.00	26.50
06	10.00	16.00	12.50	14	26.00	32.00	28.50
07	12.00	18.00	14.50	15	28.00	34.00	30.50
08	14.00	20.00	16.50	16	30.00	36.00	32.50
09	16.00	22.00	18.50				

				GENERAL TOLERANCE				东莞市思量连接器有限公司 DONGGUAN ADZL CONNECTORS CO.,LTD.				PART NO. 2000WVS-XX-9TSWXXX			
				.X ±0.30 .XX ±0.20 .XXX ±0.10								TITLE 2.00mm Crimp Style Connector			
				PROJECT				APPROVAL	CHECK	DRAWN	DATA	UNIT	SCALE	NUMBER	REV
DATE	OLD REV	NEW REV	ECN	DESCRIPTION	CHECK	APPROVAL	Ken	Zhao Hong	Allen	2017/06/08	MM	1:1	8		



Recommended P.C.B Layout
General Tolerance ± 0.05



■ Specifications :

- Voltage rating: 250V AC / DC
- Current rating: 3A AC / DC
- Withstanding voltage: 800V AC/minute
- Temperature range: $-25^{\circ}\text{C} \sim +85^{\circ}\text{C}$
- Insulation resistance: $\geq 1000\text{M}\Omega$
- Contact resistance: $\leq 10\text{m}\Omega$
- After environmental testing: $\leq 20\text{m}\Omega$

2000 W V X-XX PT SN XX
① ② ③ ④ ⑤ ⑥ ⑦ ⑧

- ① Series No.
- ② Category: W-WAFER
- ③ Welding Board Angle: V-Stright 180° ;
- ④ Welding Way: Blank-DIP
- ⑤ Row No.-Pin No.: XX-02P~16P
- ⑥ Material: PT -PBT UL94V-0
- ⑦ Plating Category: SN-Bright Tin Plating
- ⑧ Color : Blank-Natural Color

Poles	Dimensions (mm)		Poles	Dimensions (mm)	
	A	B		A	B
02	2.00	6.00	10	18.00	22.00
03	4.00	8.00	11	20.00	24.00
04	6.00	10.00	12	22.00	26.00
05	8.00	12.00	13	24.00	28.00
06	10.00	14.00	14	26.00	30.00
07	12.00	16.00	15	28.00	32.00
08	14.00	18.00	16	30.00	34.00
09	16.00	20.00			

2000WV-XX-PTSN	PBT UL 94V-0	Brass	Tin-Plated	2000H
PART NO	Material	Material(Pin)	Finish(Pin)	Mates With ADZL Housing

GENERAL TOLERANCE
.X ± 0.30
.XX ± 0.20
.XXX ± 0.10

 东莞市思量连接器有限公司
DONGGUAN ADZL CONNECTORS CO.,LTD.

PART NO. 2000WV-XX-PTSN

TITLE 2.00mm Crimp Style Connector

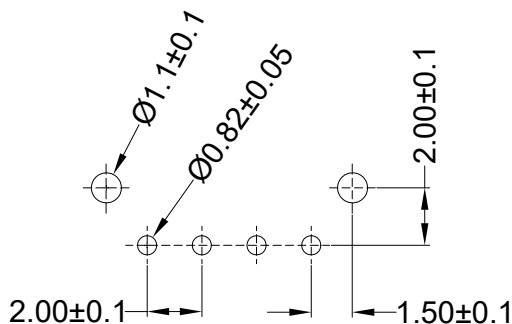
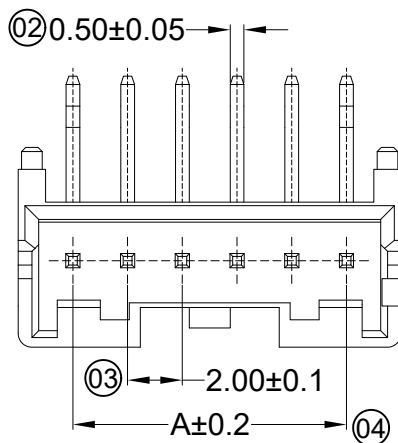
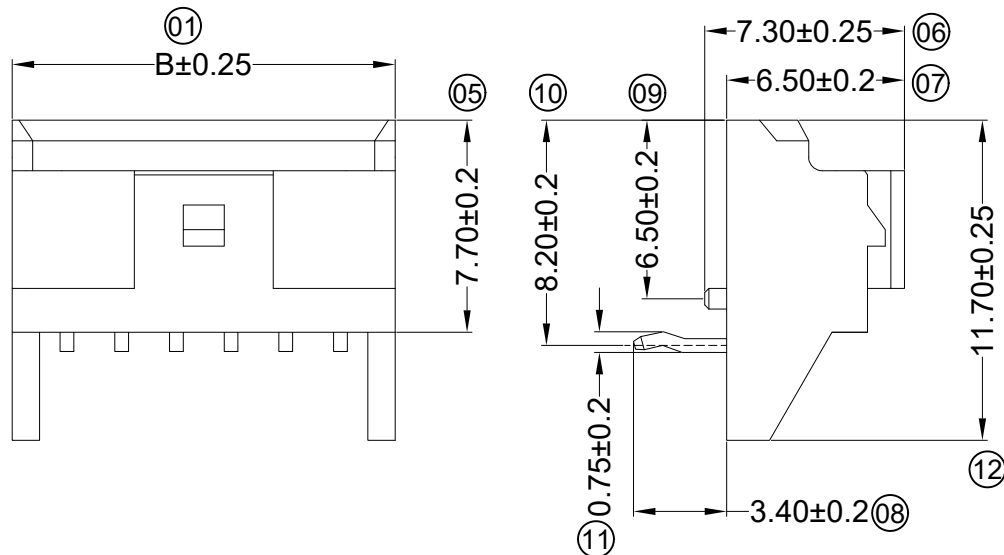
APPROVAL CHECK DRAWN DATA

UNIT SCALE NUMBER REV
MM 1:1 8

PROJECT 

Ken Zhao Hong Allen 2021/05/23

DATE OLD REV NEW REV ECN DESCRIPTION CHECK APPROVAL



■ Specifications :

- Voltage rating: 250V AC / DC
- Current rating: 3A AC / DC
- Withstanding voltage: 800V AC/minute
- Temperature range: $-25^{\circ}\text{C} \sim +85^{\circ}\text{C}$
- Insulation resistance: $\geq 1000\text{M}\Omega$
- Contact resistance: $\leq 10\text{m}\Omega$
- After environmental testing: $\leq 20\text{m}\Omega$

2000 W R X-XX PT SN XX
① ② ③ ④ ⑤ ⑥ ⑦ ⑧

- ① Series No.
- ② Category: W-WAFER
- ③ Welding Board Angle: R- Straight 90° ;
- ④ Welding Way: Blank-DIP
- ⑤ Row No.-Pin No.: XX-02P~16P
- ⑥ Material: PT -PBT UL94V-0
- ⑦ Plating Category: SN-Bright Tin Plating
- ⑧ Color : Blank-Natural Color

Poles	Dimensions (mm)		Poles	Dimensions (mm)	
	A	B		A	B
02	2.00	6.00	10	18.00	22.00
03	4.00	8.00	11	20.00	24.00
04	6.00	10.00	12	22.00	26.00
05	8.00	12.00	13	24.00	28.00
06	10.00	14.00	14	26.00	30.00
07	12.00	16.00	15	28.00	32.00
08	14.00	18.00	16	30.00	34.00
09	16.00	20.00			

2000WR-XX-PTSN	PBT UL 94V-0	Brass	Tin-Plated	2000H
PART NO	Material	Material(Pin)	Finish(Pin)	Mates With ADZL Housing

DATE	OLD REV	NEW REV	ECN	DESCRIPTION	CHECK	APPROVAL

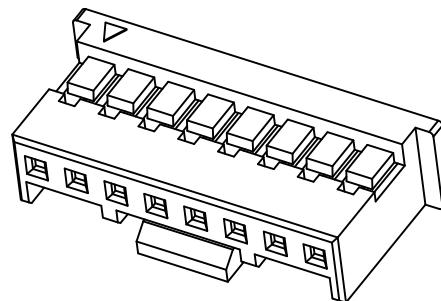
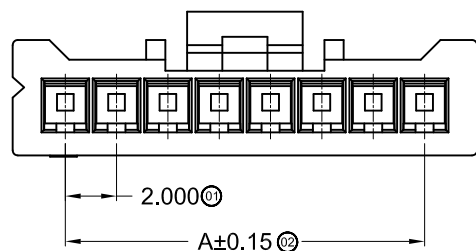
GENERAL TOLERANCE
.X ± 0.30
.XX ± 0.20
.XXX ± 0.10

PROJECT


 东莞市思量连接器有限公司
DONGGUAN ADZL CONNECTORS CO.,LTD.

APPROVAL	CHECK	DRAWN	DATA
Ken	Zhao Hong	Allen	2021/03/21

PART NO. 2000WR-XX-PTSN			
TITLE 2.00mm Crimp Style Connector			
UNIT MM	SCALE 1:1	NUMBER	REV



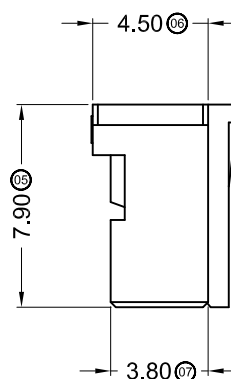
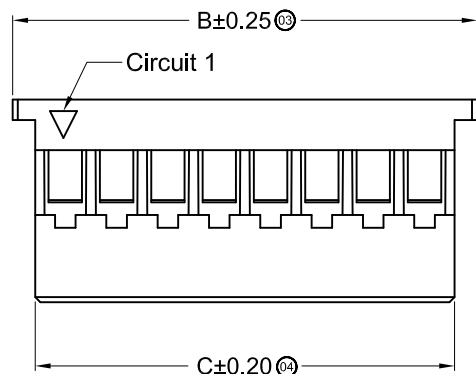
■ Specifications :

- Voltage rating: 250V AC / DC
- Current rating: 3A AC / DC
- Withstanding voltage: 800V AC/minute
- Temperature range: -40°C~+105°C
- Insulation resistance: ≥1000MΩ
- Contact resistance: ≤10mΩ
- After environmental testing: ≤20mΩ

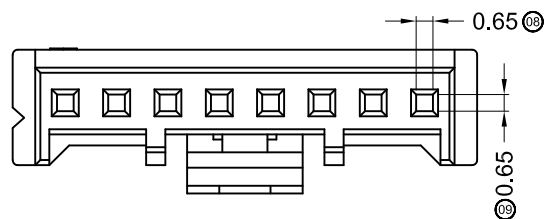
2000 H X-XX X-N0 HF

① ② ③ ④ ⑤ ⑥ ⑦

- ① Series No.
- ② Category: H-HSG
- ③ Appearance type: Blank-Ordinary
- ④ Row No.-Pin No.: XX-02P~16P
- ⑤ Plug the Pin & Special No.: Blank-Ordinary
- ⑥ Material : N0-PA66 94V-0
- ⑦ HF-Halogen Free



Poles	Dimensions (mm)			Poles	Dimensions (mm)		
	A	B	C		A	B	C
02	2.00	6.10	4.34	10	18.00	22.10	20.34
03	4.00	8.10	6.34	11	20.00	24.10	22.34
04	6.00	10.10	8.34	12	22.00	26.10	24.34
05	8.00	12.10	10.34	13	24.00	28.10	26.34
06	10.00	14.10	12.34	14	26.00	30.10	28.34
07	12.00	16.10	14.34	15	28.00	32.10	30.34
08	14.00	18.10	16.34	16	30.00	34.10	32.34
09	16.00	20.10	18.34				



2000H-XX-N0HF	PA66 UL 94V-0 Halogen Free	2000T	2000W
2000H-XX-N0	Nylon 66 94V-0		
PART N0	Material	Suitable ADZL Terminal	Suitable ADZL Wafer

GENERAL TOLERANCE	
.X	±0.30
.XX	±0.20
.XXX	±0.10

 东莞市思量连接器有限公司
DONGGUAN ADZL CONNECTORS CO.,LTD.

PART NO. 2000H-XX-N0XX

TITLE 2.00mm Crimp Style Connector

APPROVAL CHECK DRAWN DATA

Ken Zhao Hong Allen 2017/09/04

UNIT SCALE NUMBER REV
MM 1:1 8



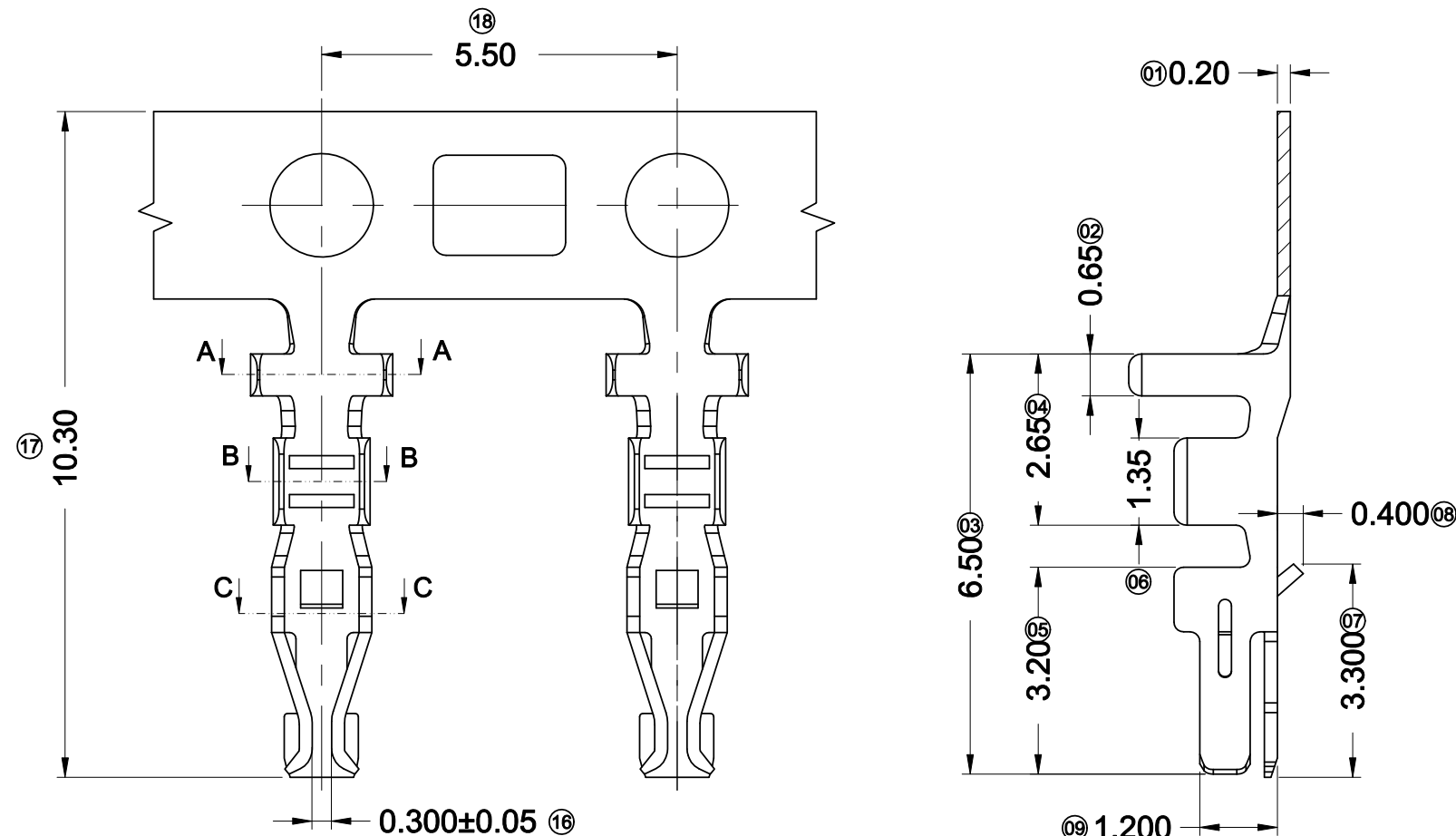
DATE OLD REV NEW REV ECN DESCRIPTION CHECK APPROVAL

1 2 3 4 5 6 7 8

RoHS

WWW.ADZLCONN.COM

TEL:0769-82285488

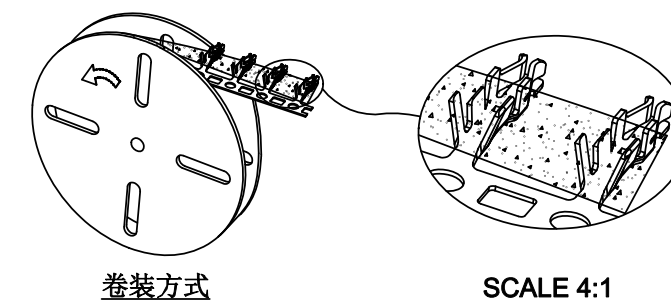
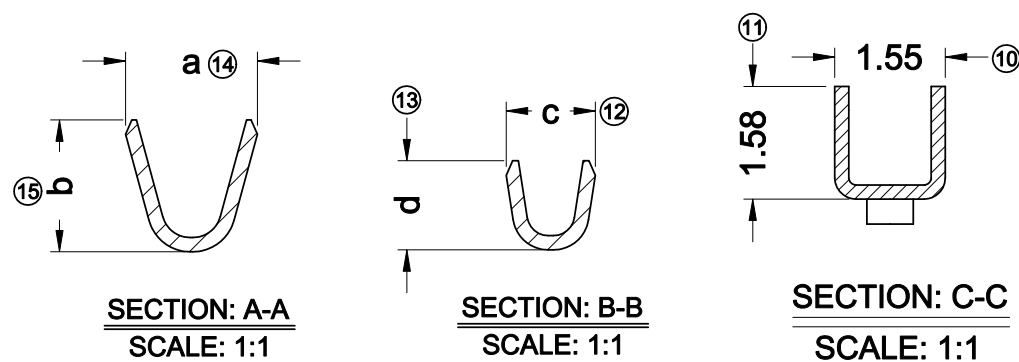


■ Specifications :

- Voltage rating: 250V AC / DC
- Current rating: 3A AC / DC
- Withstanding voltage: 800V AC/minute
- Temperature range: -40°C~+125°C
- Insulation resistance: ≥1000MΩ
- Contact resistance: ≤10mΩ
- After environmental testing: ≤20mΩ

2000 T X-P XX - XX
① ② ③ ④ ⑤ ⑥

- ① Series No.
- ② Category: T-Terminal
- ③ Appearance type:
Blank-Ordinary; H-High feet; L-Low feet
- ④ Material: P-Phosphor bronze
- ⑤ Plating Style: SN-Bright Tin Plating
- ⑥ Mold No./Mark/Special No:



2000TH-PXXX	Phosphor bronze	AWG#20~22 0.5~0.35mm ²	1.50mm(Max)	2.20	2.50	1.80	1.80
2000T-PXXX		AWG#22~24 0.35~0.22mm ²	1.50mm(Max)	2.20	2.50	1.50	1.60
2000TL-PXXX		AWG#26~32	1.00mm(Max)	1.85	1.85	1.25	1.25
P/N	Material	core of conductor Ø O.D	insulated leather Ø O.D	DIM a	DIM b	DIM c	DIM d

DATE	OLD REV	NEW REV	ECN	DESCRIPTION	CHECK	APPROVAL	PROJECT			

GENERAL TOLERANCE
.X ±0.30
.XX ±0.20
.XXX ±0.10

ADZL 东莞市思量连接器有限公司
DONGGUAN ADZL CONNECTORS CO.,LTD.

APPROVAL	CHECK	DRAWN	DATA
Ken	Zhao Hong	Allen	2018/08/06

PART NO.			
2000TX-PXX			
TITLE			
2.00mm Crimp Style Connectors			
UNIT	SCALE	NUMBER	REV
MM	1:1		

RoHS

WWW.ADZLCONN.COM

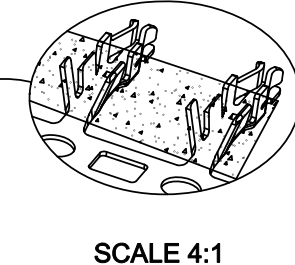
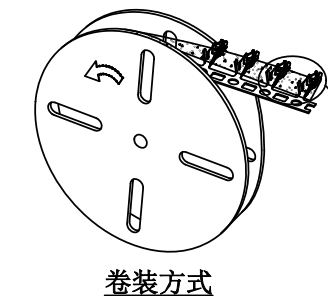
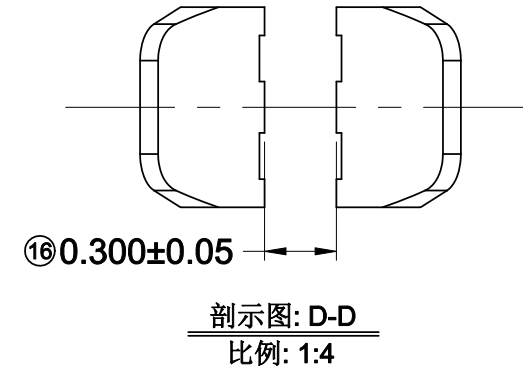
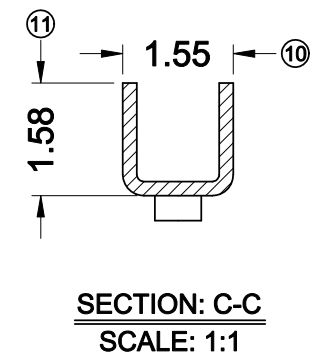
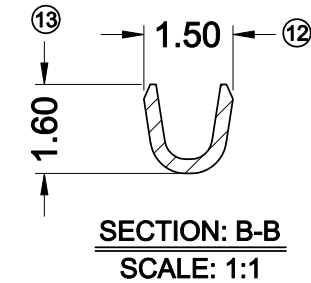
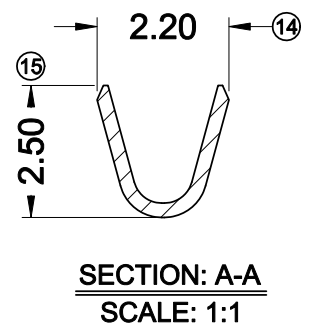
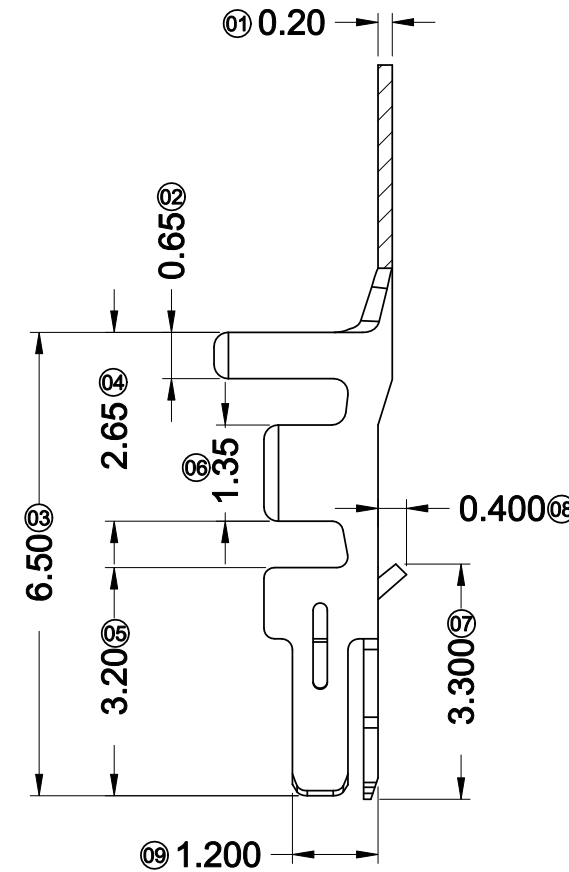
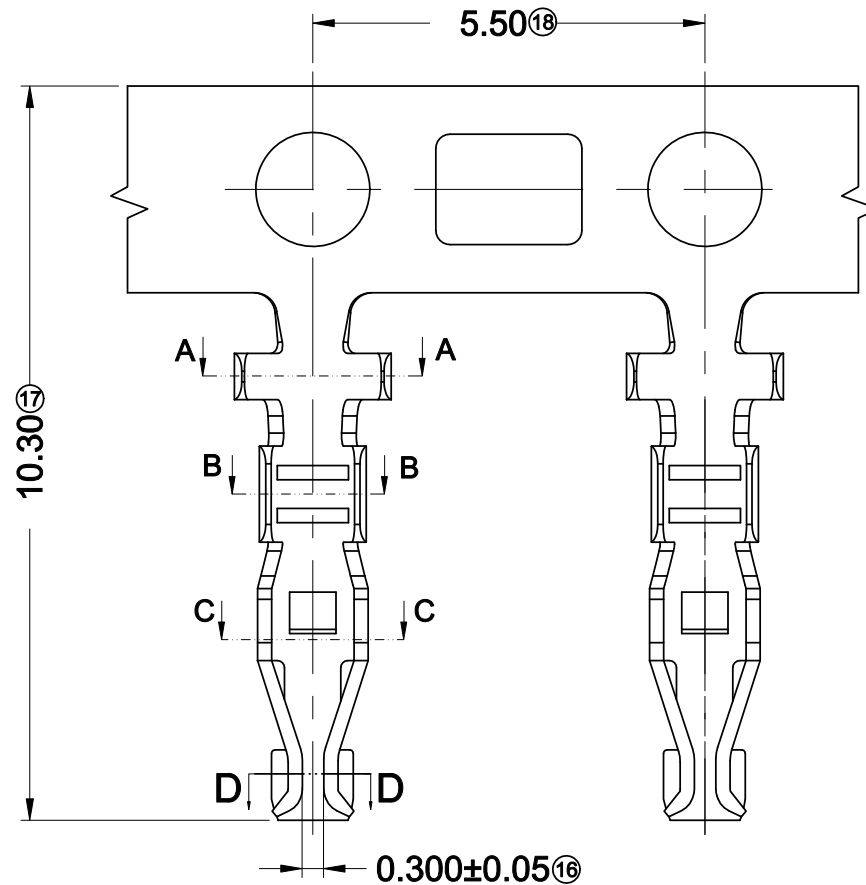
TEL:0769-82285488

■ Specifications :

- Voltage rating: 250V AC / DC
- Current rating: 3A AC / DC
- Withstanding voltage: 800V AC/minute
- Temperature range: -40°C~+105°C
- Insulation resistance: ≥1000MΩ
- Contact resistance: ≤10mΩ
- After environmental testing: ≤20mΩ
- core of conductor φ O.D:AWG#22~24 0.35~0.22mm²

2000 T X-P XX - SL
① ② ③ ④ ⑤ ⑥

- ① Series No.
- ② Category: T-Terminal
- ③ Appearance type: Blank-Ordinary; H-High feet; L-Low feet
- ④ Material: P-Phosphor bronze
- ⑤ Plating Style: SN-Bright Tin Plating
- ⑥ Mold No./Mark/Special No:SL-Point Contact



				GENERAL TOLERANCE				PART NO. 2000T-PXX-SL					
				.X ±0.30				TITLE					
				.XX ±0.20				2.00mm Crimp Style Connectors					
				.XXX ±0.10				UNIT MM SCALE 1:1 NUMBER REV					
DATE	OLD REV	NEW REV	ECN	DESCRIPTION	CHECK	APPROVAL	PROJECT	APPROVAL	CHECK	DRAWN	DATA		
							Ken	Zhao Hong	Allen	2024/11/02			

ADZL 东莞市思量连接器有限公司
DONGGUAN ADZL CONNECTORS CO.,LTD.