

■ Specifications :



- Voltage rating: 250V AC / DC
- Current rating: 3A AC / DC
- Withstanding voltage: 1000V AC/minute
- Temperature range: -40°C~+105°C
- Insulation resistance: ≥1000MΩ
- Contact resistance: ≤10mΩ
- After environmental testing: ≤20mΩ

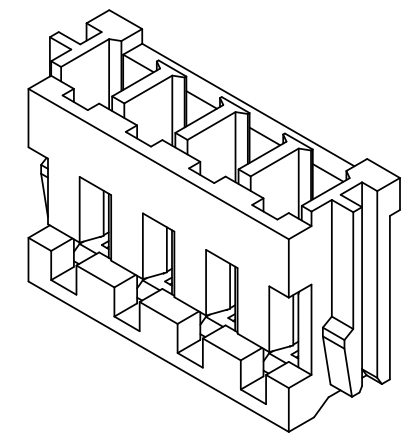
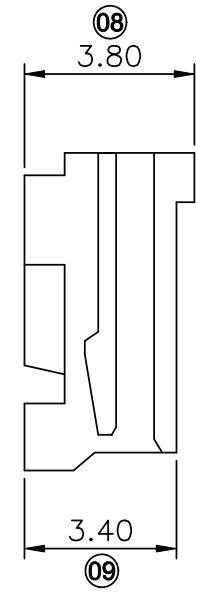
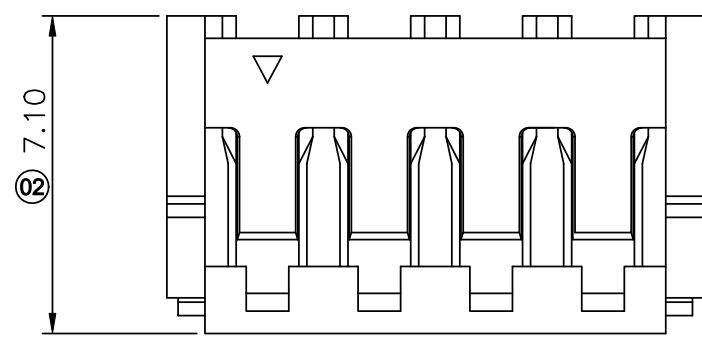
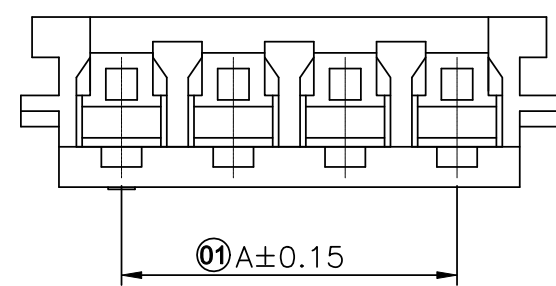
2581 W R X-XX X -N0 SN XX
 ① ② ③ ④ ⑤ ⑥ ⑦ ⑧ ⑨

- ① Series No.
- ② Category: W-WAFER
- ③ Welding Board Angle: R-Right Angle 90°
- ④ Welding Way: Blank-DIP ;
- ⑤ Row No.-Pin No.: XX-Single Row ;
- ⑥ Plug the Pin & Special No.: Blank-With KINK
- ⑦ Material: N0 -PA66 94V-0
- ⑧ Plating Category: SN-Bright Tin Plating
- ⑨ Color : Blank-Natural Color

Poles	Dimensions(mm)		Poles	Dimensions(mm)	
	A	B		A	B
02	2.50	7.50	12	27.50	32.50
03	5.00	10.00	13	30.00	35.00
04	7.50	12.50	14	32.50	37.50
05	10.00	15.00	15	35.00	40.00
06	12.50	17.50	16	37.50	42.50
07	15.00	20.00	17	40.00	45.00
08	17.50	22.50	18	42.50	47.50
09	20.00	25.00	19	45.00	50.00
10	22.50	27.50	20	47.50	52.50
11	25.00	30.00			

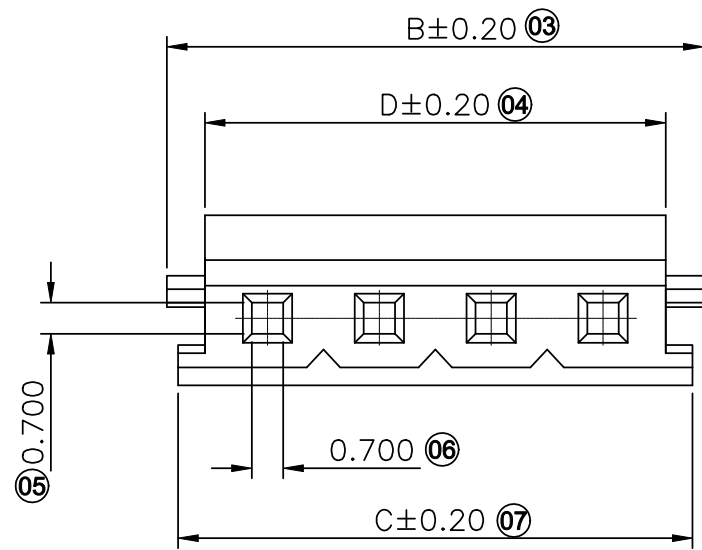
2581WR-XX-N0SN	Nylon 66 UL 94V-0	Brass	Tin-Plated	2581H
PART NO	Material	Material(Pin)	Finish(Pin)	Mates With ADZL Housing

							GENERAL TOLERANCE .X ±0.30 .XX ±0.20 .XXX ±0.10				 东莞市思量连接器有限公司 DONGGUAN ADZL CONNECTORS CO.,LTD.				PART NO. 2581WR-XX-N0SN			
							APPROVAL CHECK DRAWN DATA				TITLE 2.50mm Crimp Style Connectors							
DATE	OLD REV	NEW REV	ECN	DESCRIPTION	CHECK	APPROVAL	PROJECT	Ken	Zhao Hong	Allen	2024.03.18	UNIT	SCALE	NUMBER	REV			
												MM	1:1					



■ Specifications :

- Voltage rating: 250V AC / DC
- Current rating: 3A AC / DC
- Withstanding voltage: 800V AC/minute
- Temperature range: -40°C~+105°C
- Insulation resistance: ≥1000MΩ
- Contact resistance: ≤10mΩ
- After environmental testing: ≤20mΩ




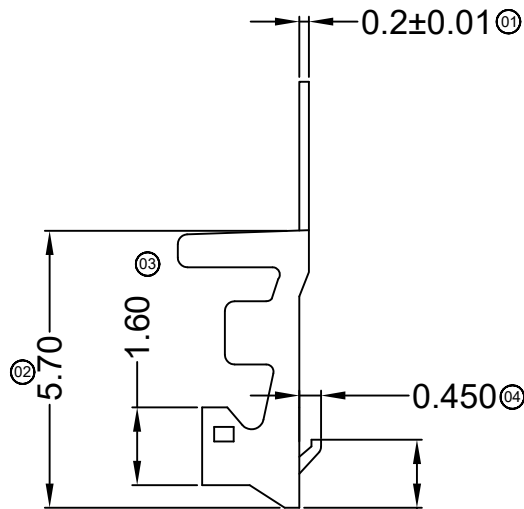
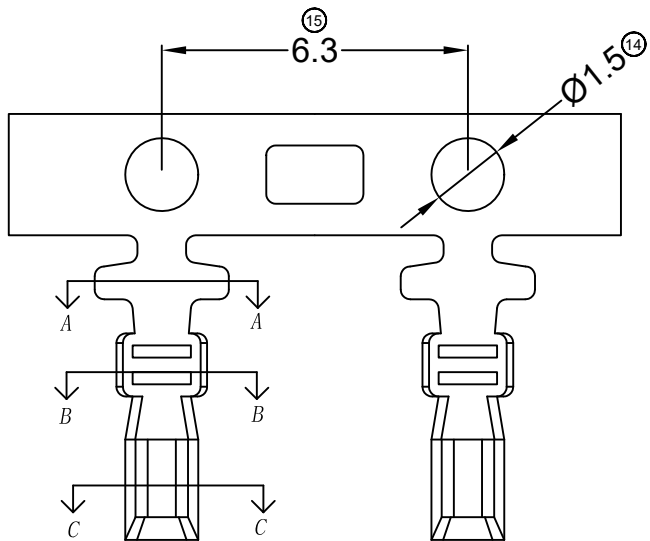
2581 H X-XX X-N0 XX
① ② ③ ④ ⑤ ⑥ ⑦

- ① Series No.
- ② Category: H-HSG
- ③ Appearance type: Blank-Ordinary
- ④ Row No.-Pin No.: XX-Single Row
- ⑤ Plug the Pin & Special No. Blank-Ordinary
- ⑥ Material : N0-PA66 94V-0
- ⑦ Color: Blank : Natural Color

Poles	Dimensions (mm)			
	A	B	C	D
2P	2.50	7.00	6.50	5.40
3P	5.00	9.50	9.00	7.90
4P	7.50	12.00	11.50	10.40
5P	10.00	14.50	14.00	12.90
6P	12.50	17.00	16.50	15.40
7P	15.00	19.50	19.00	17.90
8P	17.50	22.00	21.50	20.40
9P	20.00	24.50	24.00	22.90
10P	22.50	27.00	26.50	25.40
11P	25.00	29.50	29.00	27.90
12P	27.50	32.00	31.50	30.40
13P	30.00	34.50	34.00	32.90
14P	32.50	37.00	36.50	35.40
15P	35.00	39.50	39.00	37.90

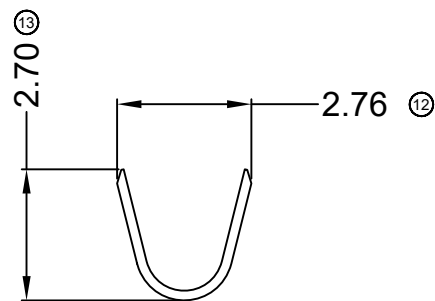
2581H-XX-N0	Nylon 66 UL 94V-0	2581T	2581W
PART NO	Material	Suitable ADZL Terminal	Mates With ADZL Wafer

							GENERAL TOLERANCE		 东莞市思量连接器有限公司 DONGGUAN ADZL CONNECTORS CO.,LTD.				PART NO. 2581H-XX-N0			
							.X ±0.30 .XX ±0.20 .XXX ±0.10						TITLE 2.50 mm Crimp Style Connectors			
DATE	OLD REV	NEW REV	ECN	DESCRIPTION	CHECK	APPROVAL	PROJECT	APPROVAL	CHECK	DRAWN	DATA	UNIT MM	SCALE 1:1	NUMBER	REV	
							Ken	Zhao Hong	Allen	2022/03/25						

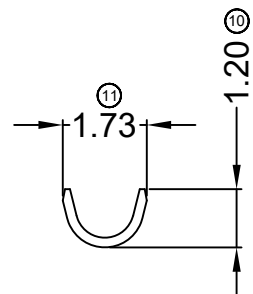


■ Specifications :

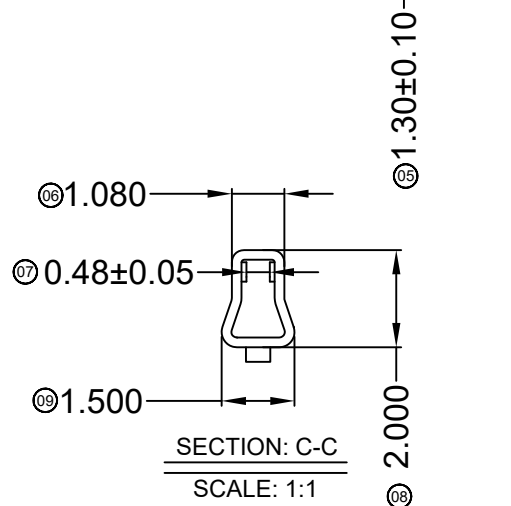
- Voltage rating: 250V AC / DC
- Current rating: 3A AC / DC
- Withstanding voltage: 800V AC/minute
- Temperature range: -25°C~+85°C
- Insulation resistance: ≥1000MΩ
- Contact resistance: ≤10mΩ
- After environmental testing: ≤20mΩ



SECTION: A-A
SCALE: 1:1



SECTION: B-B
SCALE: 1:1



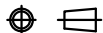
SECTION: C-C
SCALE: 1:1

2581 T X-P SN X-X
① ② ③ ④ ⑤ ⑥ ⑦

- ① Series No.
- ② Category: T-Terminal
- ③ Appearance type: Blank-Ordinary
- ④ Material: P-Phosphor bronze ; B-Brass
- ⑤ Plating Style: SN-Bright Tin Plating
- ⑥ Plating Method : Blank-Stamping before Plating
- ⑦ Mold No./Mark/Special No.

2581T-PSN	Phosphor Bronze	AWG#22-30	1.90mm(Max)	Stamping Before Plating:30~50u" Ni;70~120u"Sn	2581H
PART NO	Material	Wire Range	Insulation O.D.	Finish	Used In ADZL Housing

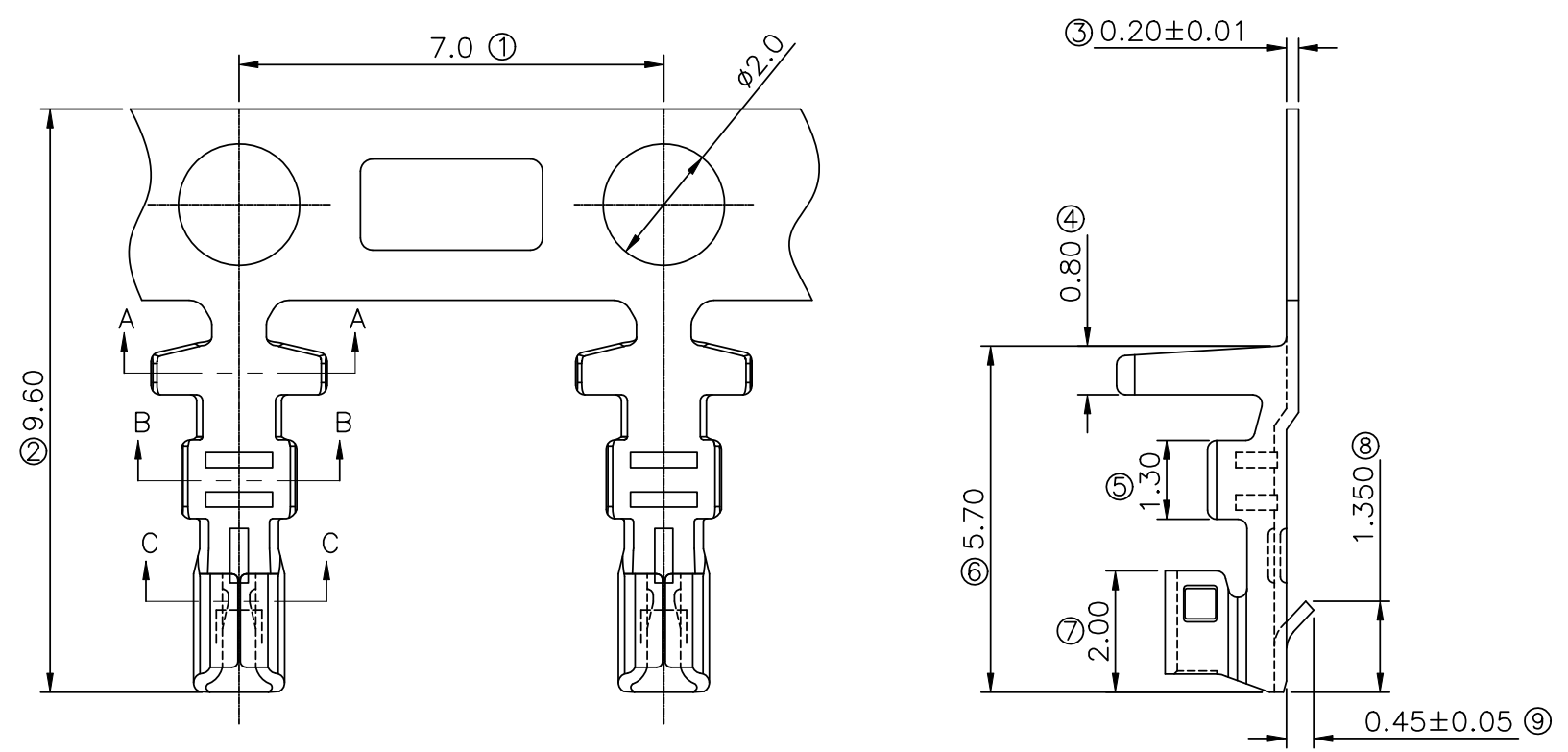
DATE	OLD REV	NEW REV	ECN	DESCRIPTION	CHECK	APPROVAL

GENERAL TOLERANCE	
.X	±0.30
.XX	±0.20
.XXX	±0.10
PROJECT	



APPROVAL	CHECK	DRAWN	DATA
Ken	Wisely He	Allen	2022/05/25

PART NO. 2581T-PSN			
TITLE 2.50 mm Crimp Style Connectors			
UNIT MM	SCALE 1:1	NUMBER	REV



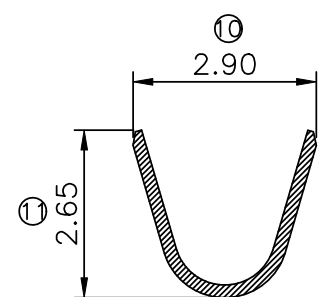
Specifications :

- Voltage rating: 250V AC / DC
- Current rating: 3A AC / DC
- Withstanding voltage: 800V AC/minute
- Temperature range: -40°C~+105°C
- Insulation resistance: ≥1000MΩ
- Contact resistance: ≤10mΩ
- After environmental testing: ≤20mΩ

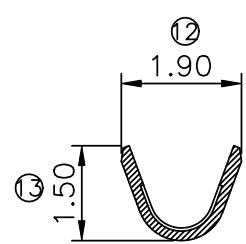
A2581 T X-P SN X-X

① ② ③ ④ ⑤ ⑥ ⑦

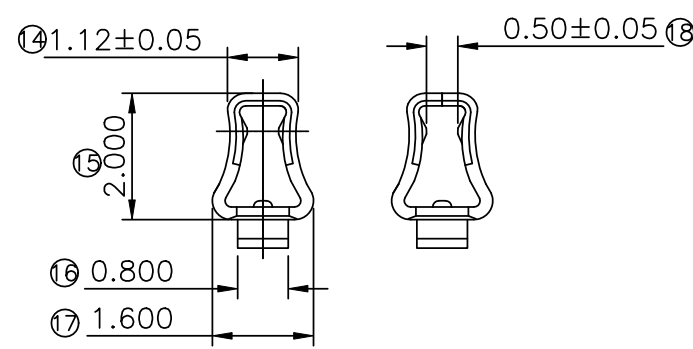
- ① Series No.
- ② Category: T-Terminal
- ③ Appearance type: Blank-Ordinary
- ④ Material: P-Phosphor bronze ; B-Brass
- ⑤ Plating Style: SN1-Bright Tin Plating
- ⑥ Plating Method : Blank-Stamping before Plating
- ⑦ Mold No./Mark/Special No.



SECTION: A-A
SCALE: 1:1




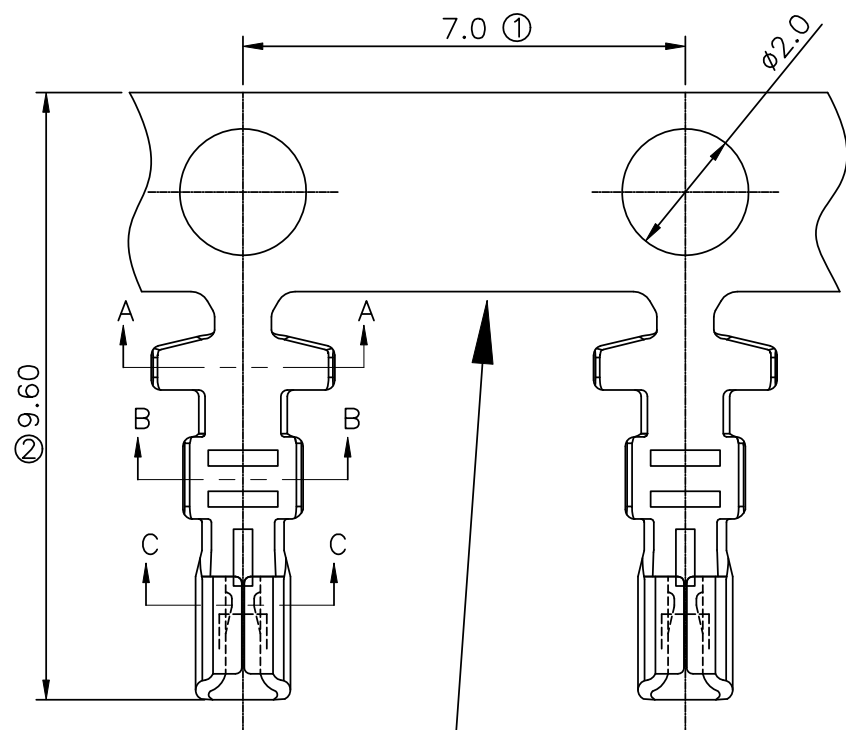
SECTION: B-B
SCALE: 1:1



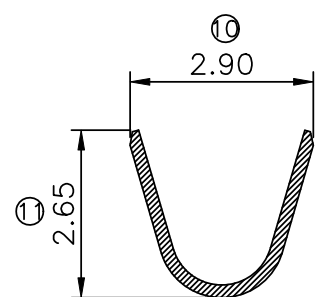
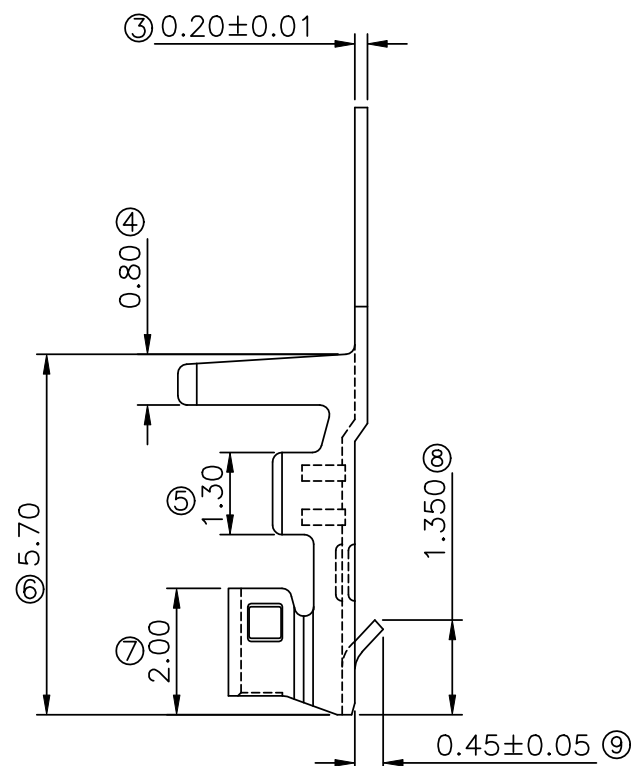
SECTION: C-C
SCALE: 1:1

A2581T-PSN1	Phosphor Bronze	AWG#22-24	1.30mm(Max)	Stamping Before Plating:50~100u" Ni;100~180u"Sn	A2581H
PART NO	Material	Wire Range	Insulation O.D.	Finish	Used In ADZL Housing

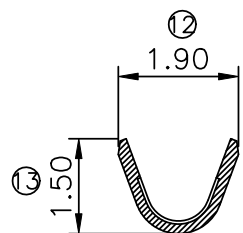
							GENERAL TOLERANCE .X ±0.30 .XX ±0.20 .XXX ±0.10				 东莞市思量连接器有限公司 DONGGUAN ADZL CONNECTORS CO.,LTD.				PART NO. A2581T-PSN1 TITLE 2.50 mm Crimp Style Connectors			
							APPROVAL CHECK DRAWN DATA Ken Wisely He Allen 2022/07/05				UNIT MM SCALE 1:1 NUMBER REV C							
DATE	OLD REV	NEW REV	ECN	DESCRIPTION	CHECK	APPROVAL	PROJECT											



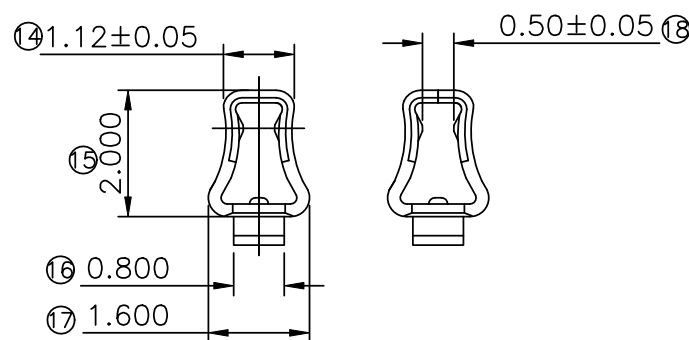
料带取消方孔



SECTION: A-A
SCALE: 1:1



SECTION: B-B
SCALE: 1:1



SECTION: C-C
SCALE: 1:1

■ Specifications :


- Voltage rating: 250V AC / DC
- Current rating: 3A AC / DC
- Withstanding voltage: 800V AC/minute
- Temperature range: -40°C~+105°C
- Insulation resistance: ≥1000MΩ
- Contact resistance: ≤10mΩ
- After environmental testing: ≤20mΩ

A2581 T X-P SN X-A

① ② ③ ④ ⑤ ⑥ ⑦

- ① Series No.
- ② Category: T-Terminal
- ③ Appearance type: Blank-Ordinary
- ④ Material: P-Phosphor bronze ; B-Brass
- ⑤ Plating Style: SN1-Bright Tin Plating
- ⑥ Plating Method : Blank-Stamping before Plating
- ⑦ Mold No./Mark/Special No.A

A2581T-PSN1-A	Phosphor Bronze	AWG#22-24	1.30mm(Max)	Stamping Before Plating:50~100u" Ni;100~180u"Sn	A2581H
PART NO	Material	Wire Range	Insulation O.D.	Finish	Used In ADZL Housing

							GENERAL TOLERANCE		 东莞市思量连接器有限公司 DONGGUAN ADZL CONNECTORS CO.,LTD.				PART NO. A2581T-PSN1-A			
							.X ±0.30 .XX ±0.20 .XXX ±0.10						TITLE 2.50 mm Crimp Style Connectors			
DATE	OLD REV	NEW REV	ECN	DESCRIPTION	CHECK	APPROVAL	PROJECT	APPROVAL	CHECK	DRAWN	DATA	UNIT MM	SCALE 1:1	NUMBER	REV C	
							⊗	Ken	Wisely He	Allen	2022/07/27					